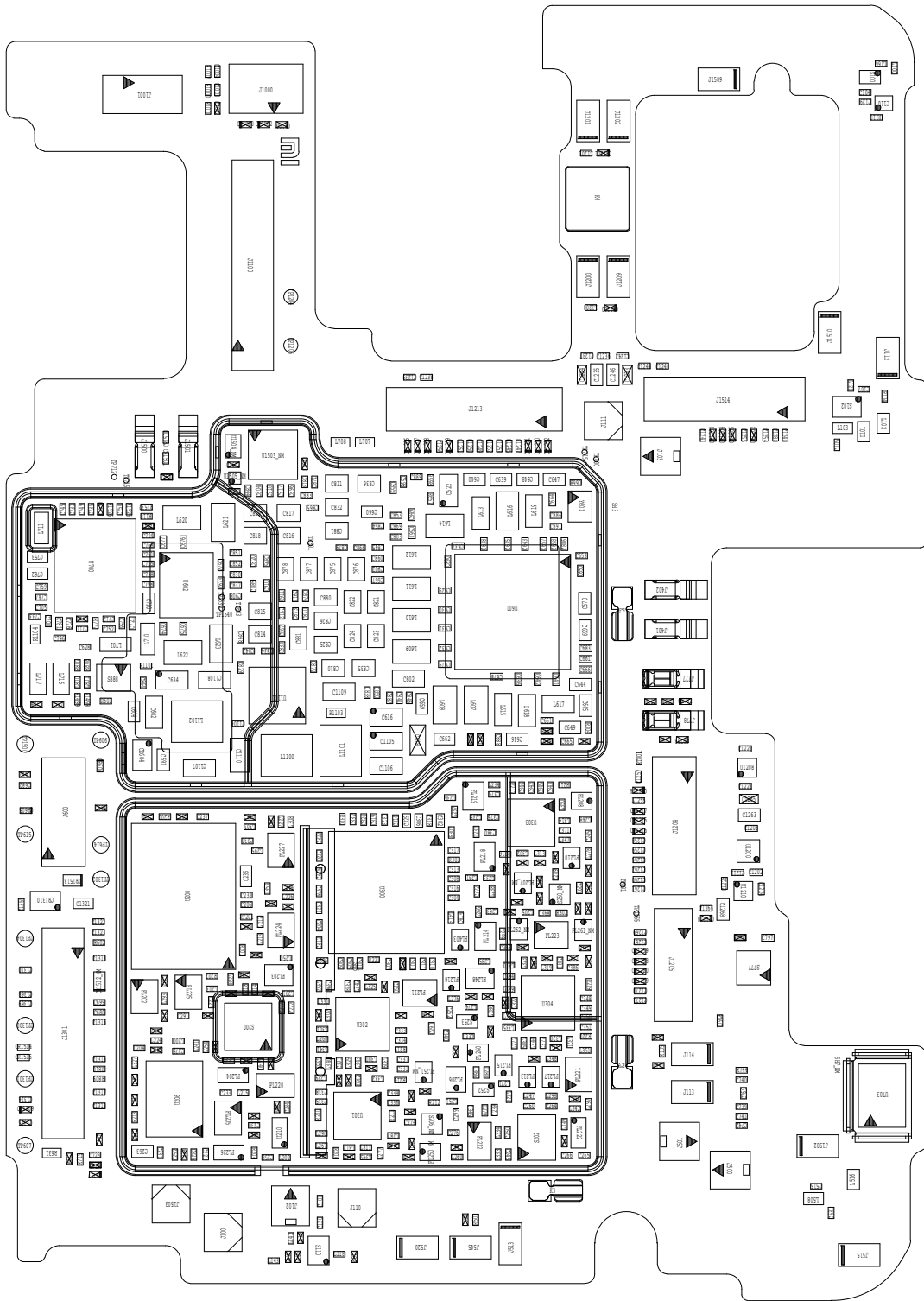
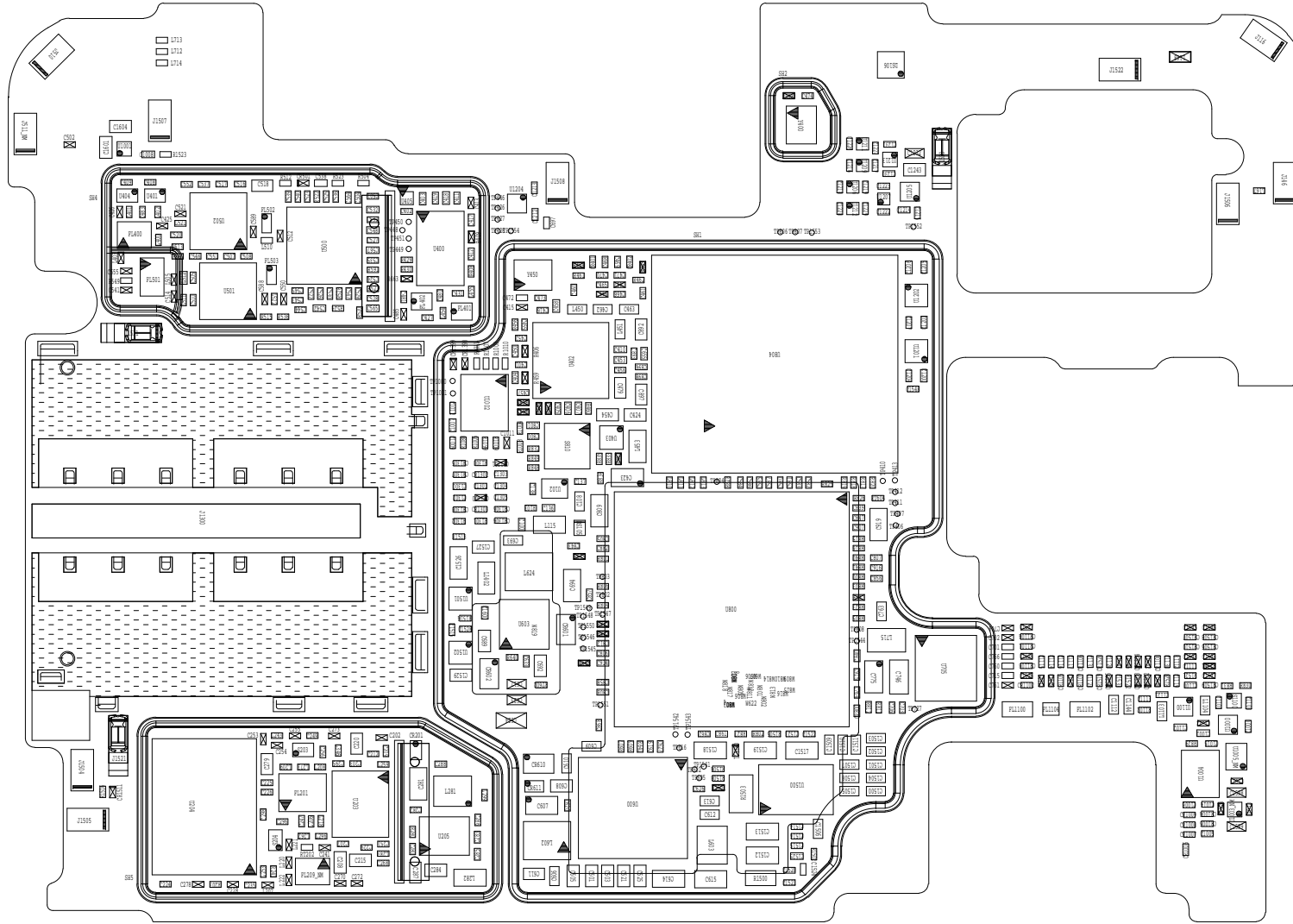


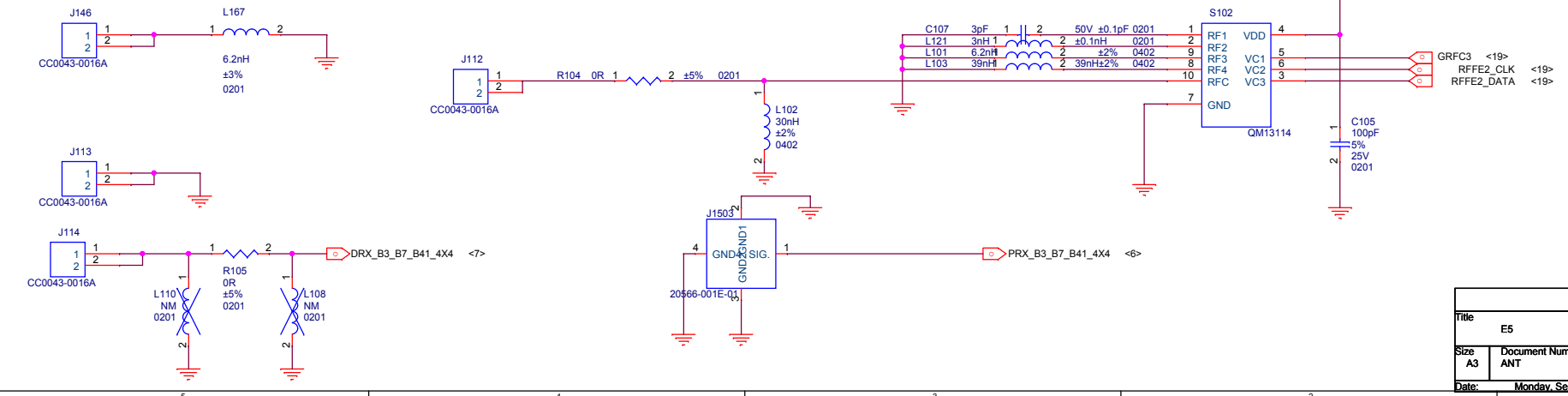
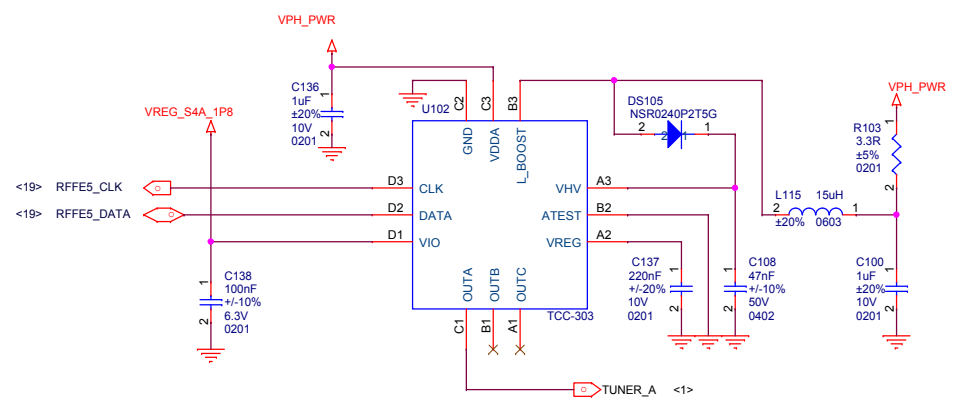
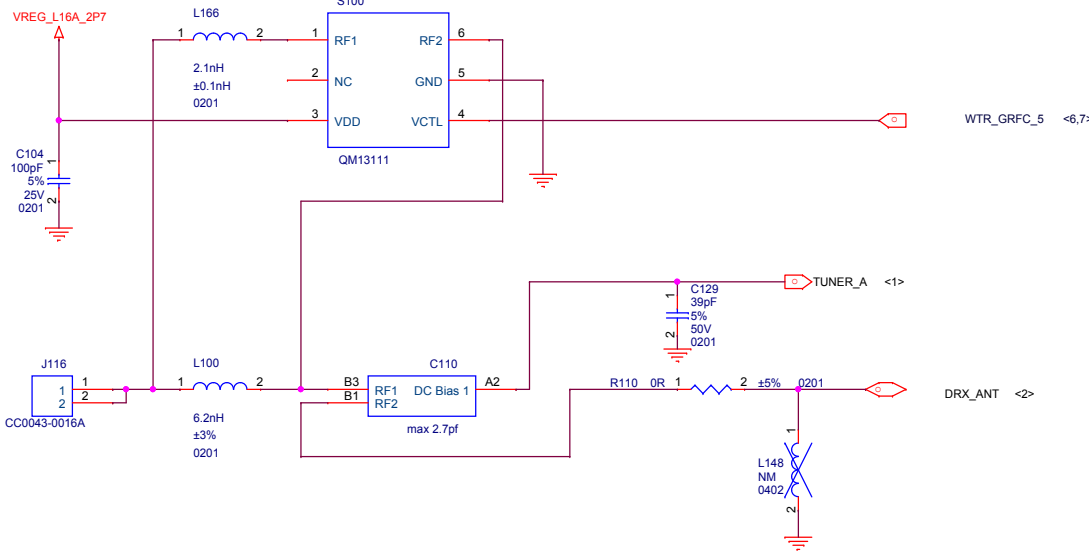
VIETMOBILE.VN



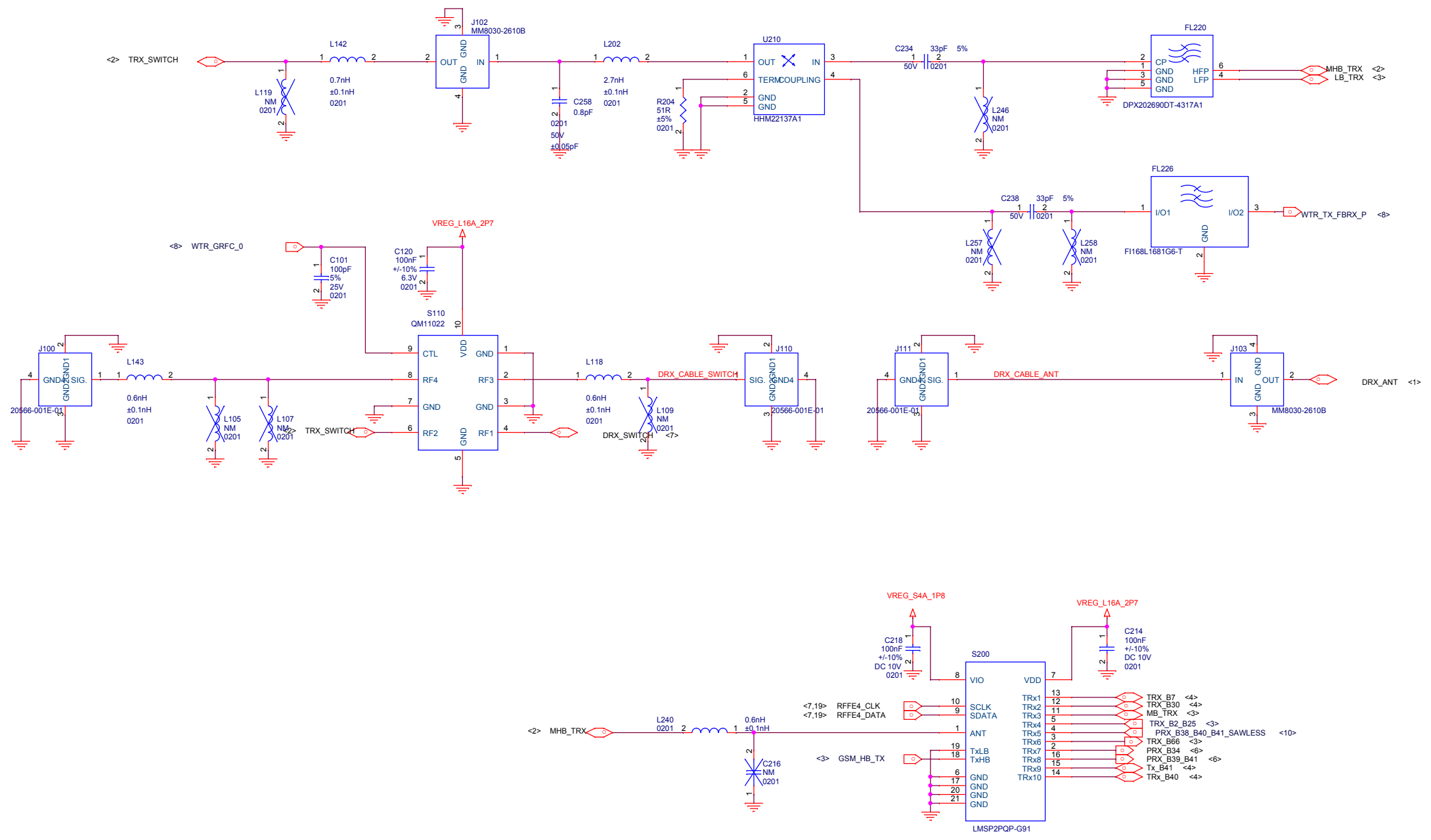
VIETMOBILE.VN



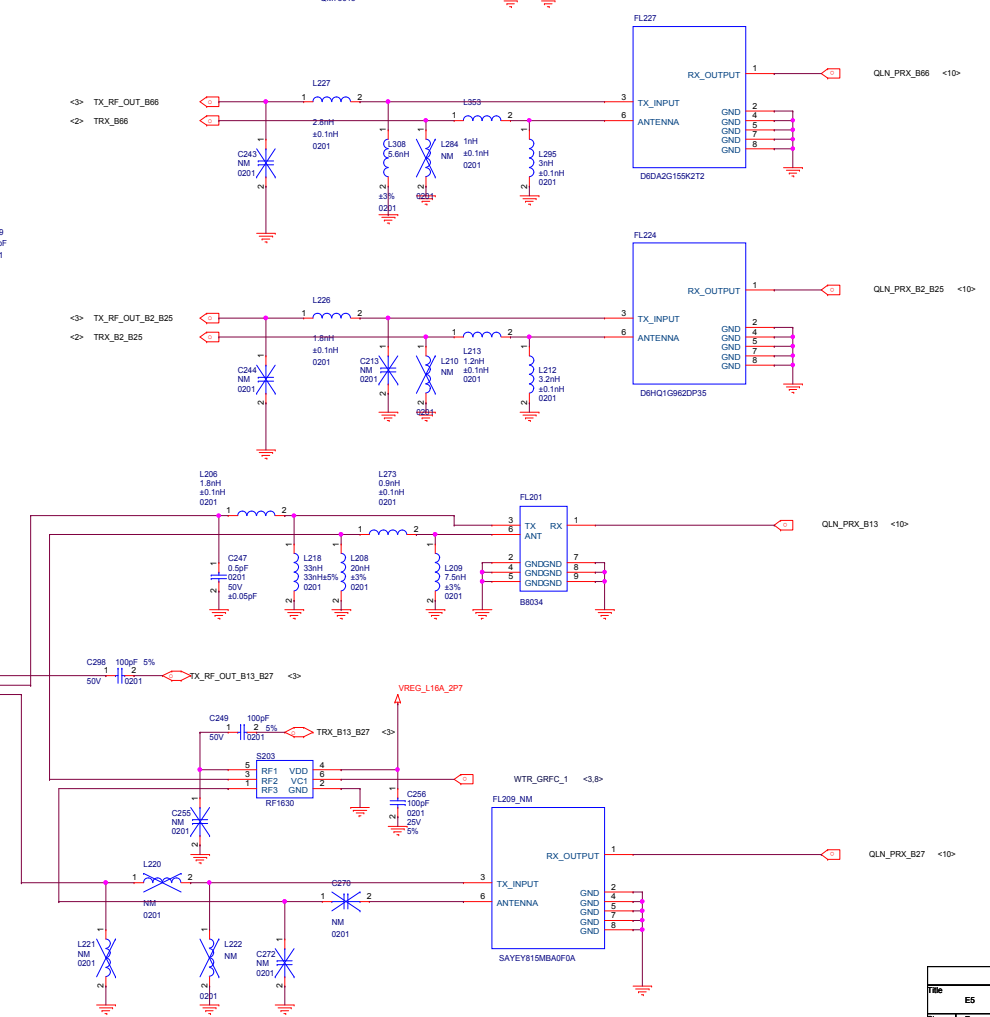
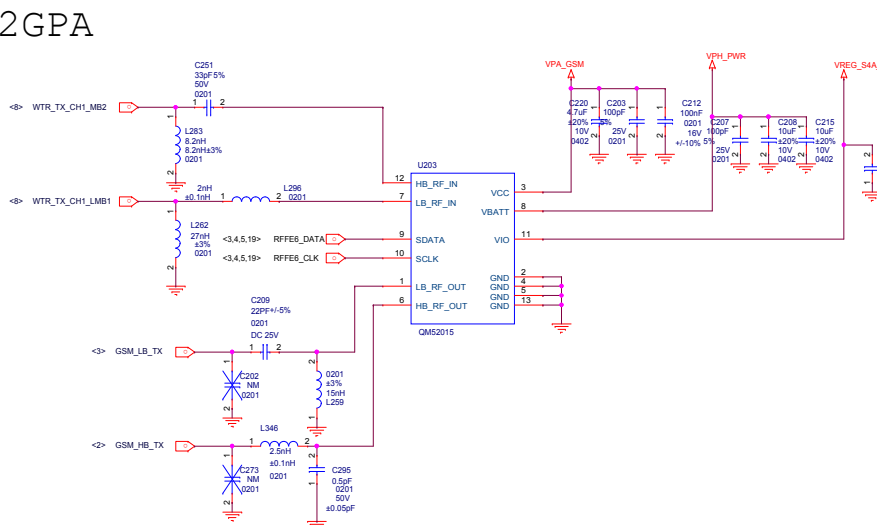
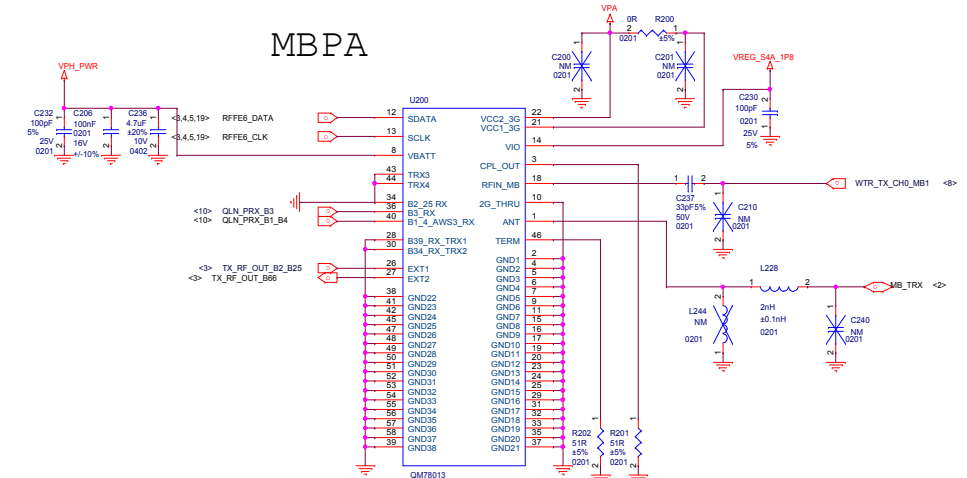
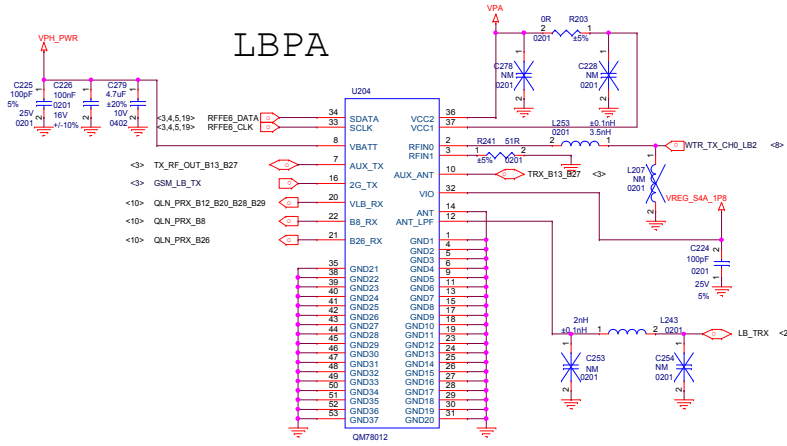
DRX_ANT

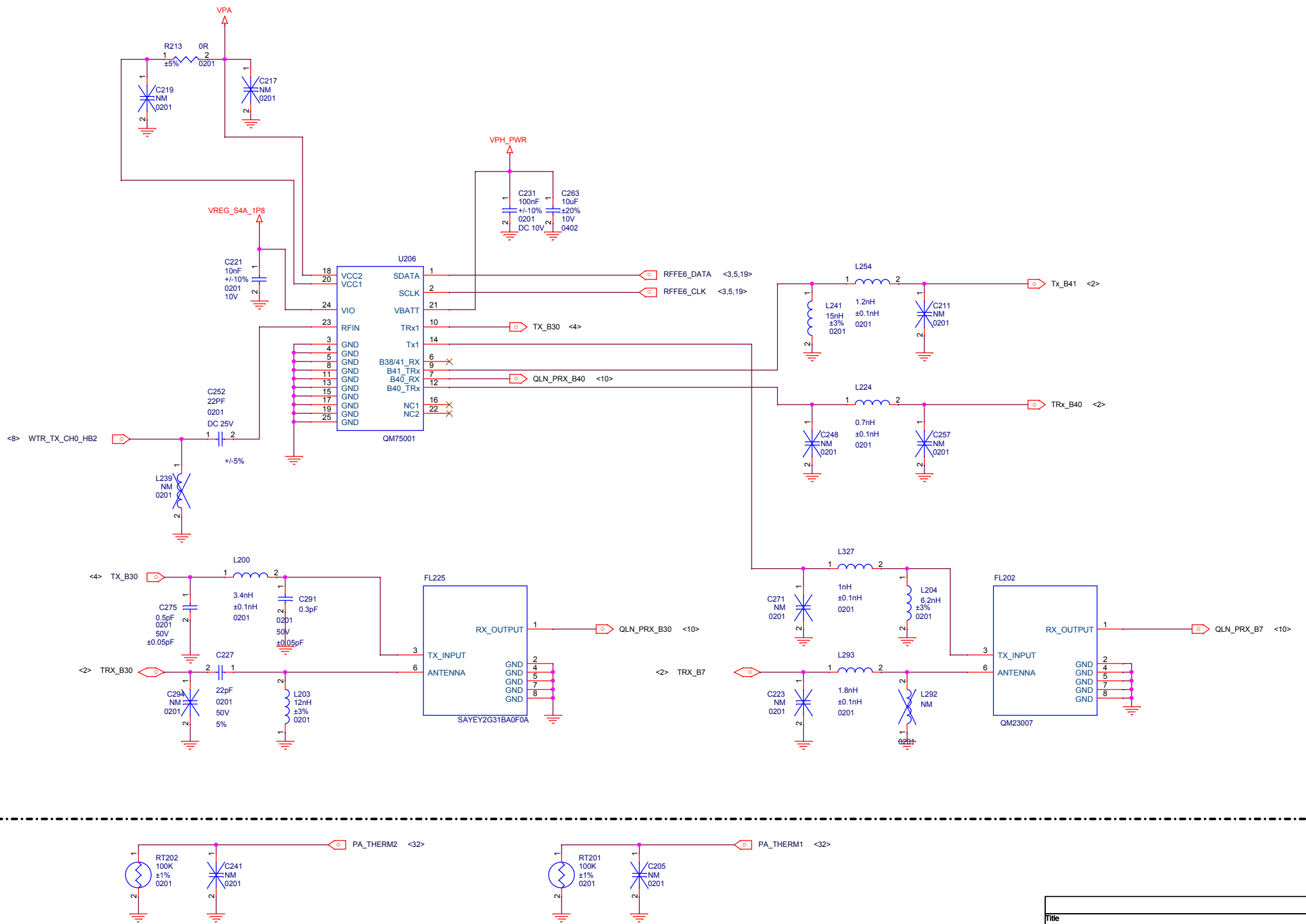


Title		
E5		
Size	Document Number	Rev
A3	ANT	
Date:	Monday, September 03, 2018	Sheet 1 of 45

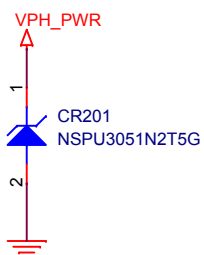
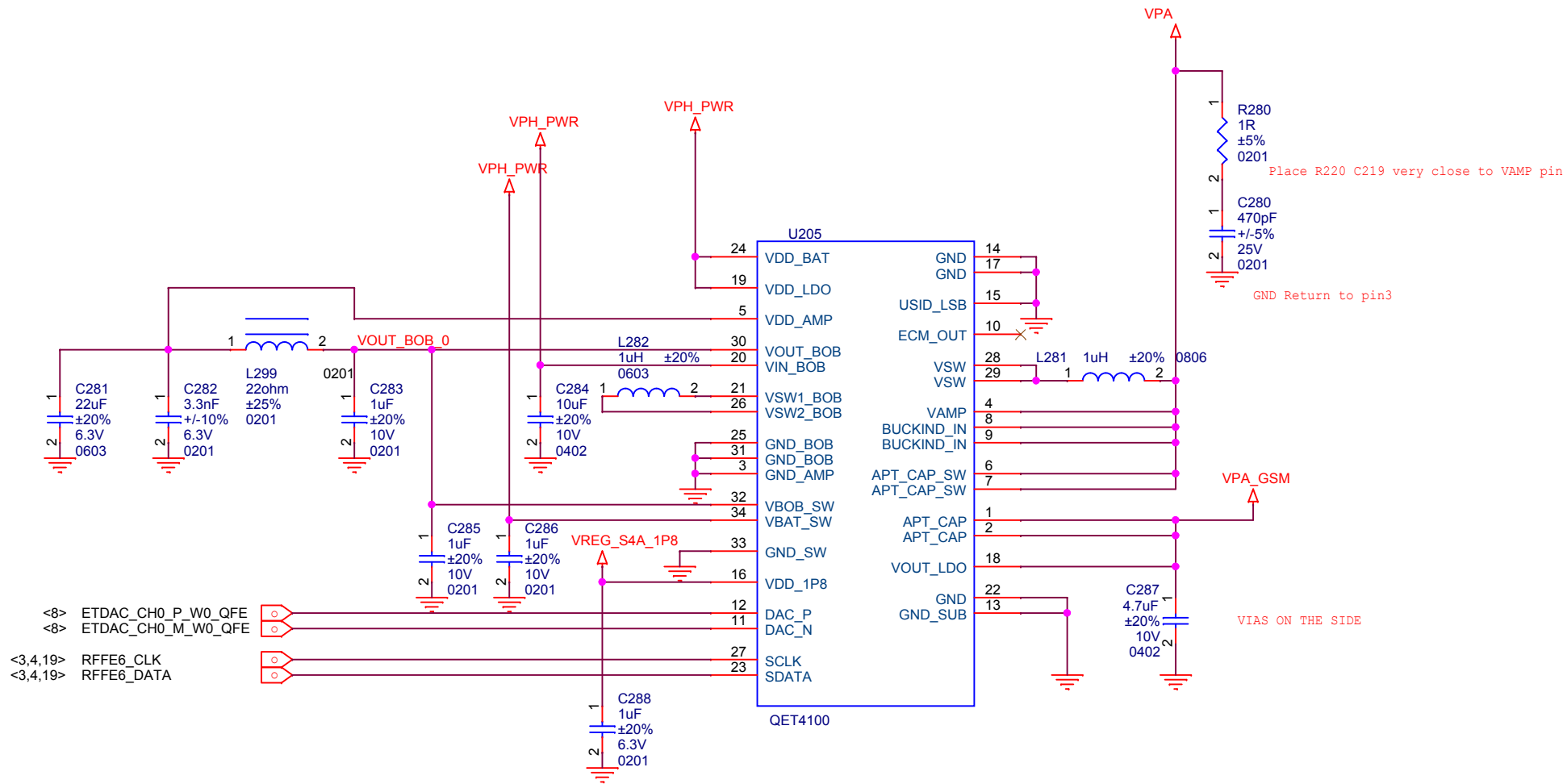


Title		E5
Size	Document Number	COUPLER&SWITCH
Date:	Monday, September 03, 2018	Sheet 2 of 45



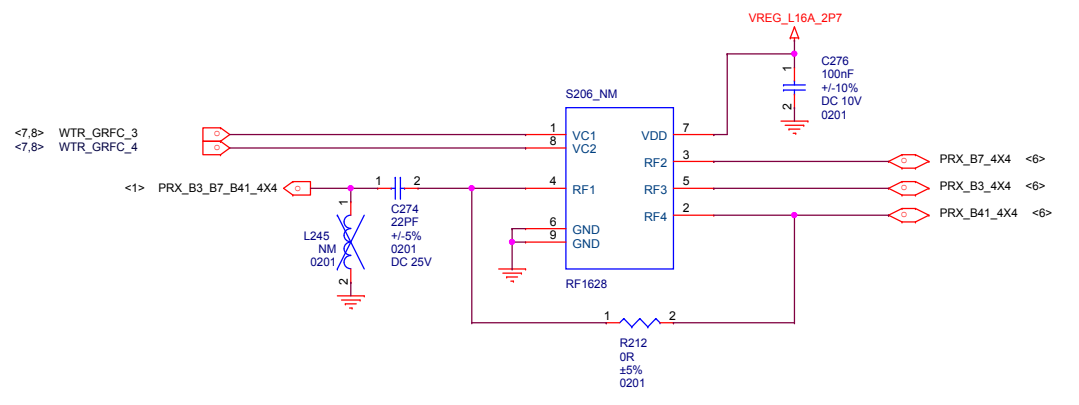
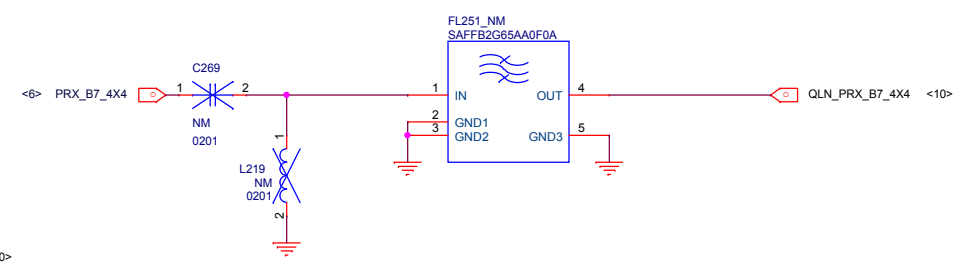
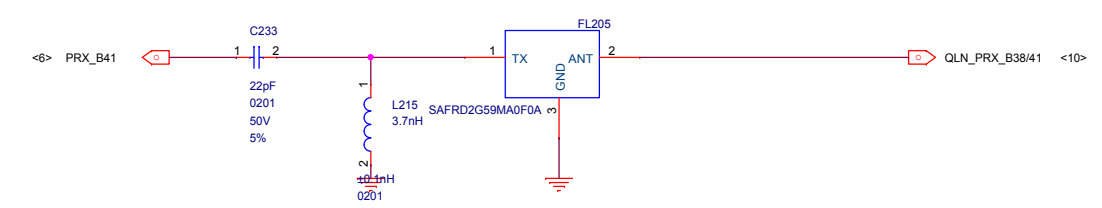
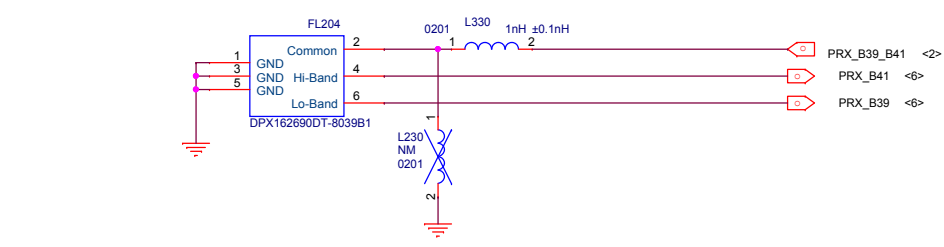
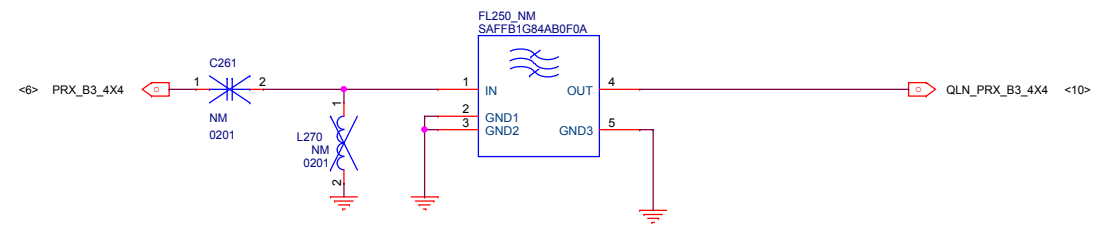
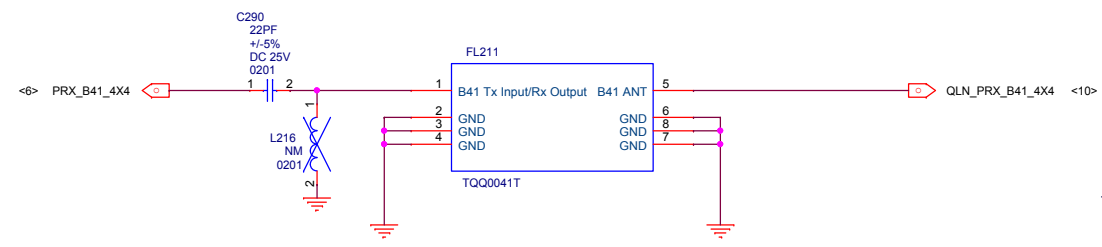
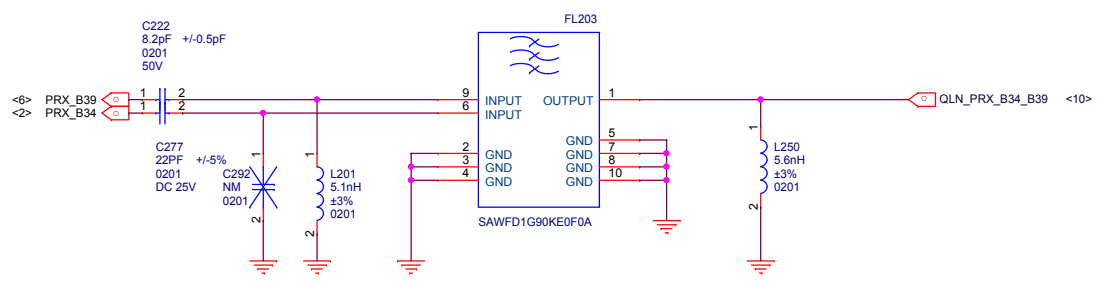


Title		
E5		
Size	Document Number	Rev
A3	HBPA	
Date:	Monday, September 03, 2018	Sheet 4 of 45

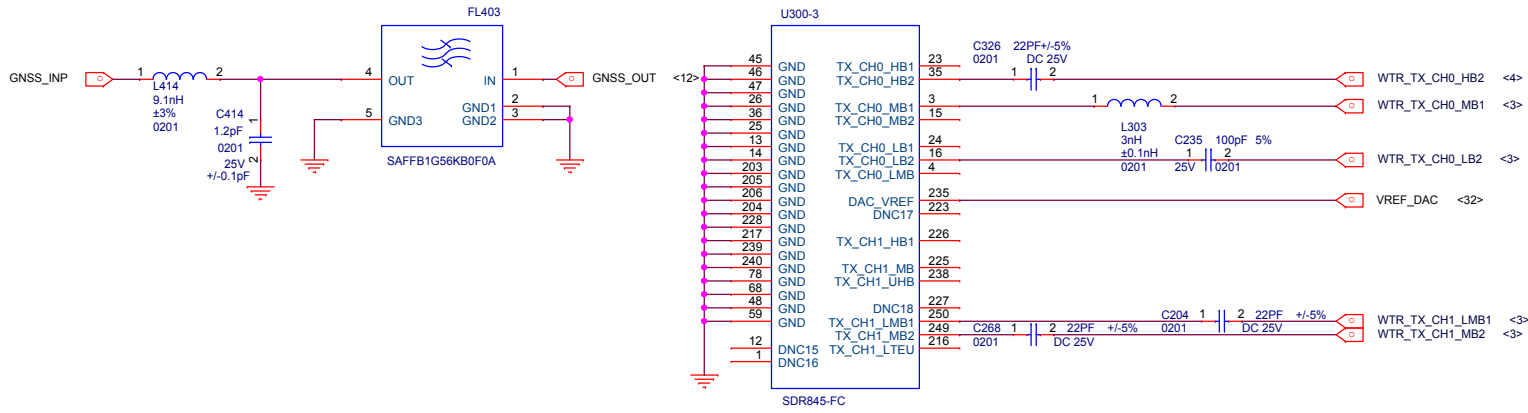
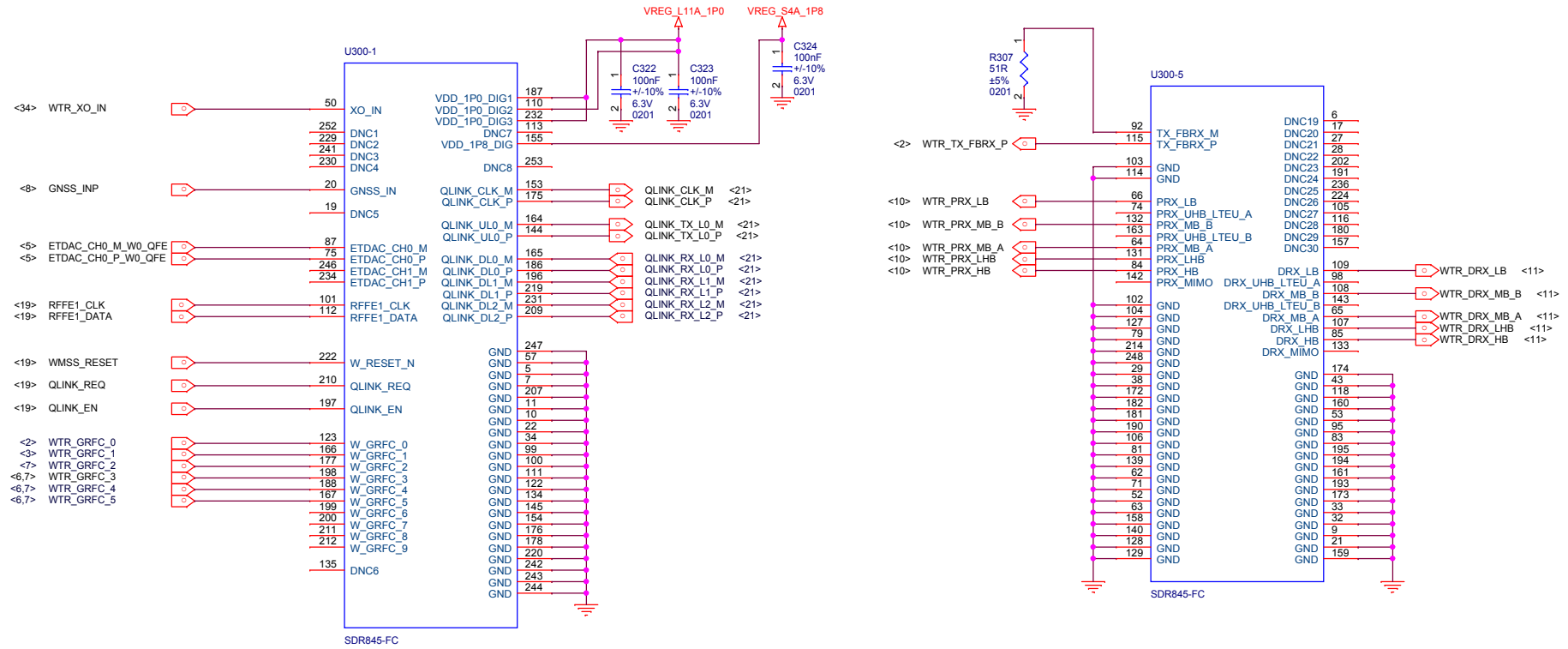


Title		
E5		
Size	Document Number	Rev
A4	QFE4100	
Date:	Monday, September 03, 2018	Sheet 5 of 45

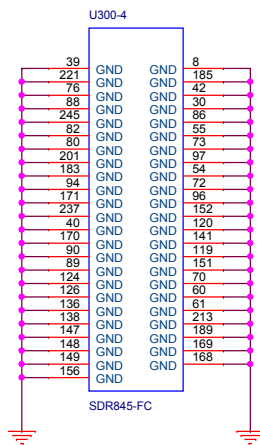
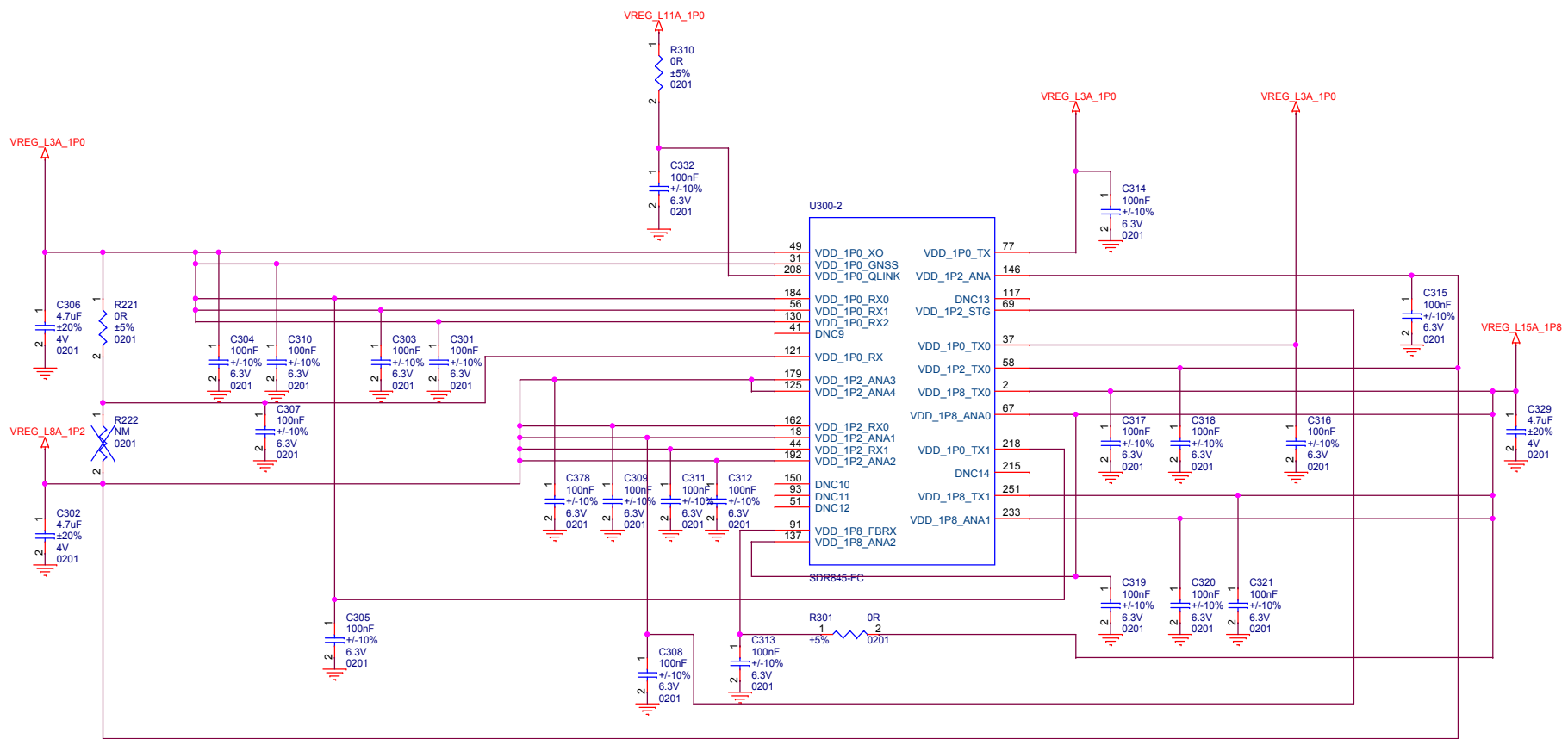
PRX B34 B39 B41



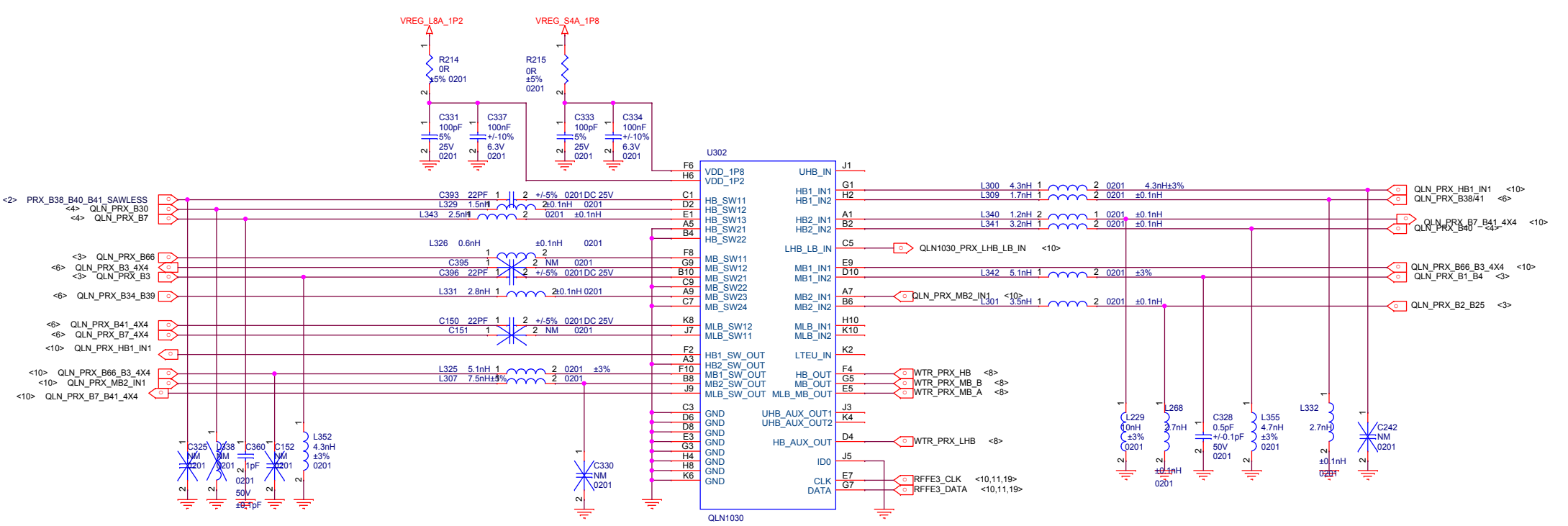
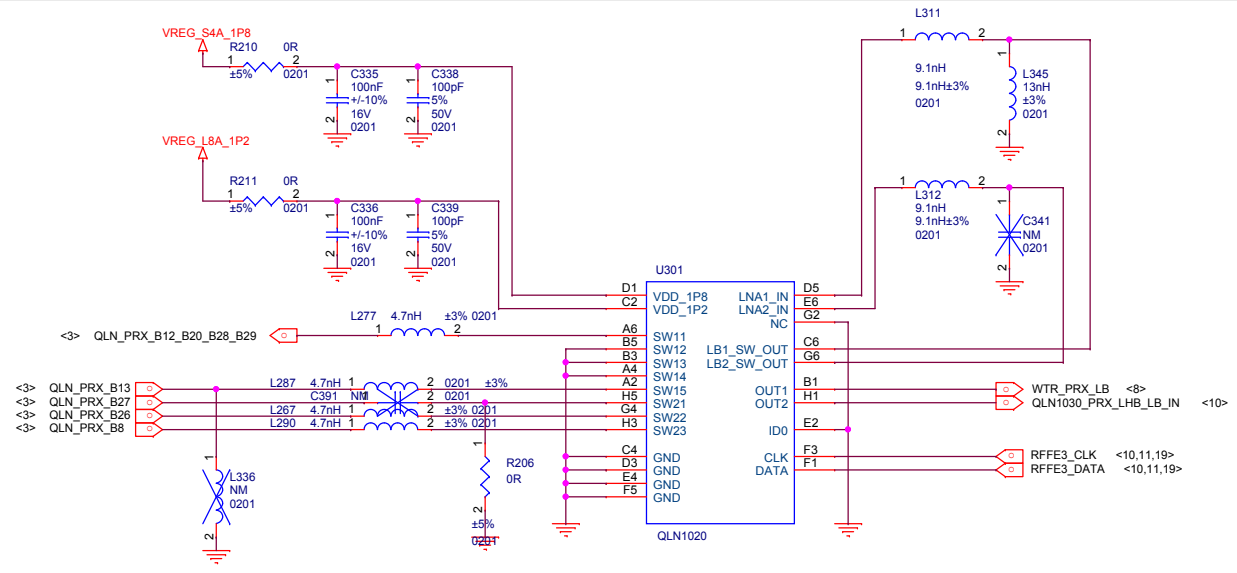
Title		
E5		
Size	Document Number	Rev
A3	PRX	
Date:	Monday, September 03, 2018	Sheet 6 of 45



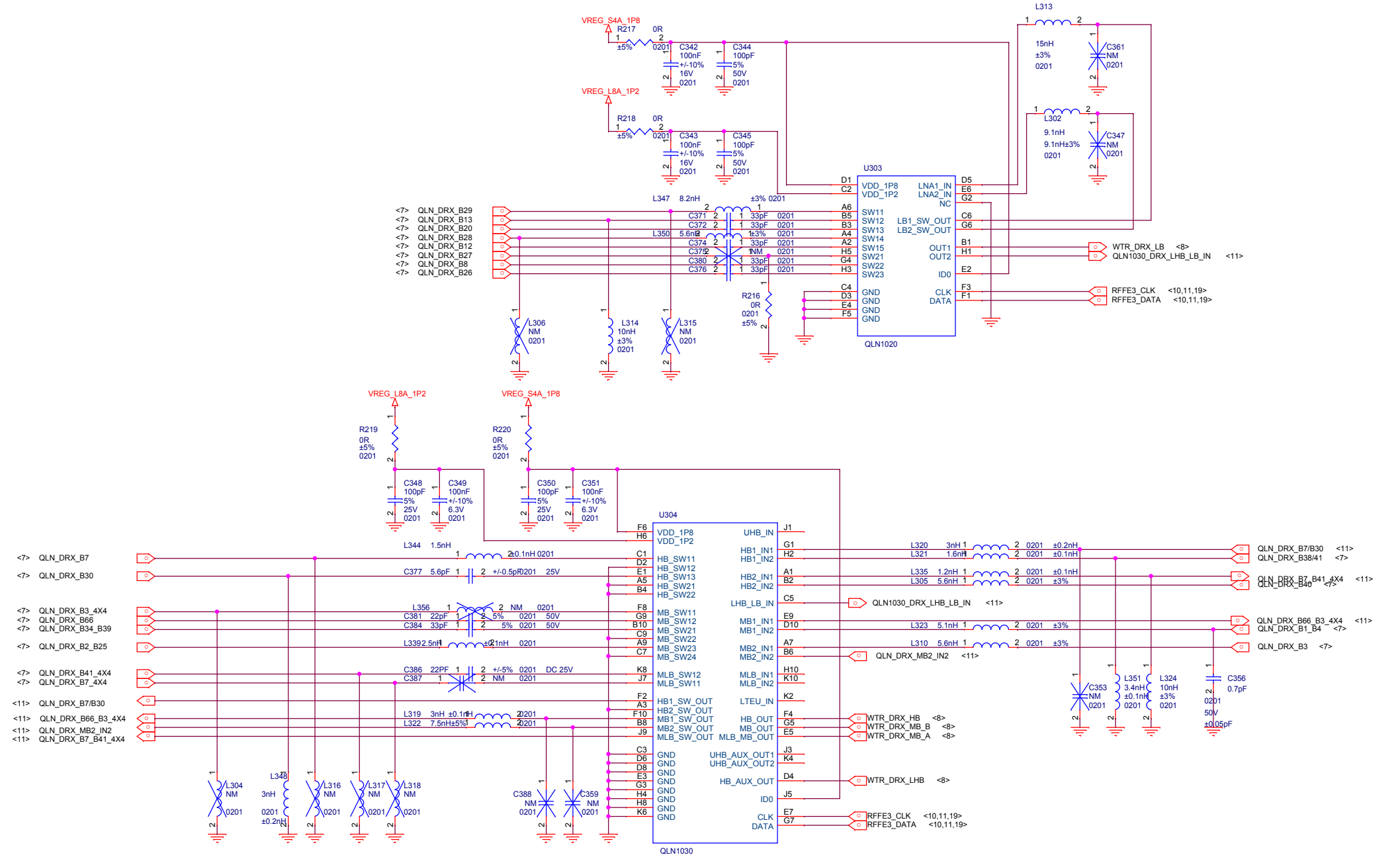
Title		
E5		
Size	Document Number	Rev
A3	WTR5975 MSS	
Date:	Monday, September 03, 2018	Sheet 8 of 45



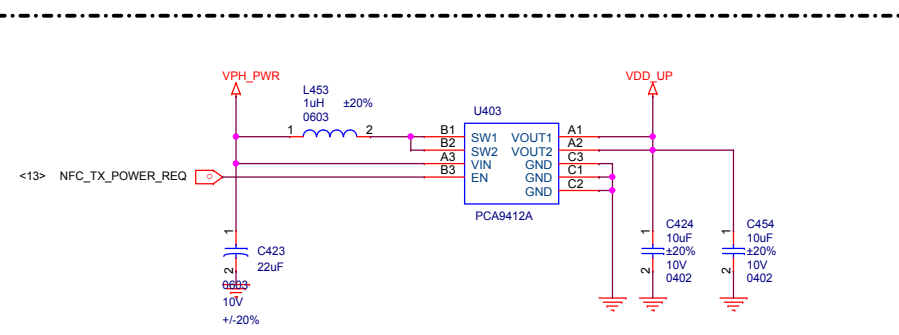
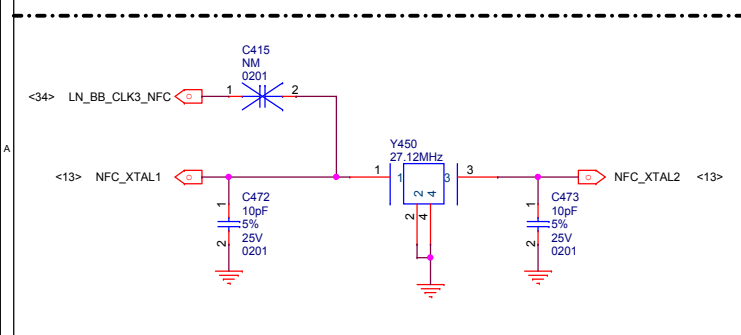
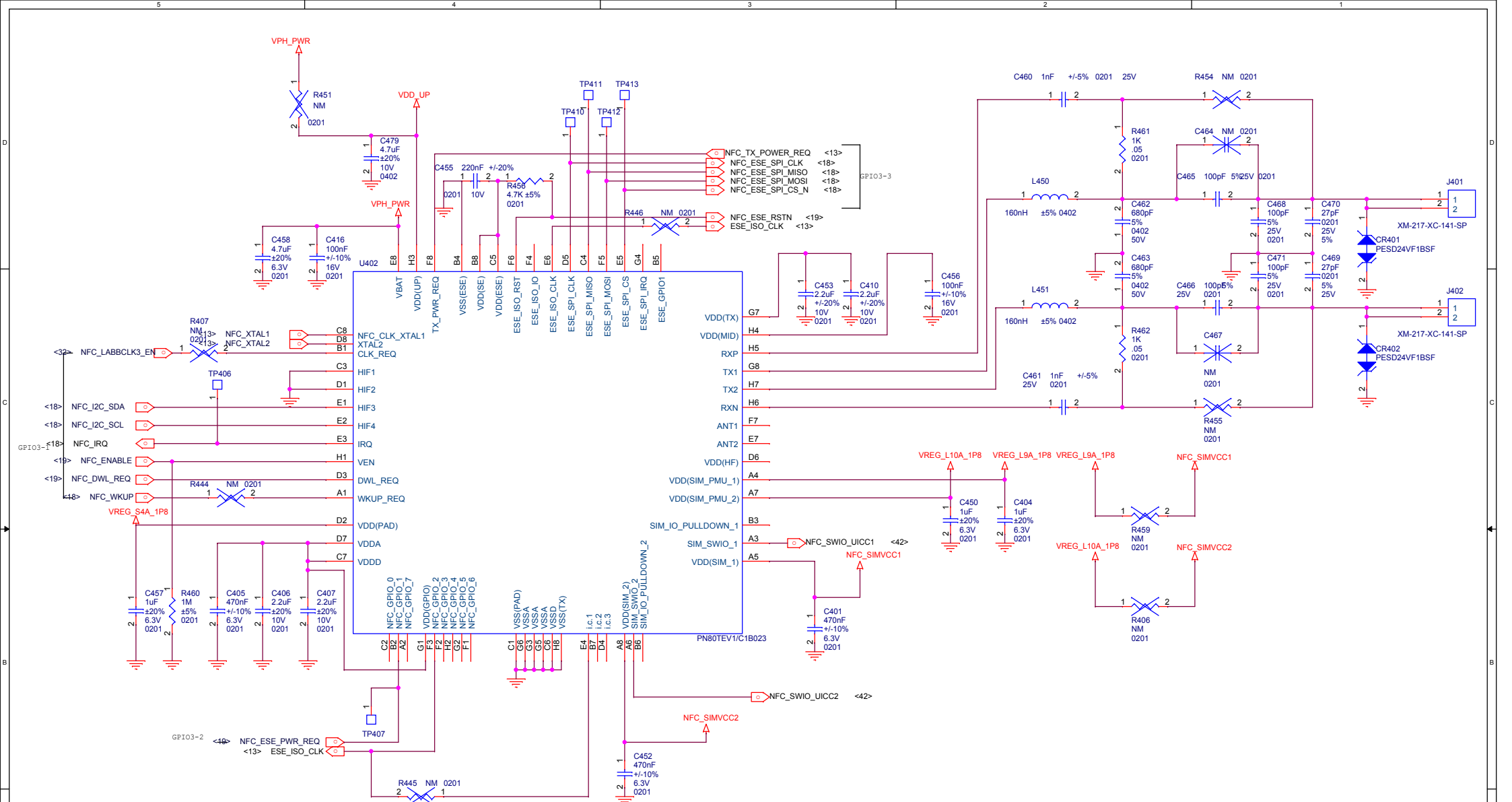
Title		E5	
Size	A3	Document Number	WTR5975 POWER
Date:	Monday, September 03, 2018	Sheet	9 of 45
		Rev	P1B



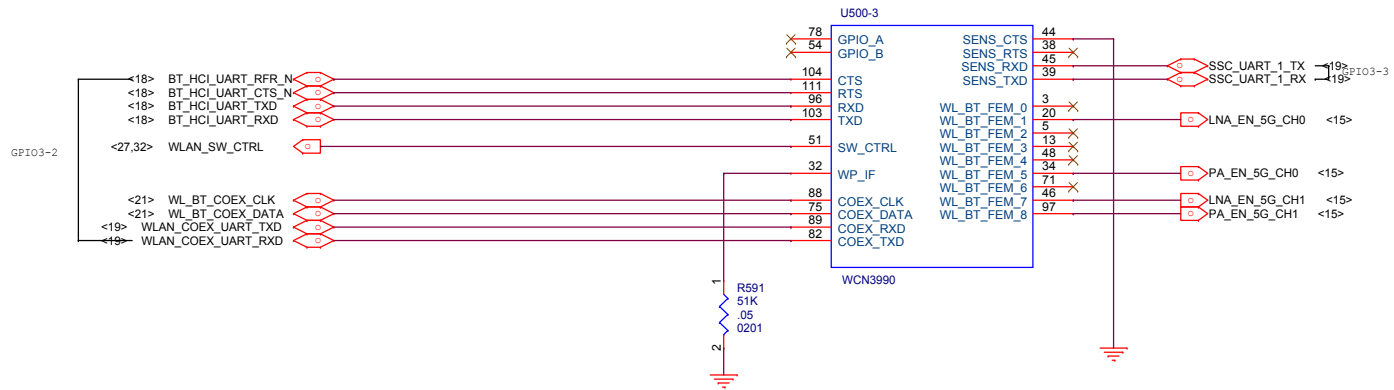
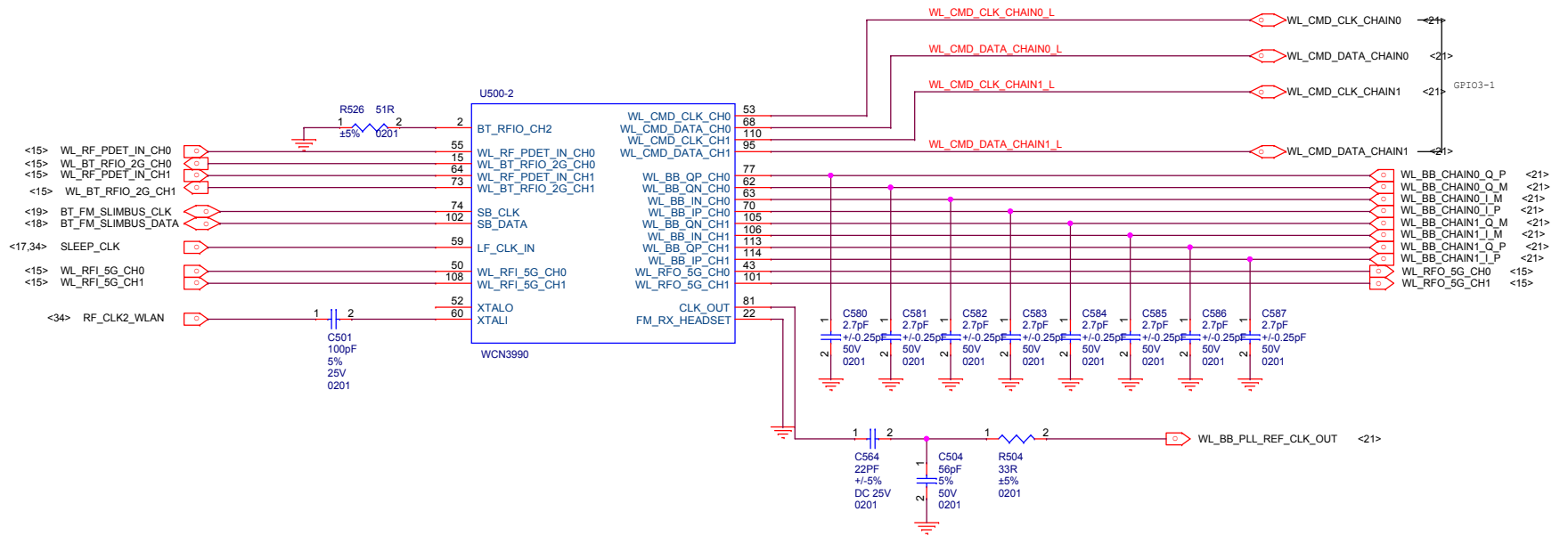
Title			E5
Size	Document Number		Rev
A3	QLN PRX		P1B
Date:	Monday, September 03, 2018	Sheet	10 of 45

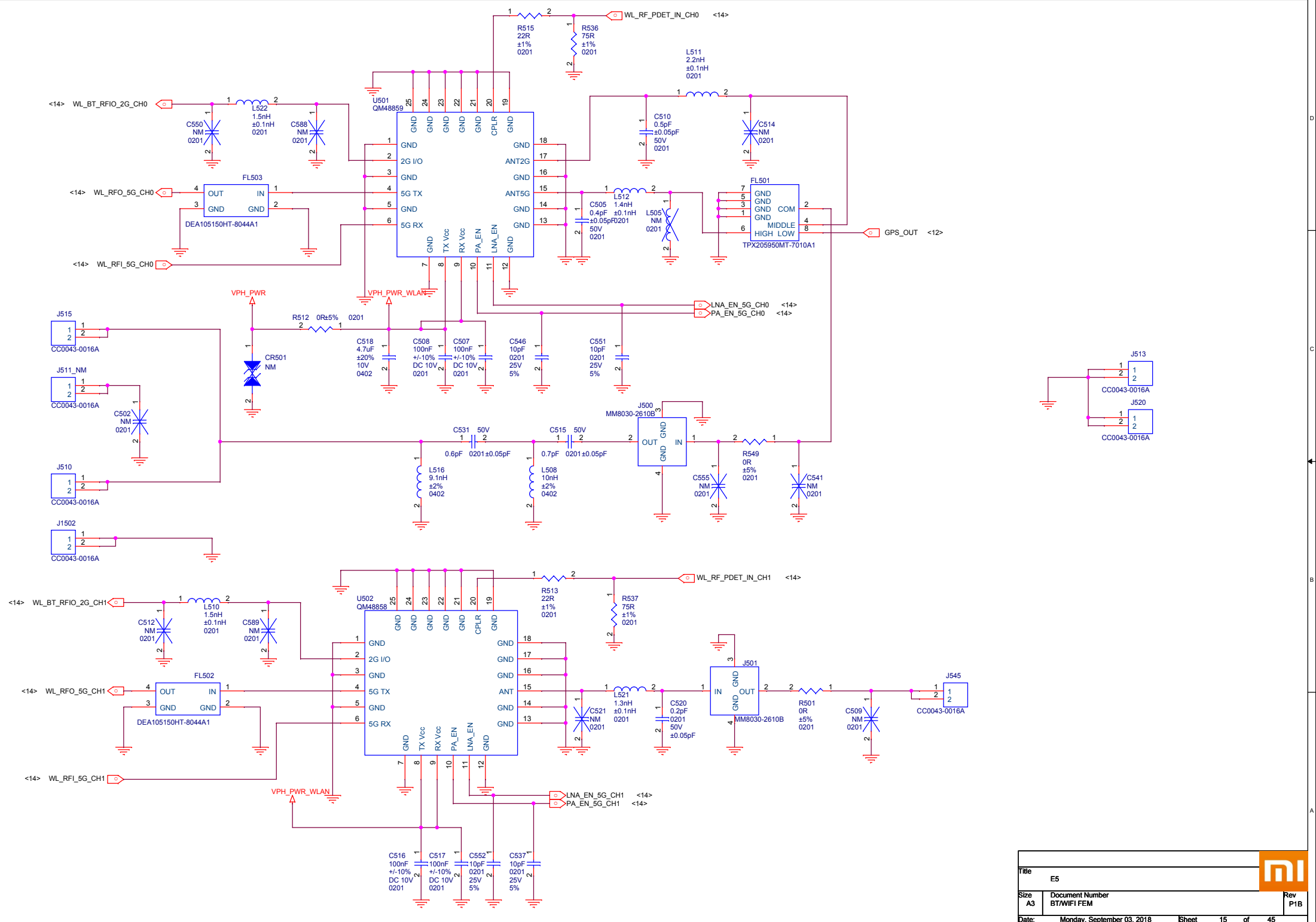


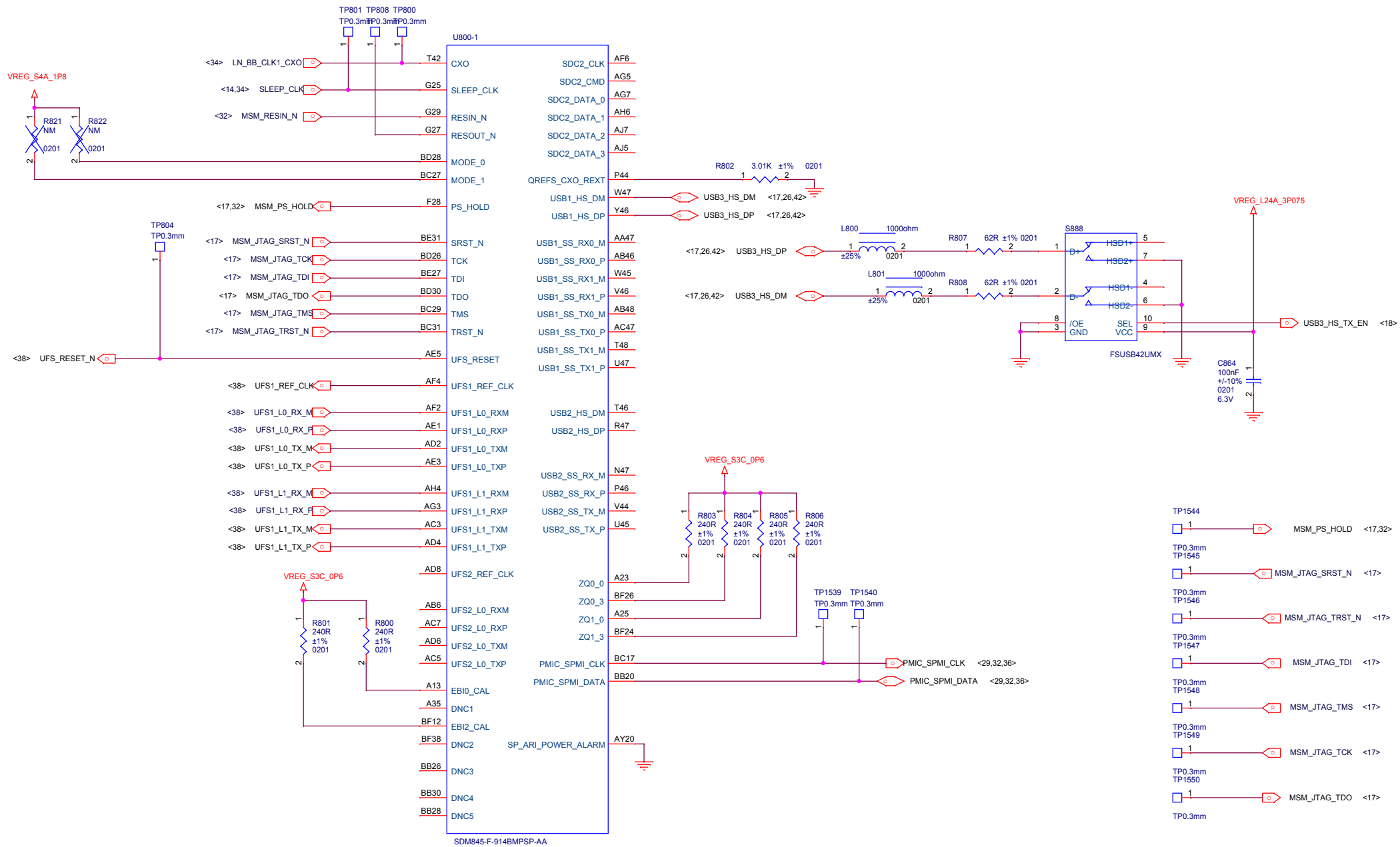
Title		
E5		
Size	Document Number	Rev
A3	QLN DRX	P1B
Date:	Monday, September 03, 2018	Sheet 11 of 45

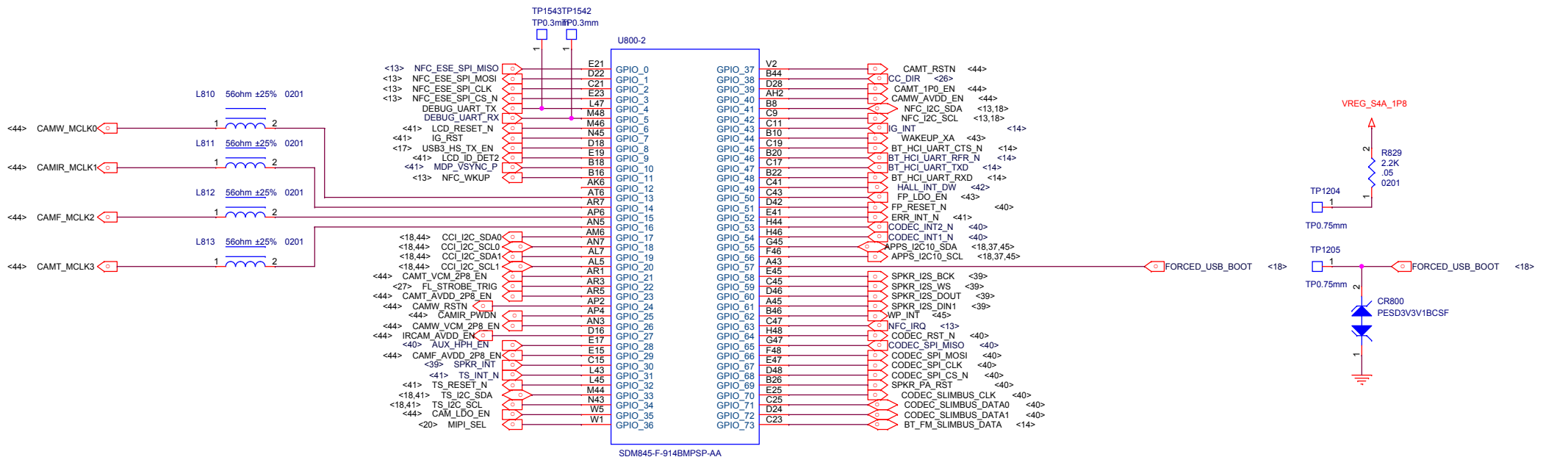


Title		E5	
Size	A3	Document Number	NFC
Date:	Monday, September 03, 2018	Sheet	13 of 45
			Rev P1B

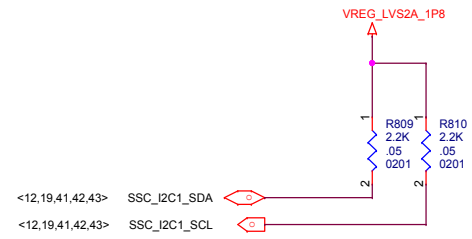




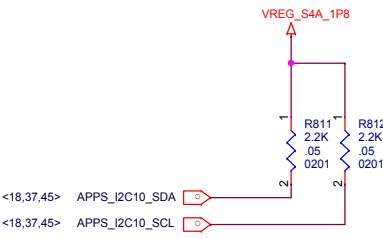




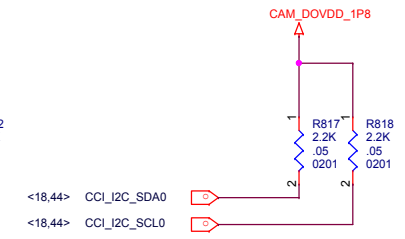
SENSOR



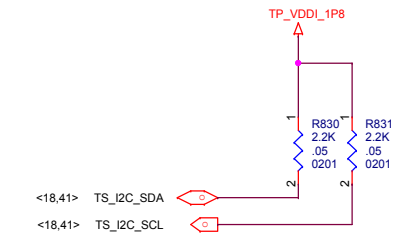
APPS



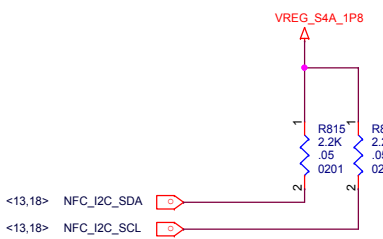
REAR CAMERA



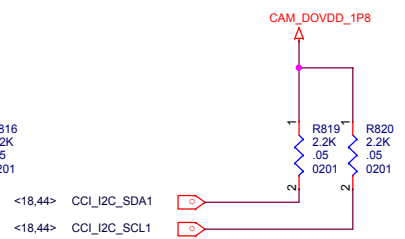
TP&PF PRESSURE



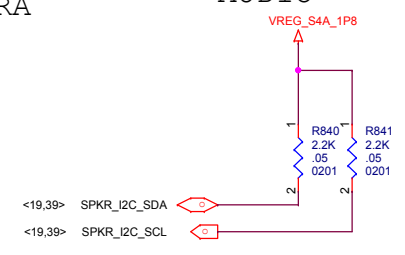
NFC



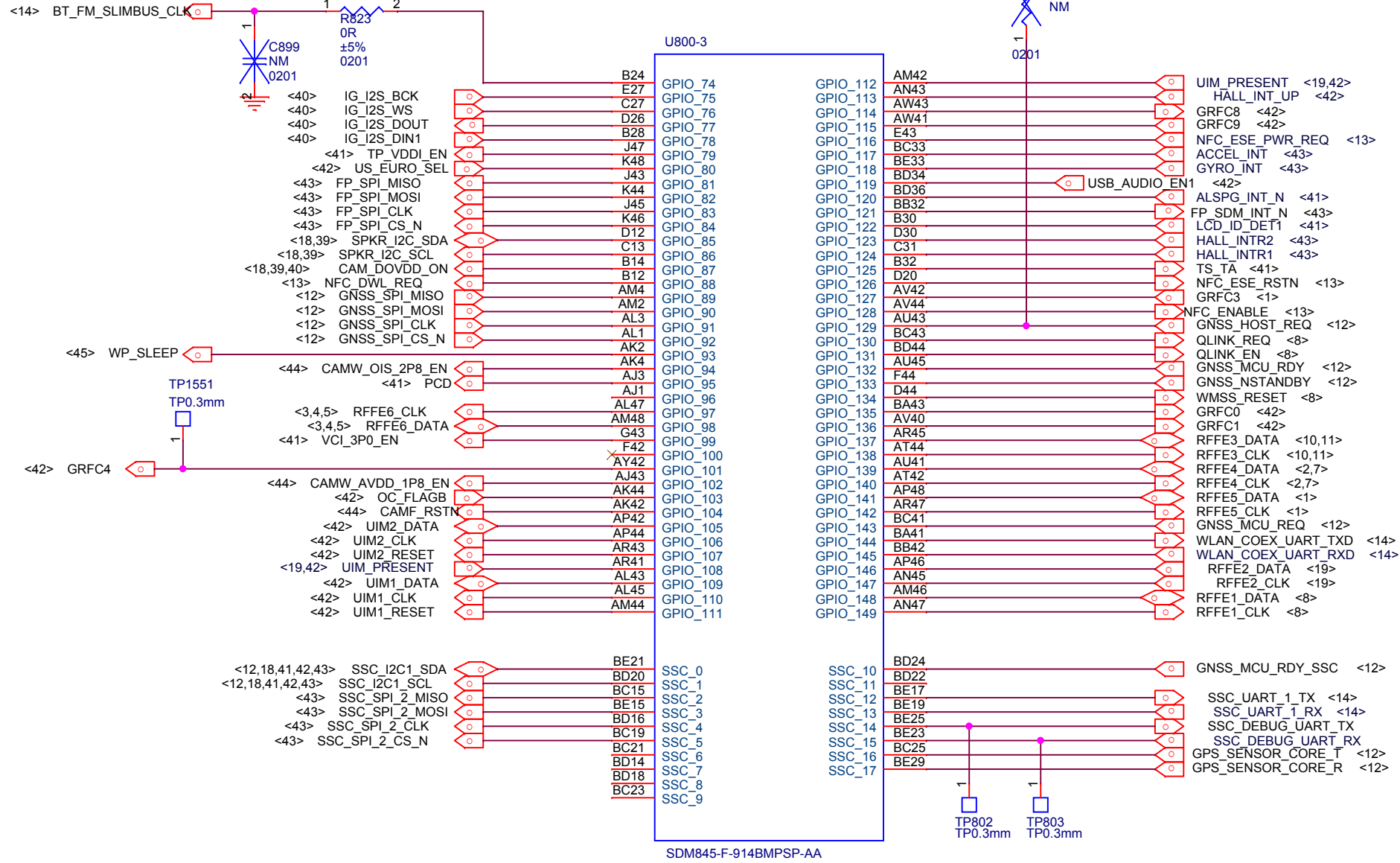
FRONT CAMERA

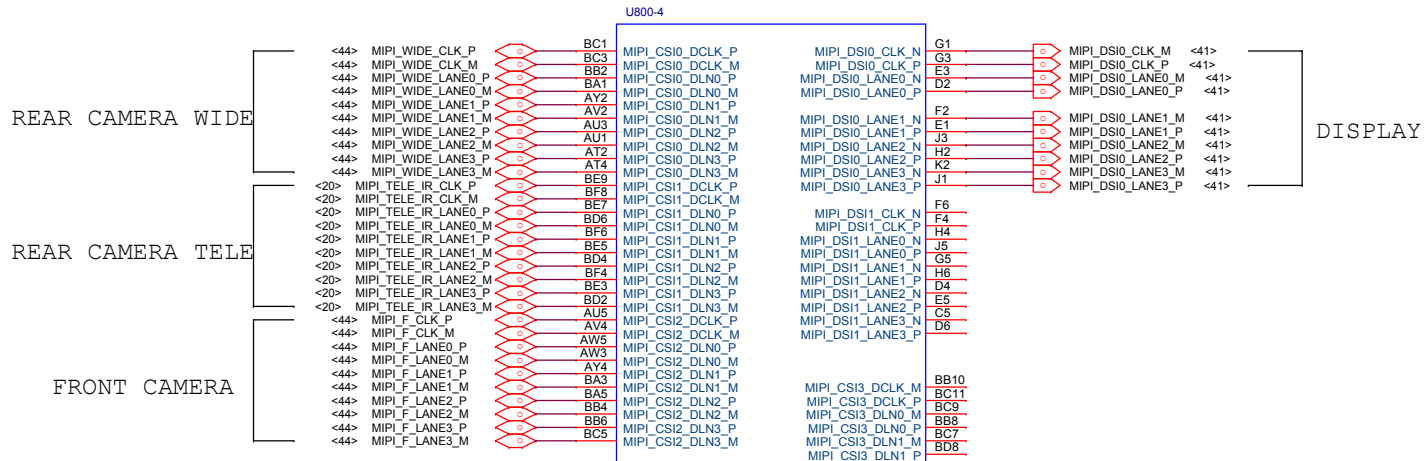


AUDIO

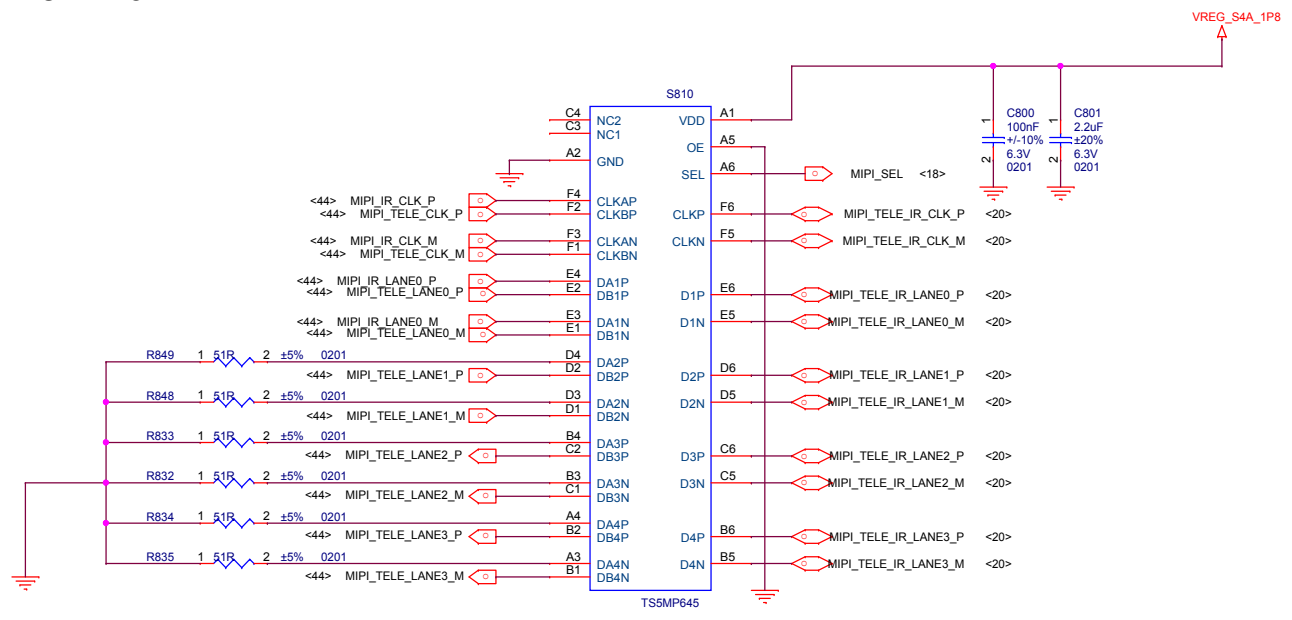


Title		E5	
Size	Document Number	SDM845 GPIO1	
Date:	Monday, September 03, 2018	Sheet	18 of 45

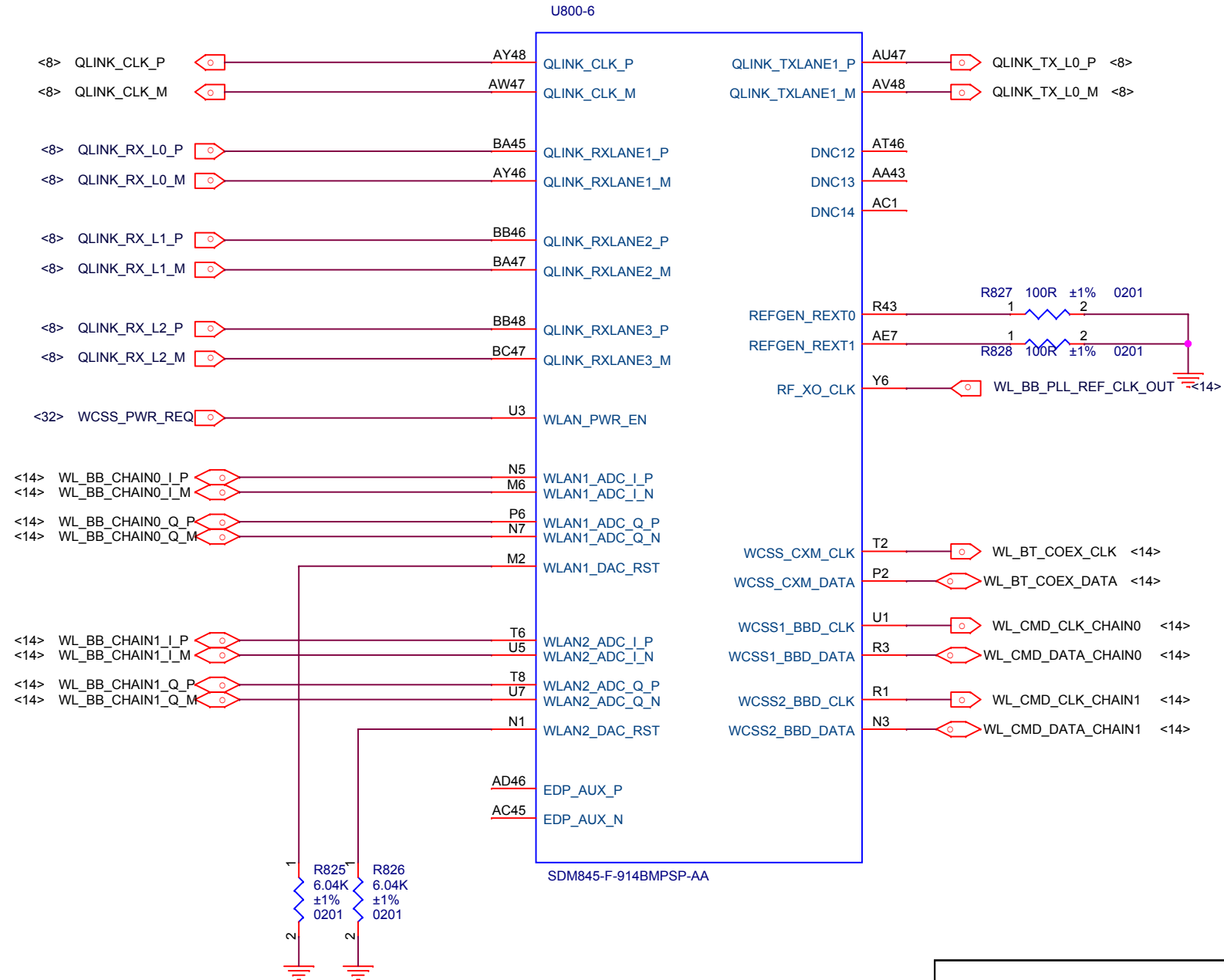




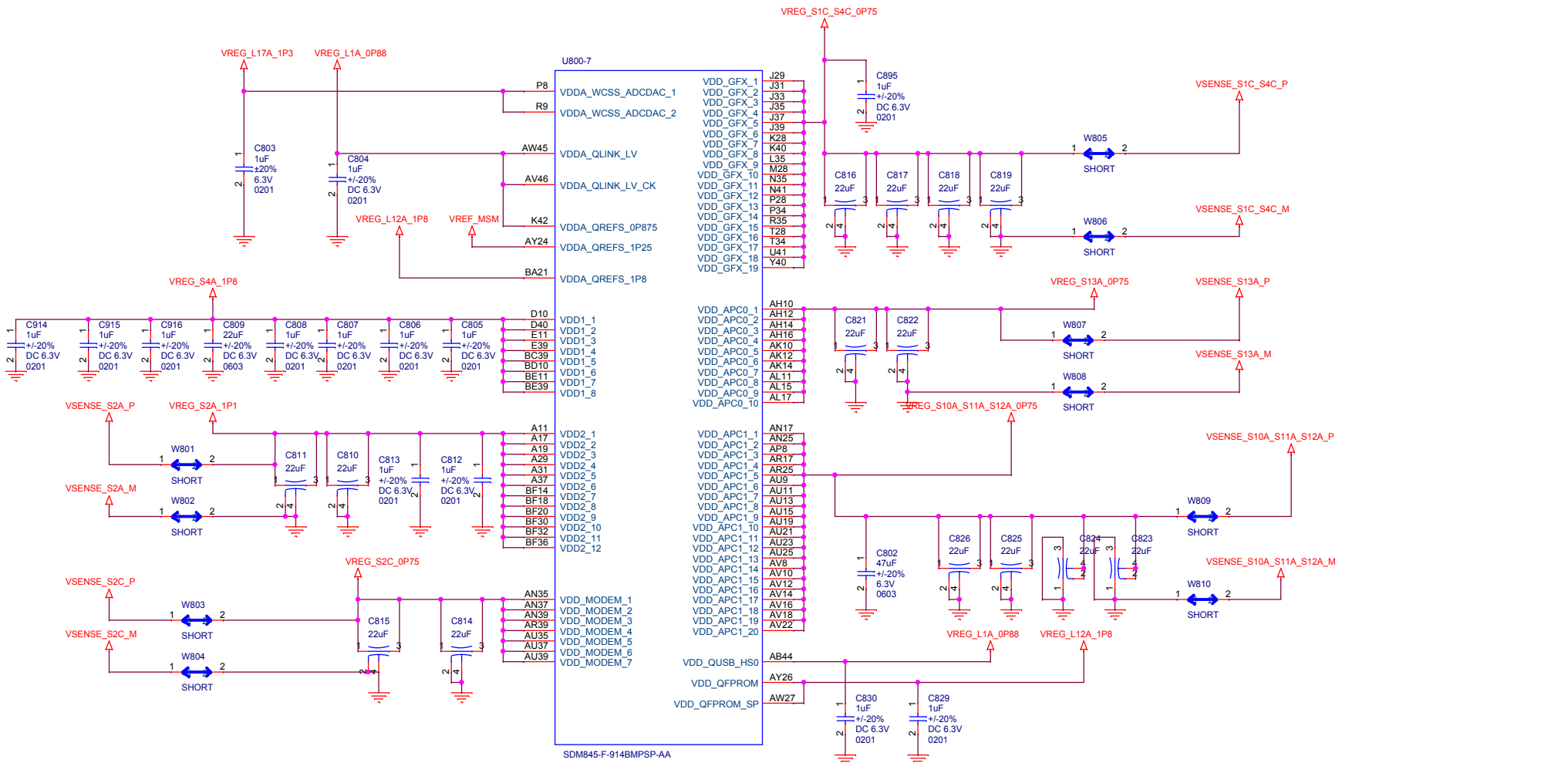
TELE-IR SWITCH

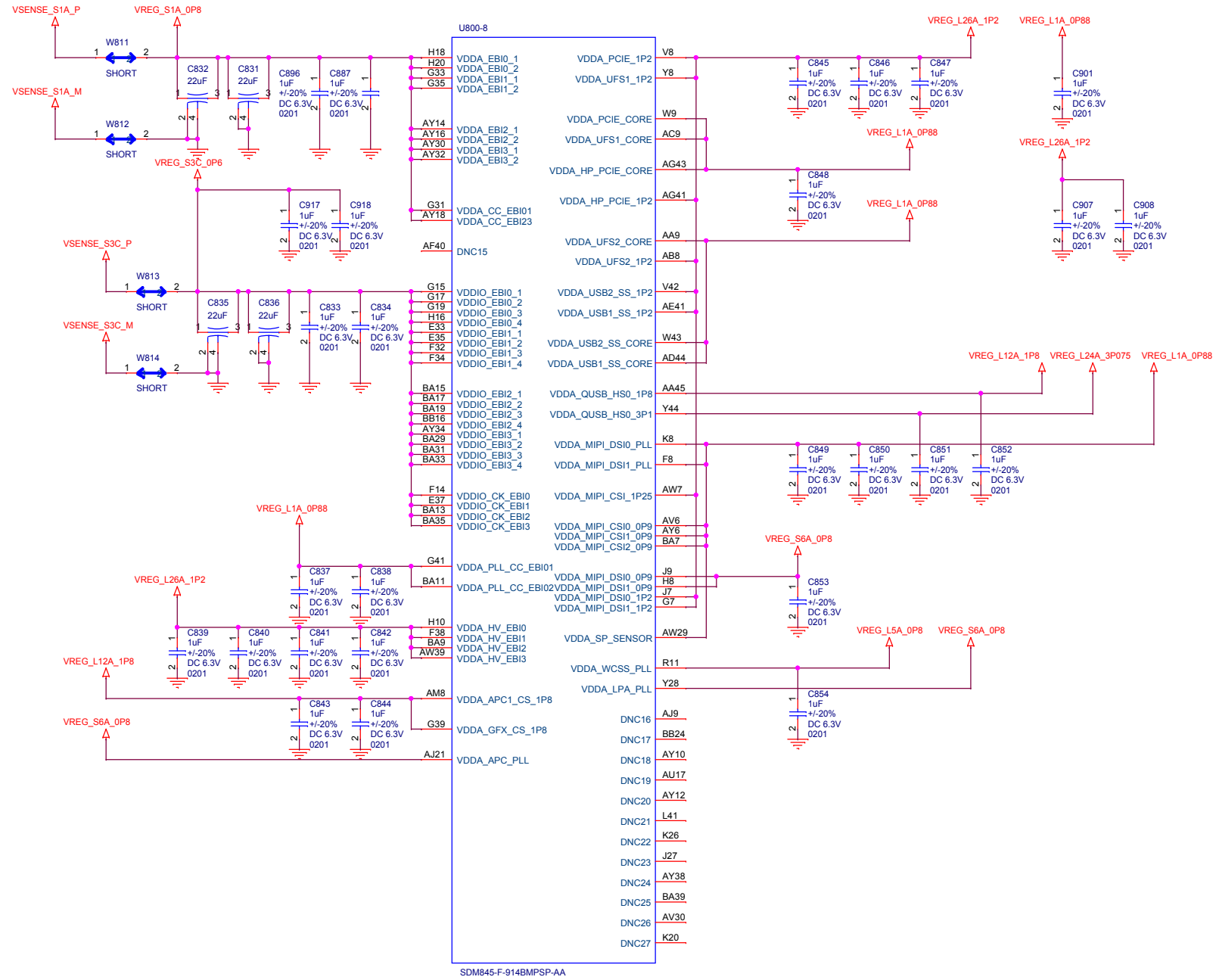


Title		E5	
Size	Document Number	SDM845 MIPI	
Date:	Monday, September 03, 2018	Sheet	20 of 45




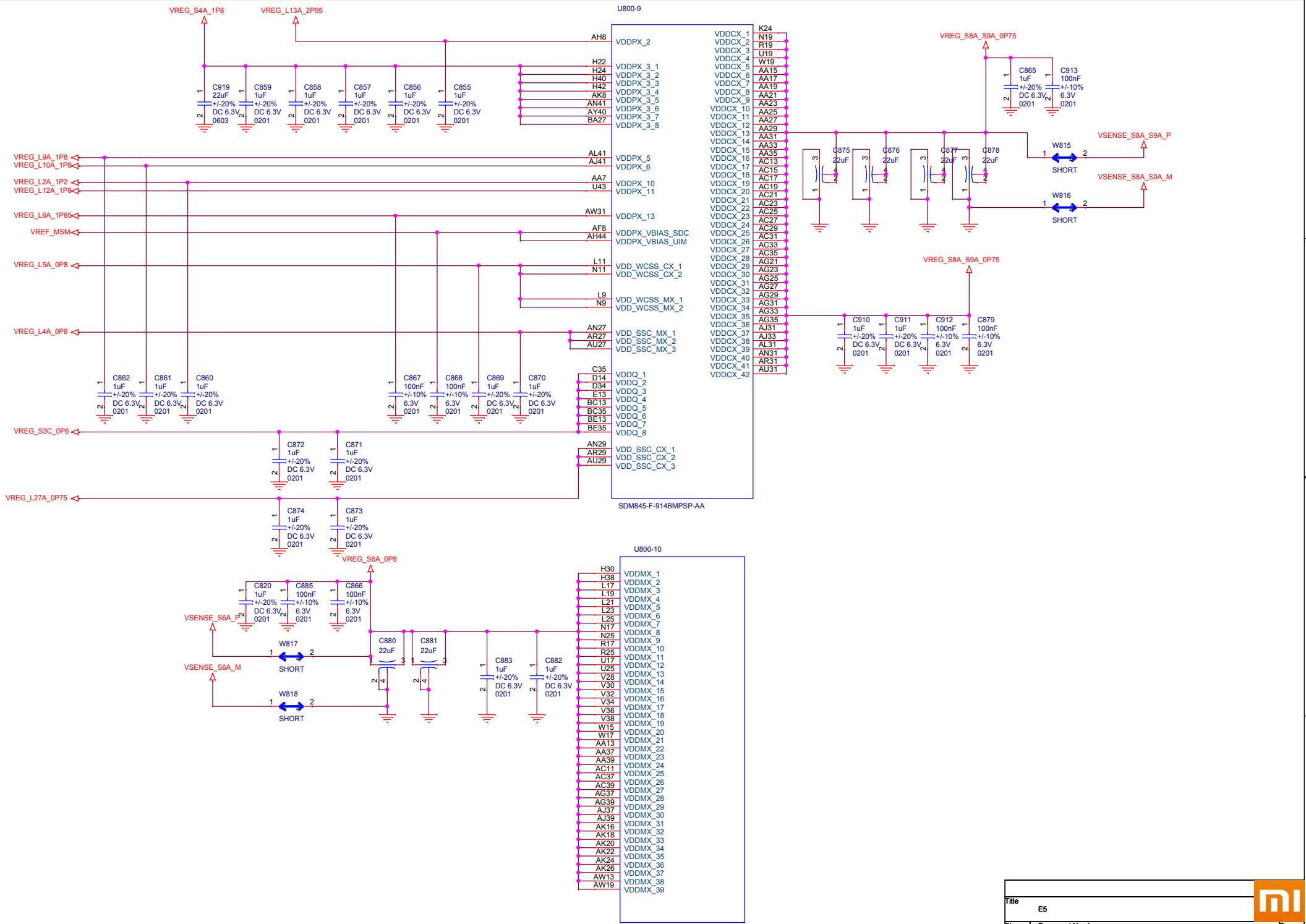
Title			mi
E5			
Size	Document Number	Rev	P1B
A4	SDM845 RF INTF		
Date:	Monday, September 03, 2018	Sheet	21 of 45




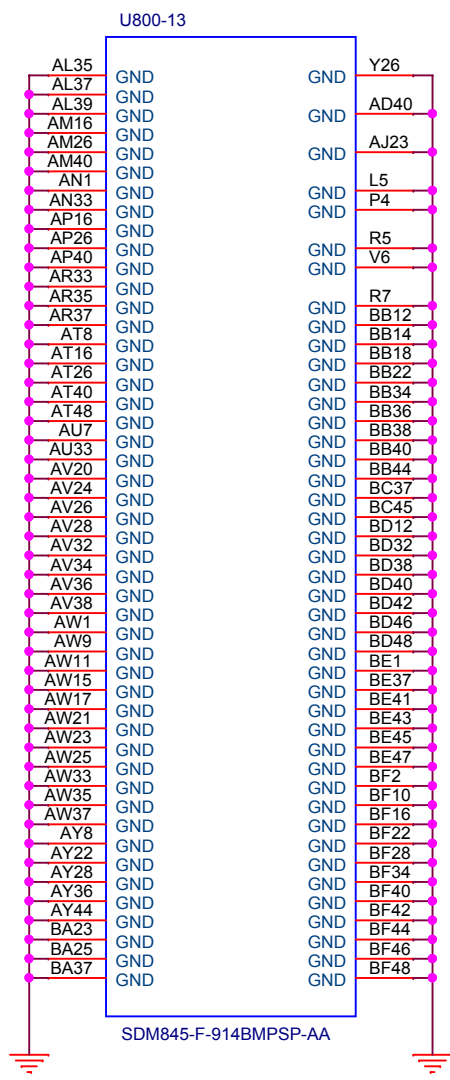
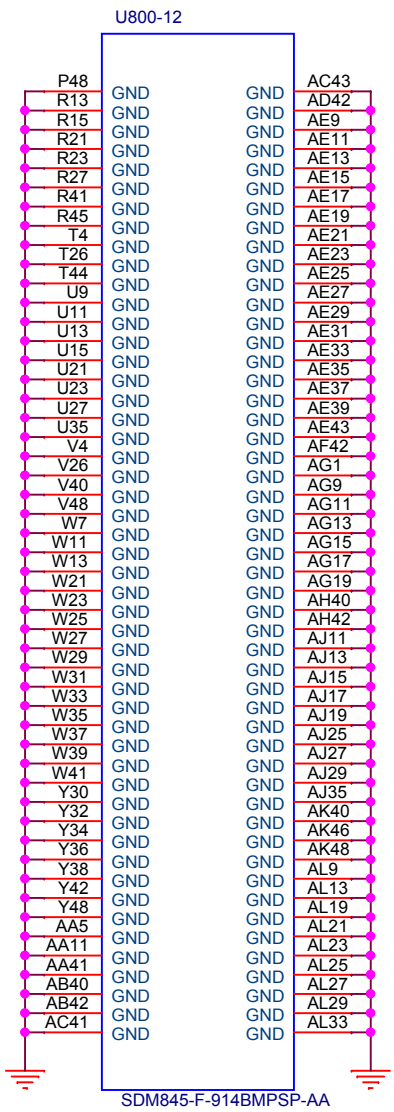
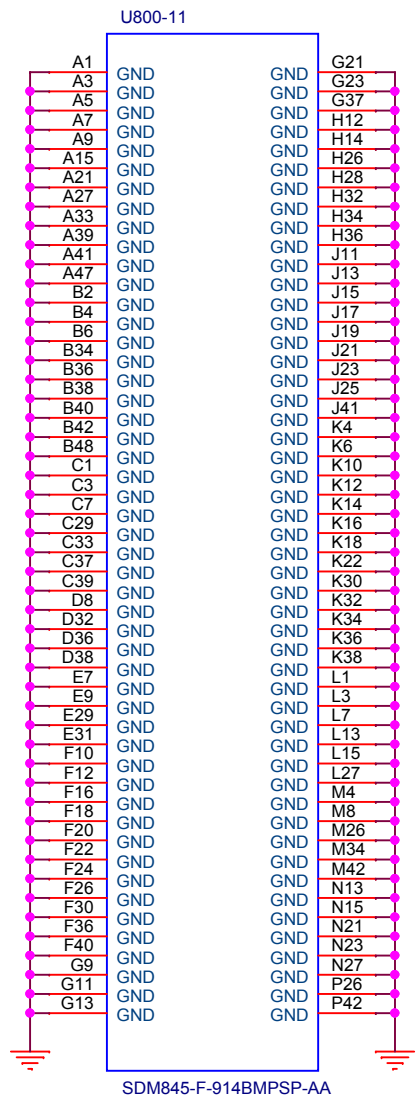


SDM845-F-914BMPSP-AA

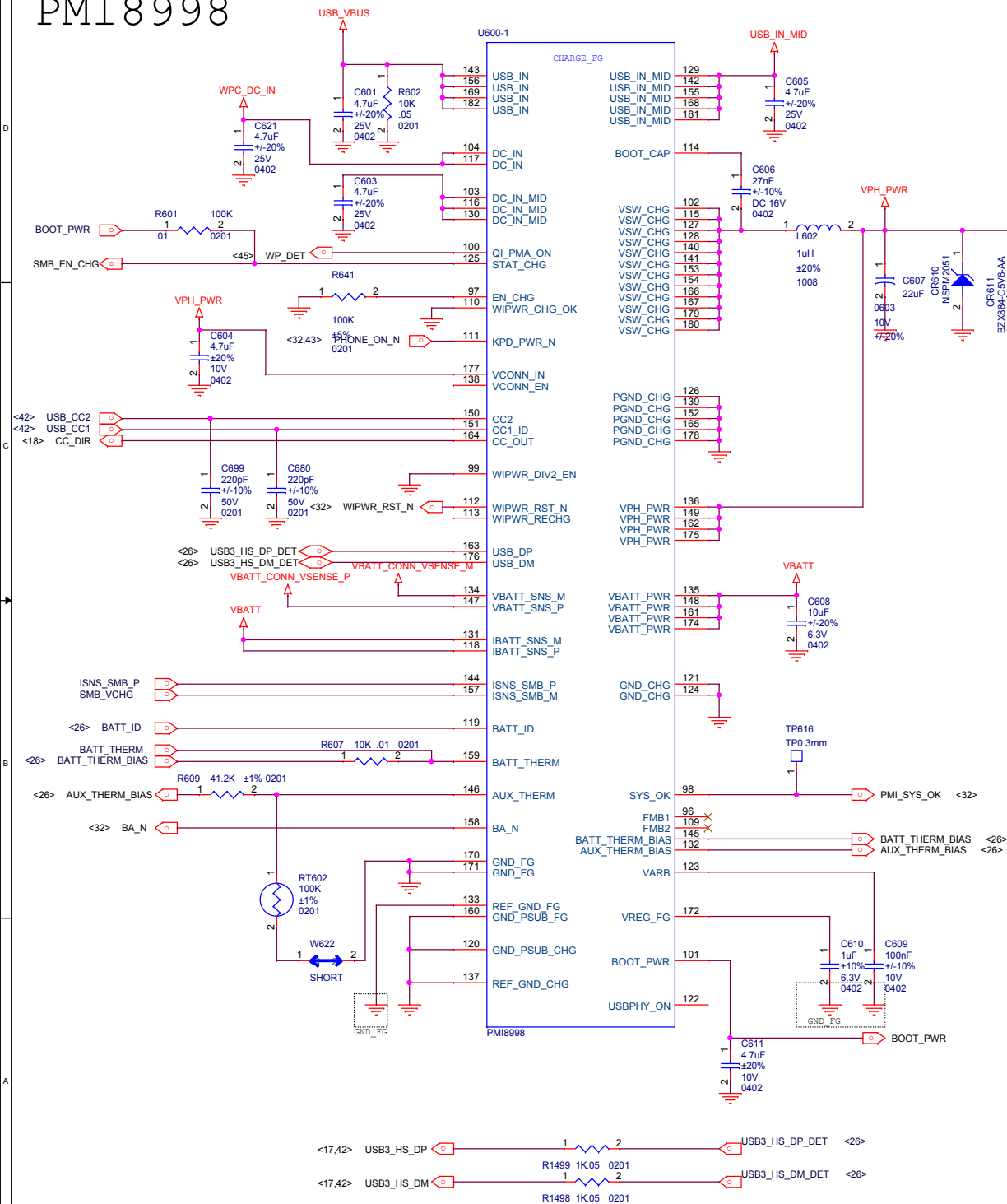
Title		E5	
Size	Document Number	SDM845 PWR2	
A3			P1B
Date:	Monday, September 03, 2018	Sheet	23 of 45

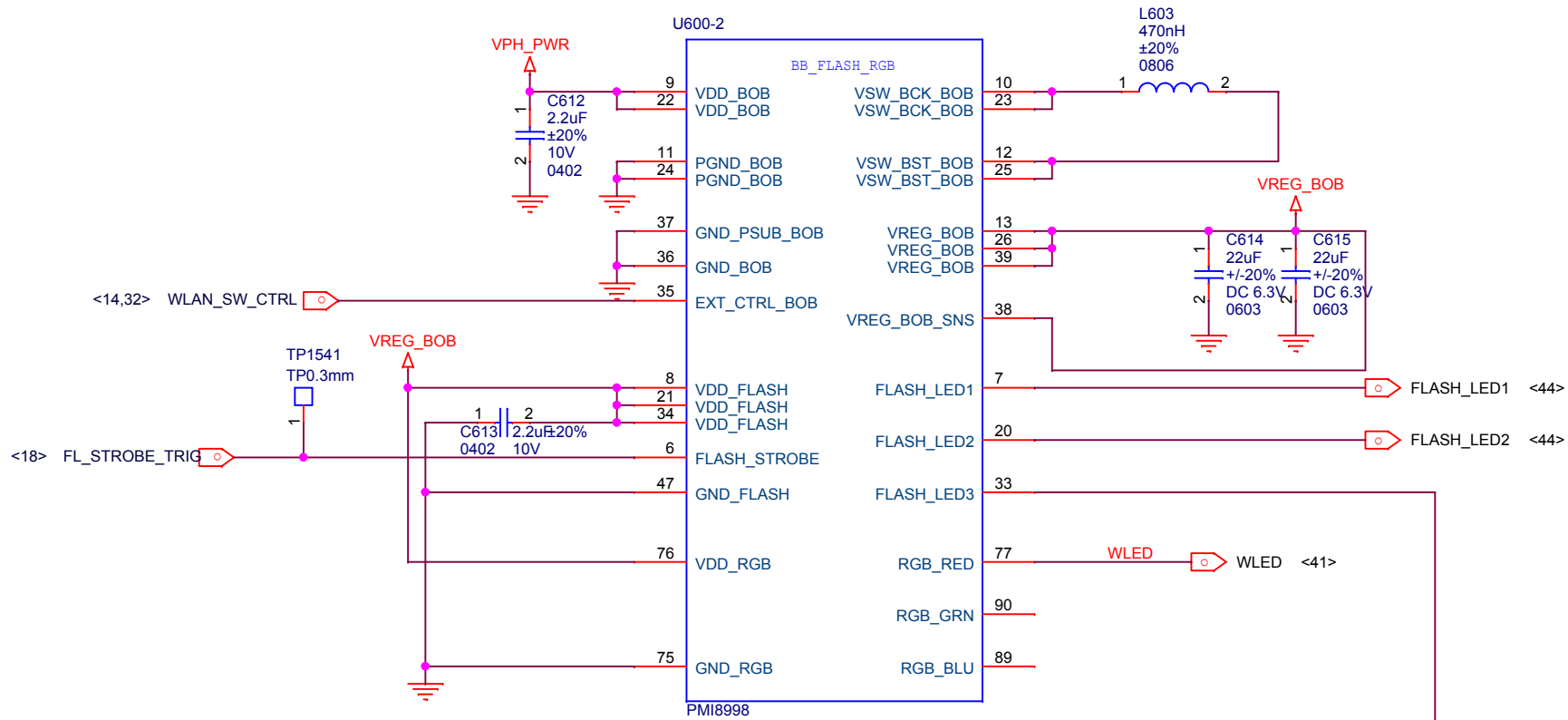


Title		E5			
Size	A3	Document Number	SDM845 PWR3		
Date:	Monday, September 03, 2018	Sheet	24 of 45	Rev	P1B

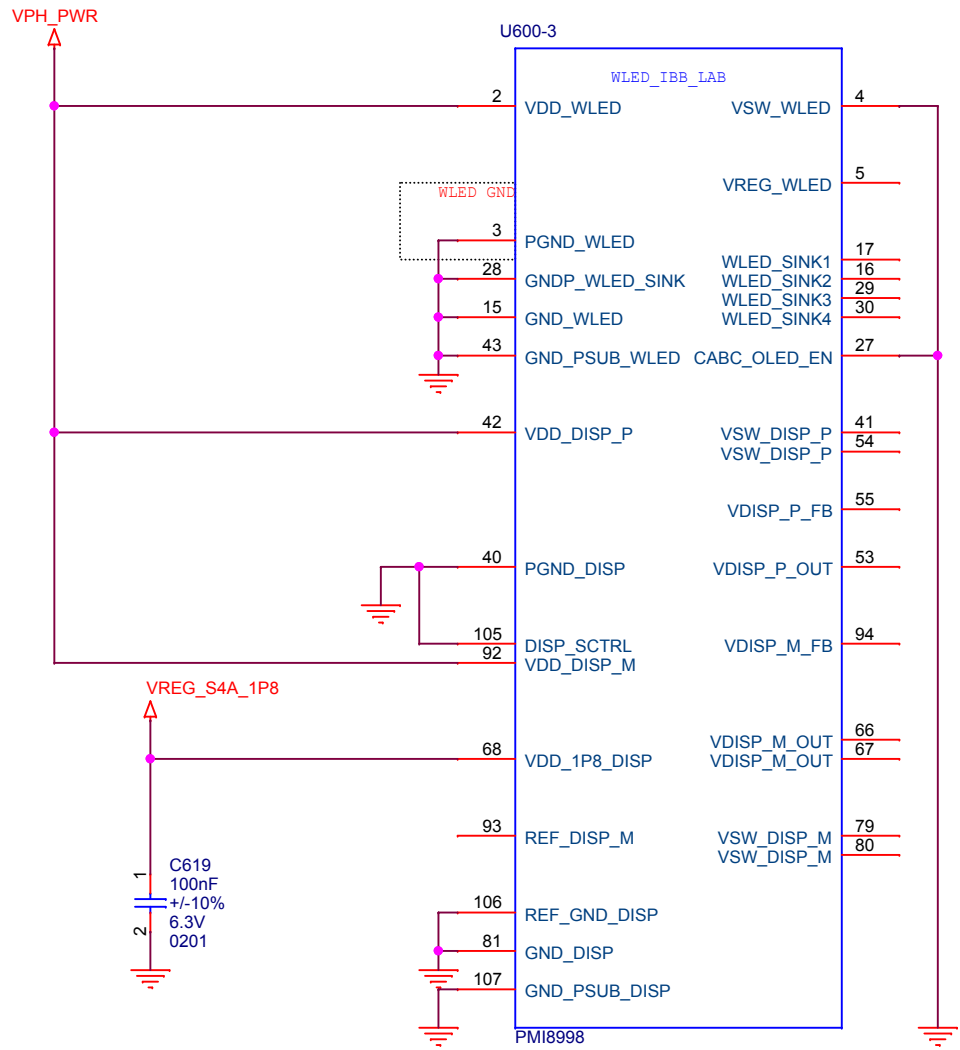


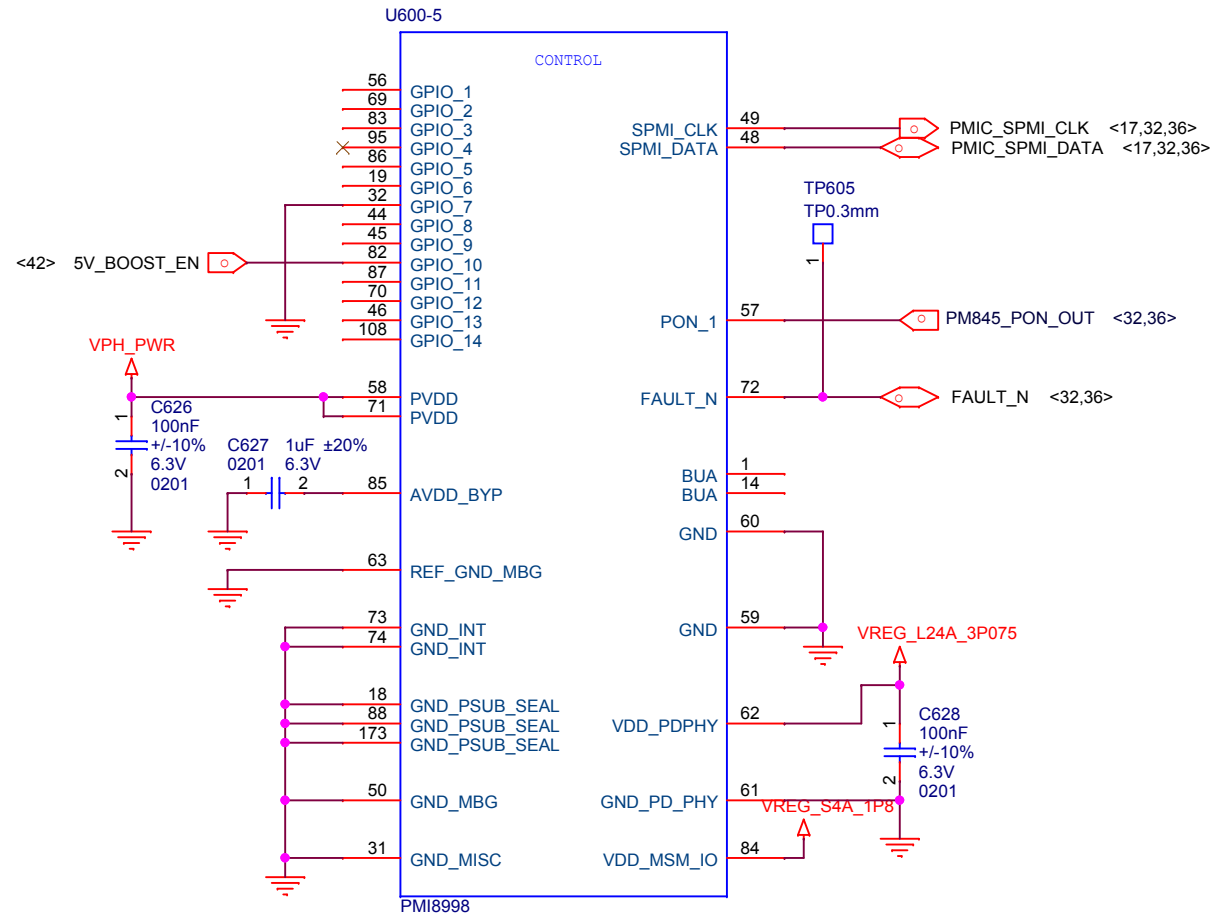
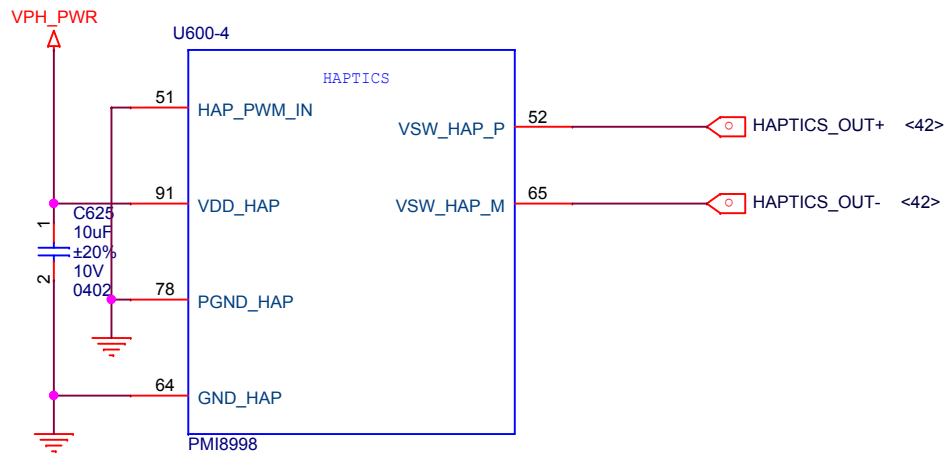
PMI8998



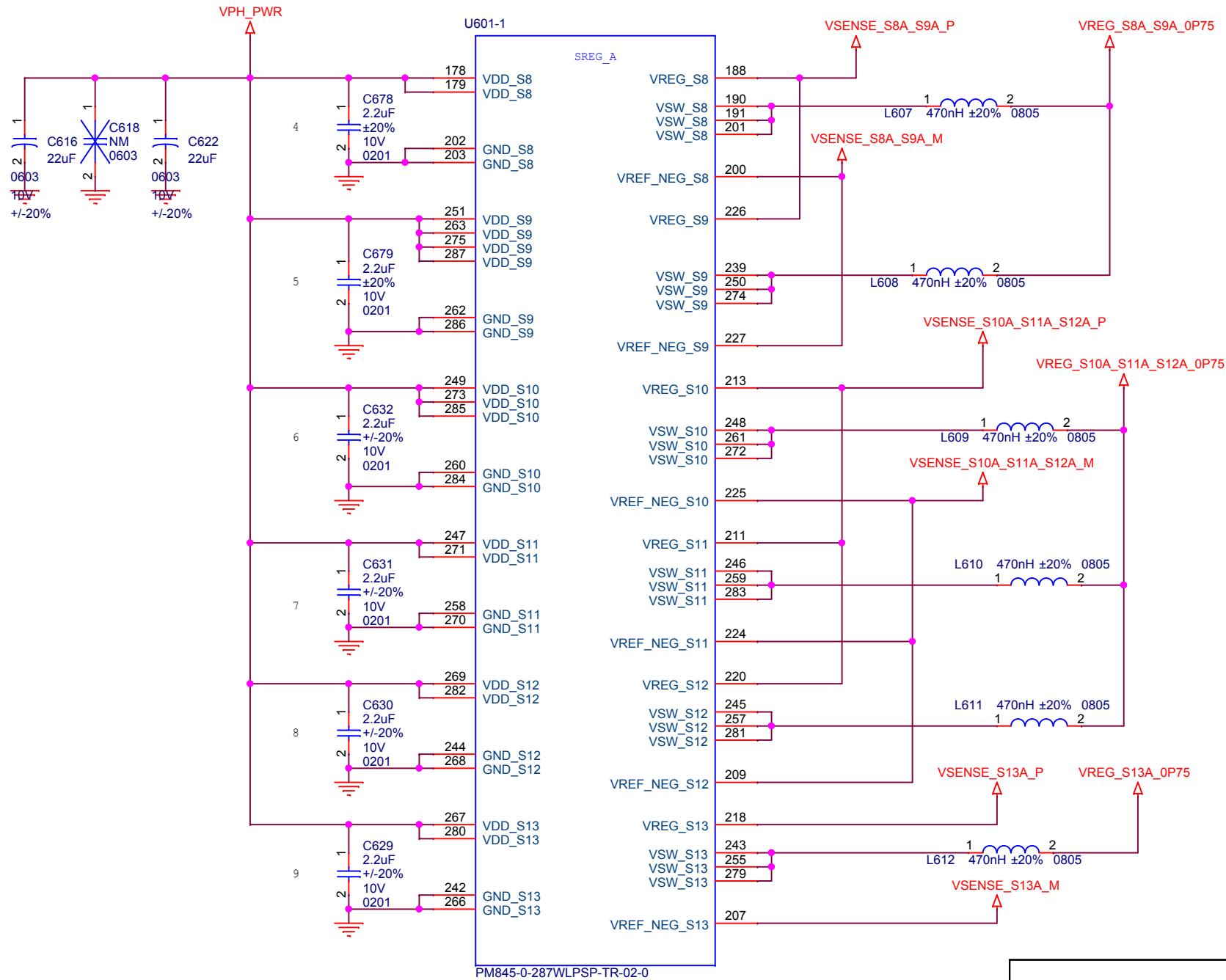


Title		E5			
Size	Document Number	PMI8998 FLASH RGB			Rev
A4				P1B	
Date:	Monday, September 03, 2018	Sheet	27	of	45




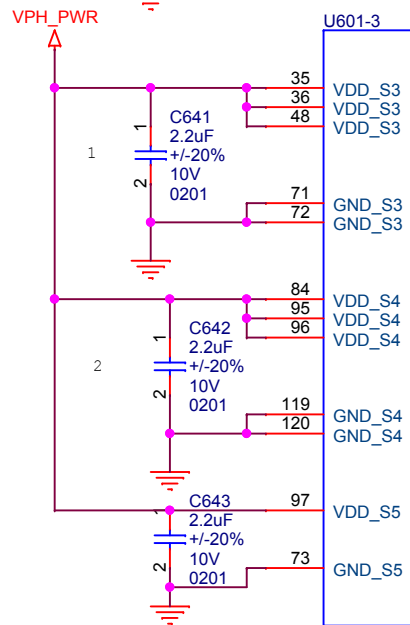
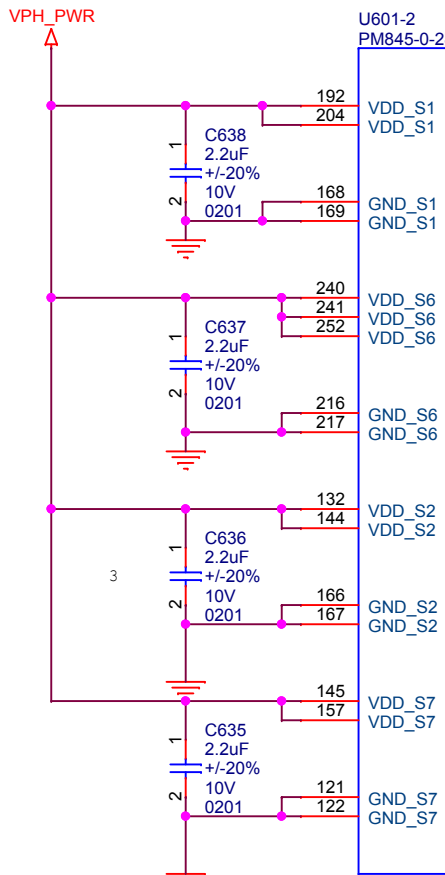



Title		E5			
Size	A4	Document Number	PMI8998 HAPTICS&SIDEKEY		Rev
Date:	Monday, September 03, 2018	Sheet	29	of	45

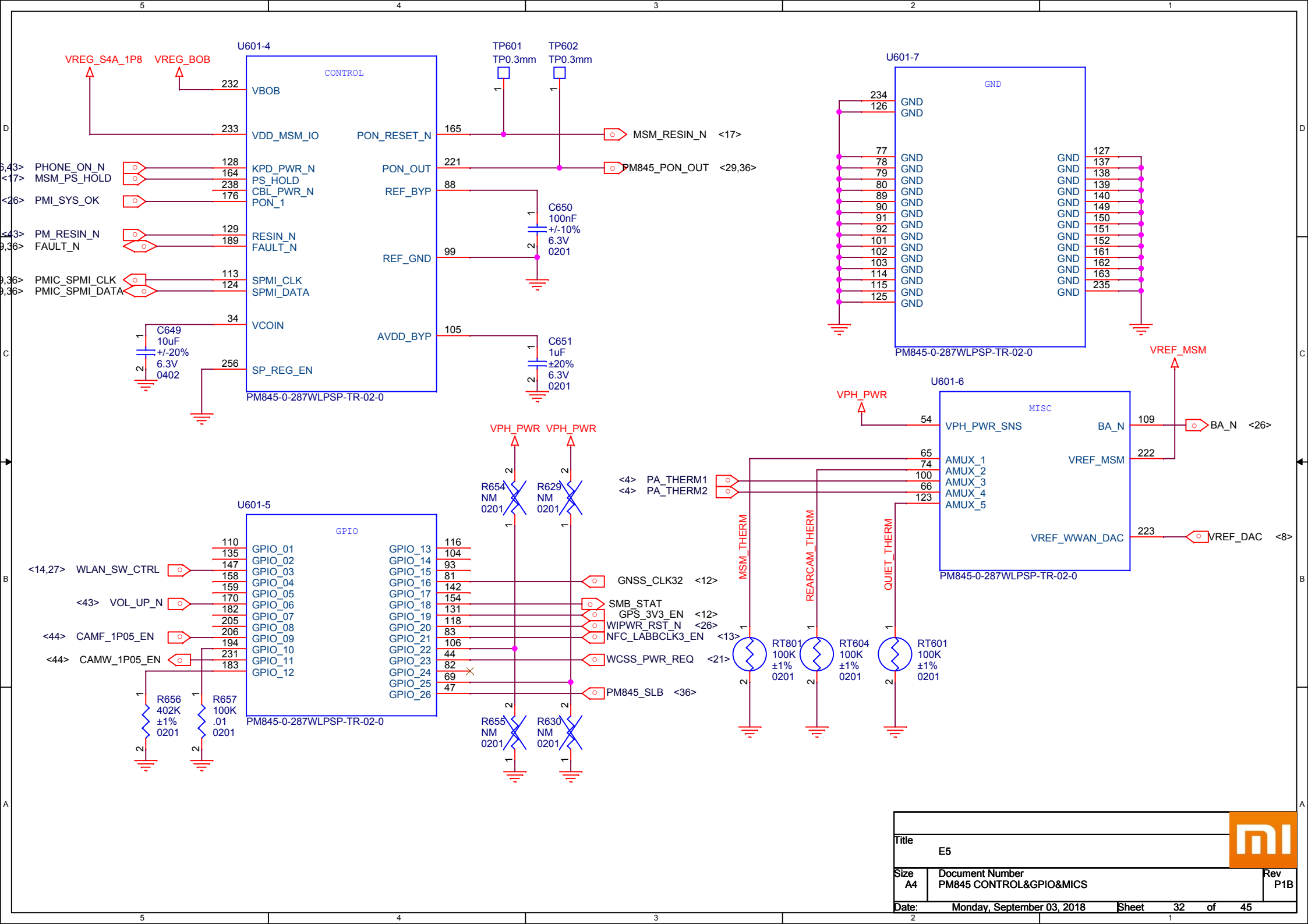



PM845-0-287WLPSP-TR-02-0

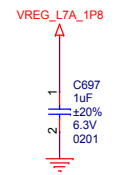
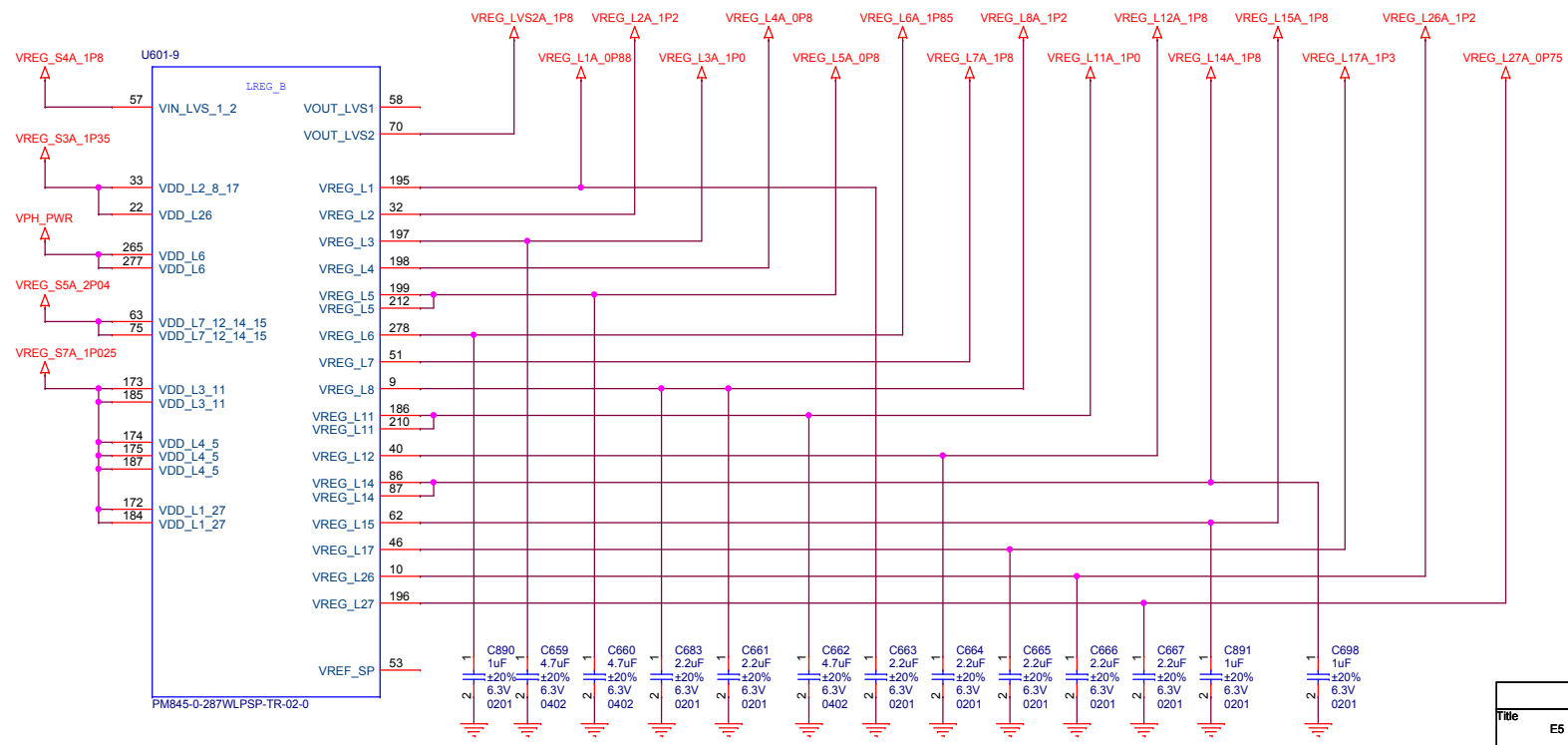
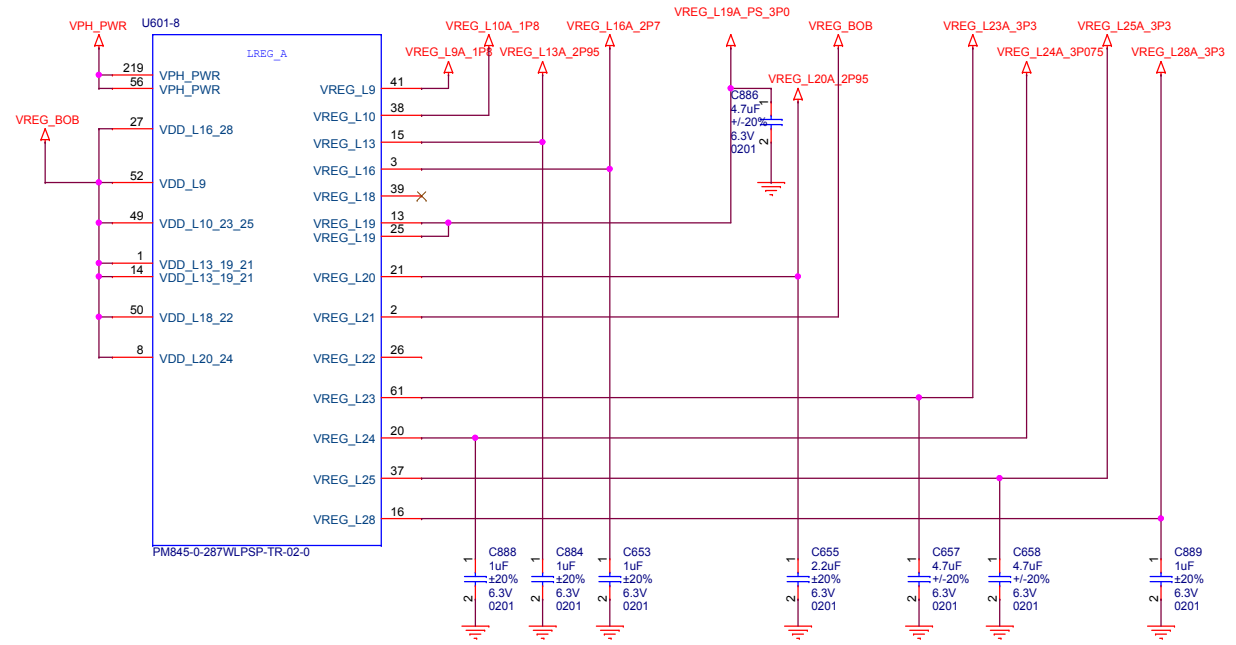
Title		E5				
Size	A4	Document Number	PM845 SREG A		Rev	P1B
Date:	Monday, September 03, 2018		Sheet	30	of	45



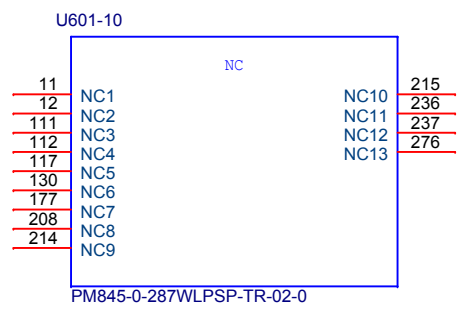
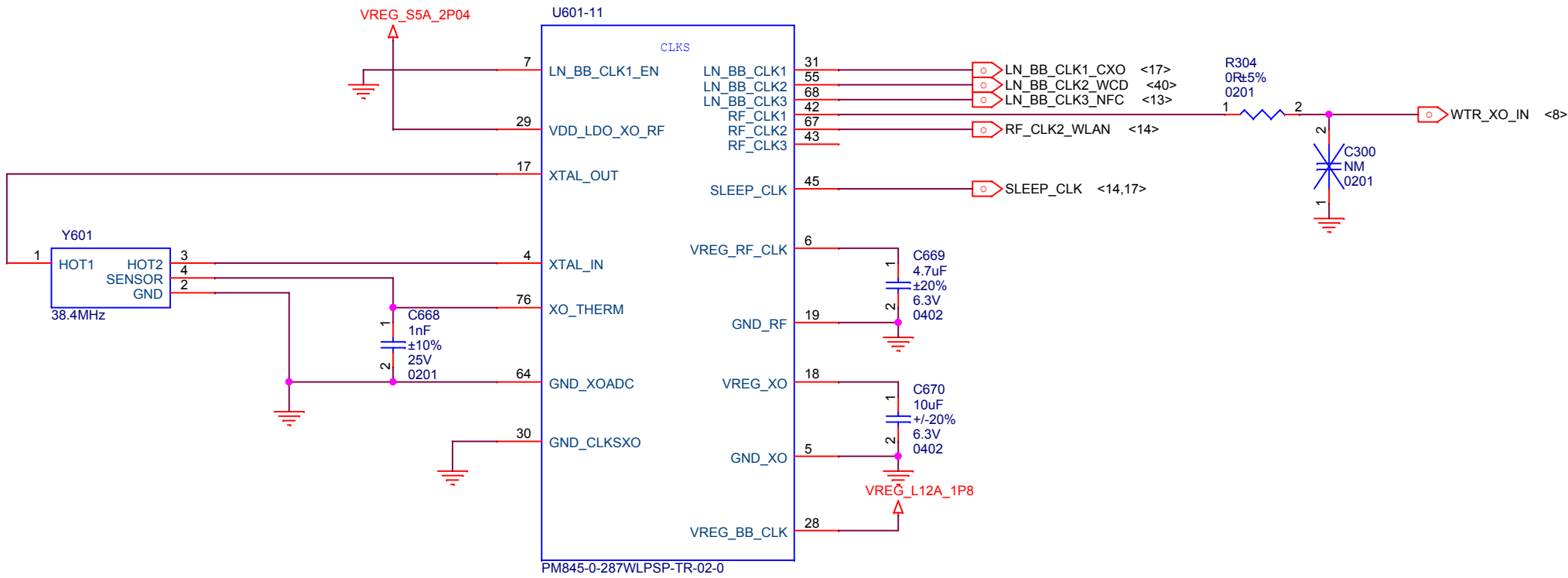
Title		E5				
Size	A4	Document Number	PM845 SREG B&C		Rev	P1B
Date:	Monday, September 03, 2018		Sheet	31	of	45

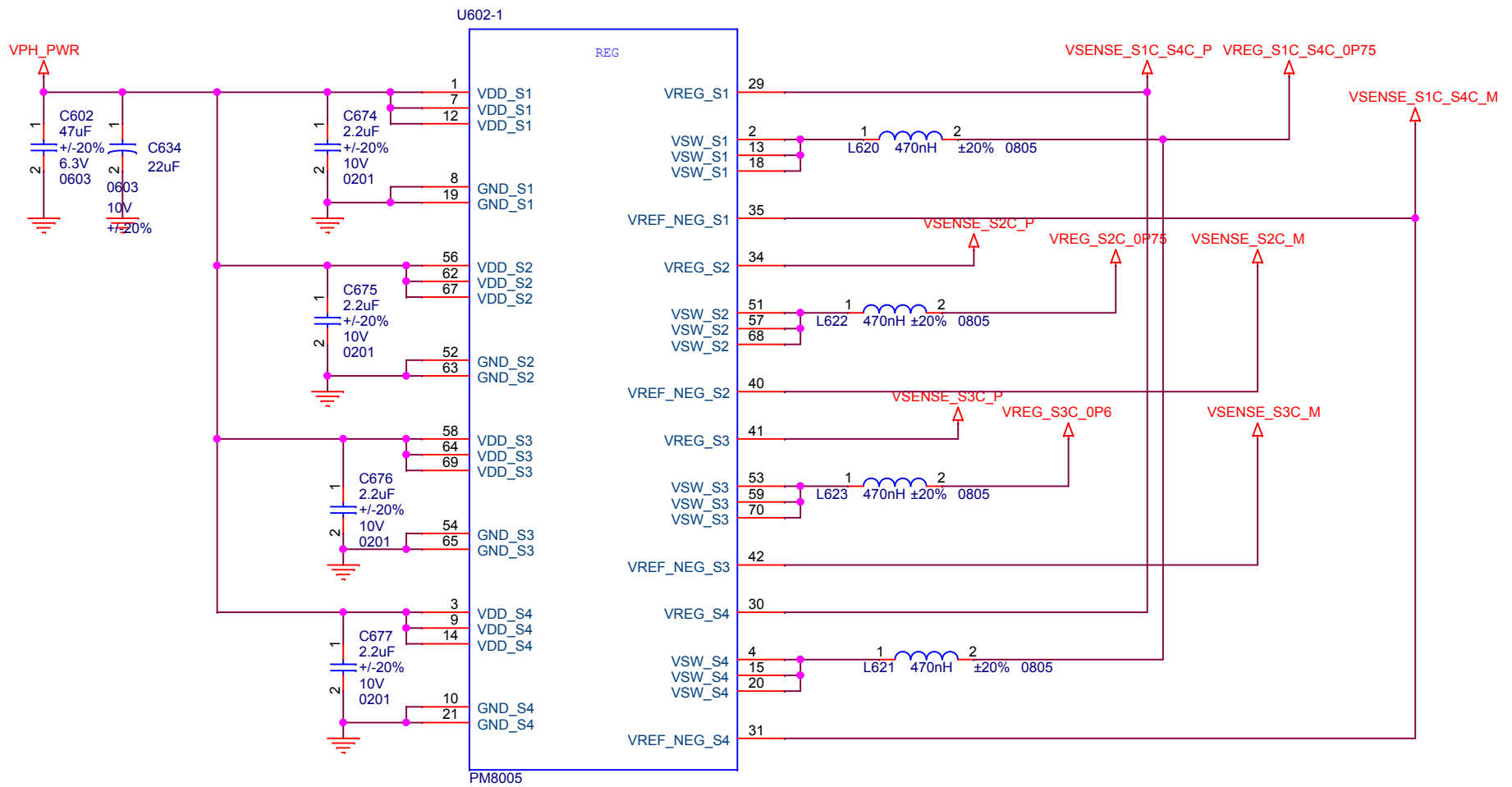



Title		E5				
Size	A4	Document Number	PM845 CONTROL&GPIO&MICS		Rev	P1B
Date:	Monday, September 03, 2018		Sheet	32	of	45

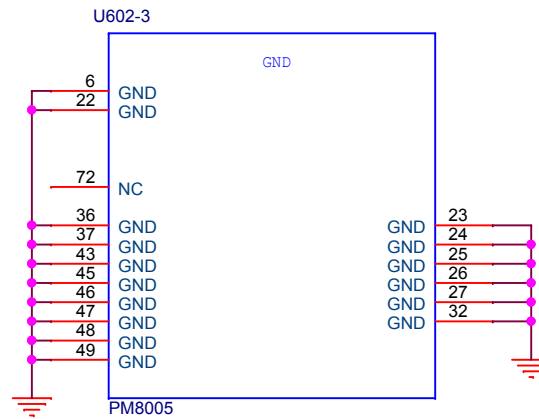
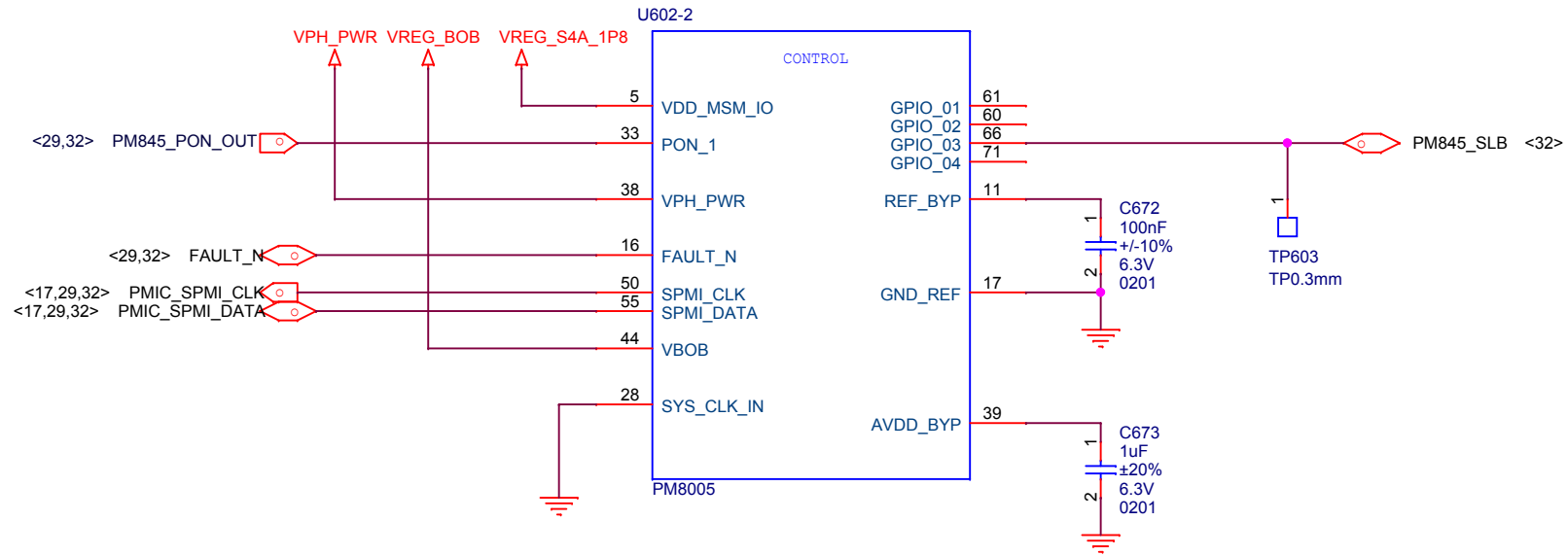


Title		E5	
Size	Document Number	PM845 LREG A&B	
Date:	Monday, September 03, 2018	Sheet	33 of 45

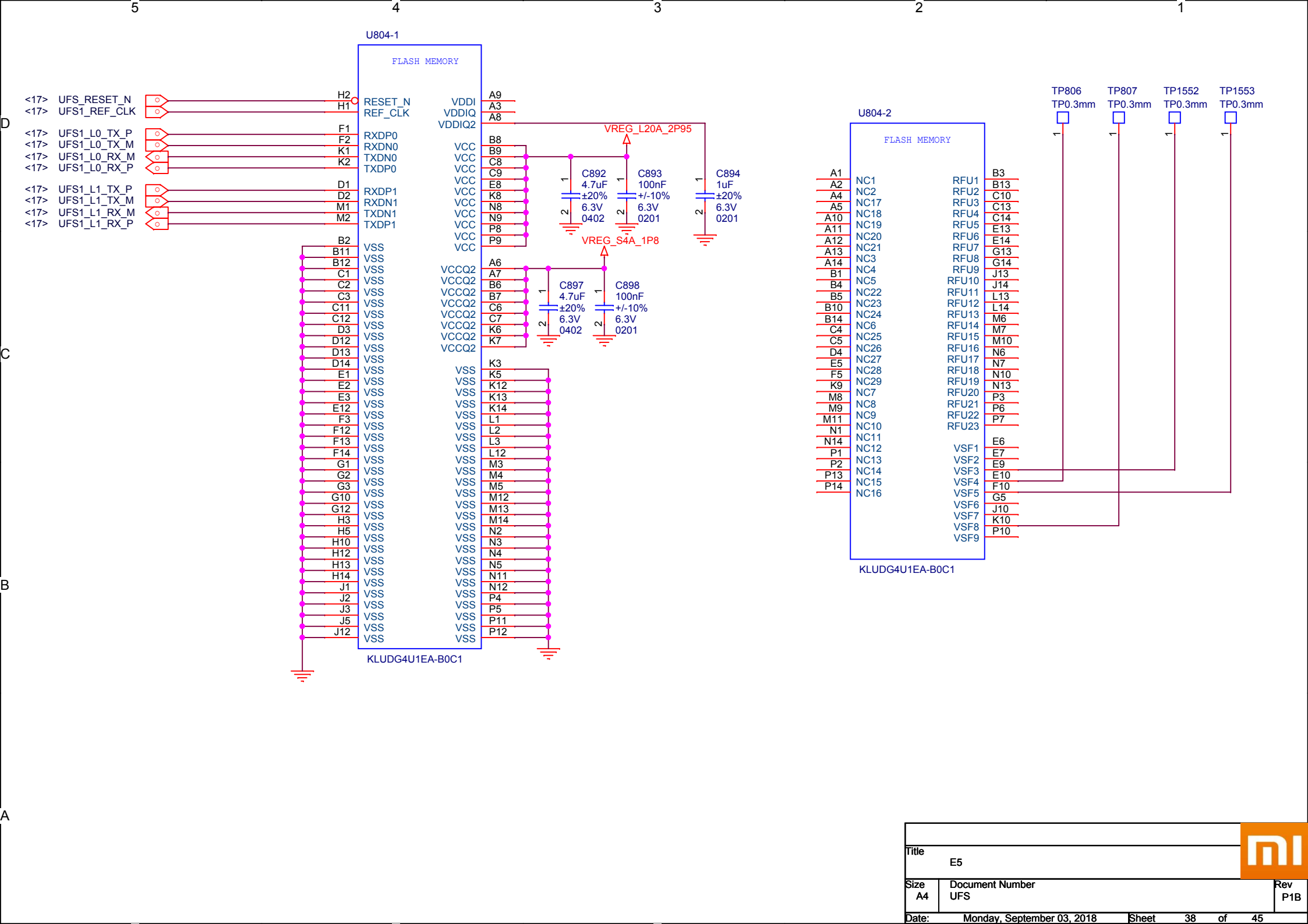




Title		E5	
Document Number			
Size	Date:		Rev
A4	Monday, September 03, 2018		P1B
Sheet		35	of 45



Title		E5		
Size	Document Number		Rev	
A4	PM8005 CONTROL&GND		P1B	
Date:	Monday, September 03, 2018	Sheet	36 of 45	



U804-1

FLASH MEMORY

H2	RESET_N	VDDI	A9
H1	REF_CLK	VDDIQ	A3
		VDDIQ2	A8
F1	RXDP0	VCC	B8
F2	RXDN0	VCC	B9
K1	TXDN0	VCC	C8
K2	TXDP0	VCC	C9
		VCC	E8
D1	RXDP1	VCC	K8
D2	RXDN1	VCC	N8
M1	TXDN1	VCC	N9
M2	TXDP1	VCC	P8
		VCC	P9
		VCC	A6
B2	VSS	VCCQ2	A7
B11	VSS	VCCQ2	B6
B12	VSS	VCCQ2	B7
C1	VSS	VCCQ2	C6
C2	VSS	VCCQ2	C7
C3	VSS	VCCQ2	K6
C11	VSS	VCCQ2	K7
C12	VSS	VSS	K3
D3	VSS	VSS	K5
D12	VSS	VSS	K12
D13	VSS	VSS	K13
D14	VSS	VSS	K14
E1	VSS	VSS	L1
E2	VSS	VSS	L2
E3	VSS	VSS	L3
E12	VSS	VSS	L12
F3	VSS	VSS	M3
F12	VSS	VSS	M4
F13	VSS	VSS	M5
F14	VSS	VSS	M12
G1	VSS	VSS	M13
G2	VSS	VSS	M14
G3	VSS	VSS	N2
G10	VSS	VSS	N3
G12	VSS	VSS	N4
H3	VSS	VSS	N5
H5	VSS	VSS	N11
H10	VSS	VSS	N12
H12	VSS	VSS	P4
H13	VSS	VSS	P5
H14	VSS	VSS	P11
J1	VSS	VSS	P12
J2	VSS	VSS	
J3	VSS	VSS	
J5	VSS	VSS	
J12	VSS	VSS	

KLUDG4U1EA-B0C1

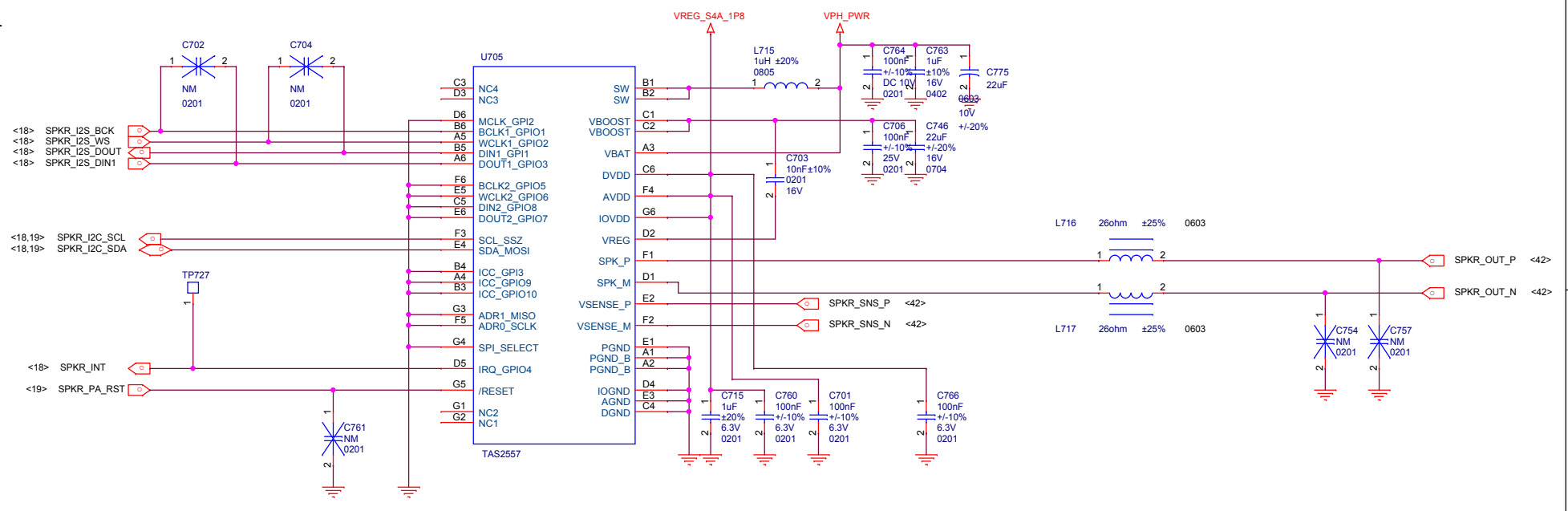
U804-2

FLASH MEMORY

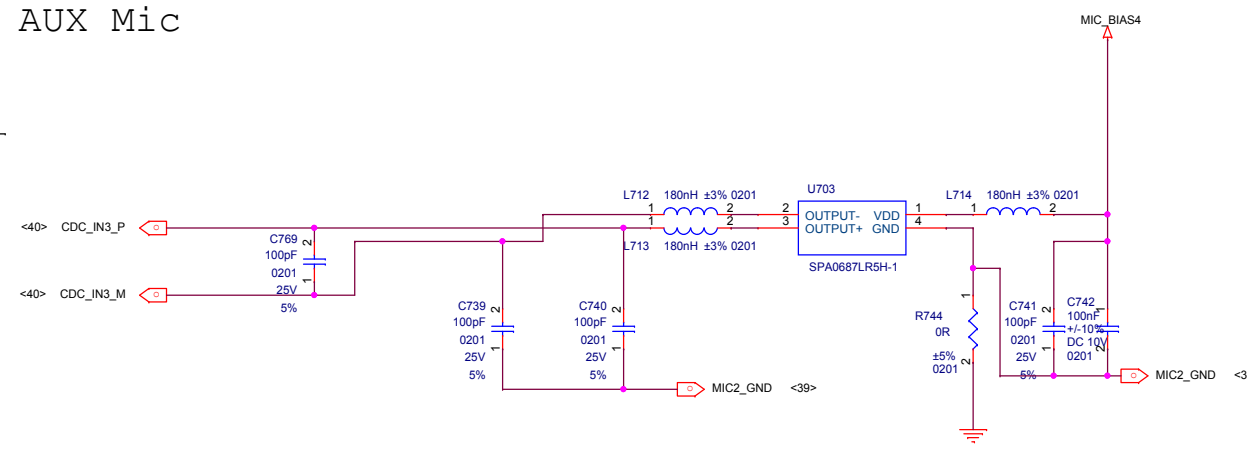
A1	NC1	RFU1	B3
A2	NC2	RFU2	B13
A4	NC17	RFU3	C10
A5	NC18	RFU4	C13
A10	NC18	RFU5	C14
A11	NC19	RFU6	E13
A12	NC20	RFU7	E14
A13	NC21	RFU8	G13
A14	NC3	RFU9	G14
B1	NC4	RFU10	J13
B4	NC5	RFU11	J14
B5	NC22	RFU12	L13
B10	NC23	RFU13	L14
B14	NC24	RFU14	M6
C4	NC6	RFU15	M7
C5	NC25	RFU16	M10
D4	NC26	RFU17	N6
E5	NC27	RFU18	N7
F5	NC28	RFU19	N10
K9	NC29	RFU20	N13
M8	NC7	RFU21	P3
M9	NC8	RFU22	P6
M11	NC9	RFU23	P7
N1	NC10		
N14	NC11		
P1	NC12	VSF1	E6
P2	NC13	VSF2	E7
P13	NC14	VSF3	E9
P14	NC15	VSF4	E10
	NC16	VSF5	F10
		VSF6	G5
		VSF7	J10
		VSF8	K10
		VSF9	P10

KLUDG4U1EA-B0C1

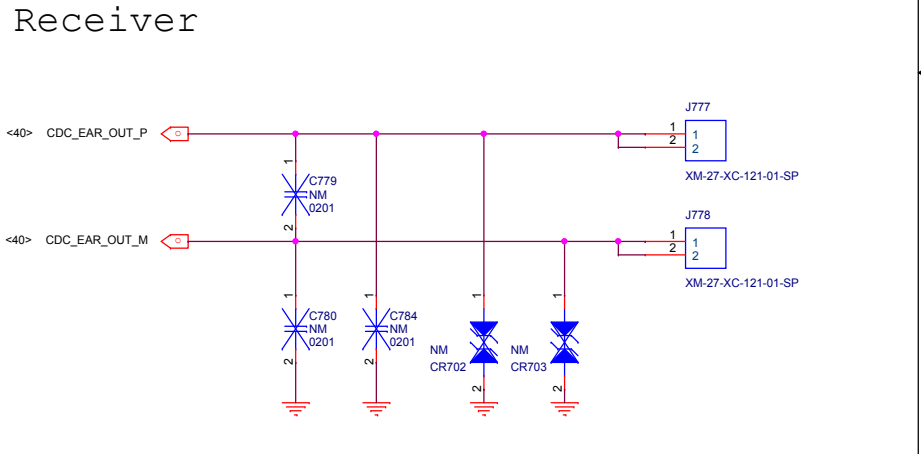
Speaker PA



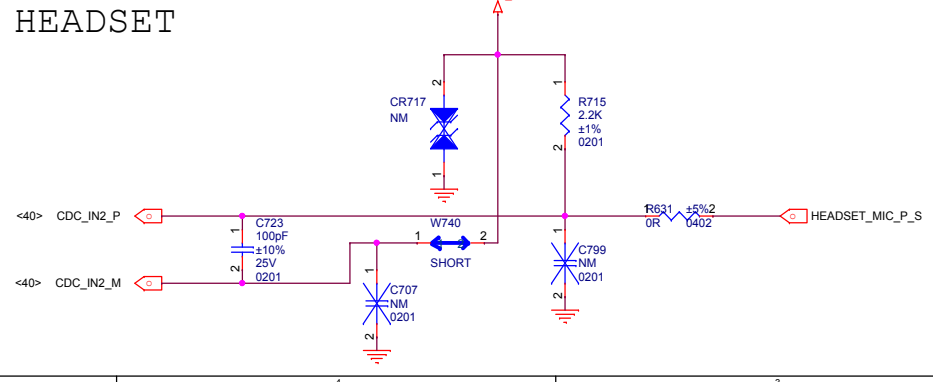
AUX Mic



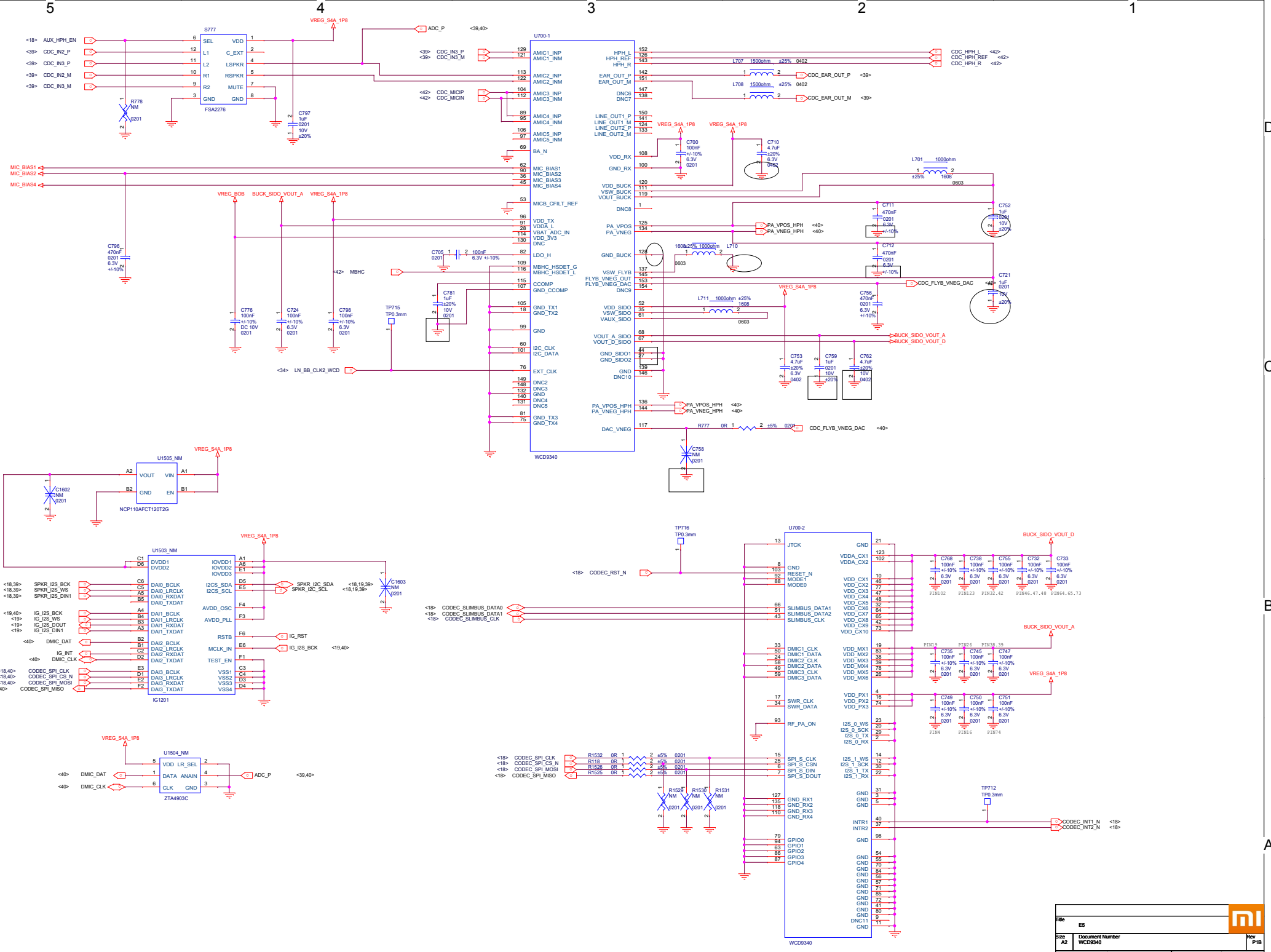
Receiver



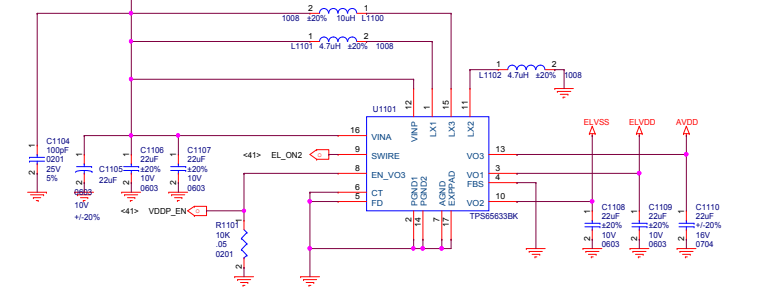
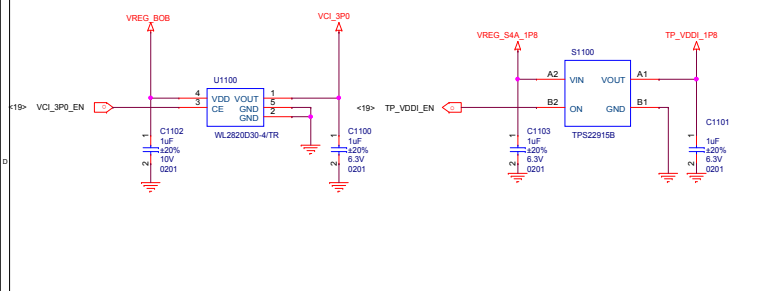
HEADSET



Title		E5	
Size	Document Number	A3 AUDIO	
Date:	Monday, September 03, 2018	Sheet	39 of 45

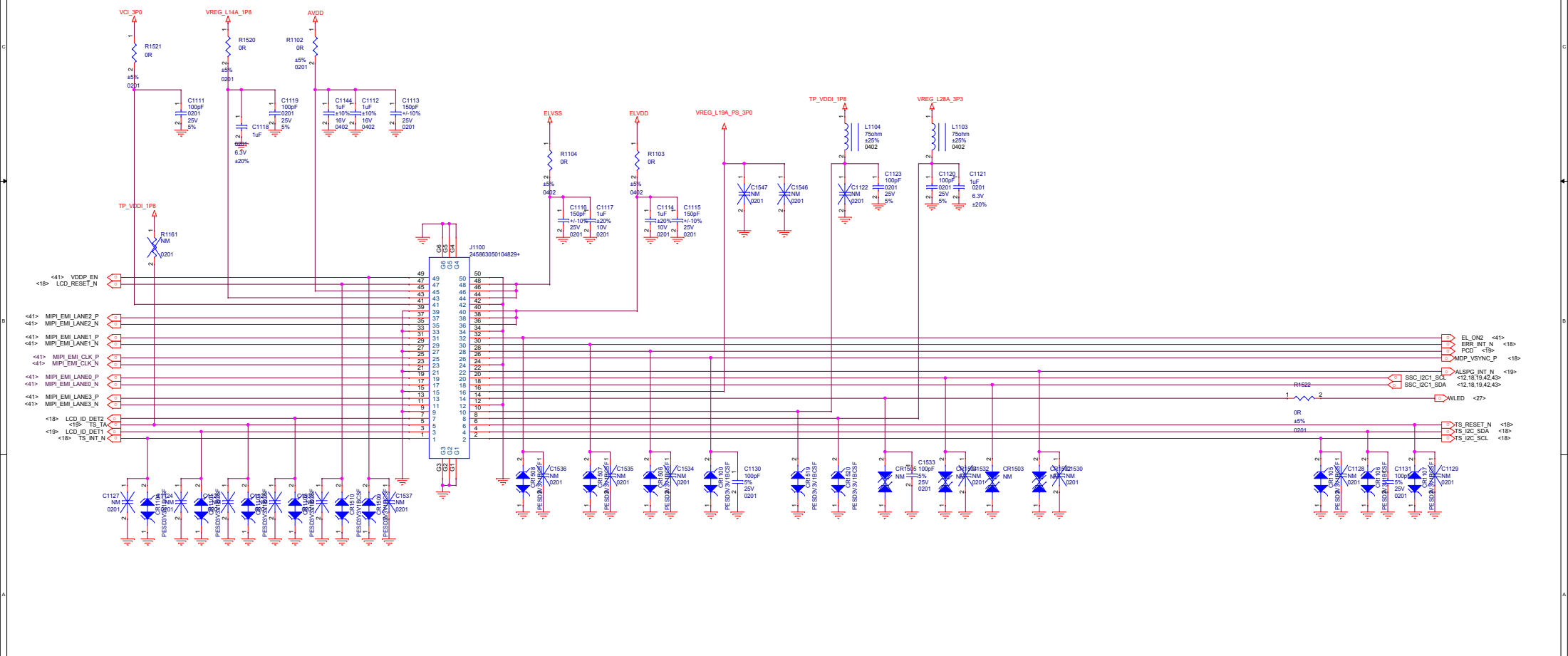
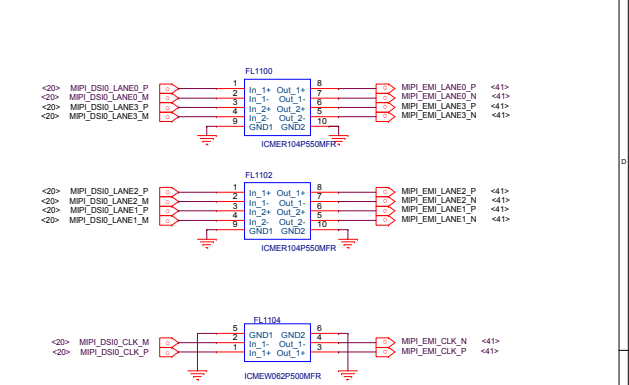


LCD_PWR

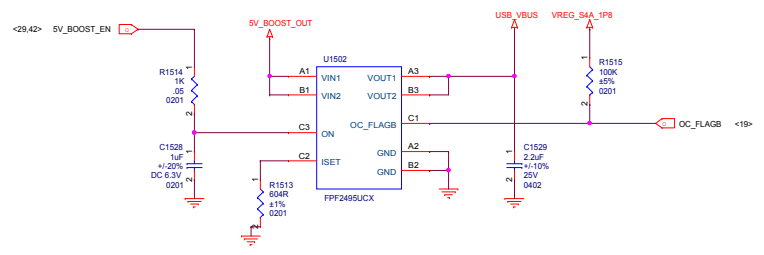
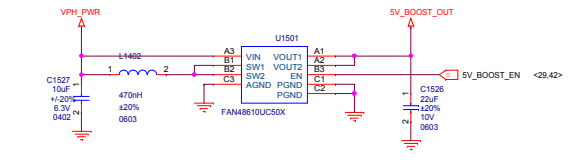
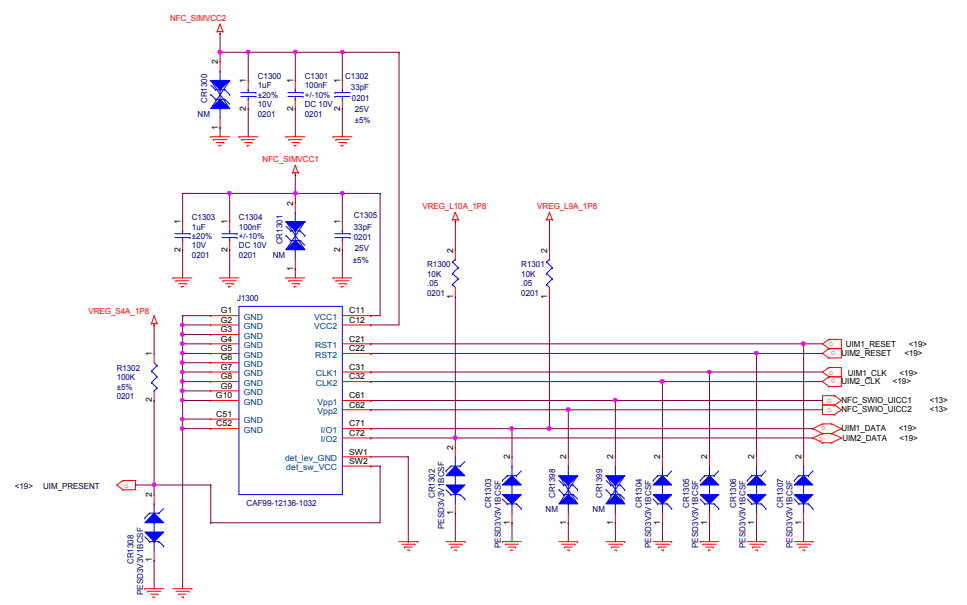


LCD Connector PIN MAP!!!

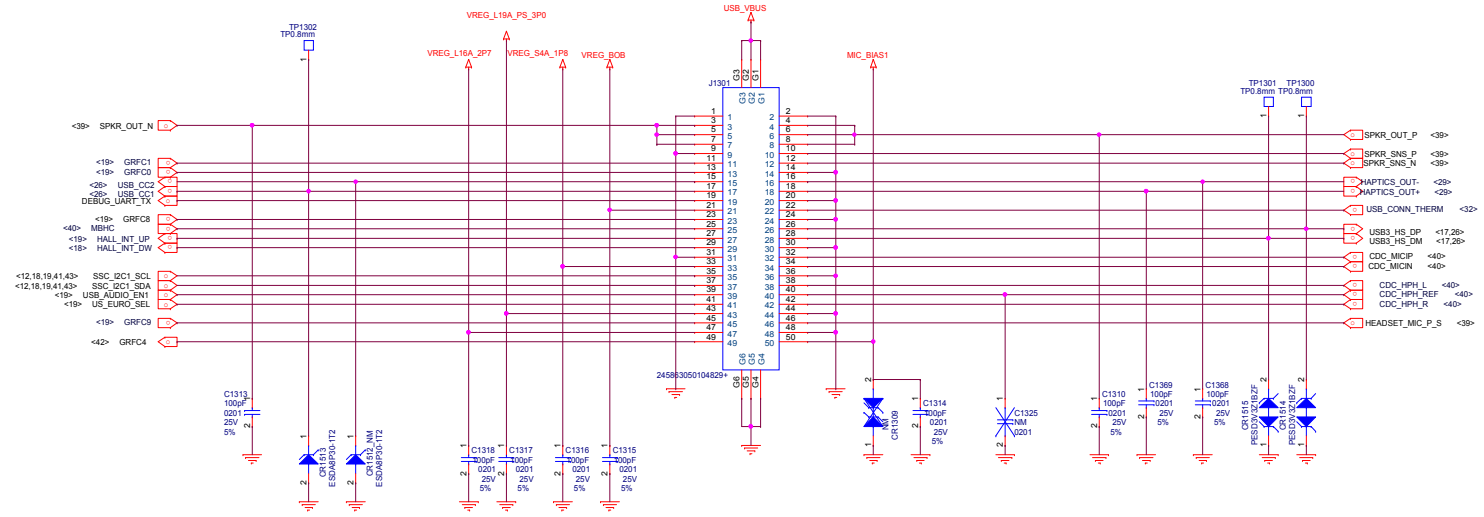
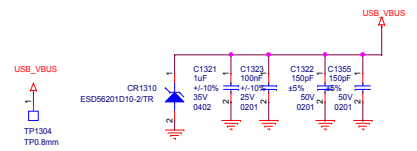
LCD Filter



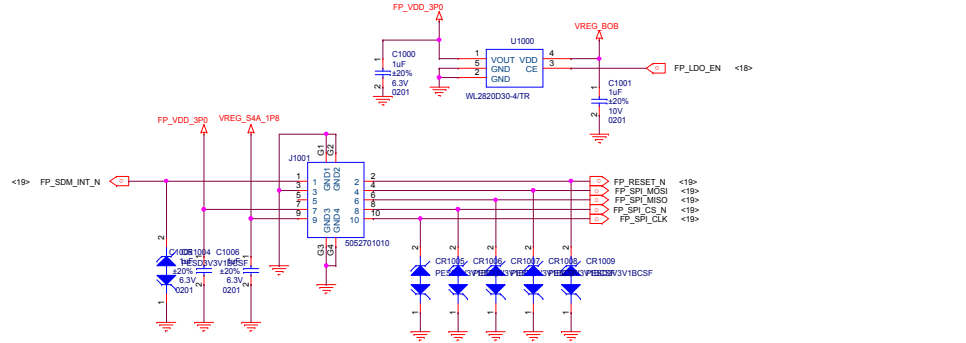
SIM CONNECTOR



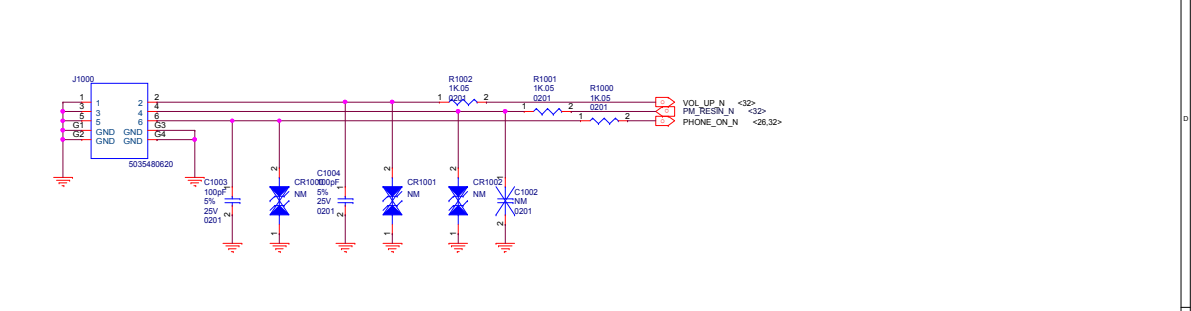
BTB Connector



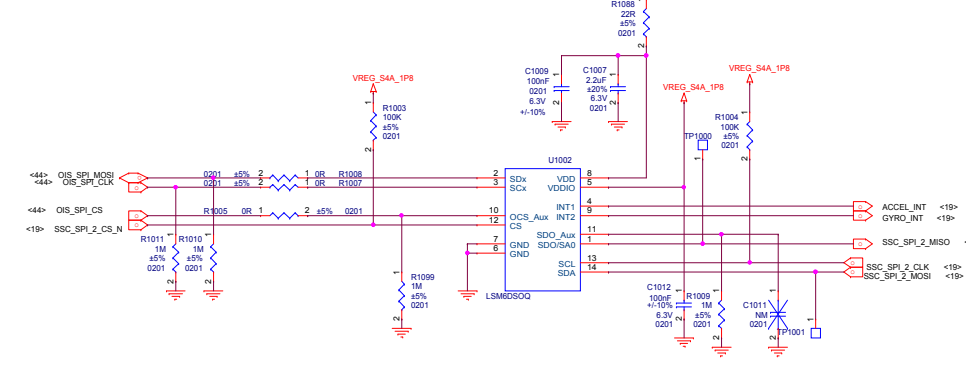
Fingerprint



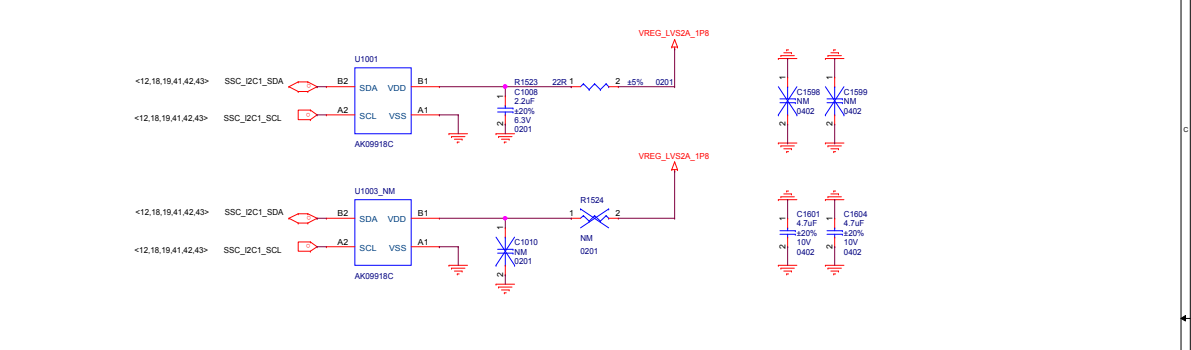
Side Key



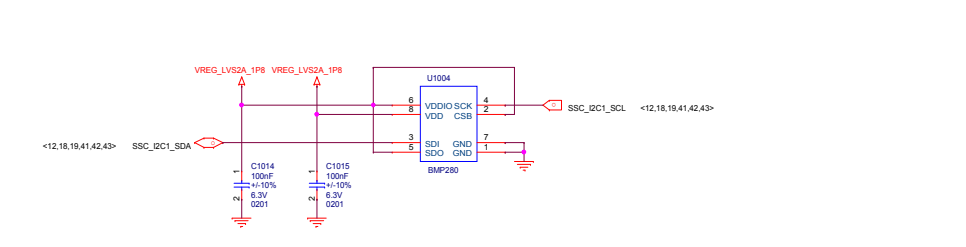
A+G



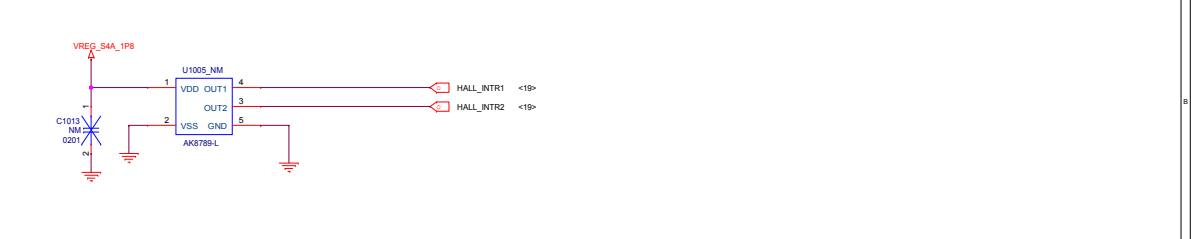
COMPASS



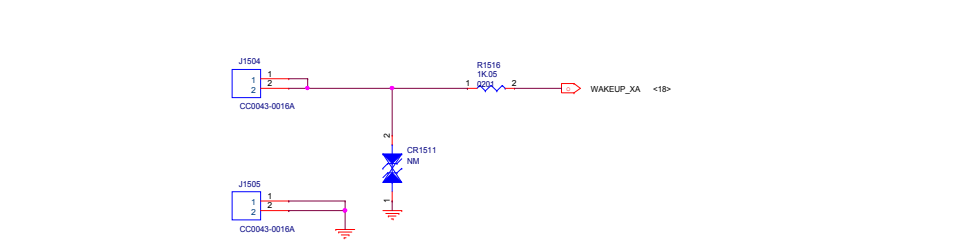
PRESSURE



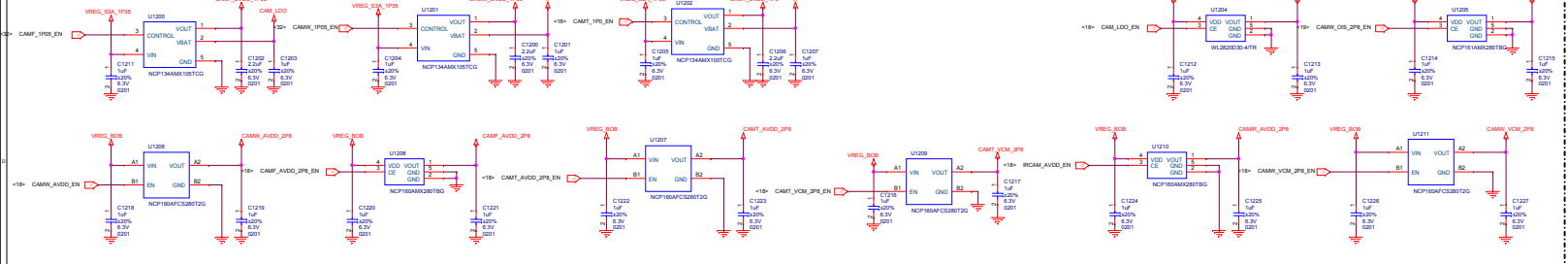
HALL



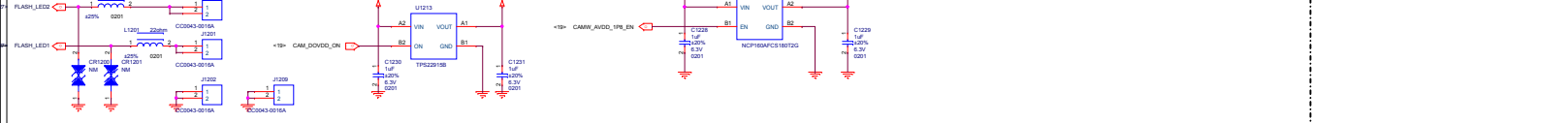
小爱唤醒按键



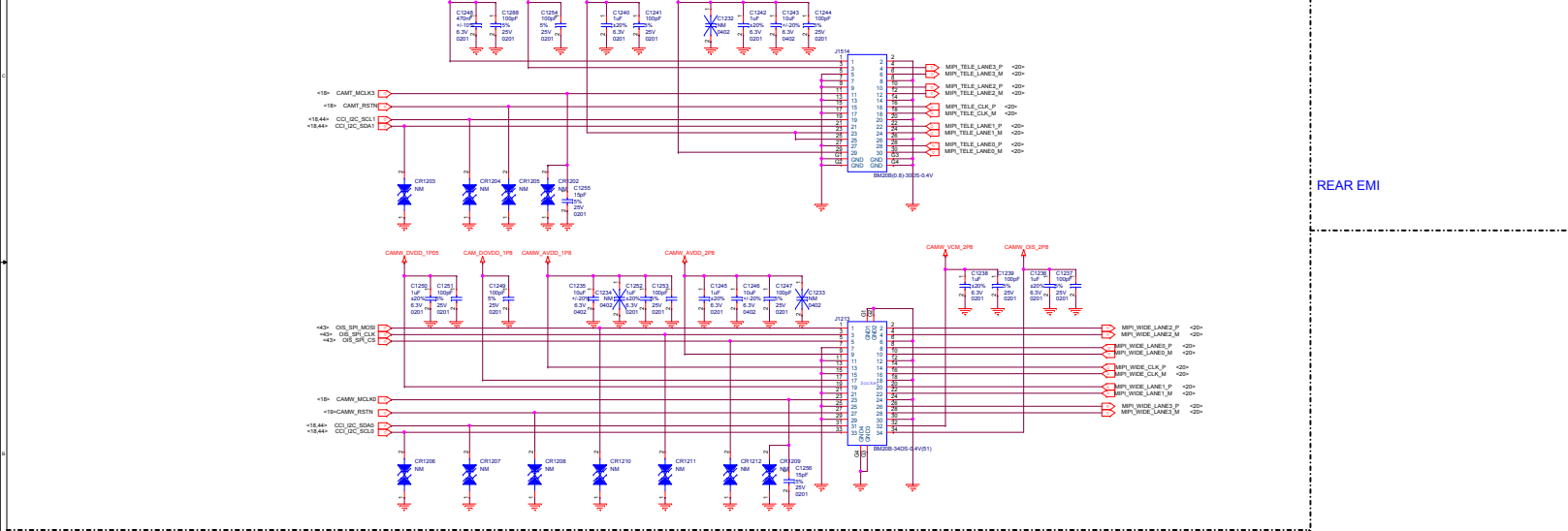
LDOs



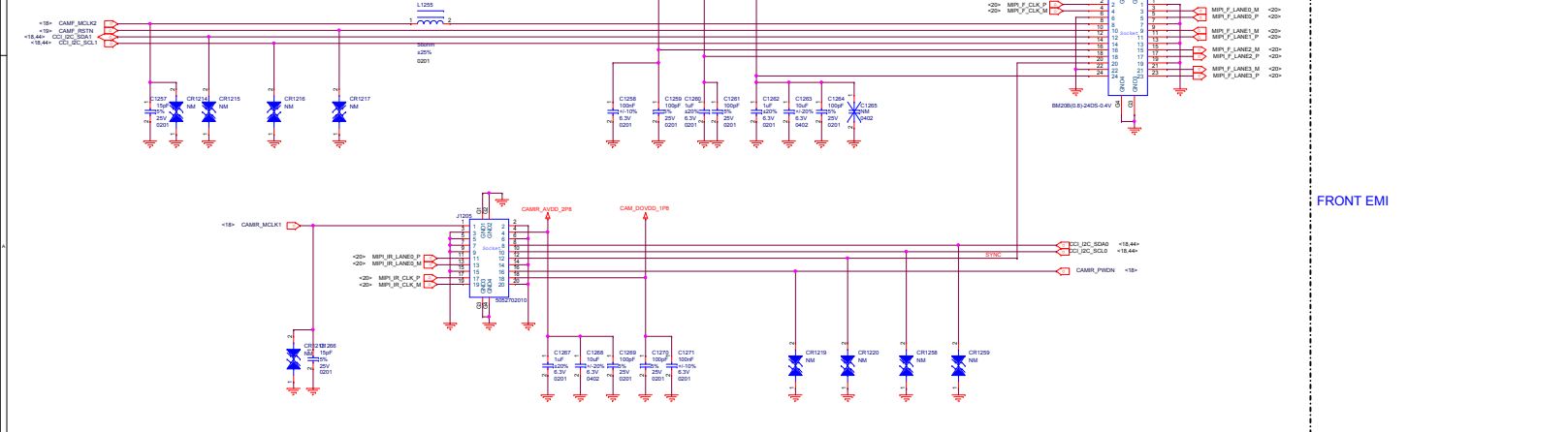
FLASH



REAR CAMERA

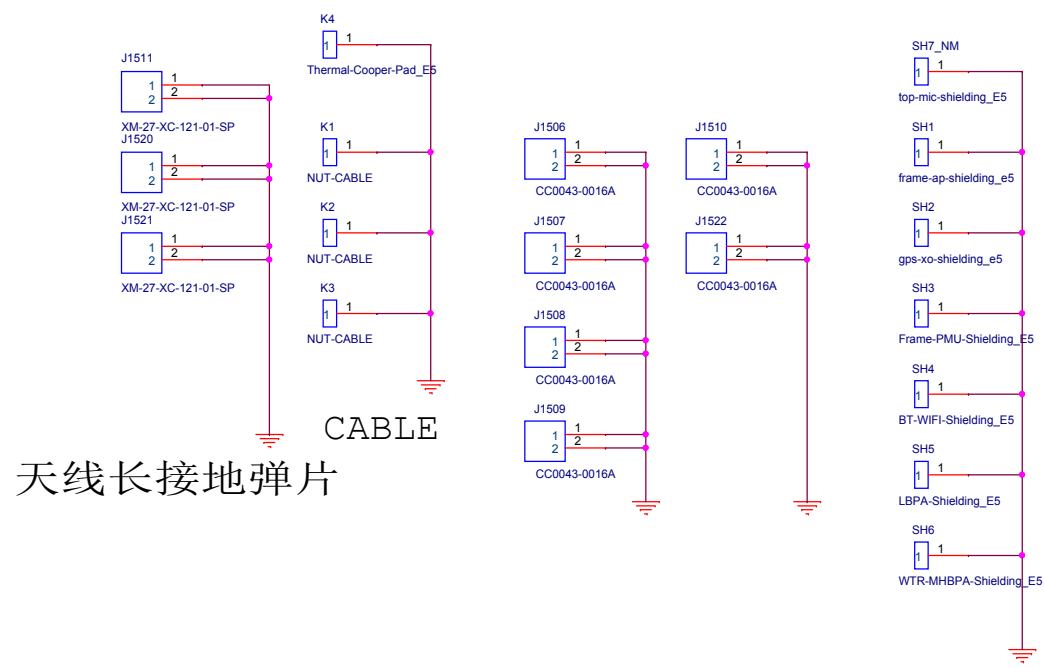
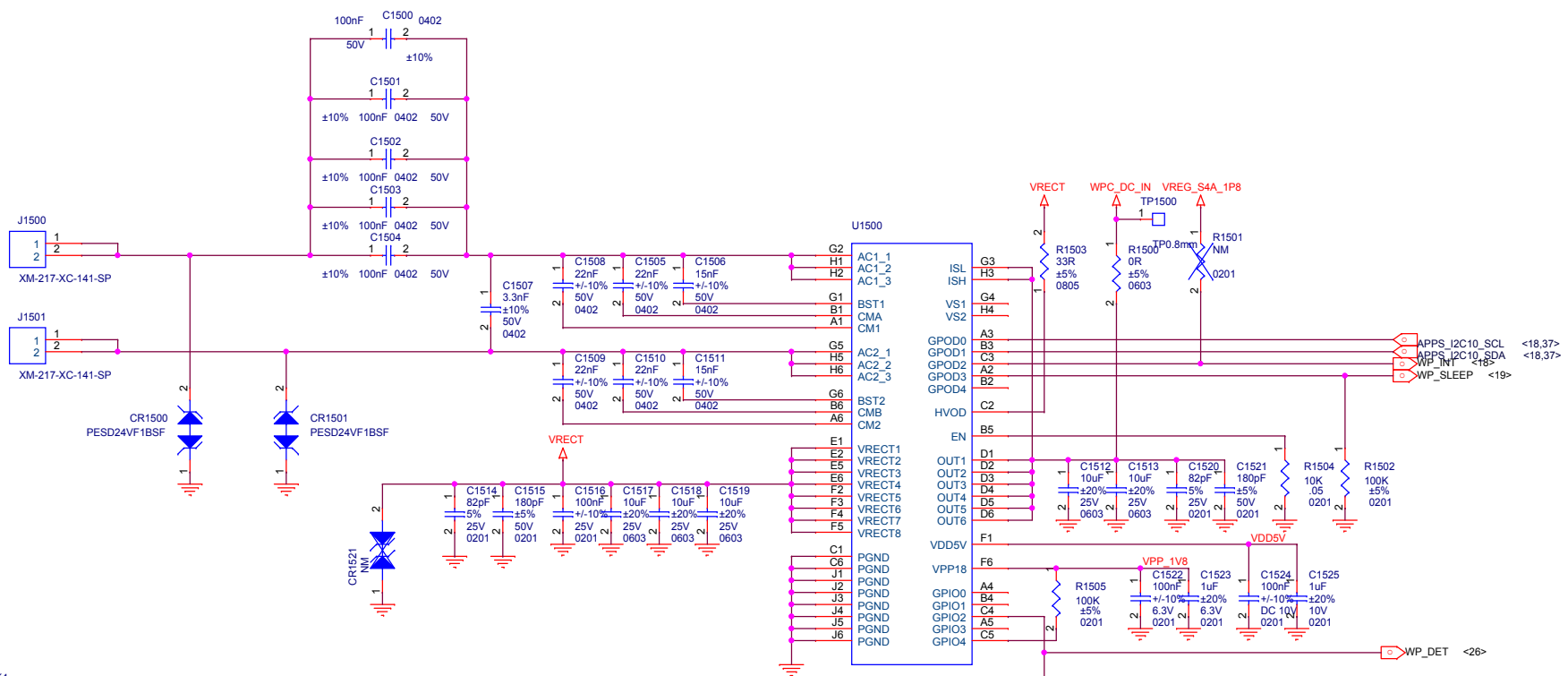


FRONT CAMERA



REAR EMI

FRONT EMI



天线的长接地弹片

CABLE

VIETMOBILE.VN

Title		E5	Rev	P1B
Size	A3	Document Number	P9229_WIPOWER	
Date:	Monday, September 03, 2018	Sheet	45	of 45