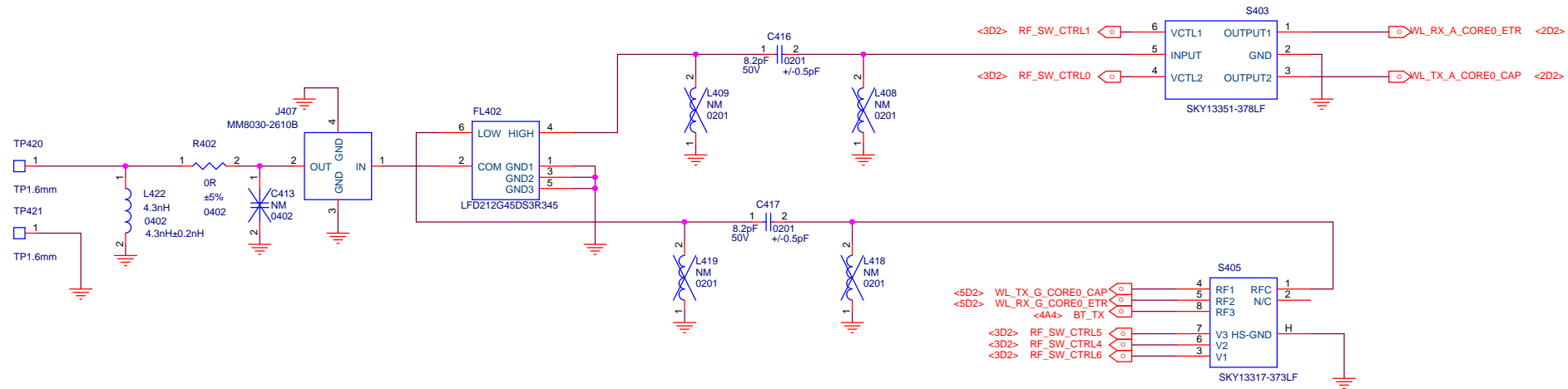
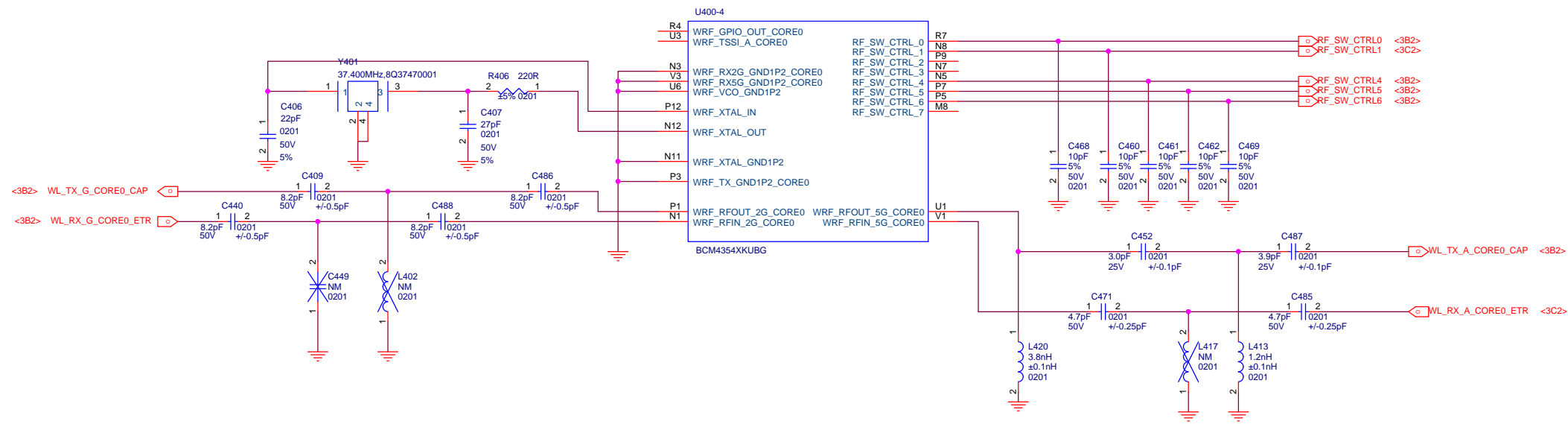
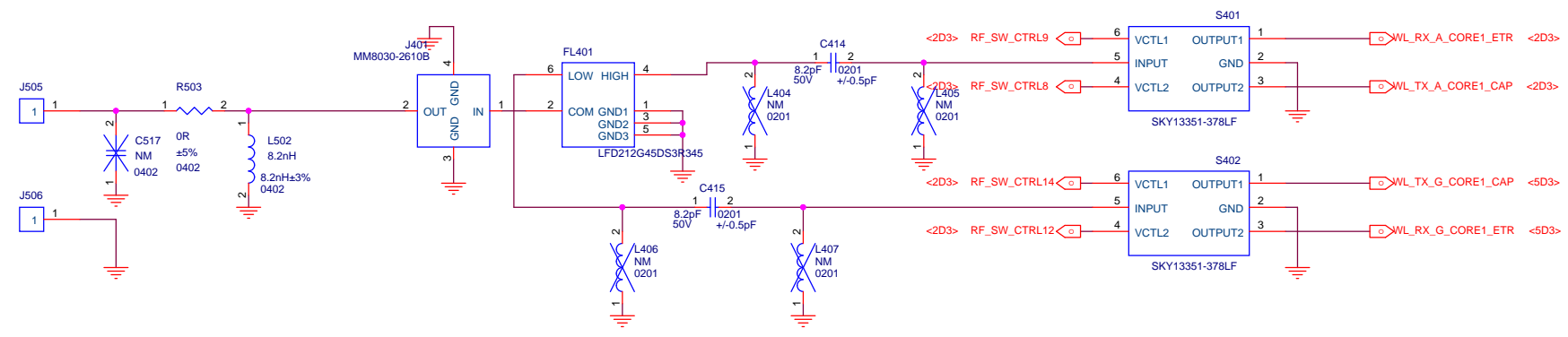
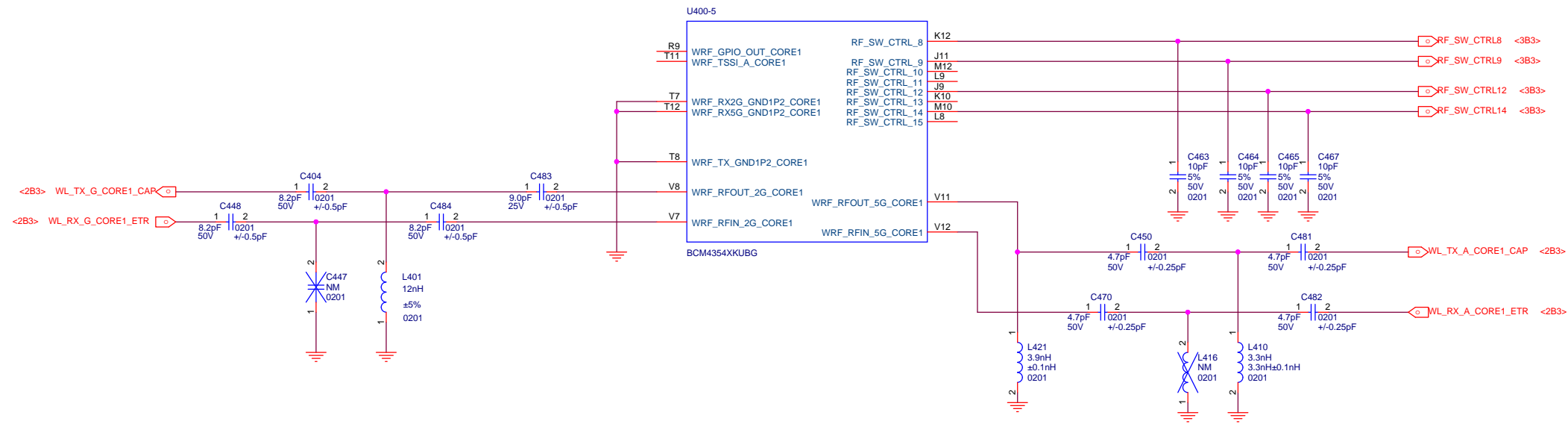
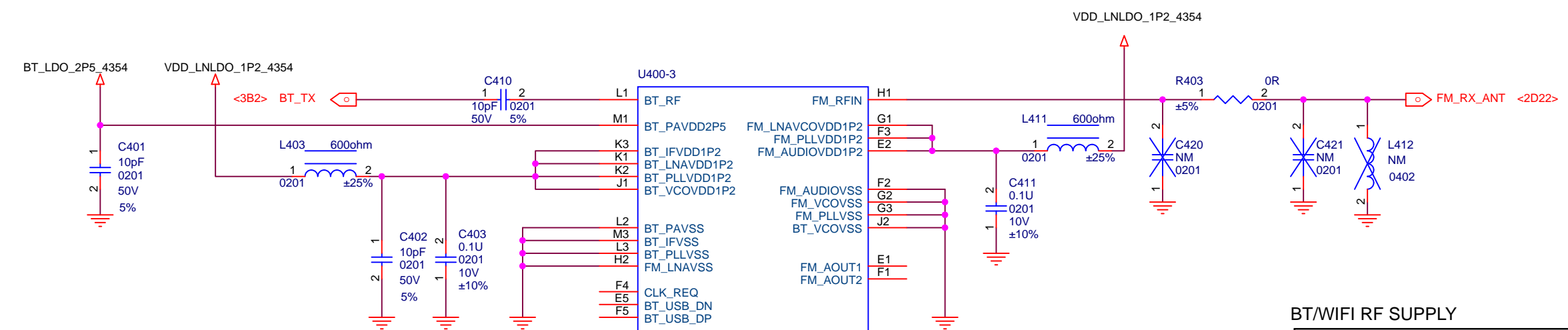
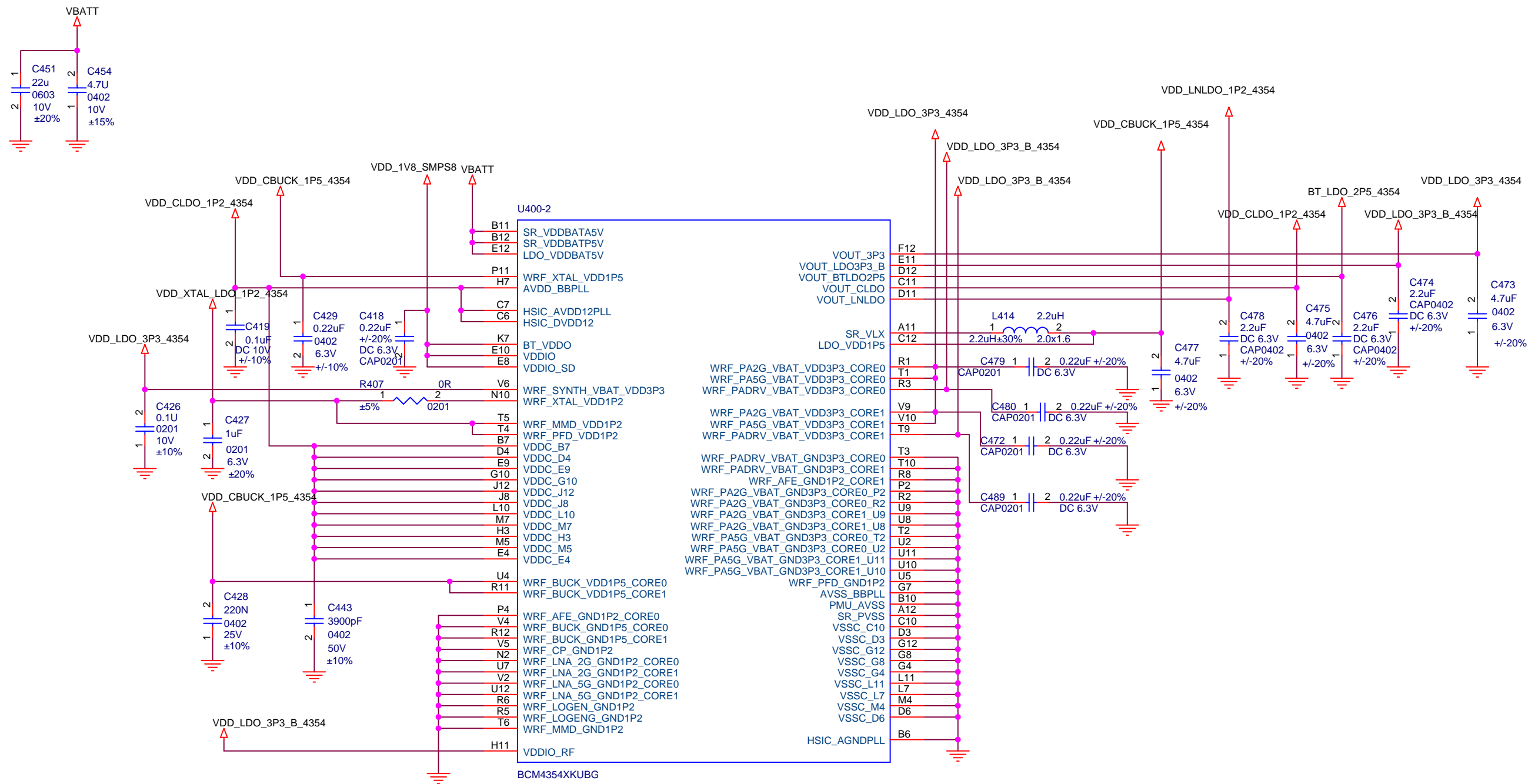


BT/WIFI INTERFACE

Title		
MI-THREE		
Size	Document Number	Rev
A3	<Doc>	P2B
Date:	Sheet 1 of 26	

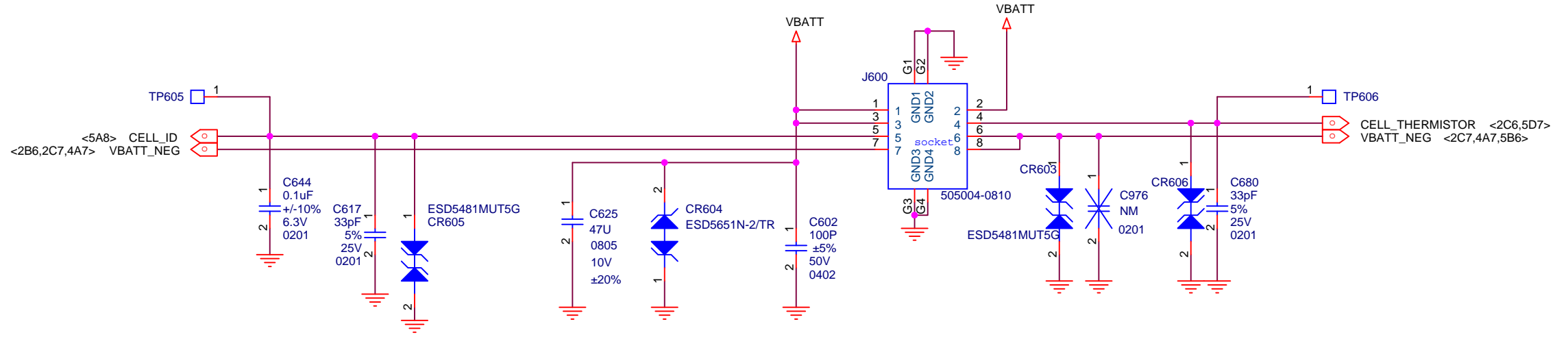
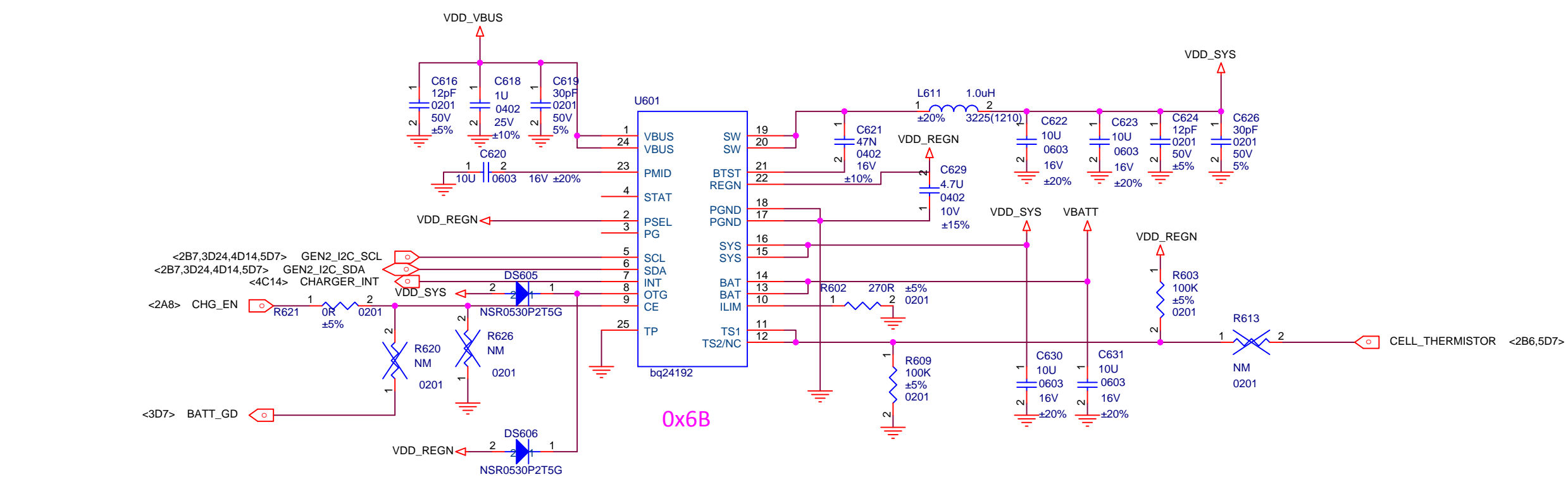






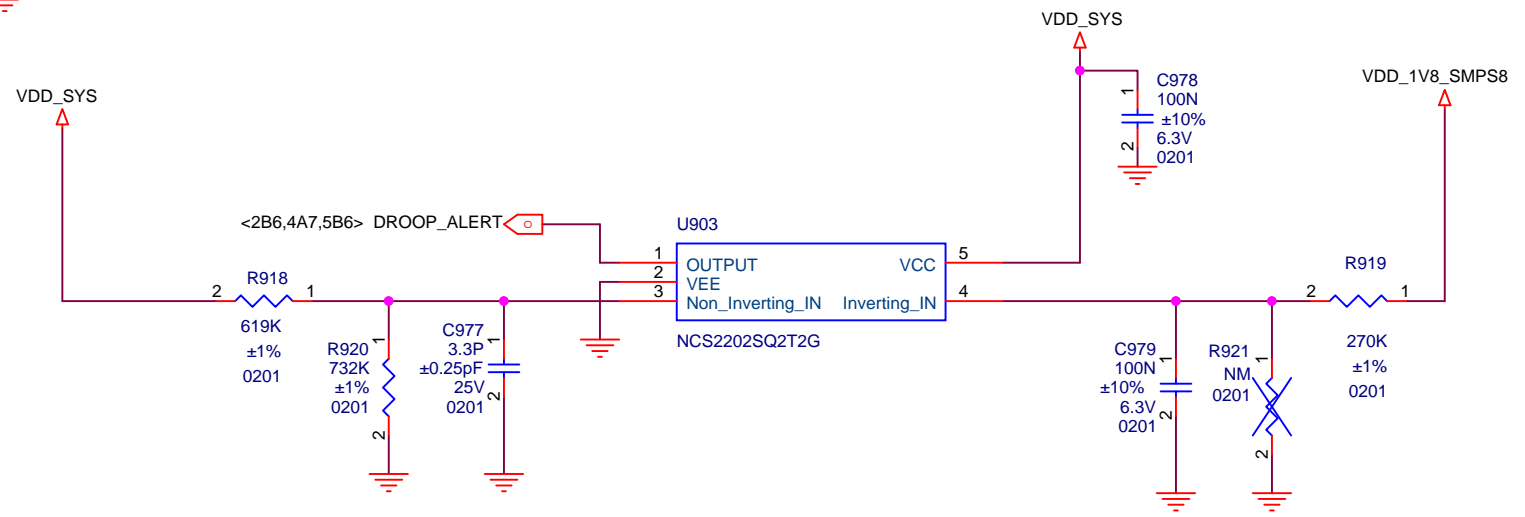
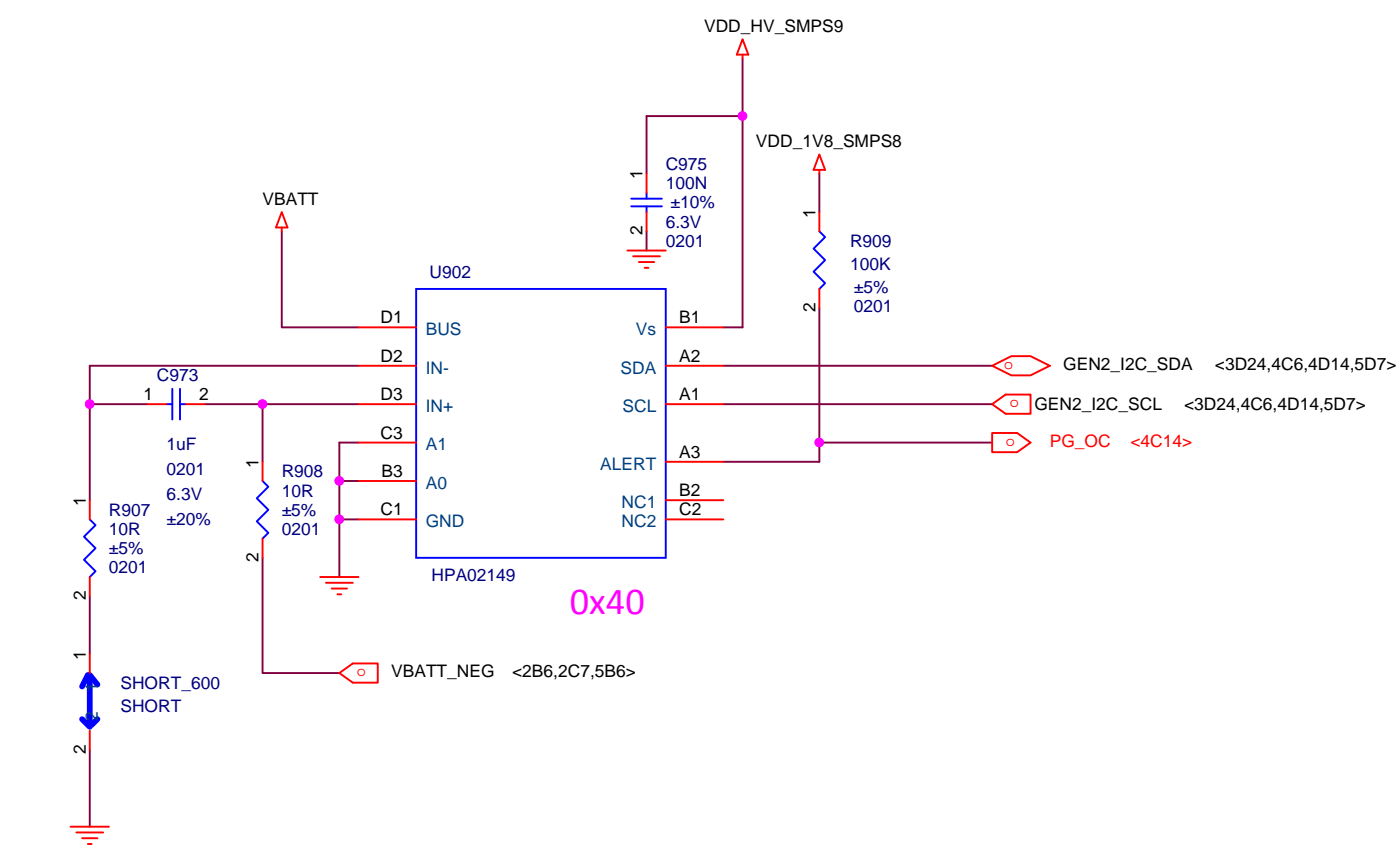
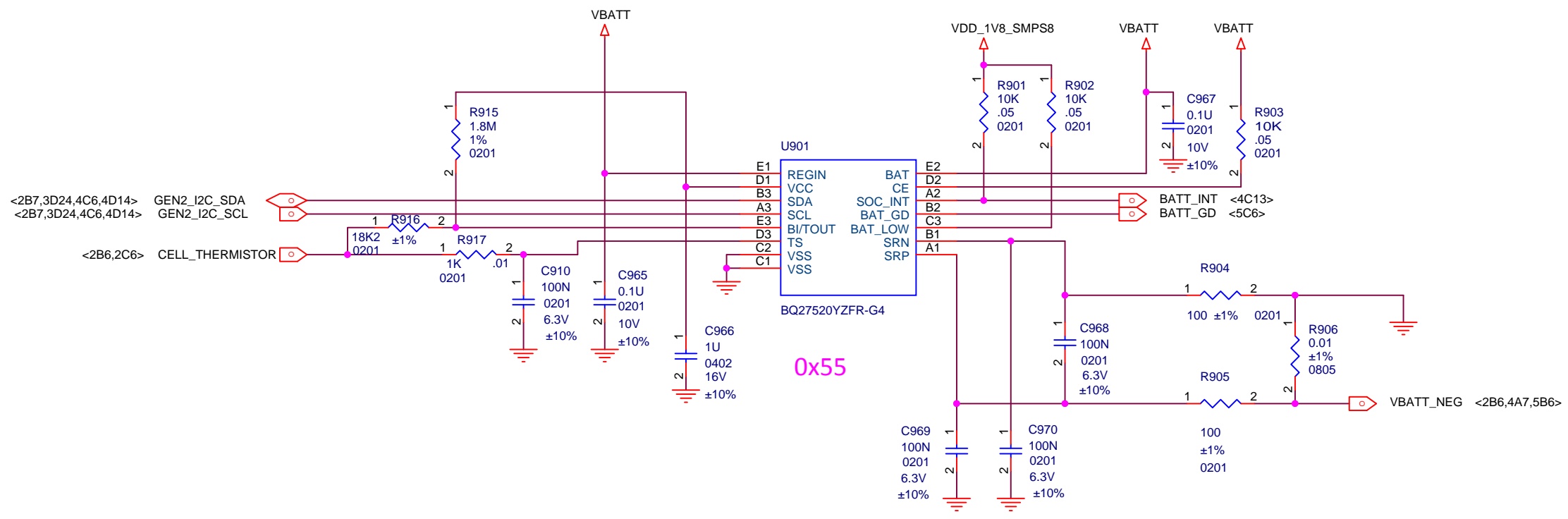
**BT/WIFI RF SUPPLY**

Title		
<b>MI-THREE</b>		
Size	Document Number	Rev
A3	<Doc>	P2B
Date:	Sheet	4 of 26



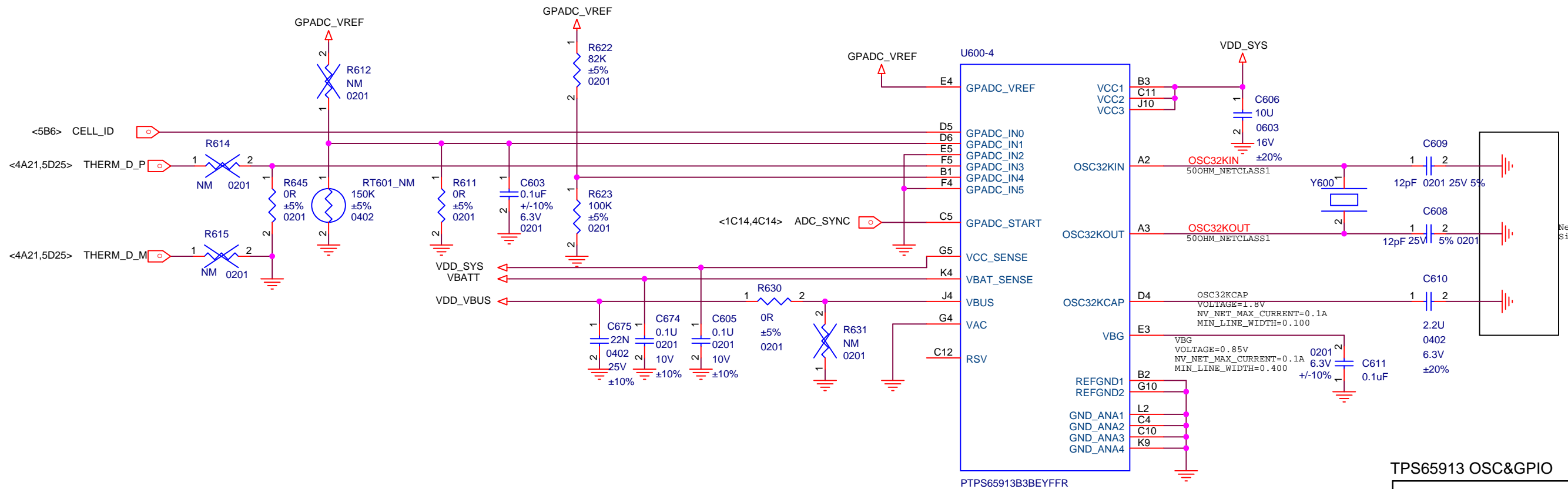
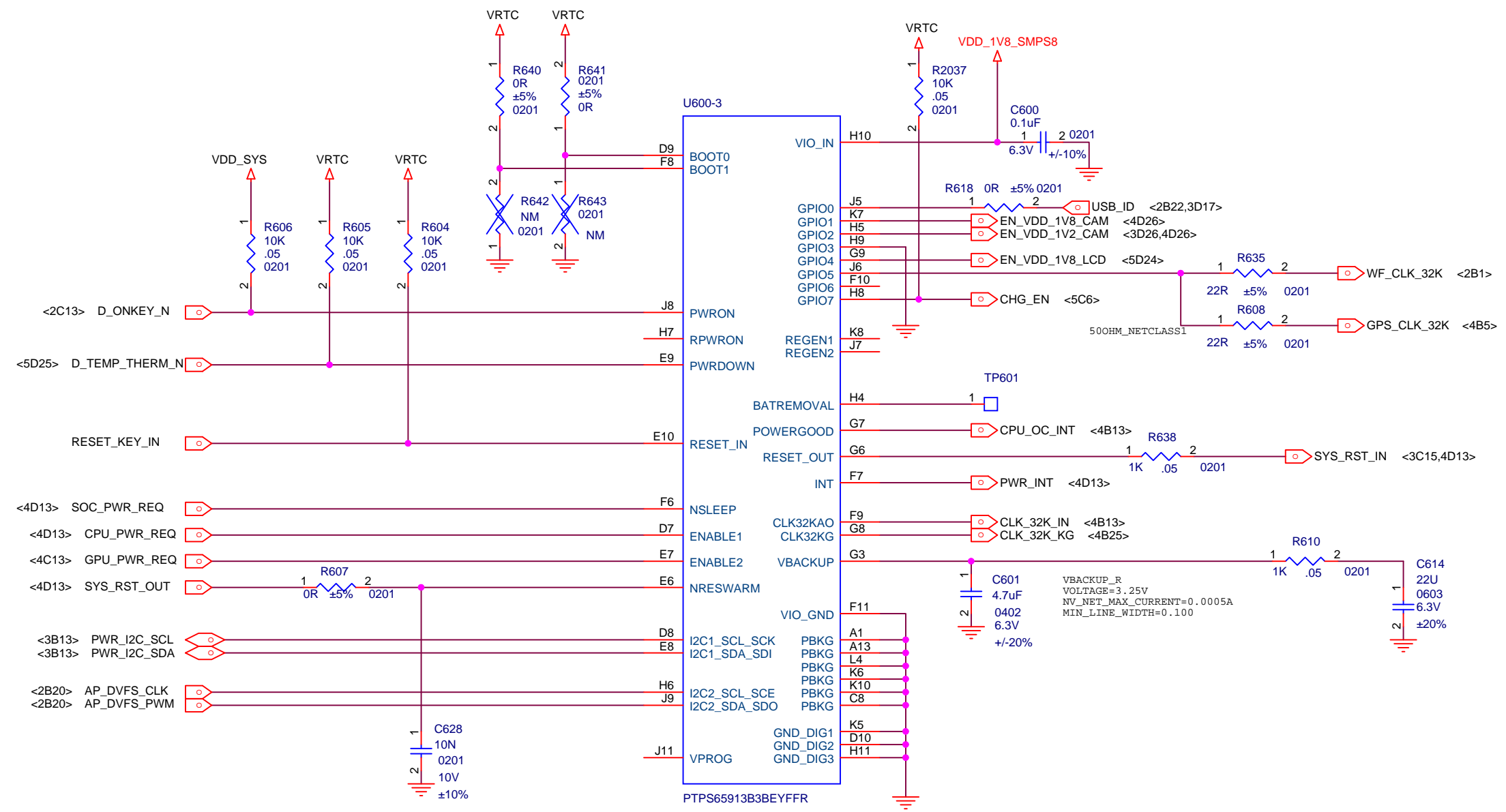
CHARGER

Title		
MI-THREE		
Size A3	Document Number <Doc>	Rev P2B
Date:	Sheet 6 of 26	



FLASH&HAPTIC

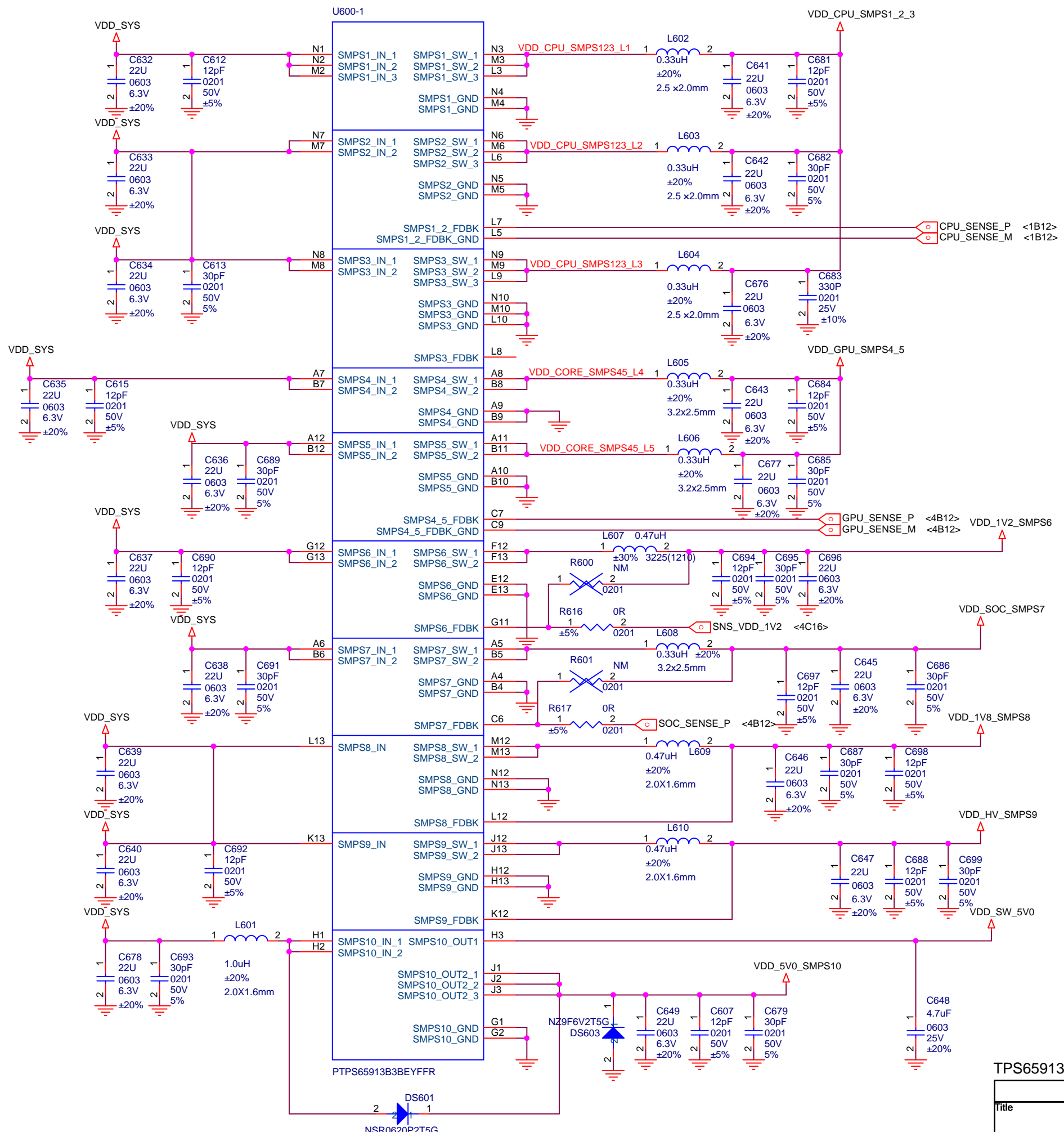
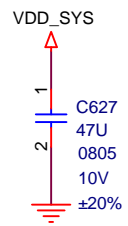
Title		
MI-THREE		
Size	Document Number	Rev
A3	<Doc>	P2B
Date:	Sheet	7 of 26



Need treat carefully  
Single Point Grounding

TPS65913 OSC&GPIO

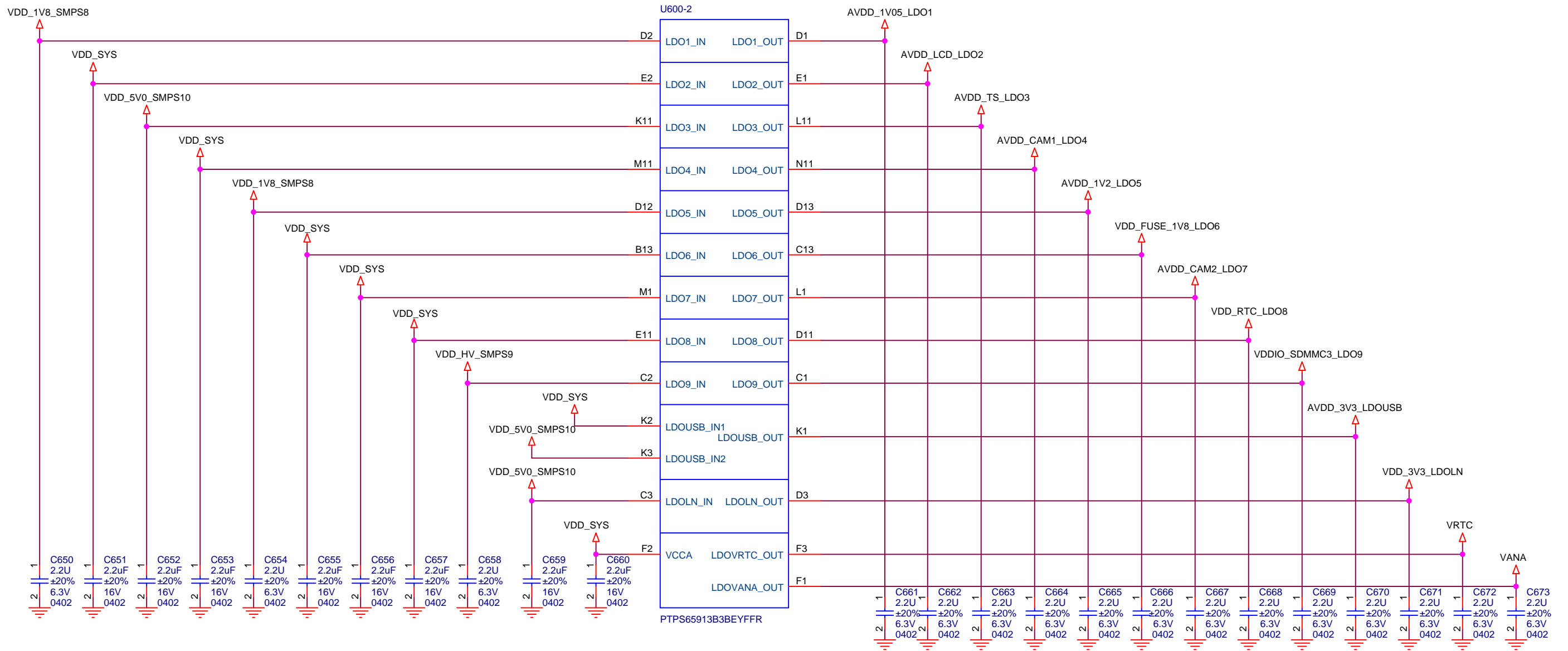
Title		
<b>MI-THREE</b>		
Size	Document Number	Rev
A3	<Doc>	P2B
Date:	Sheet 8 of 26	



TPS65913 SMPS

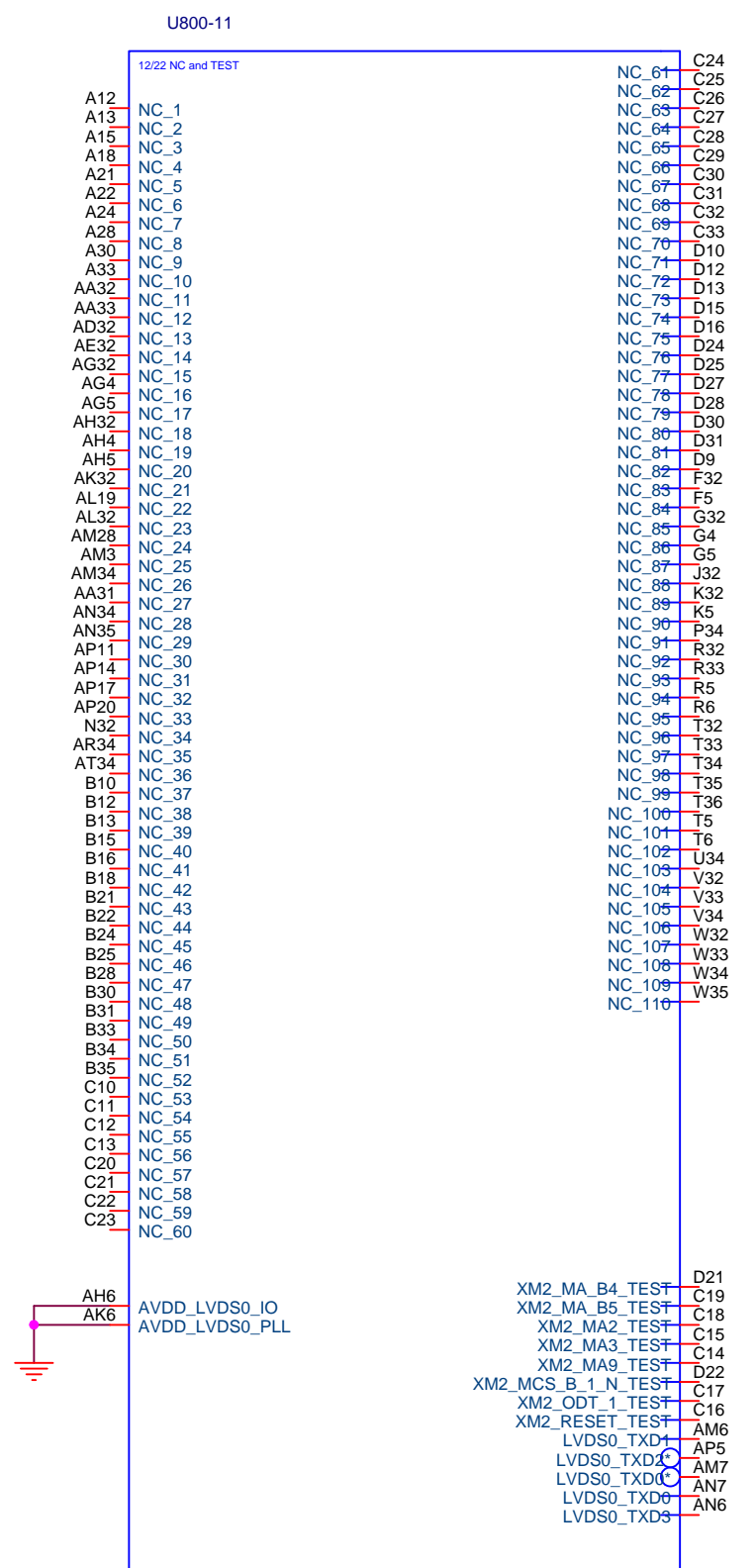
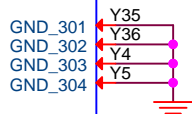
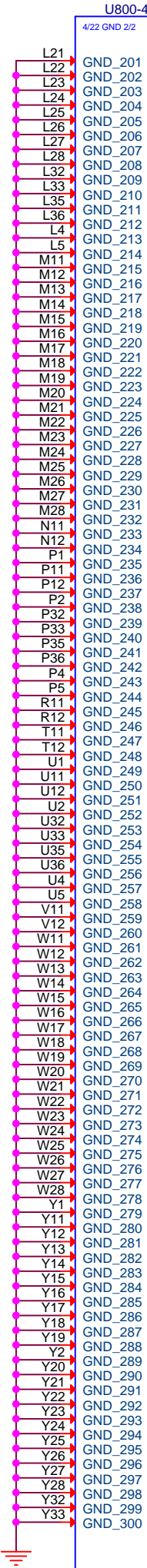
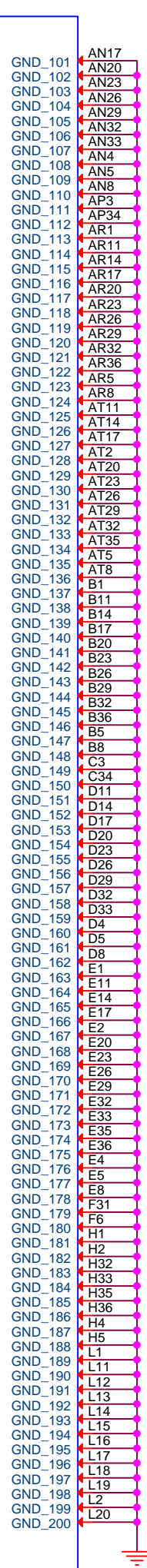
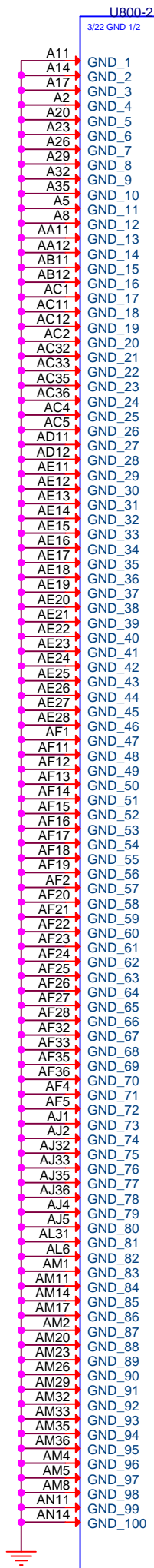
Title		
<b>MI-THREE</b>		
Size	Document Number	Rev
A3	<Doc>	P2B
Date:	Sheet 9 of 26	





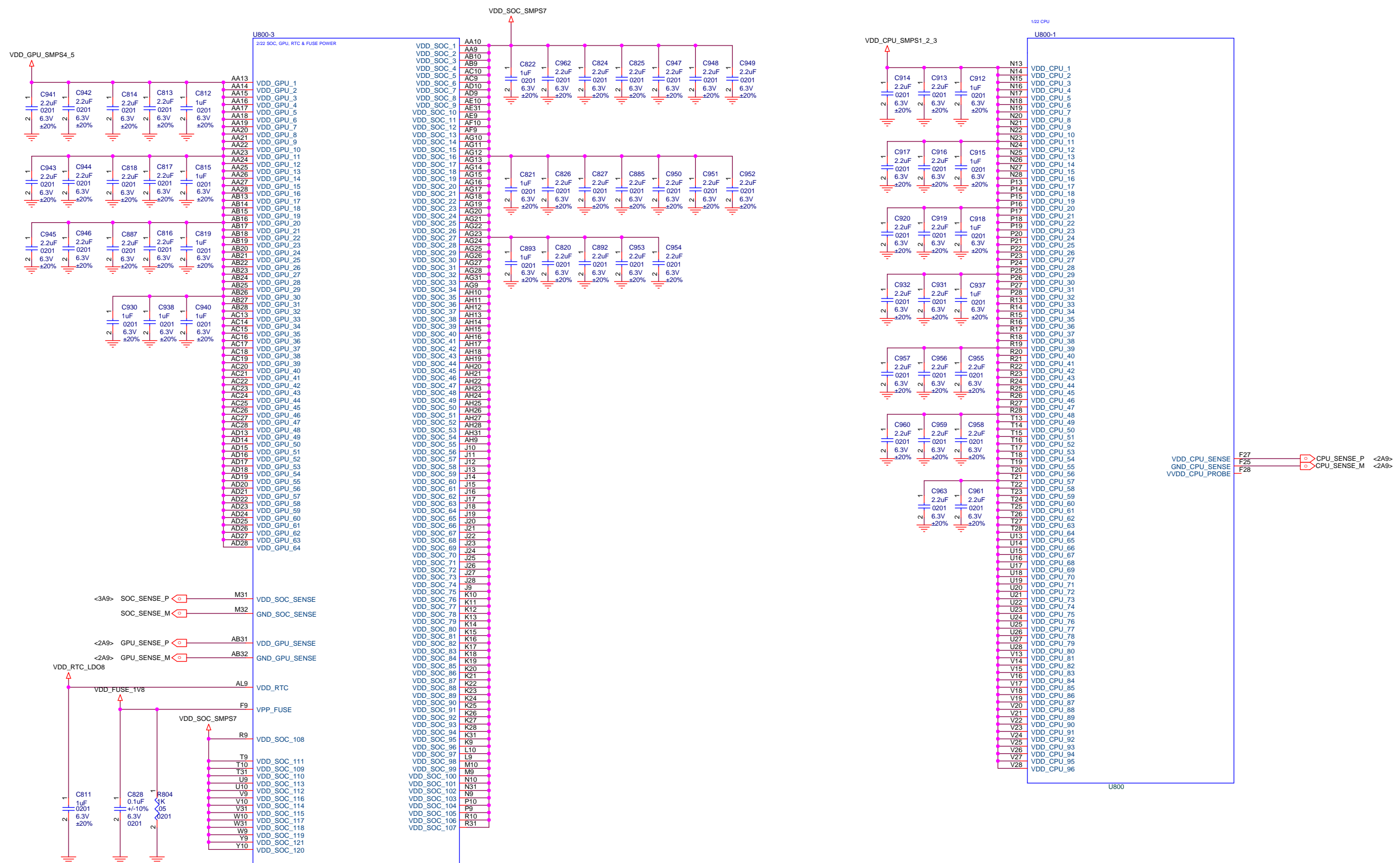
TPS65913 LDO

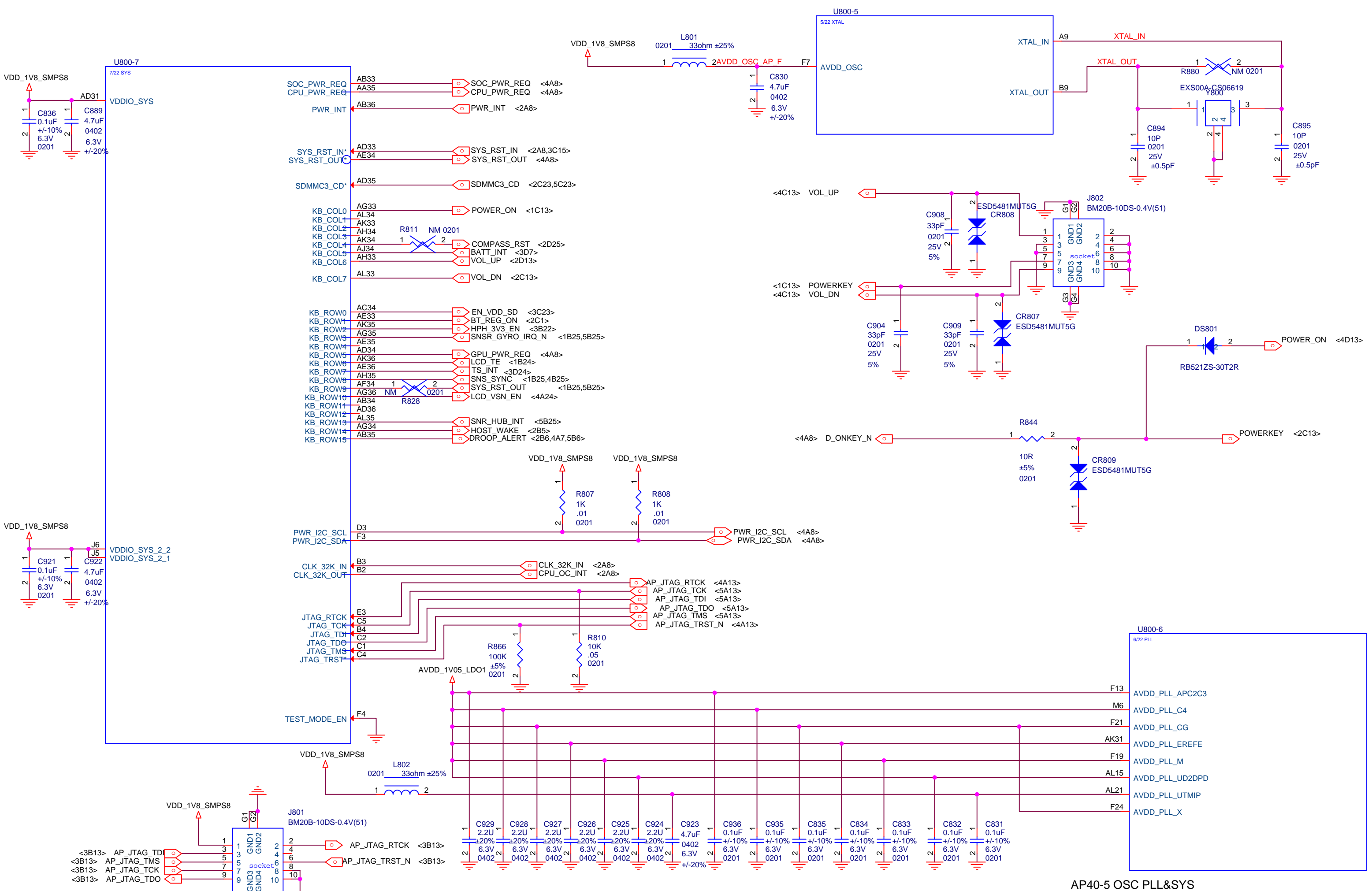
Title		
<b>MI-THREE</b>		
Size	Document Number	Rev
A3	<Doc>	P2B
Date:	Sheet 10 of 26	



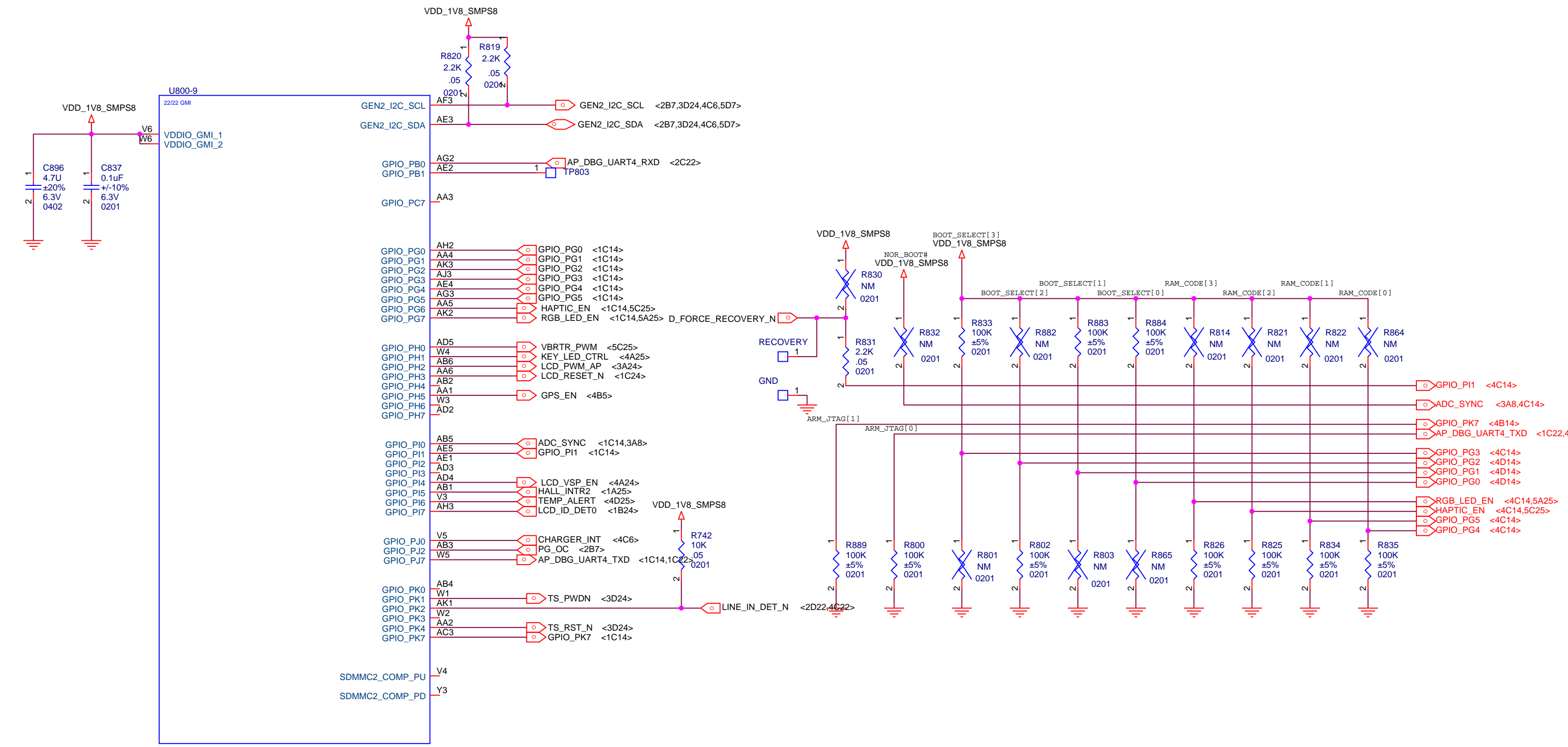
AP40-3 GND

Title		
MI-THREE		
Size	Document Number	Rev
A3	<Doc>	P2B
Date:	Sheet 11 of 26	



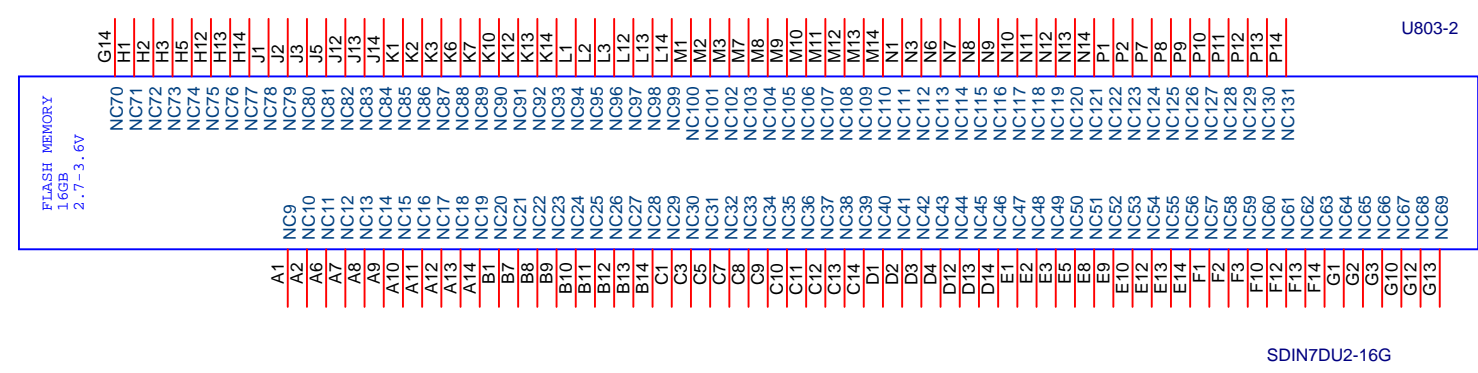
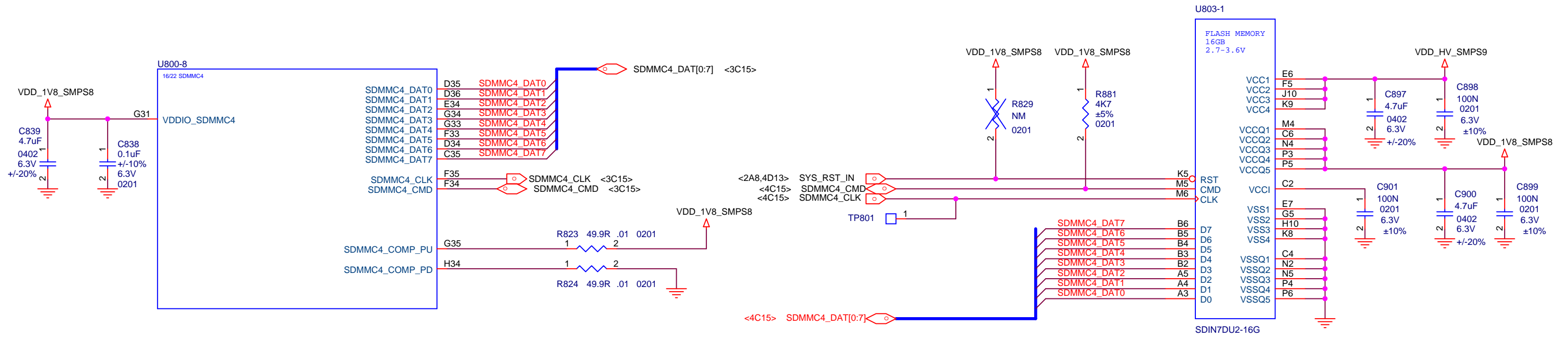


Title		
<b>MI-THREE</b>		
Size	Document Number	Rev
A3	<Doc>	P2B
Date:	Sheet 13 of 26	



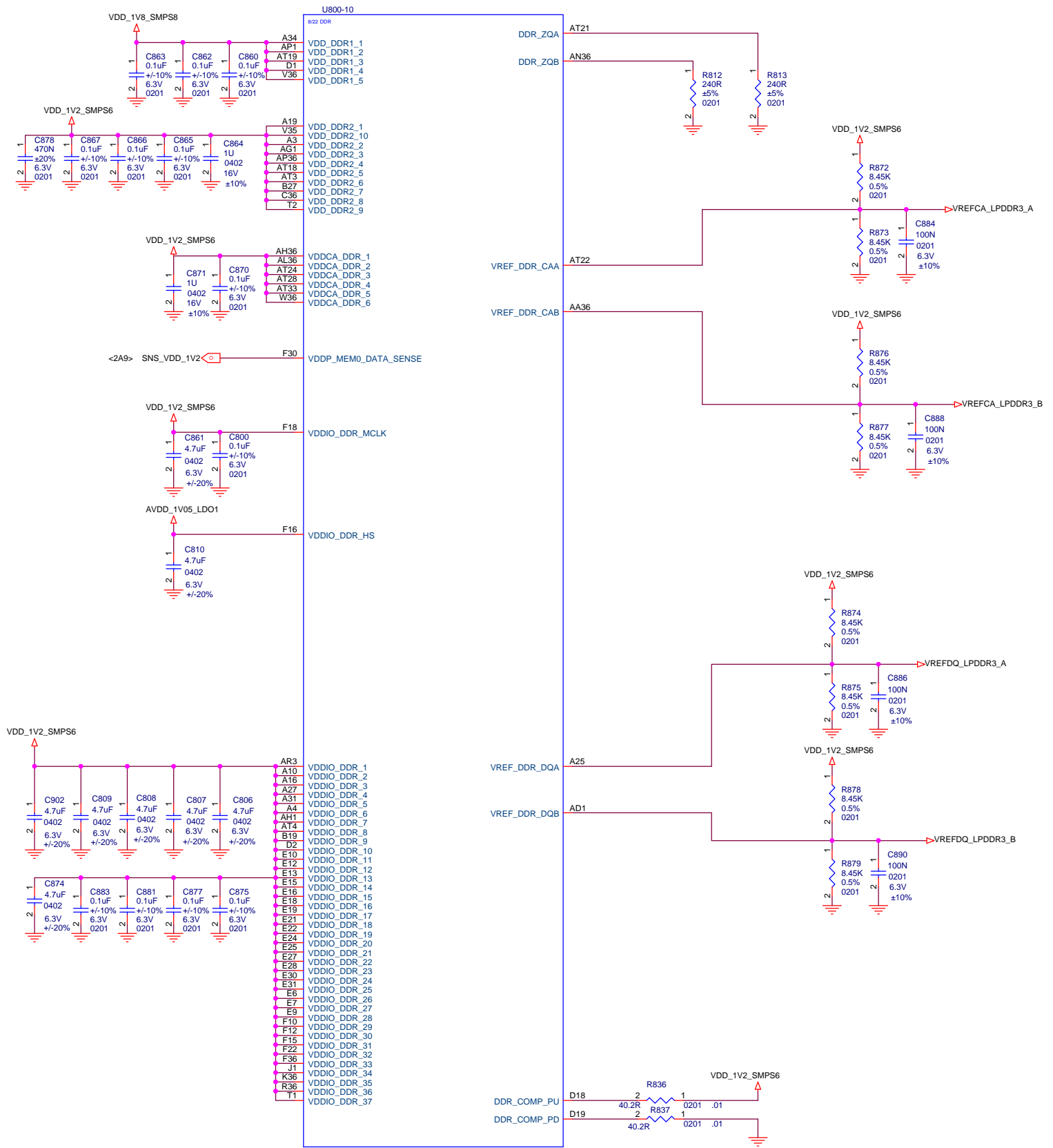
AP40-6 GMI

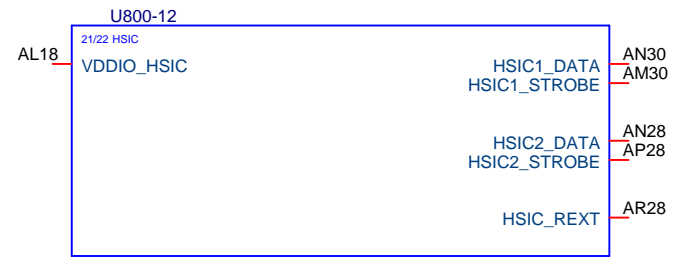
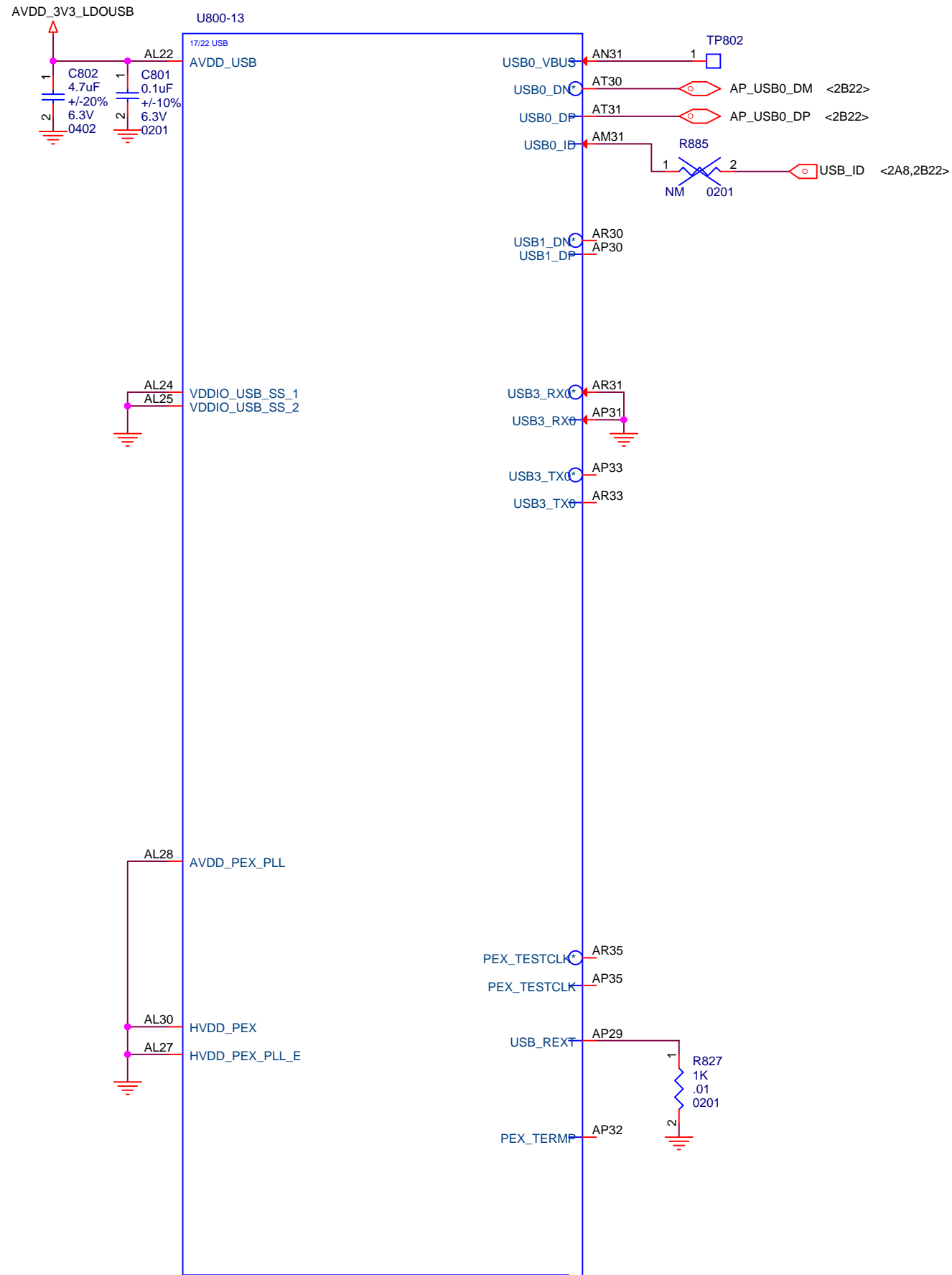
Title		
<b>MI-THREE</b>		
Size	Document Number	Rev
A3	<Doc>	P2B
Date:	Sheet 14 of 26	



AP40 EMMC

Title		
<b>MI-THREE</b>		
Size	Document Number	Rev
A3	<Doc>	P2B
Date:	Sheet	15 of 26

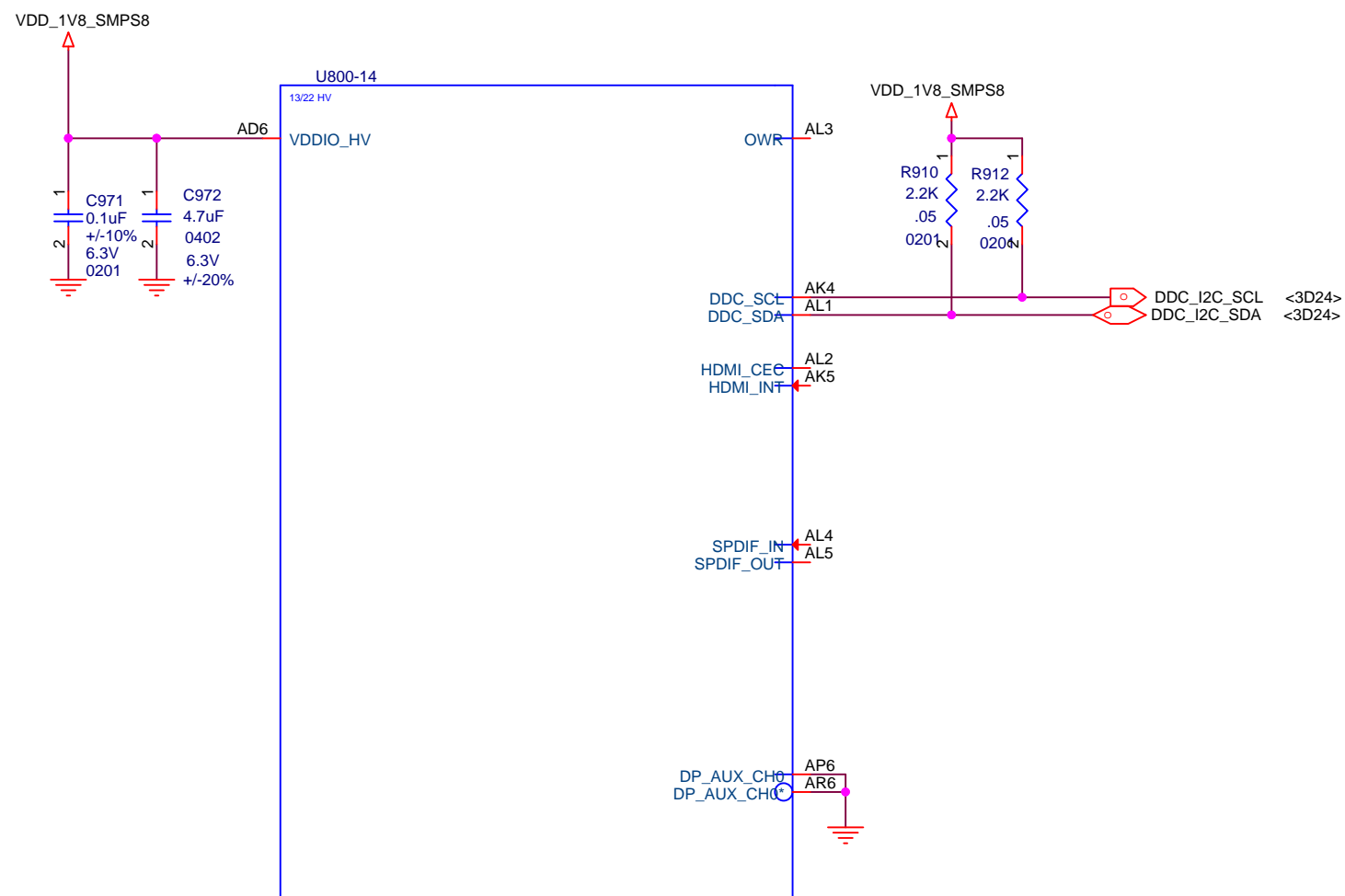
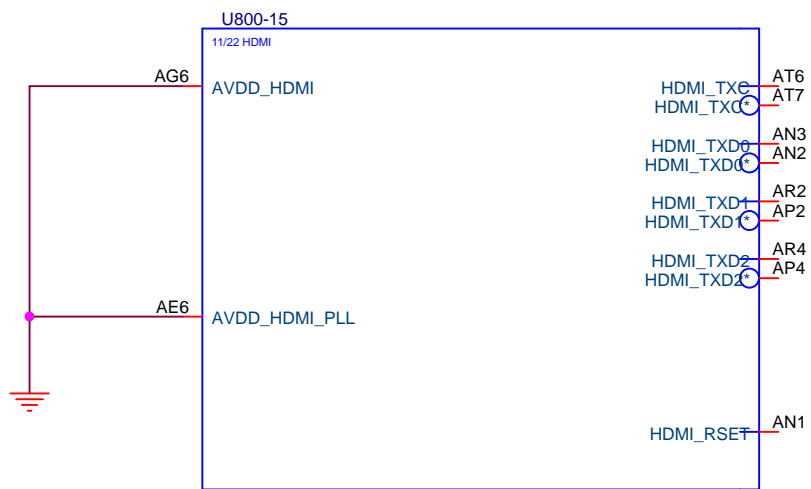




AP50 USB

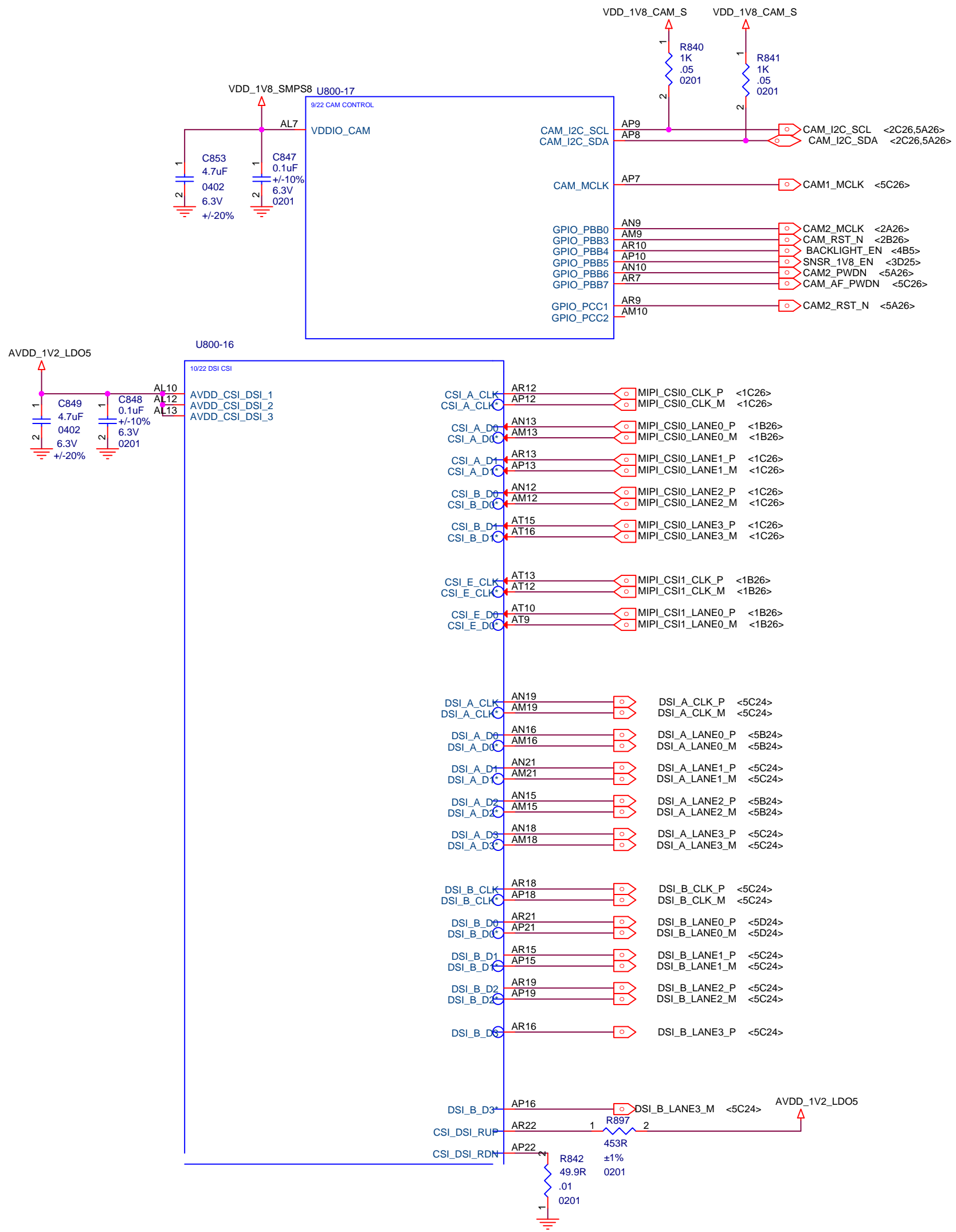
Title			MI-PAD		
Size	Document Number				Rev
A3	<Doc>				P2B
Date:	Sheet 17 of 26				





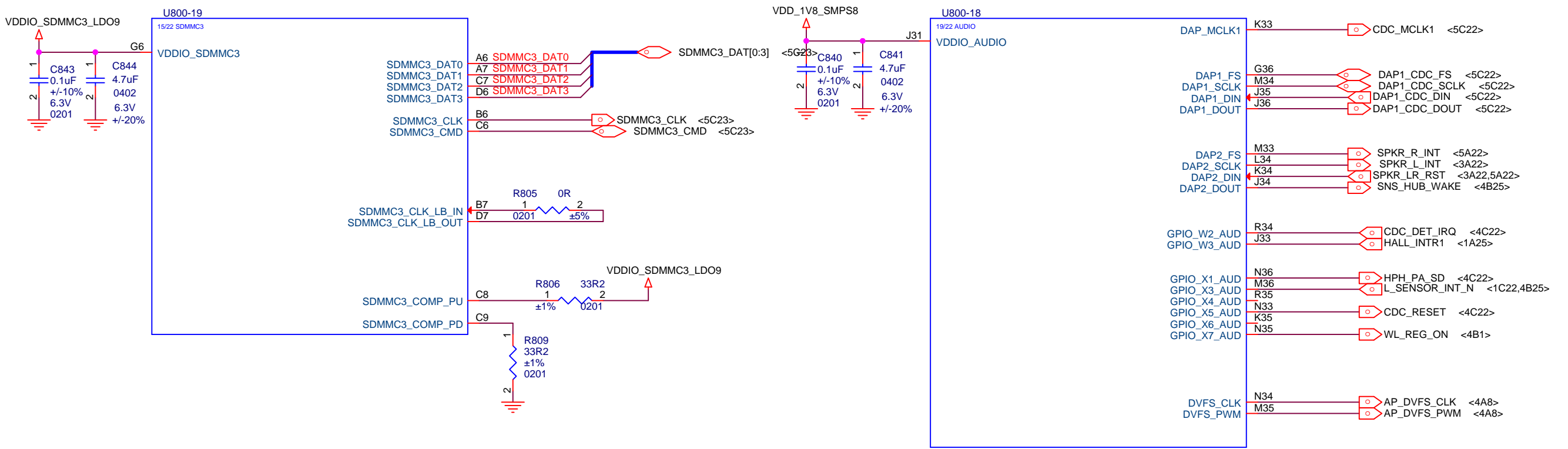
HDMI

Title		
MI-THREE		
Size	Document Number	Rev
A3	<Doc>	P2B
Date:	Sheet 18 of 26	



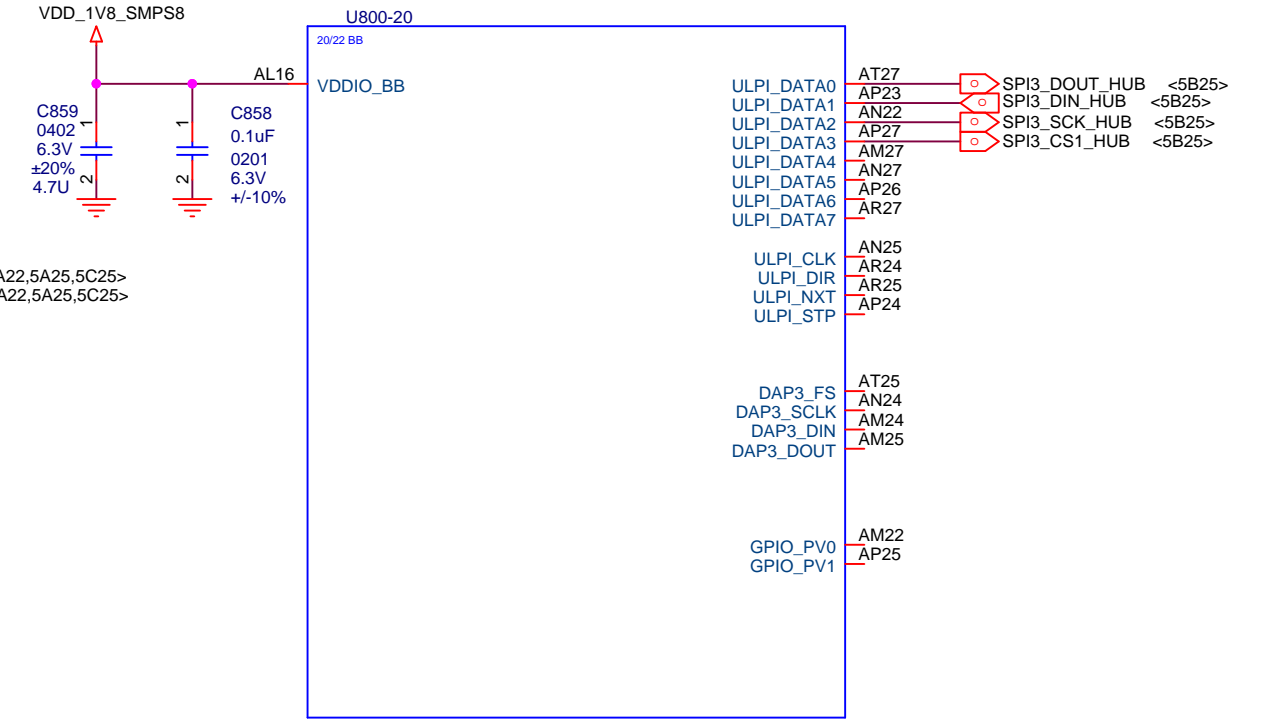
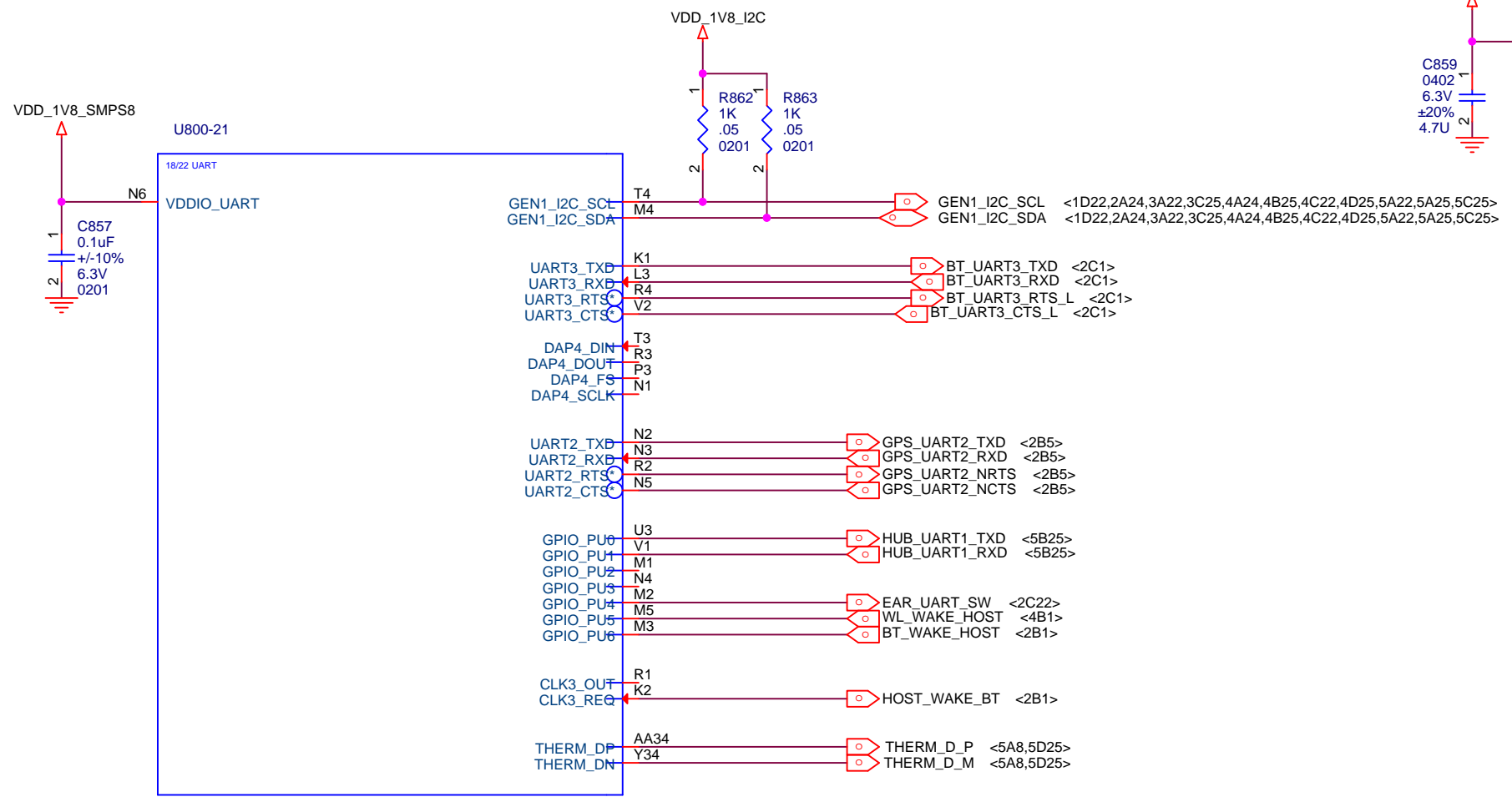
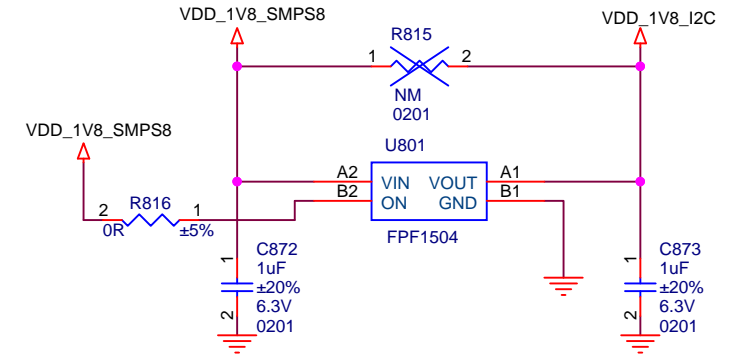
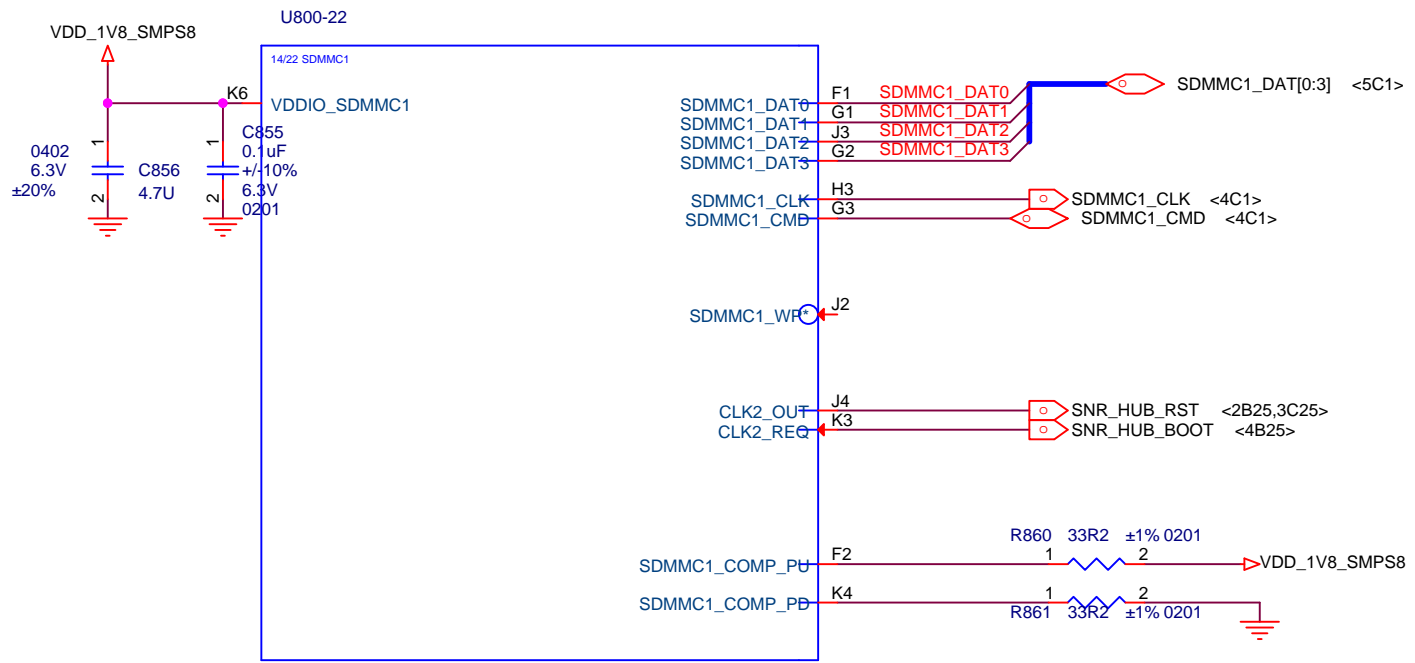
AP40 CAM CSI/DSI

Title		
<b>MI-THREE</b>		
Size	Document Number	Rev
A3	<Doc>	P2B
Date:	Sheet 19 of 26	



AP40 SD

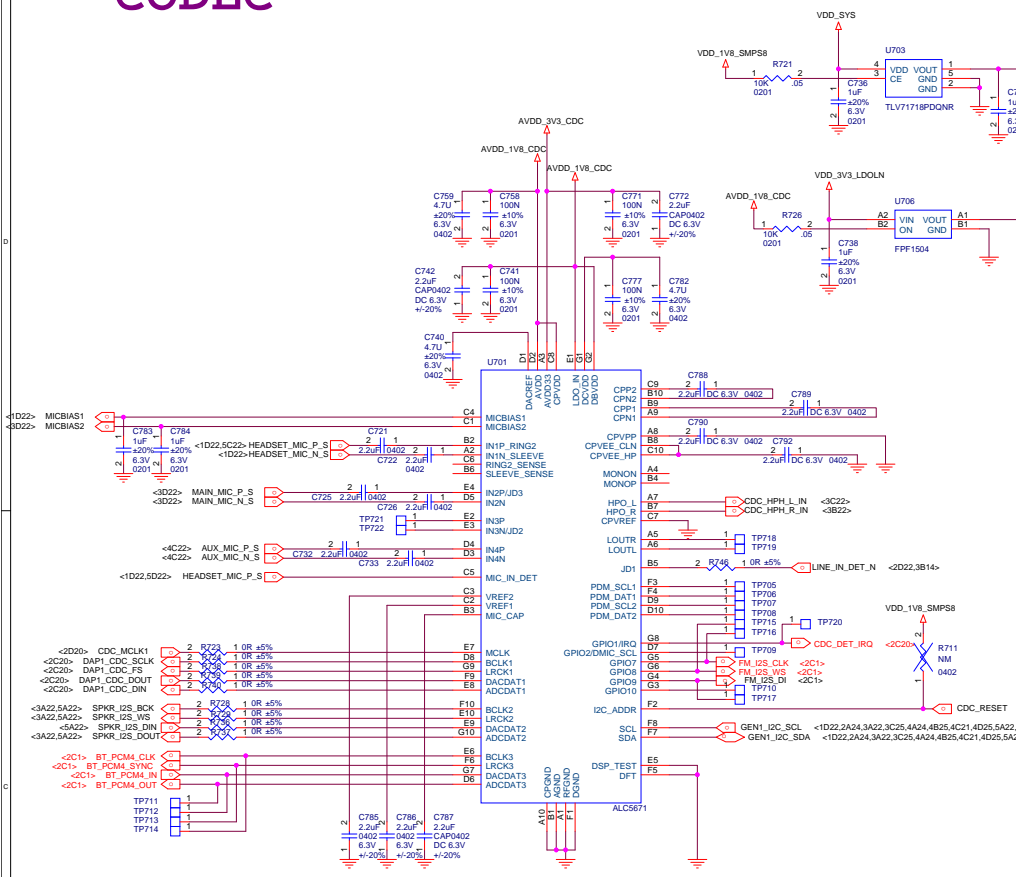
Title		
MI-THREE		
Size	Document Number	Rev
A3	<Doc>	P2B
Date:	Sheet 20 of 26	



AP40 UARD&BB

Title		
<b>MI-THREE</b>		
Size	Document Number	Rev
A3	<Doc>	P2B
Date:	Sheet 21 of 26	

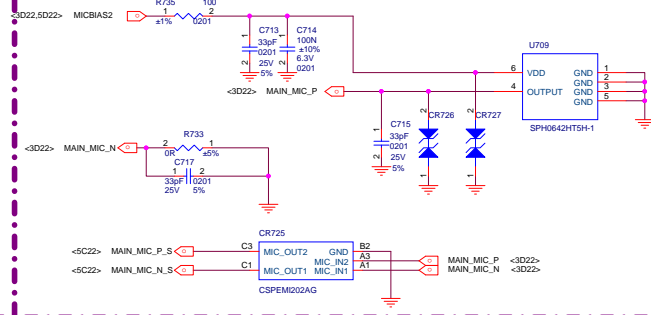
# CODEC



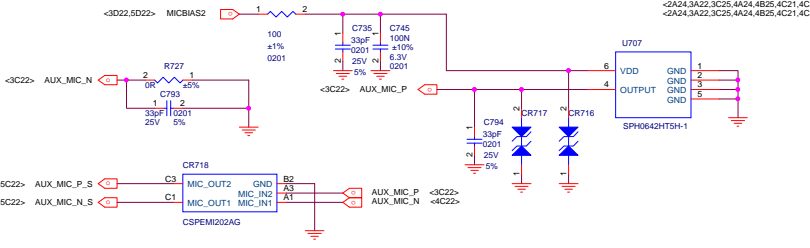
ADDR=1;0x1D

0X95

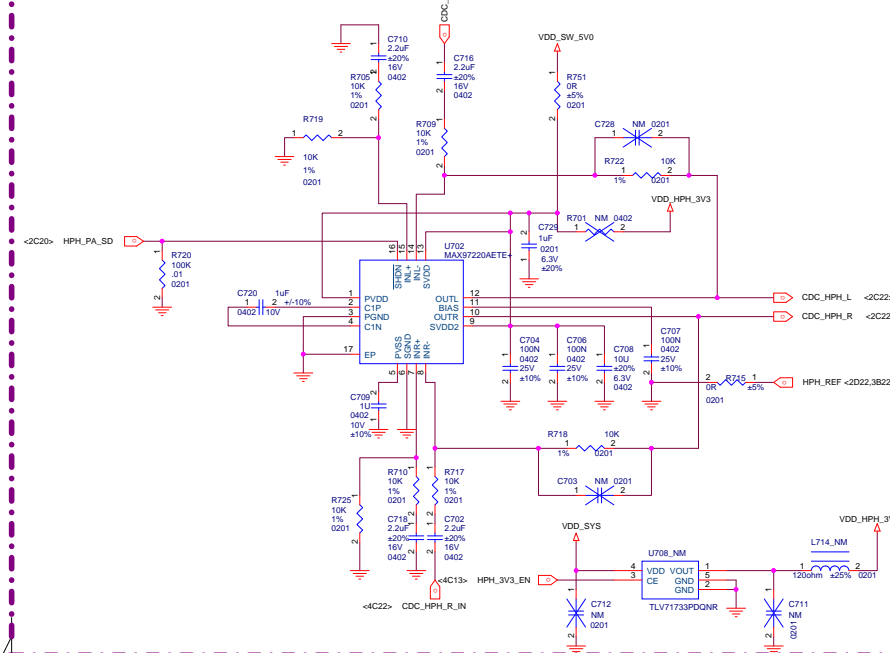
# MAIN Mic



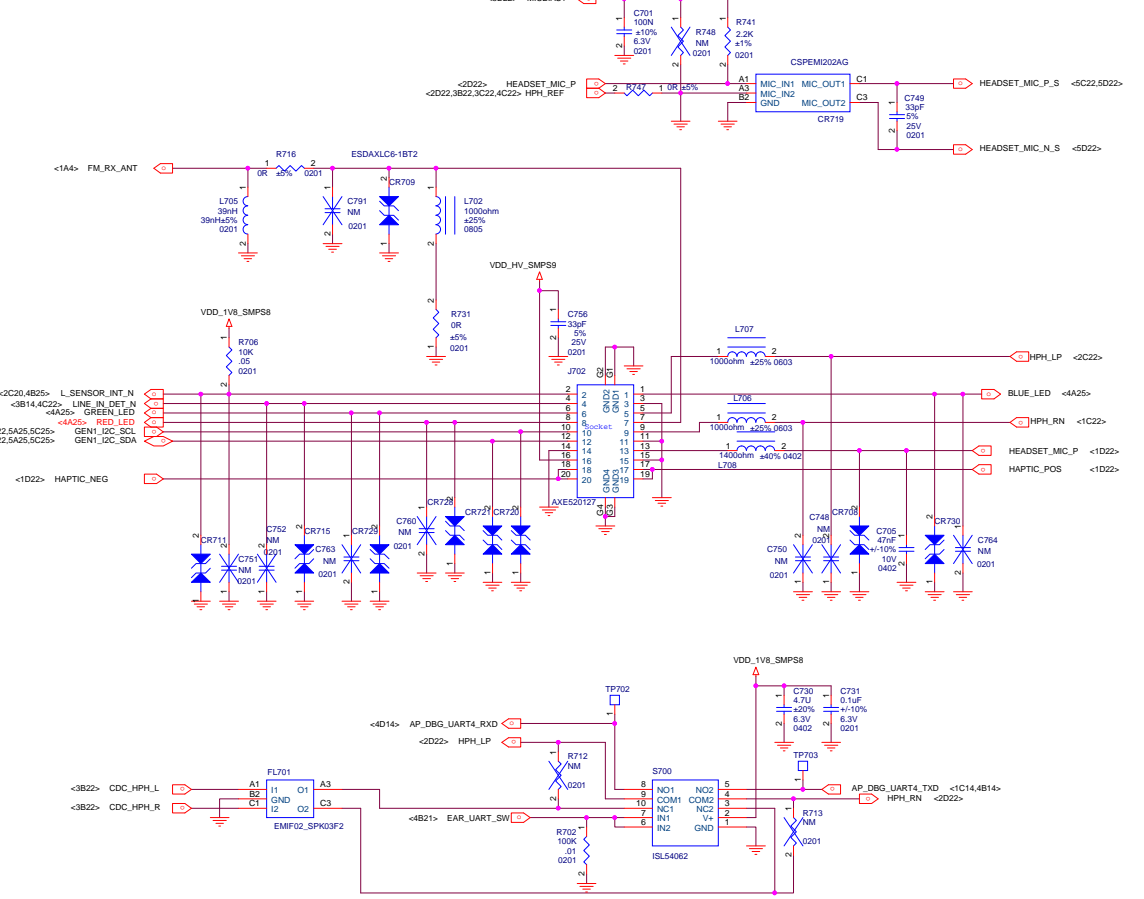
# AUX Mic



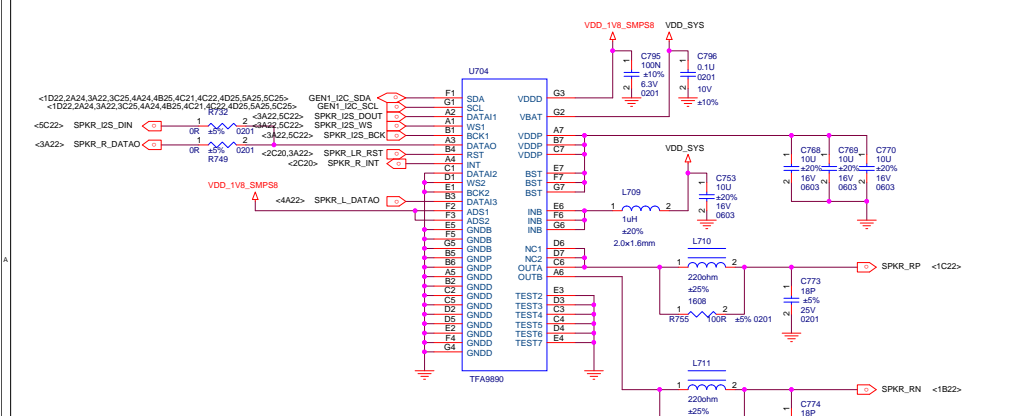
# HEADPHONE PA



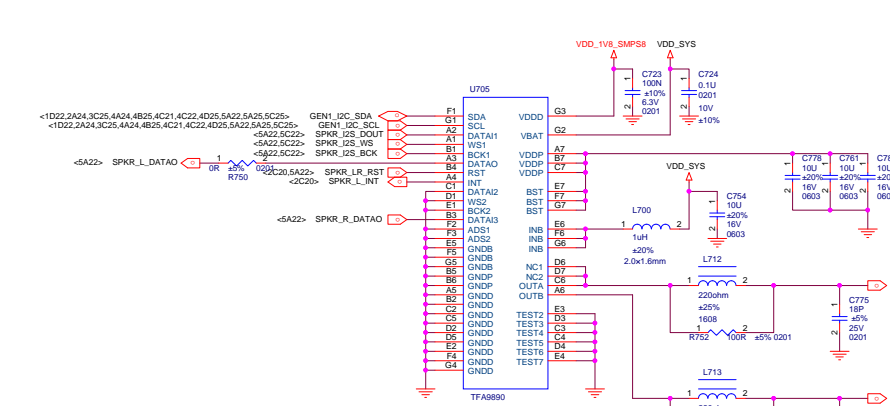
# HEADSET



# SPEAKER

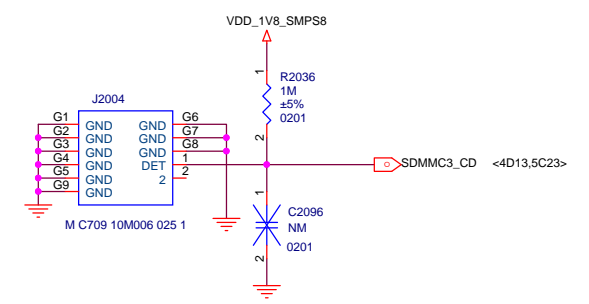
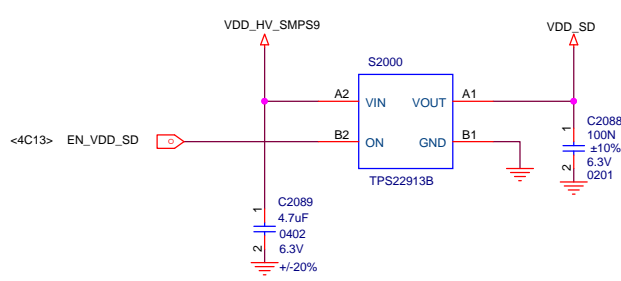
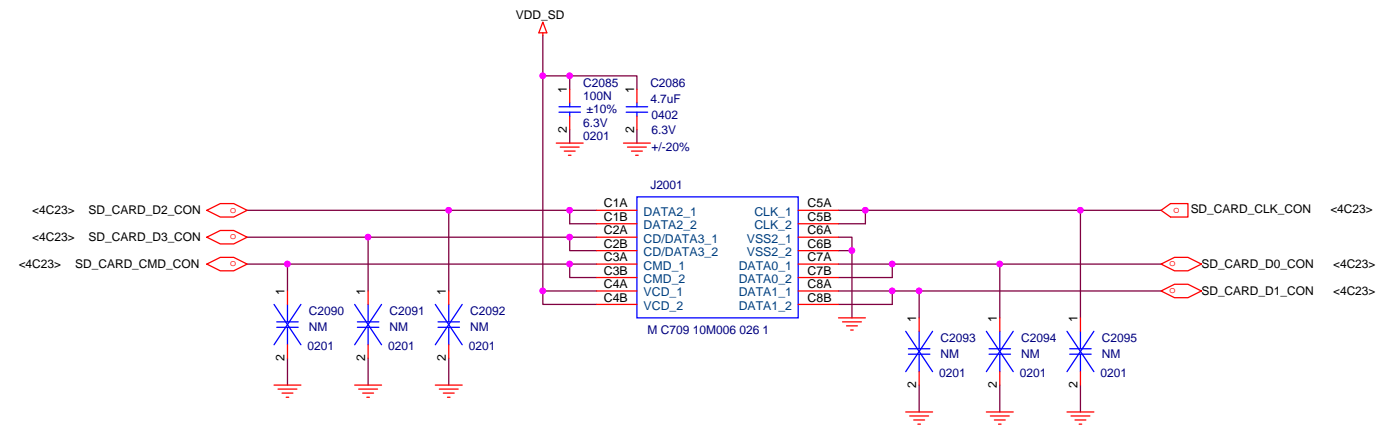
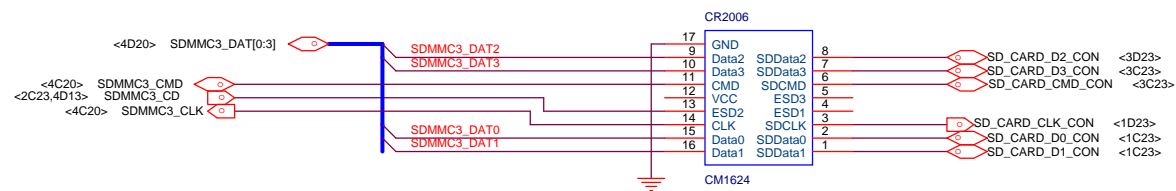


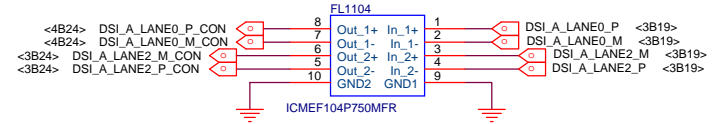
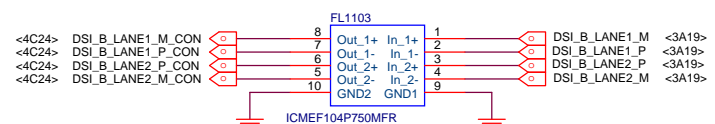
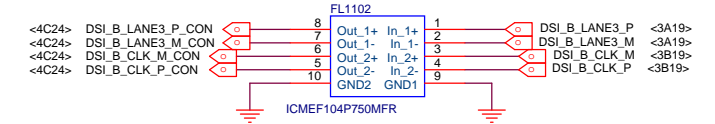
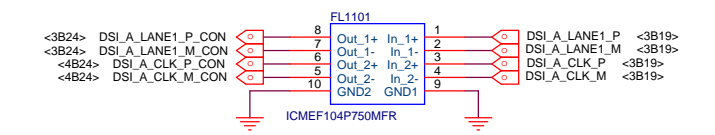
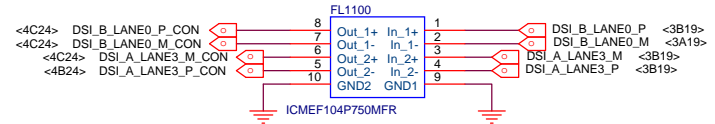
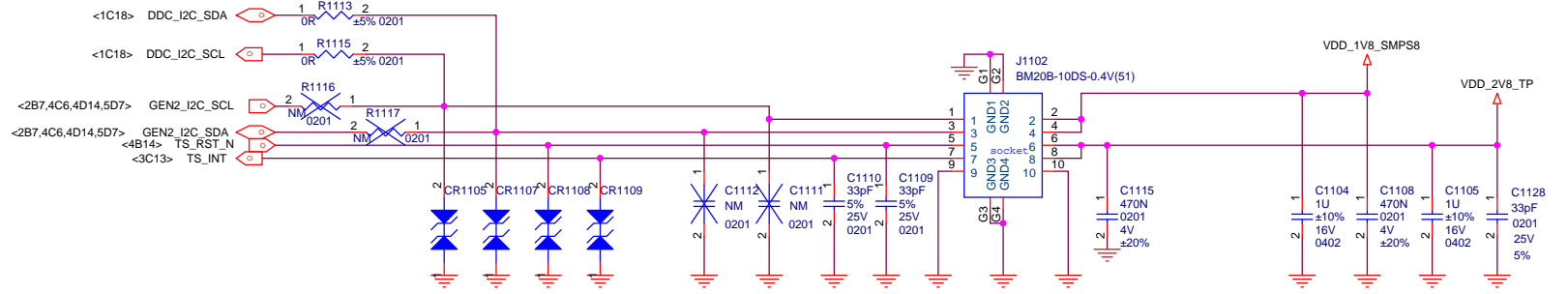
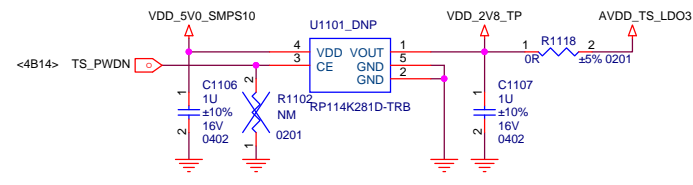
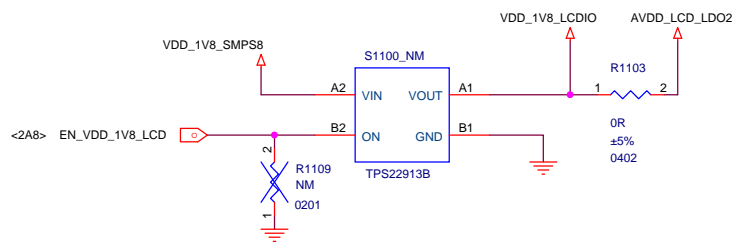
ADS2=0;ADS1=0;0x34



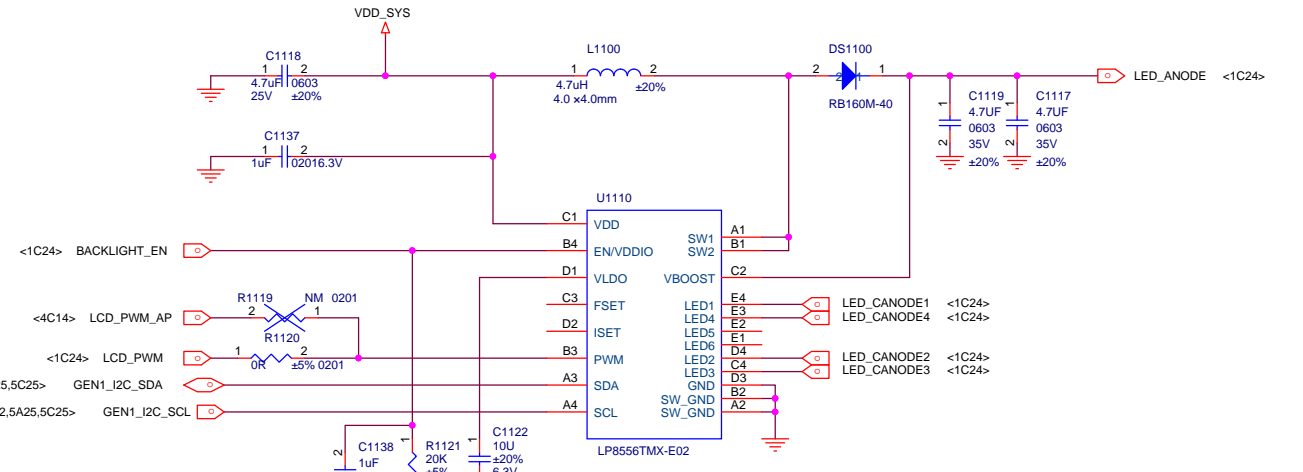
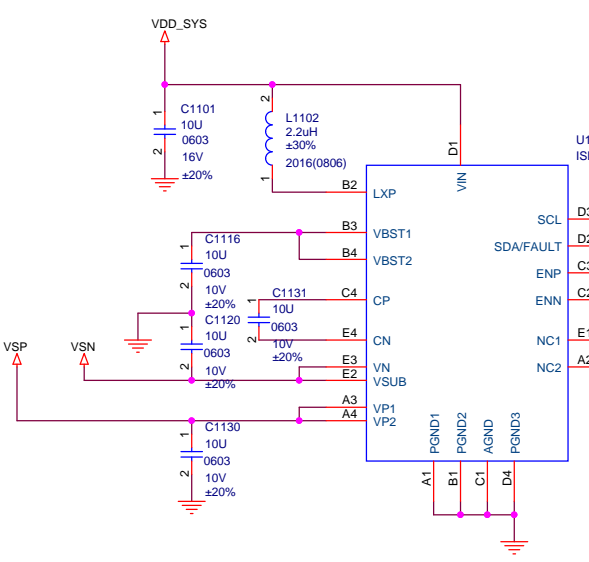
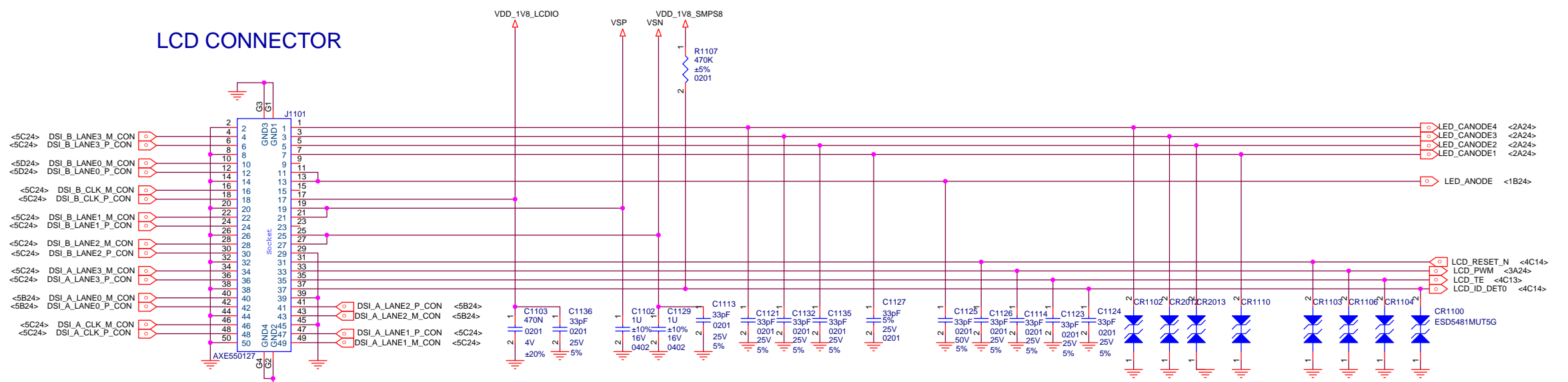
ADS2=1;ADS1=1;0x37

File	<Title>
Size	Document Number
A1	<Doc>
Date:	Wednesday, May 14, 2014
Sheet	22 of 28





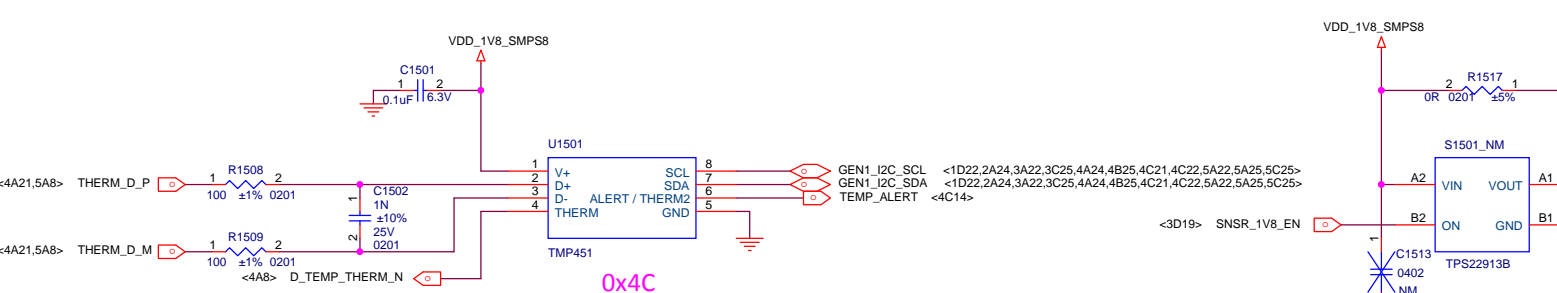
LCD CONNECTOR



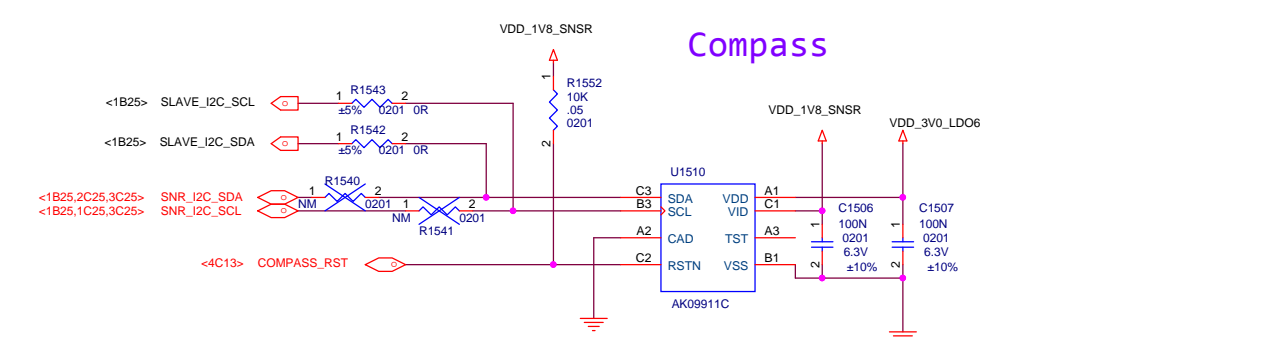
0x29

0x2C

LCD		
Title		
MI-THREE		
Size	Document Number	Rev
A2	<Doc>	P2B
Date:	Sheet 24 of 26	

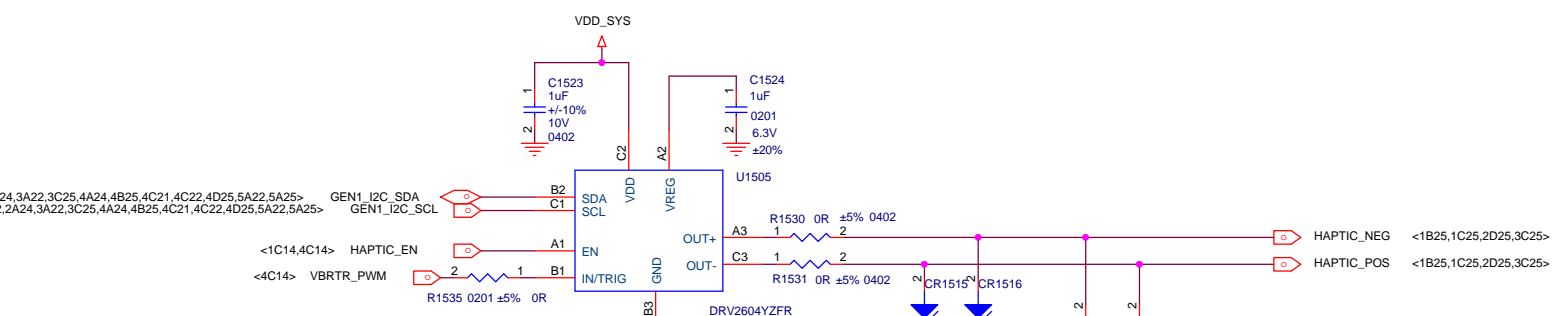


0x4C

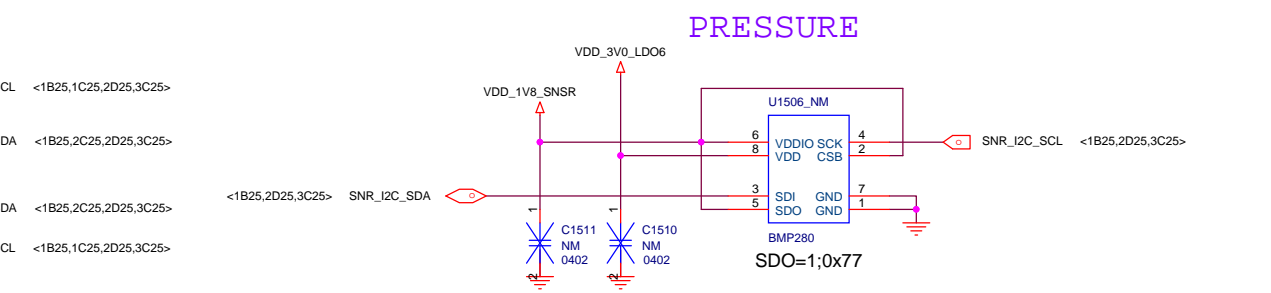


Compass

CAD1=0;CAD0=0 0x0C

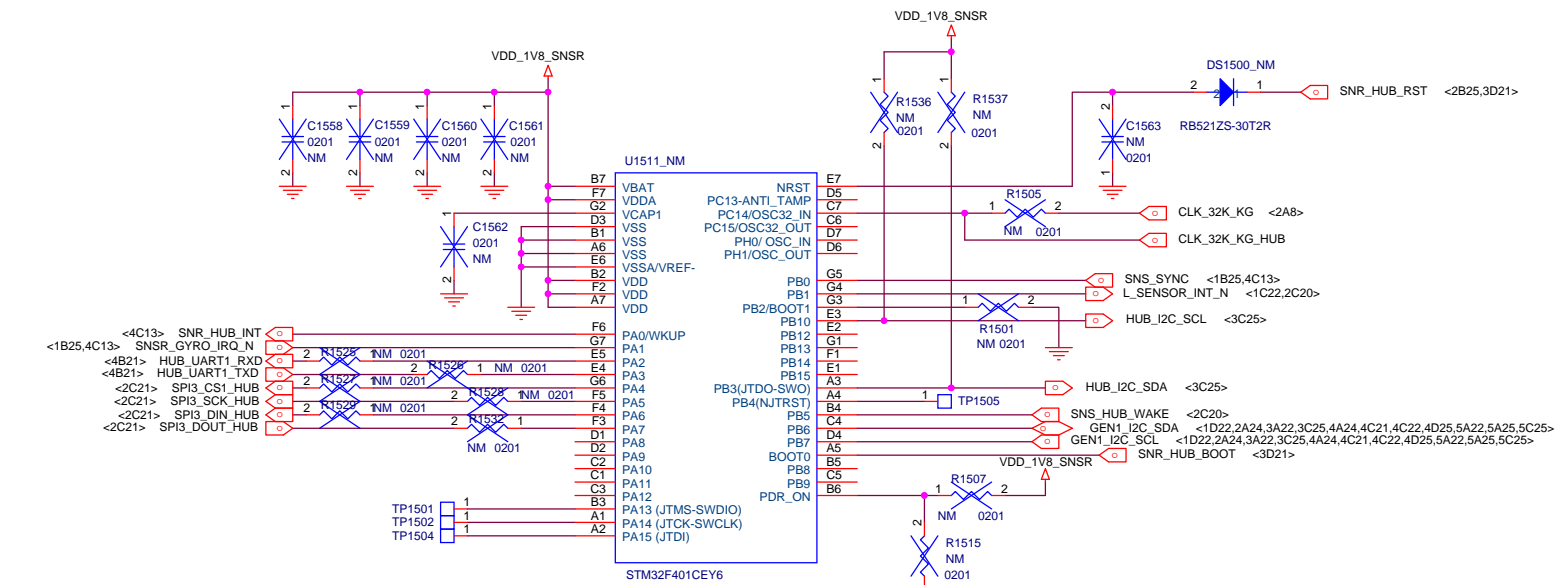
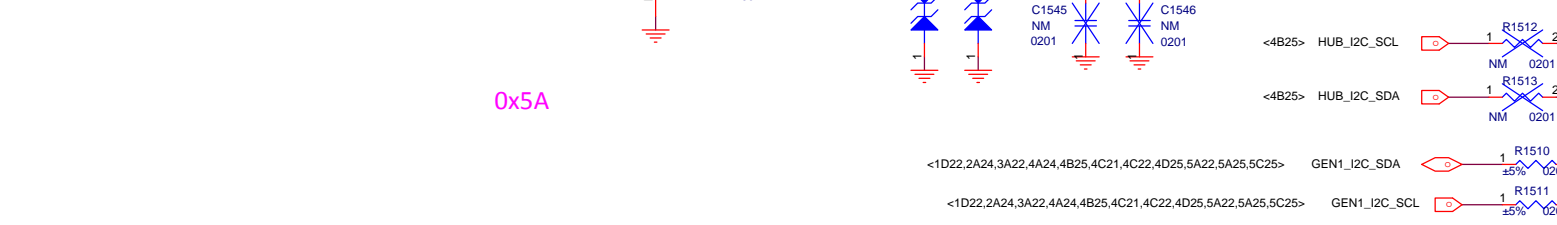


0x5A

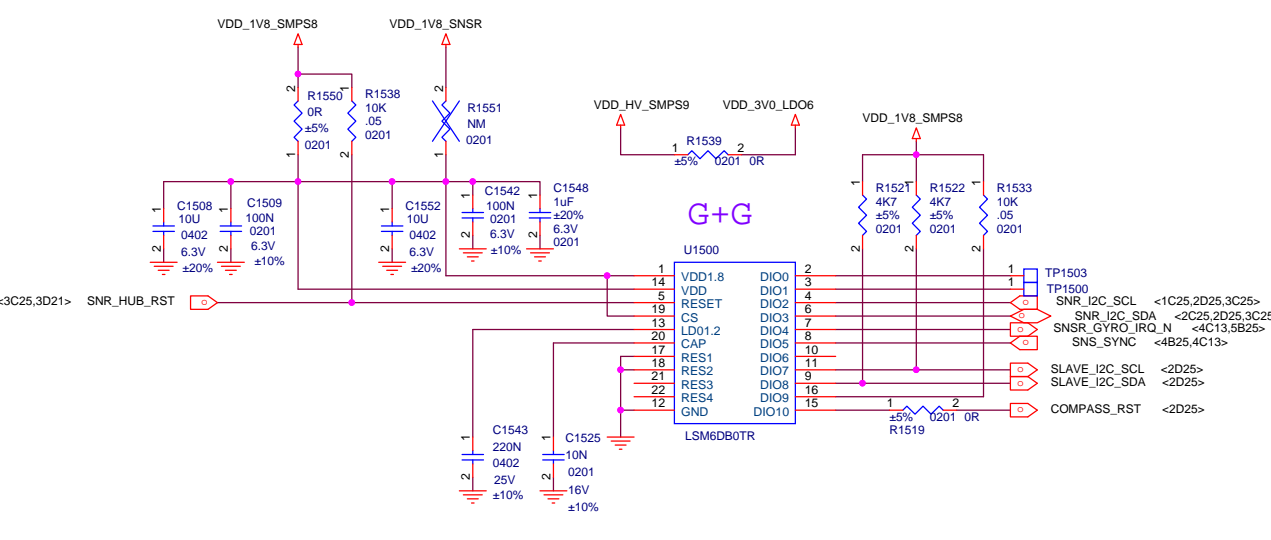


PRESSURE

SDO=1;0x77

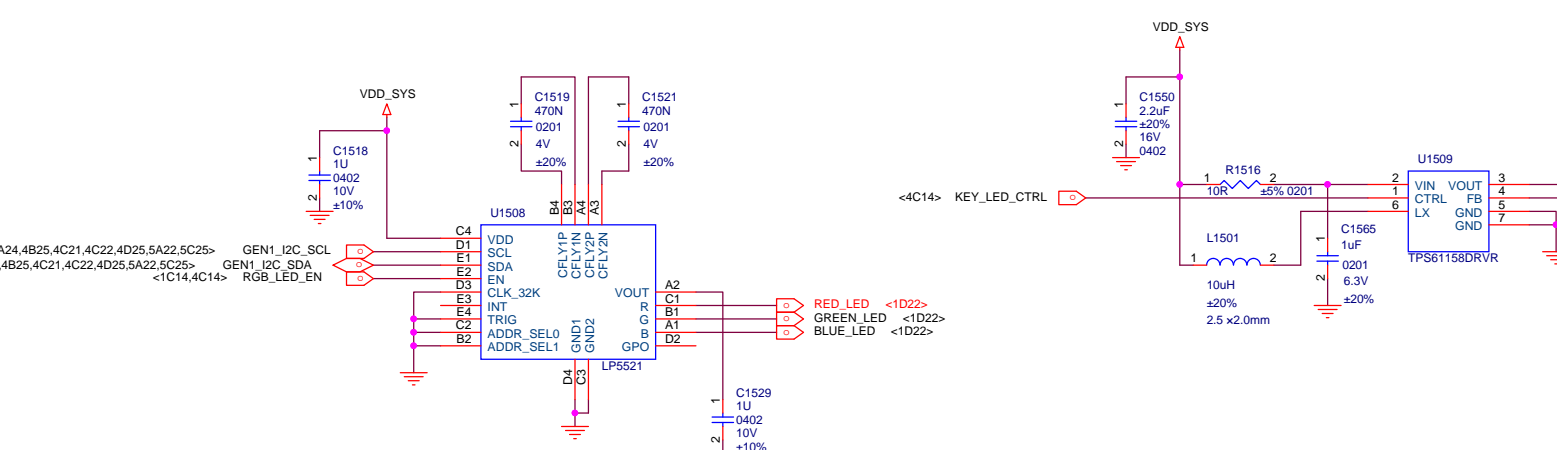


0x6E

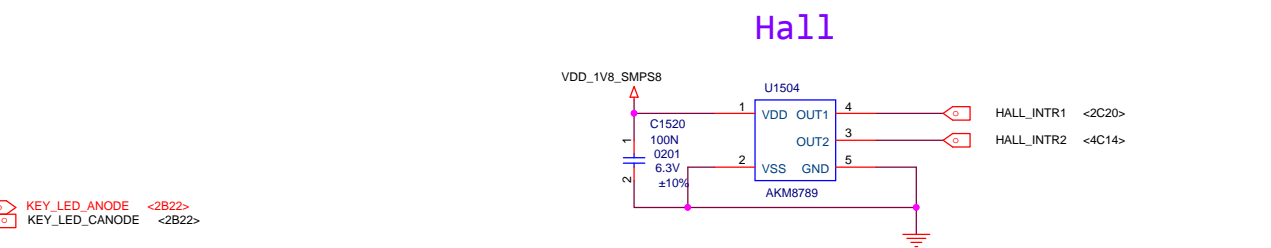


G+G

0x03



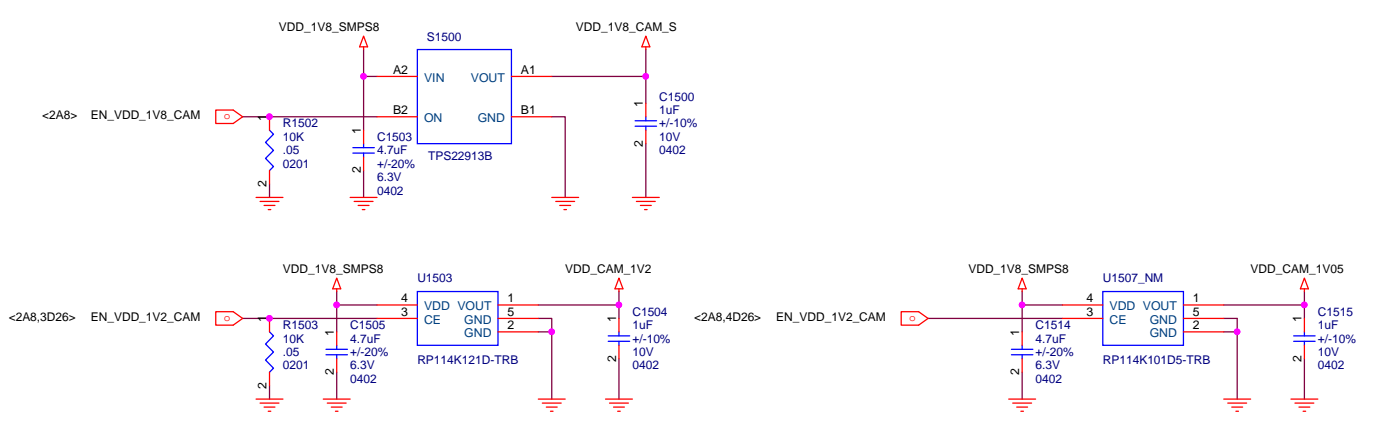
ADDR\_SEL[1:0]=00;0x32



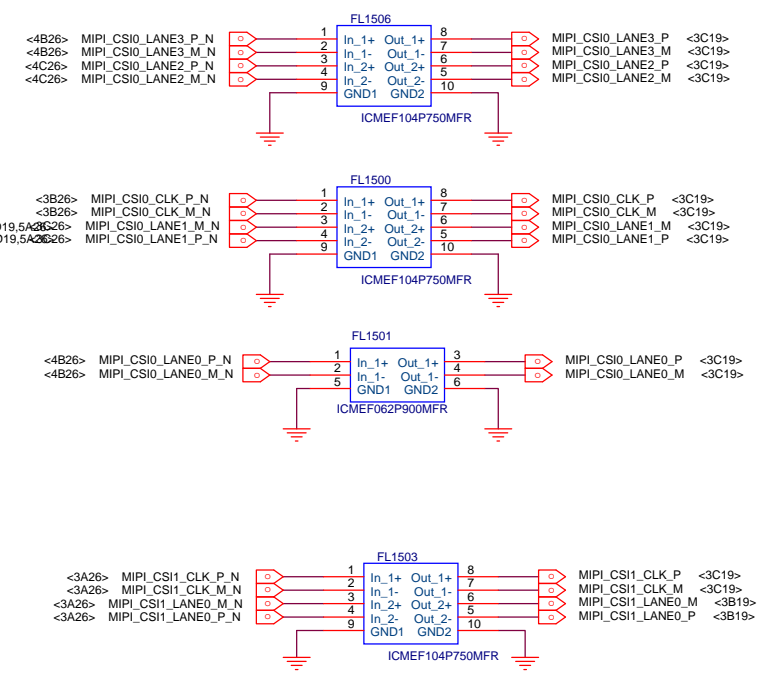
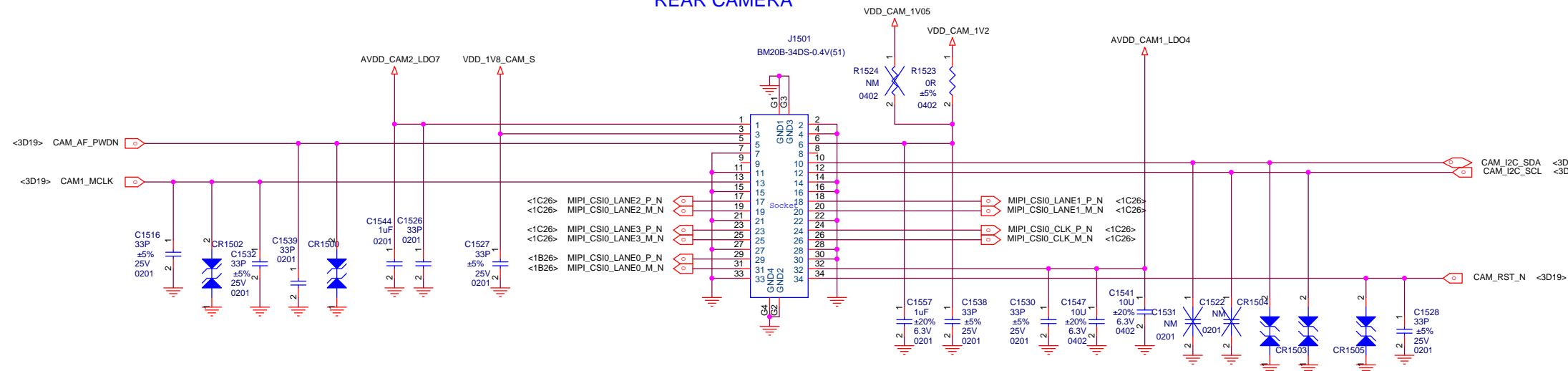
Hall

Title	<Title>	
Size	Document Number	Rev B
A2	<Doc>	
Date:		Sheet 25 of 26

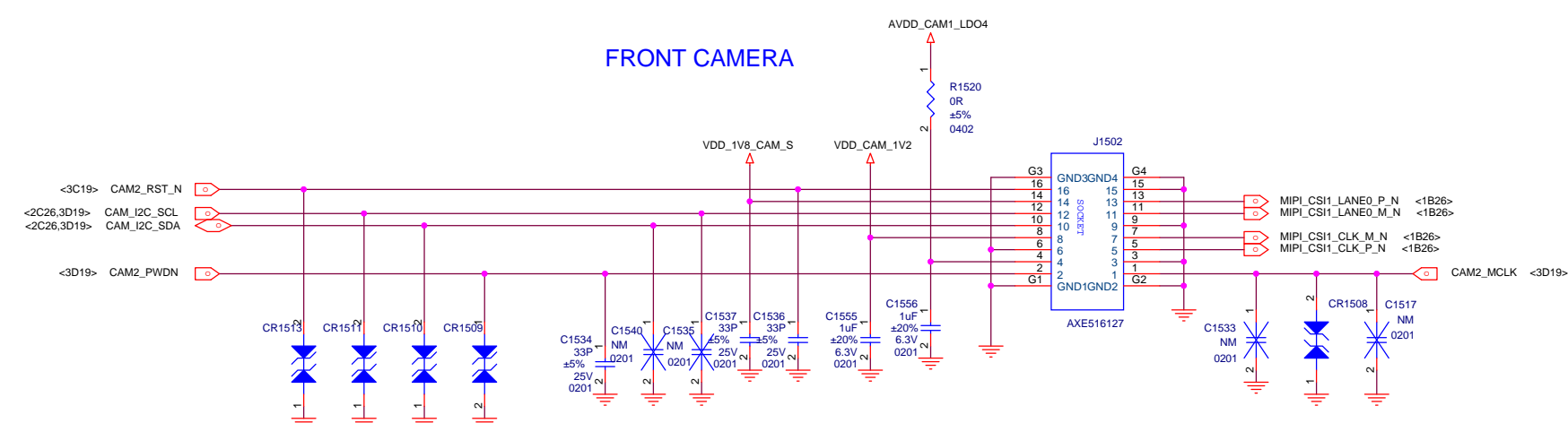




REAR CAMERA



FRONT CAMERA



CAMERA		
XIAO MI		
Title	<Title>	
Size	Document Number	Rev
A2	AUDIO	P2B
Date:	Wednesday, May 14, 2014	Sheet 26 of 26



