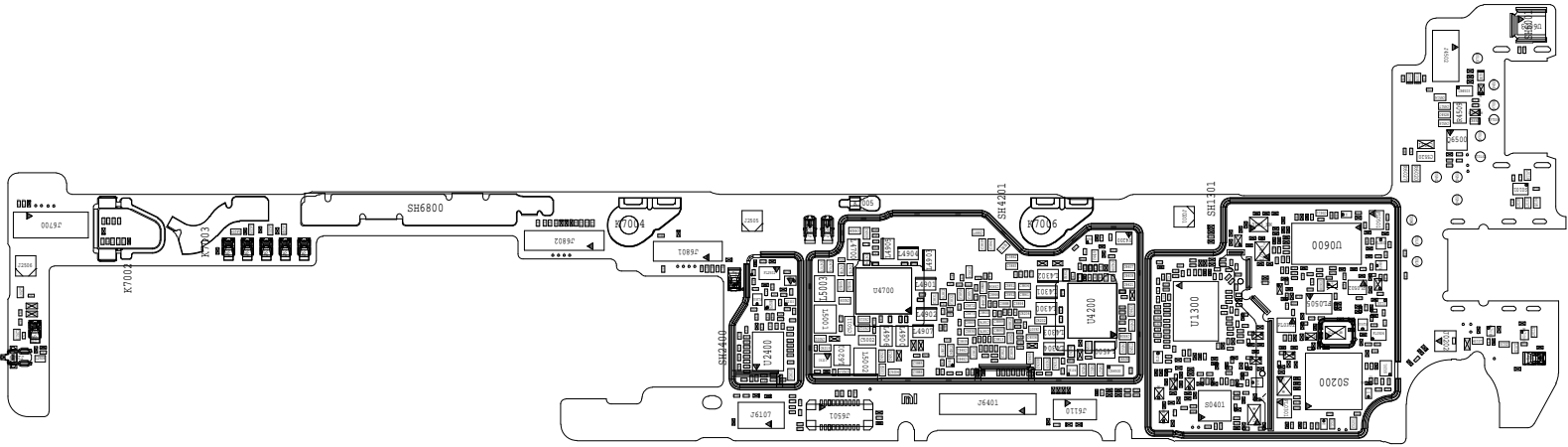
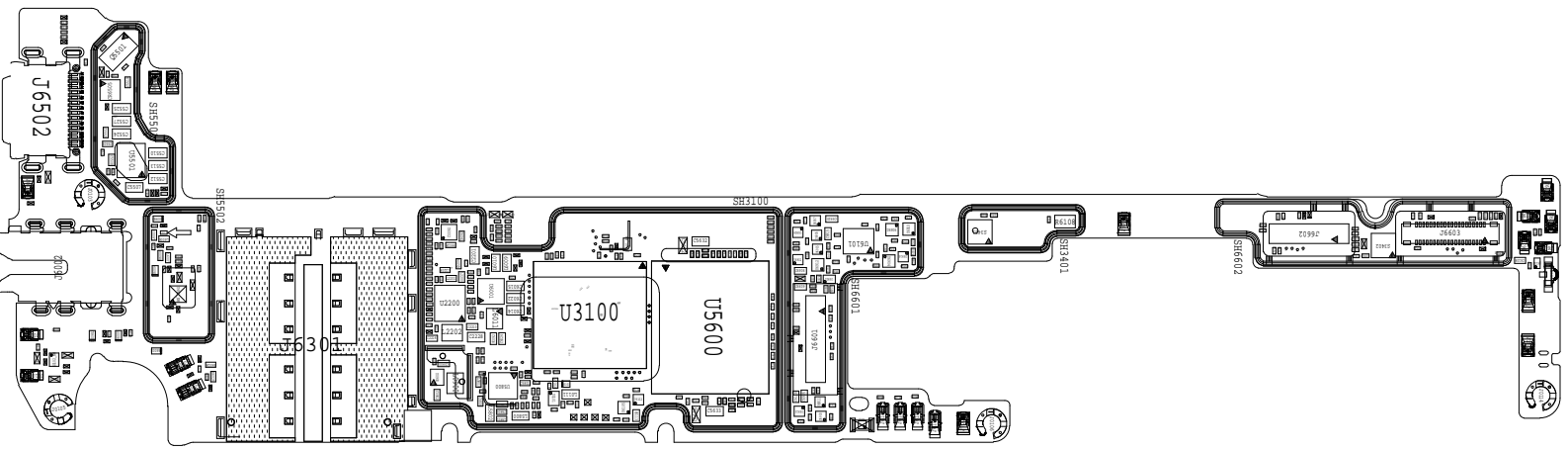


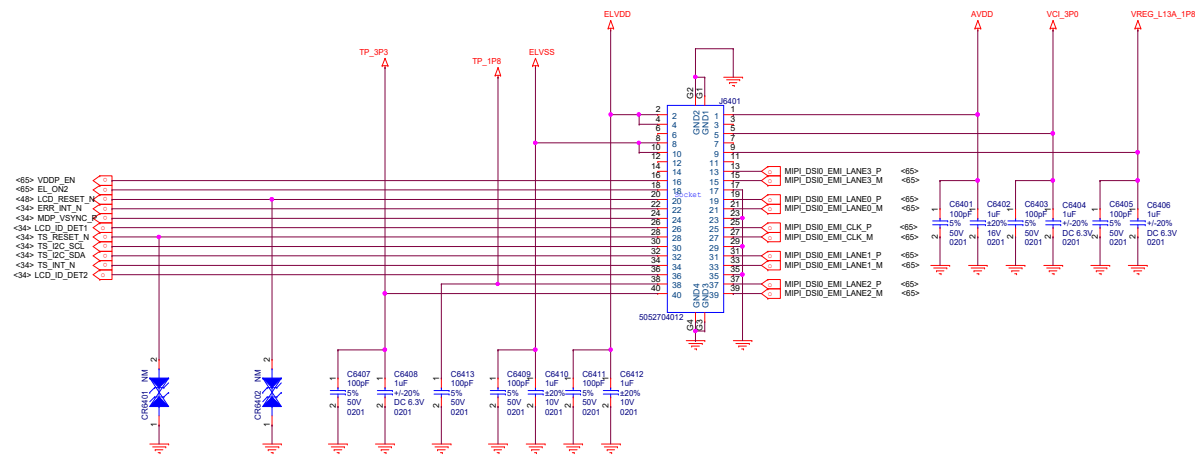
(VIETMOBILE.VN)



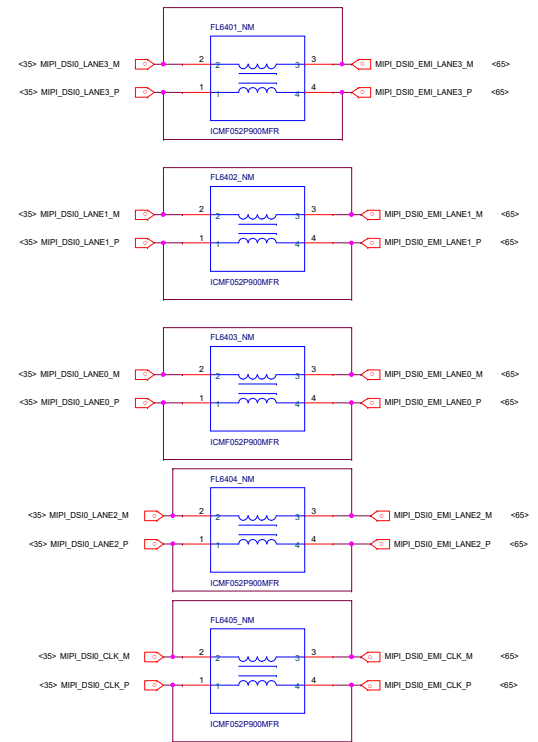
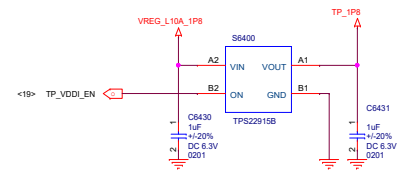
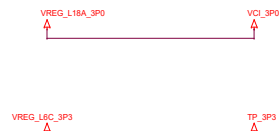
(VIETMOBILE.VN)



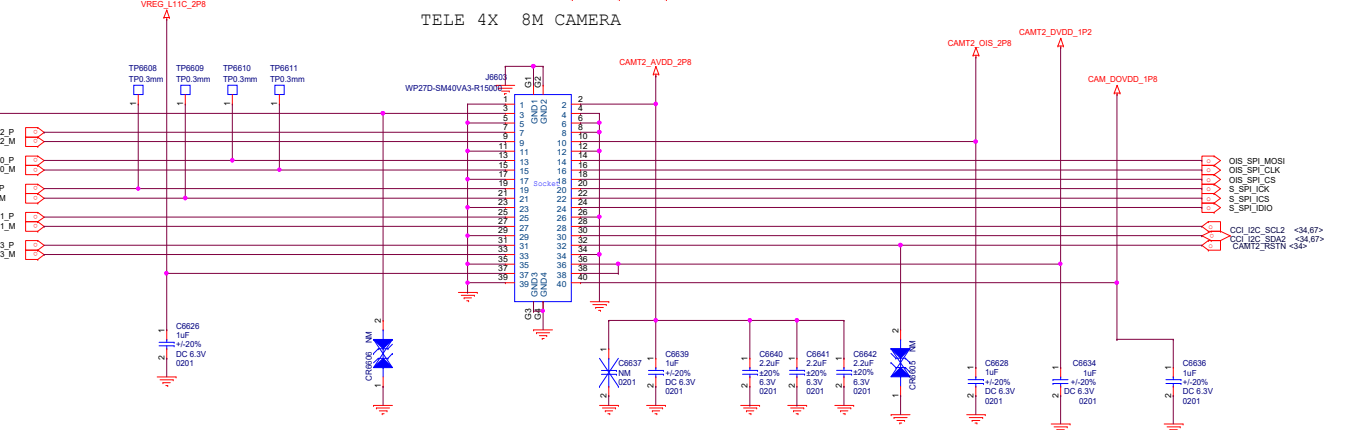
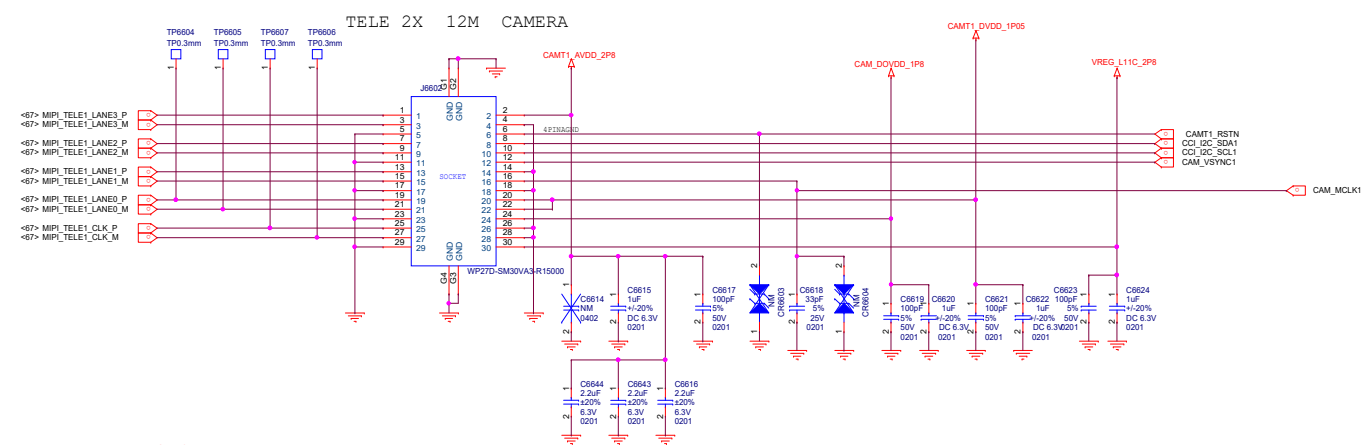
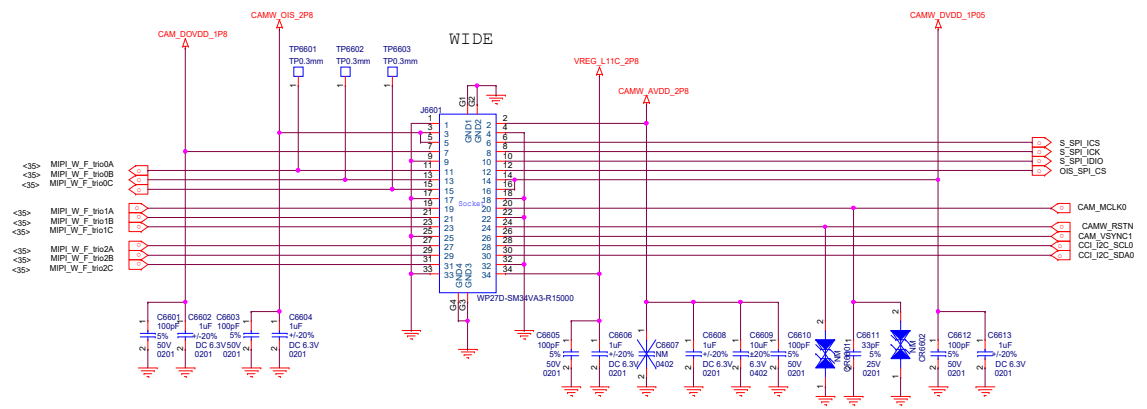
Title		
F10 MAIN		
Size	Document Number	Rev
A2	CONTENT	P0
Date	Wednesday, September 11, 2019	Sheet 01 of 71



(VIETMOBILE.VN)

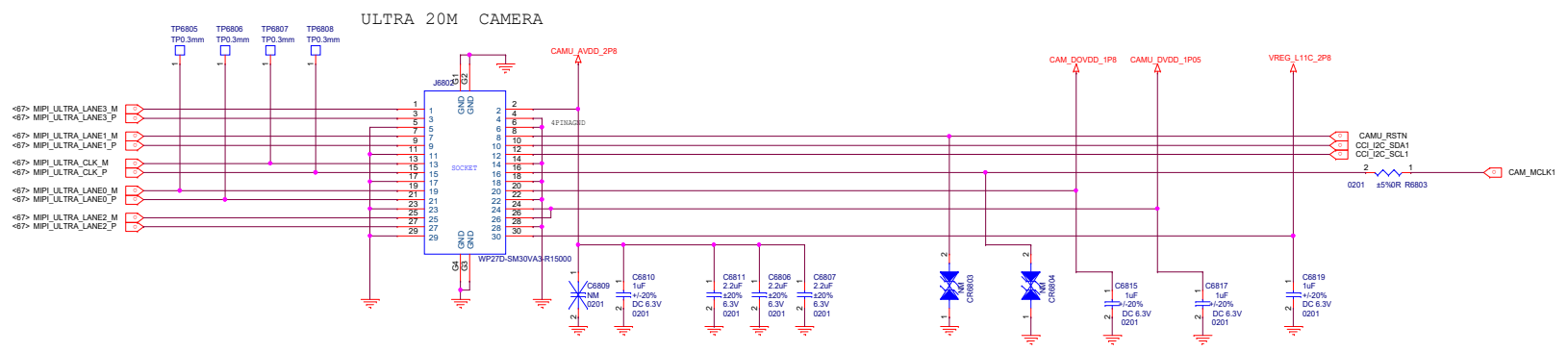
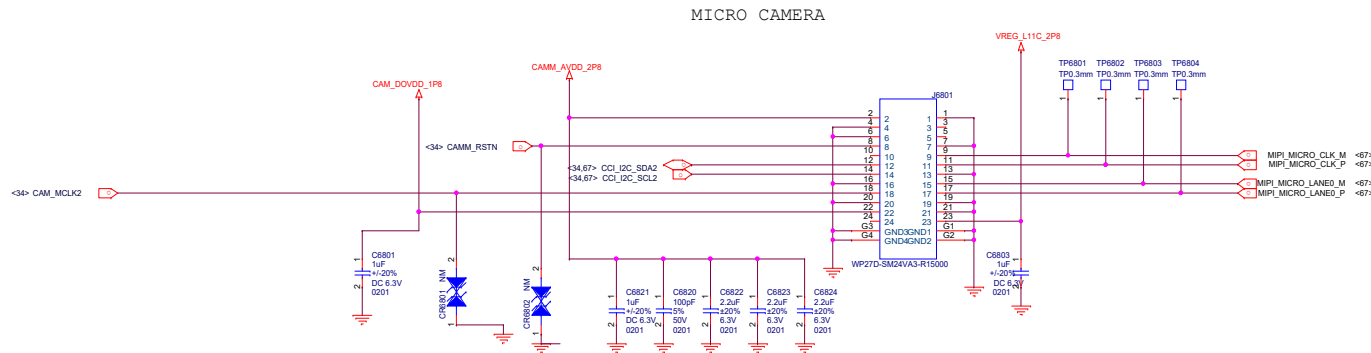


File			F10 MAIN		
Size	Document Number				Rev
A2	AMOLED				P0
Date:	Wednesday, September 11, 2019	Sheet	1	of	1



Wide  
 sensor: 0x7A/0x7B, Actuator: 0x18/0x19, EEPROM: 0xA0/0xA1, OIS Driver: 0x1C/0x1D  
 tele 2x  
 sensor: 0x20/0x21, Actuator: 0x1E/0x1F, EEPROM: 0xA2/0xA3  
 tele 4x  
 sensor: 0x6C/0x6D, Actuator: 0xE8/0xE9, EEPROM: 0xA8/0xA9, OIS Driver: 0x7C/0x7D

File		F10 MAIN	
Size	A2	Document Number	WIDESTELE CAMERA
Date	Wednesday, September 11, 2019	Sheet	1 of 1

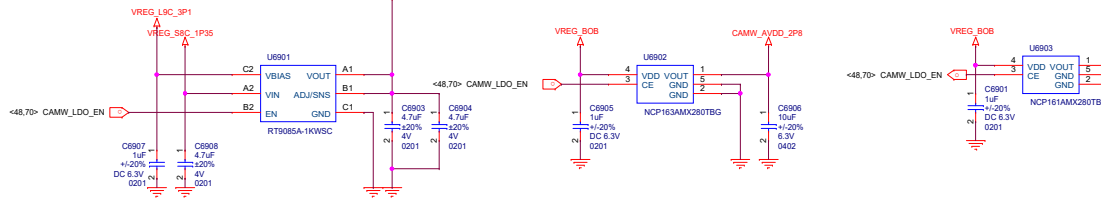


```

ultra
sensor: 0x34/0x35, Actuator: 0x18/0x19, EEPROM: 0xA0/0xA1
micro
sensor: 0x7A/0x7B, Actuator: 0x1C/0x1D, EEPROM: 0xA2/0xA3
  
```

File	F10 MAIN
Size	Document Number
A2	ULTRA CAMERA
Date:	Wednesday, September 11, 2019 Sheet 1 of 1

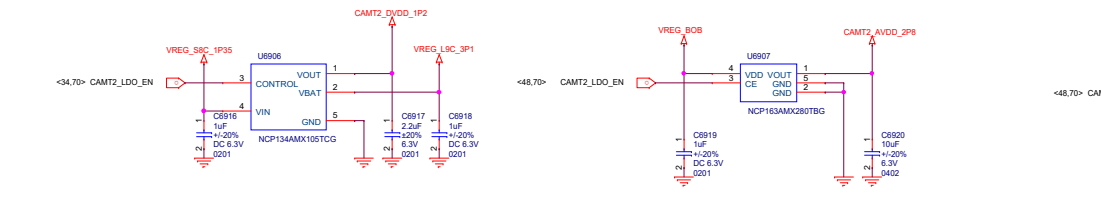
WIDE



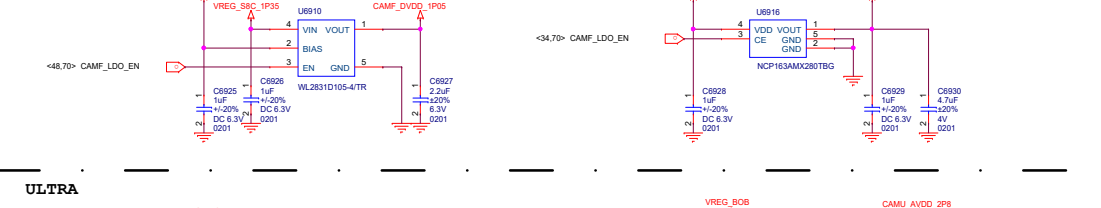
TELE 2X



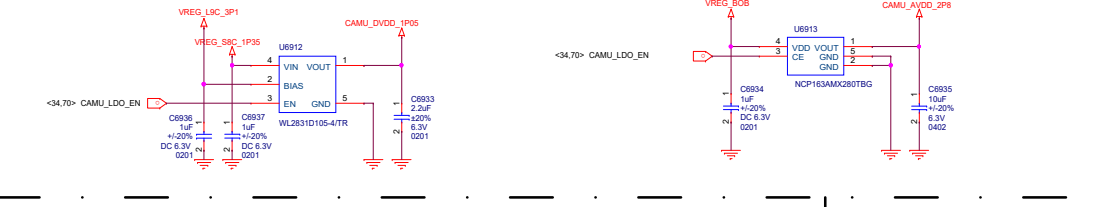
TELE 4X



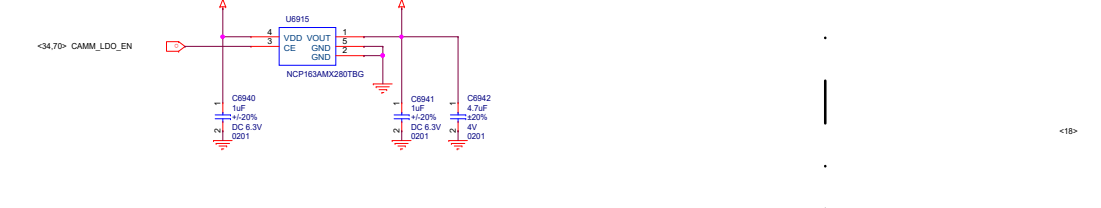
FRONT



ULTRA



MICRO



CAM IO



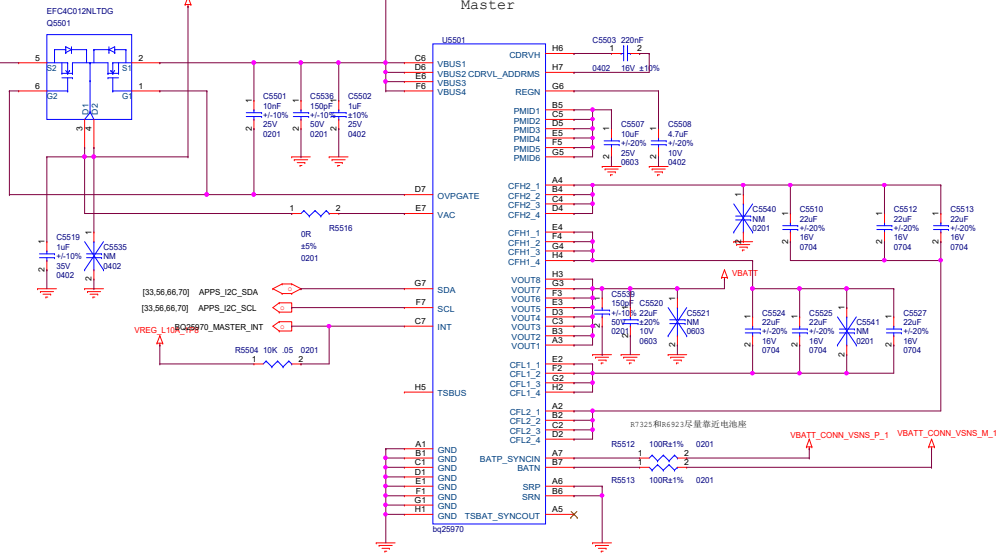
File	F10 MAIN
Size	A2
Document Number	CAMERA LDOs
Date:	Wednesday, September 11, 2019
Sheet	1 of 1

25970

USB\_OVP\_VBUS

USB\_VBUS

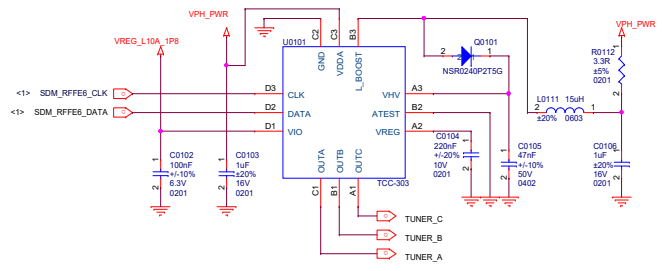
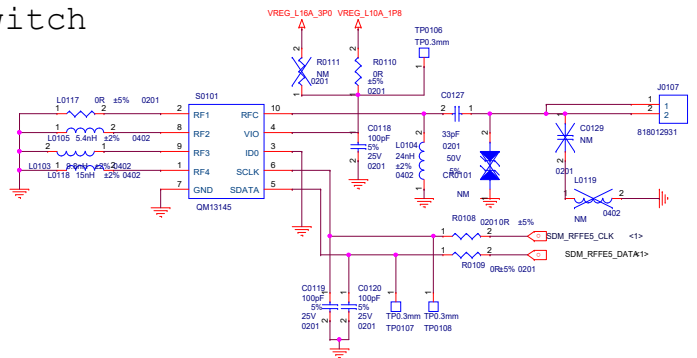
Master



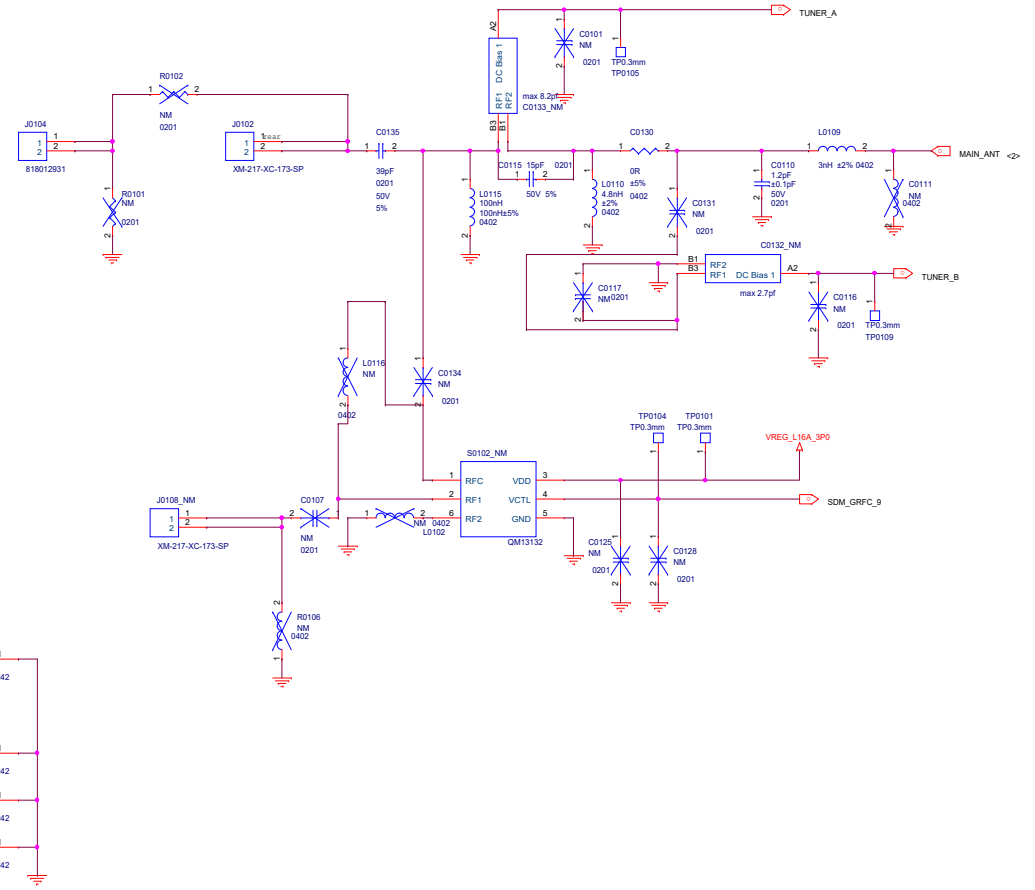
Title		F1 MAIN	
Size	A2	Document Number	GMB13902HWL POWER
Date	Wednesday, September 11, 2019	Sheet	1 of 1



# Switch

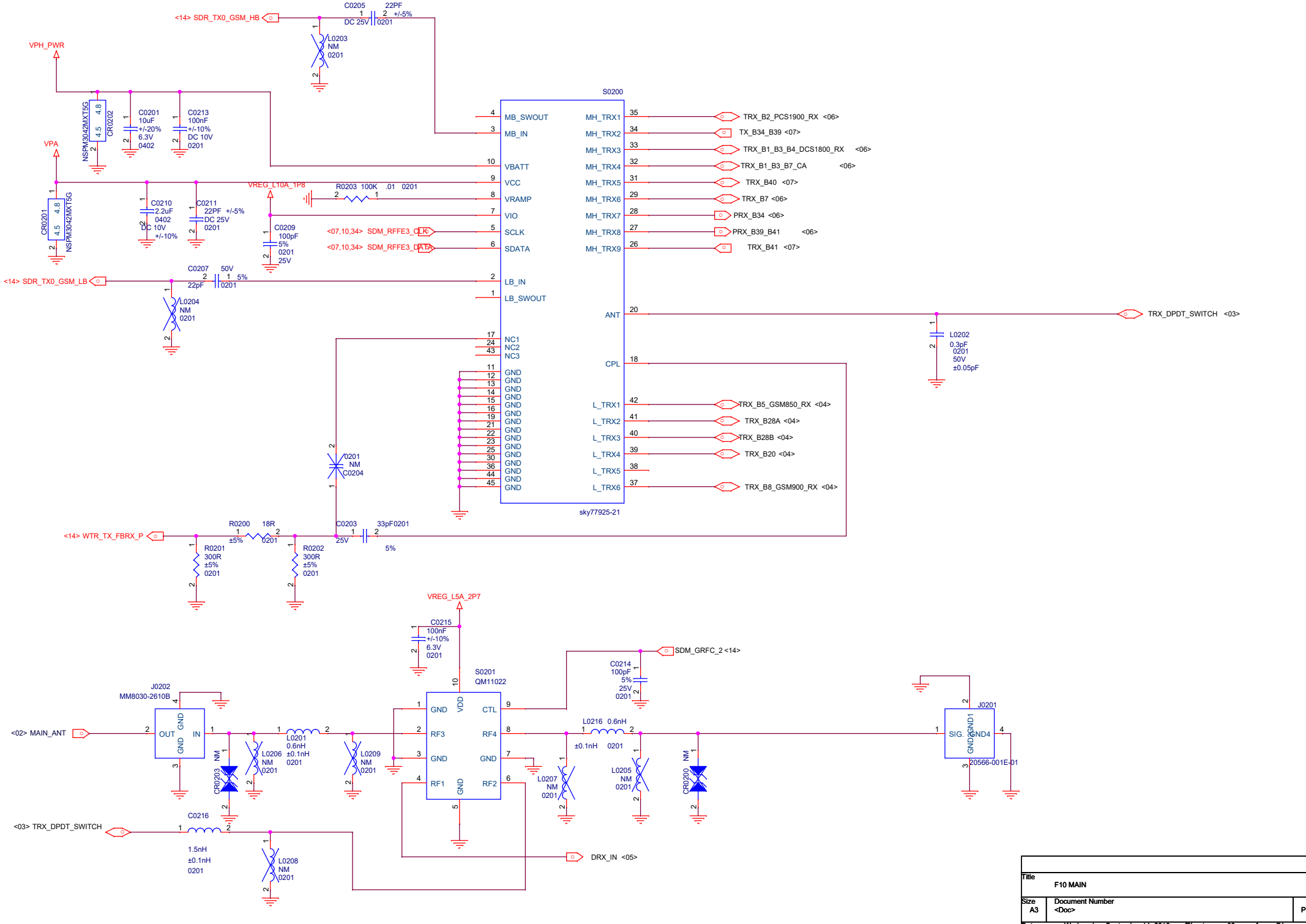


# PTIC

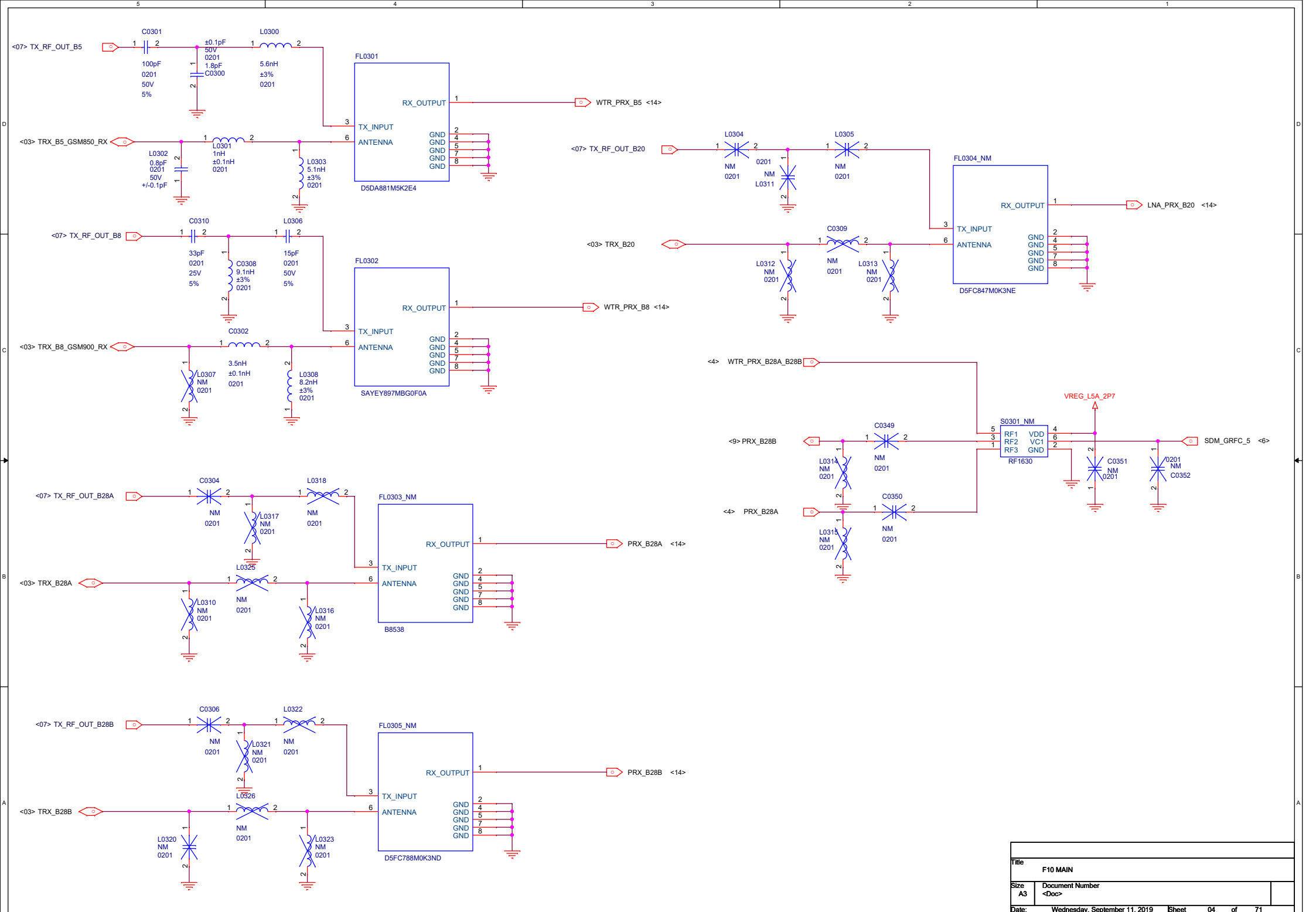


# Combo ANT

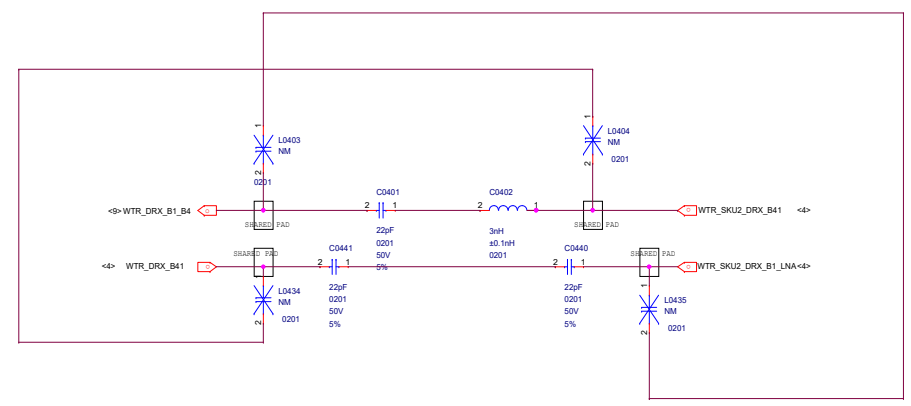
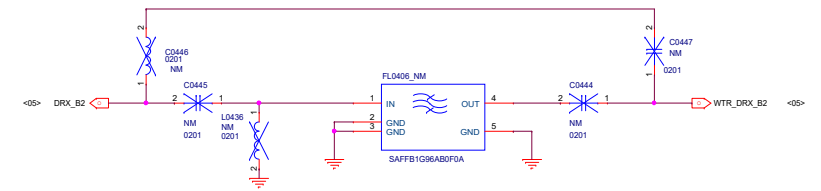
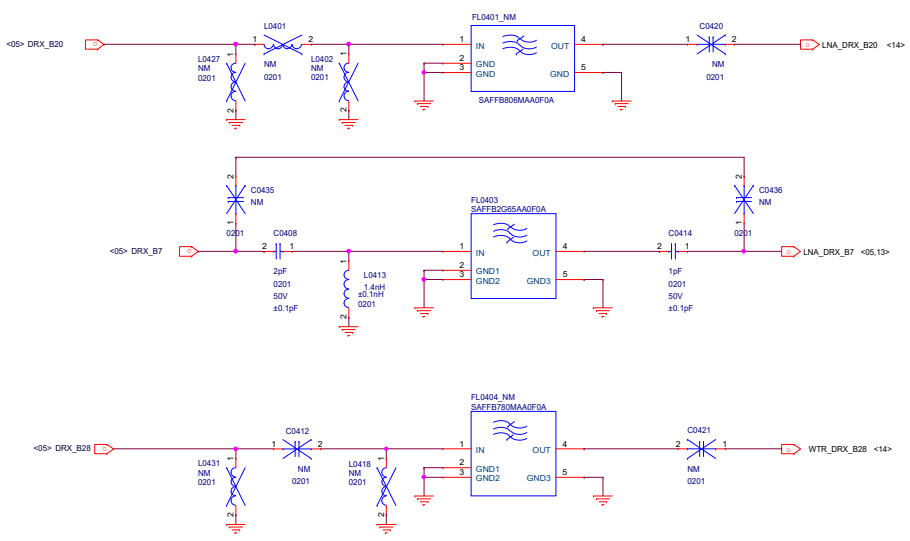
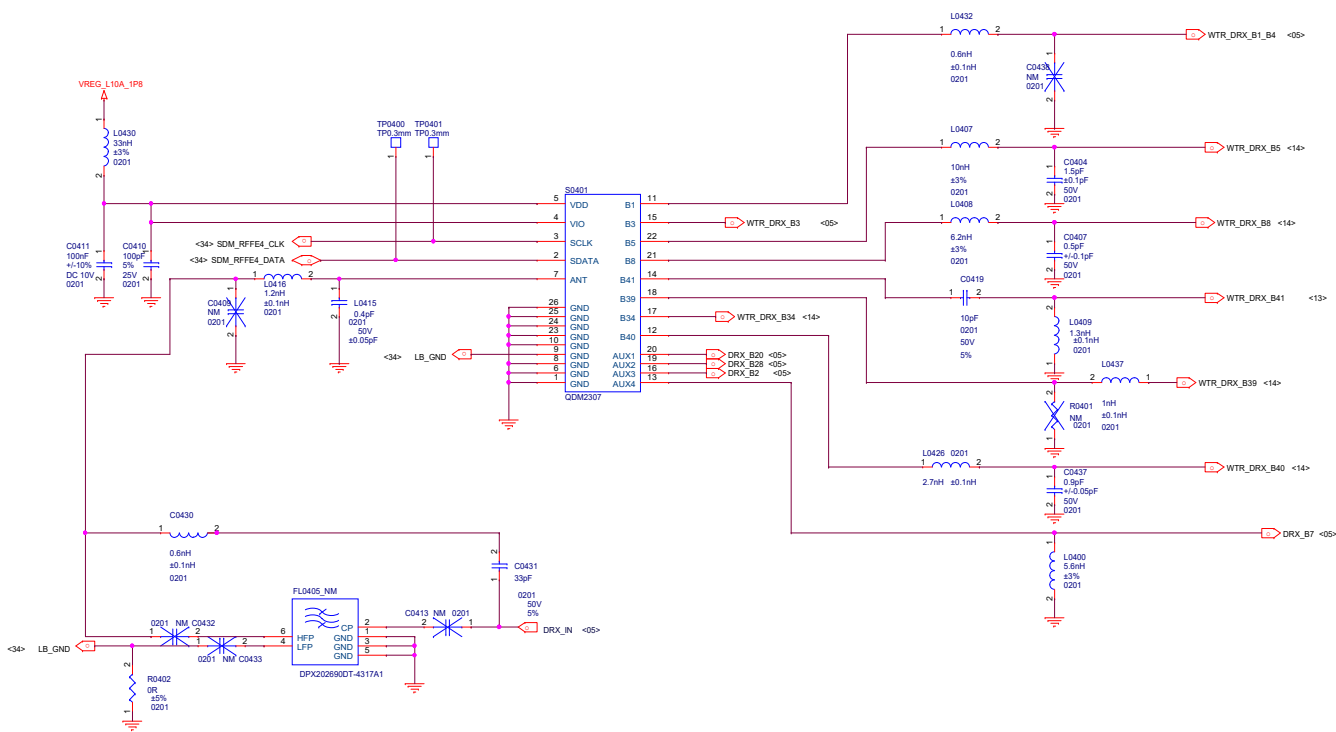
# SAR Sensor



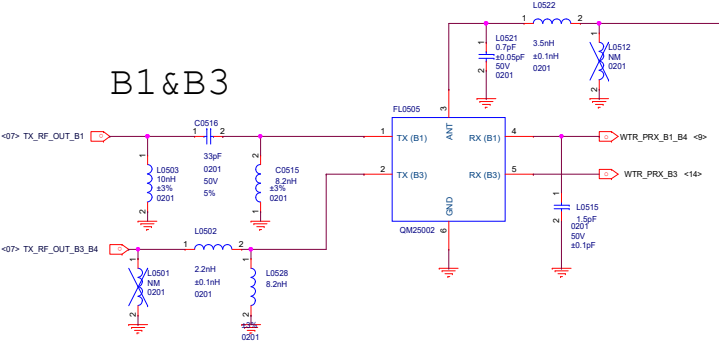
Title		F10 MAIN
Size	A3	Document Number <Doc>
Date:	Wednesday, September 11, 2019	Sheet 03 of 71



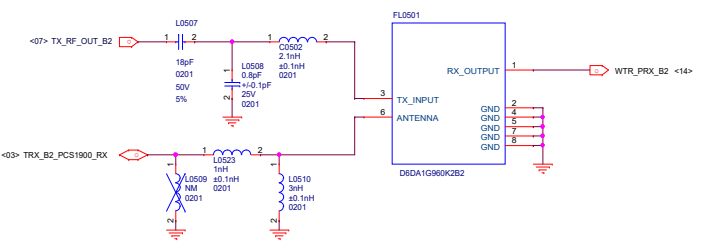
Title		F10 MAIN
Size	Document Number	<Doc>
A3	<Doc>	
Date:	Wednesday, September 11, 2019	Sheet 04 of 71



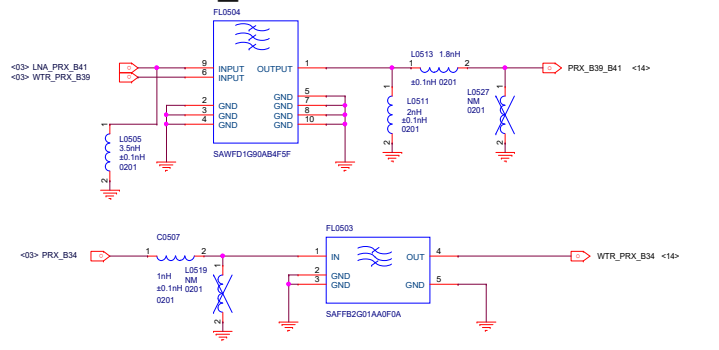
### B1&B3



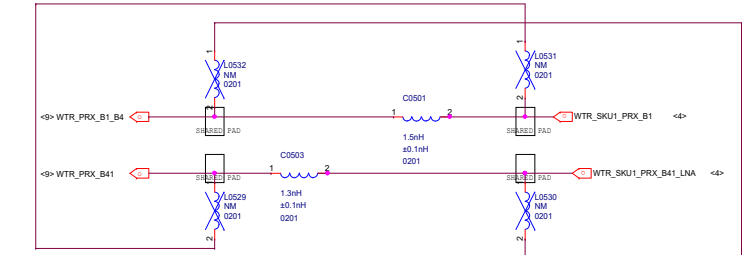
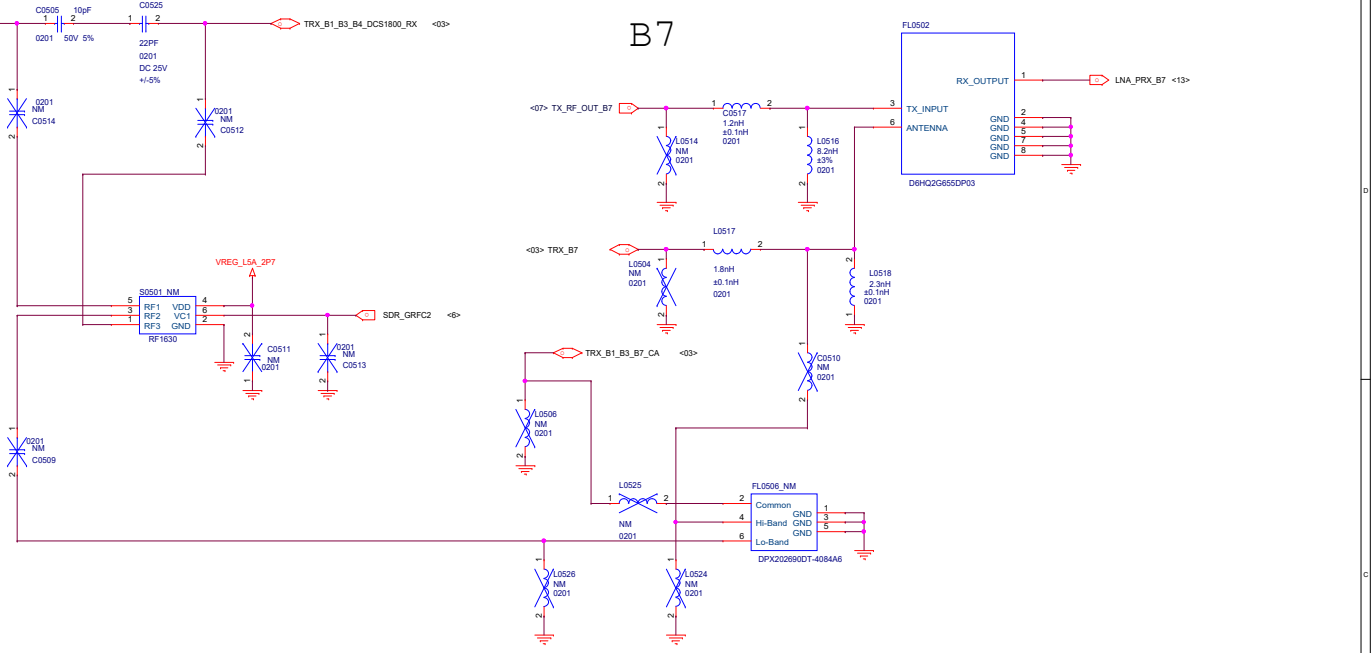
### B2



### PRX B39 B41

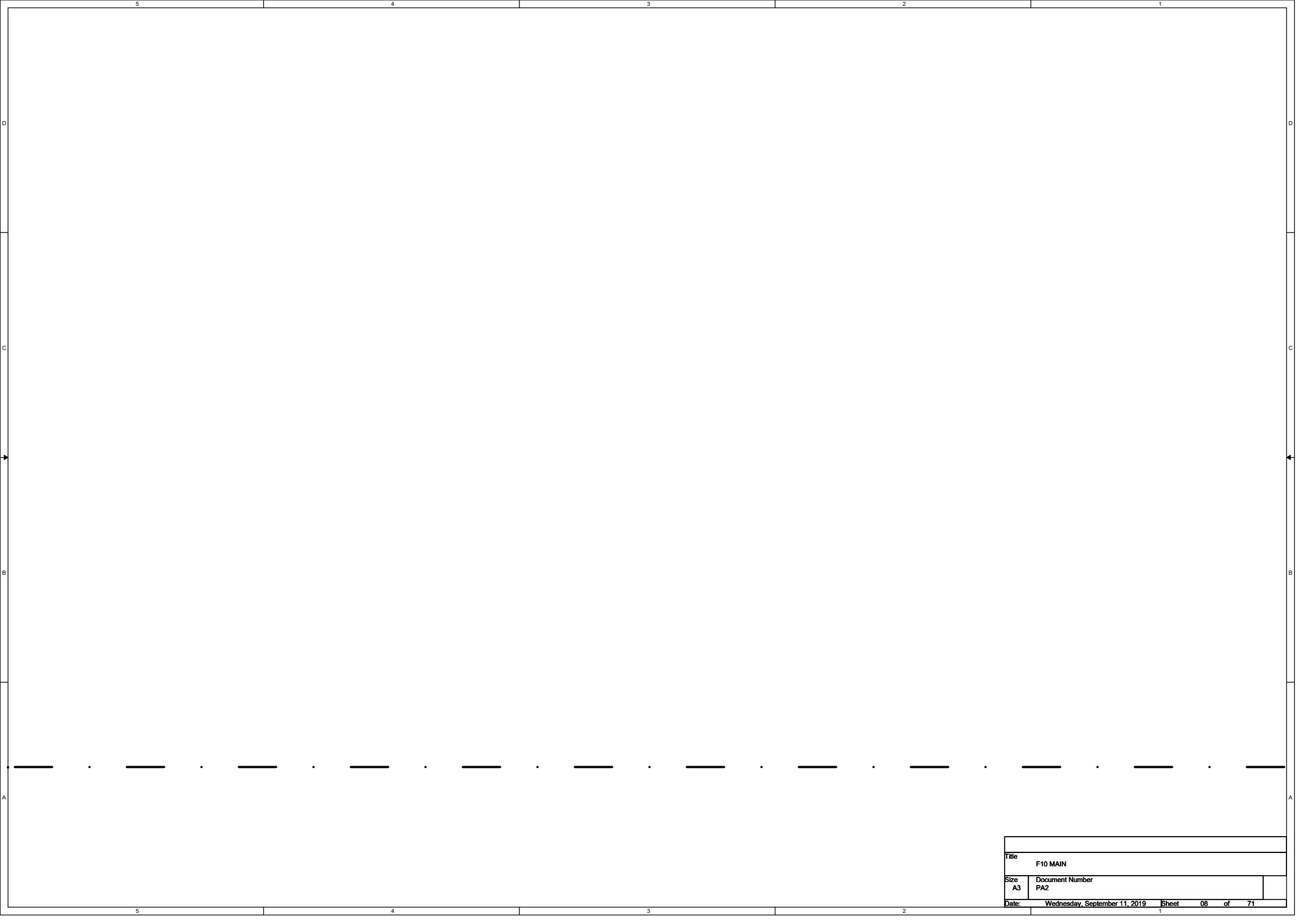


### B7

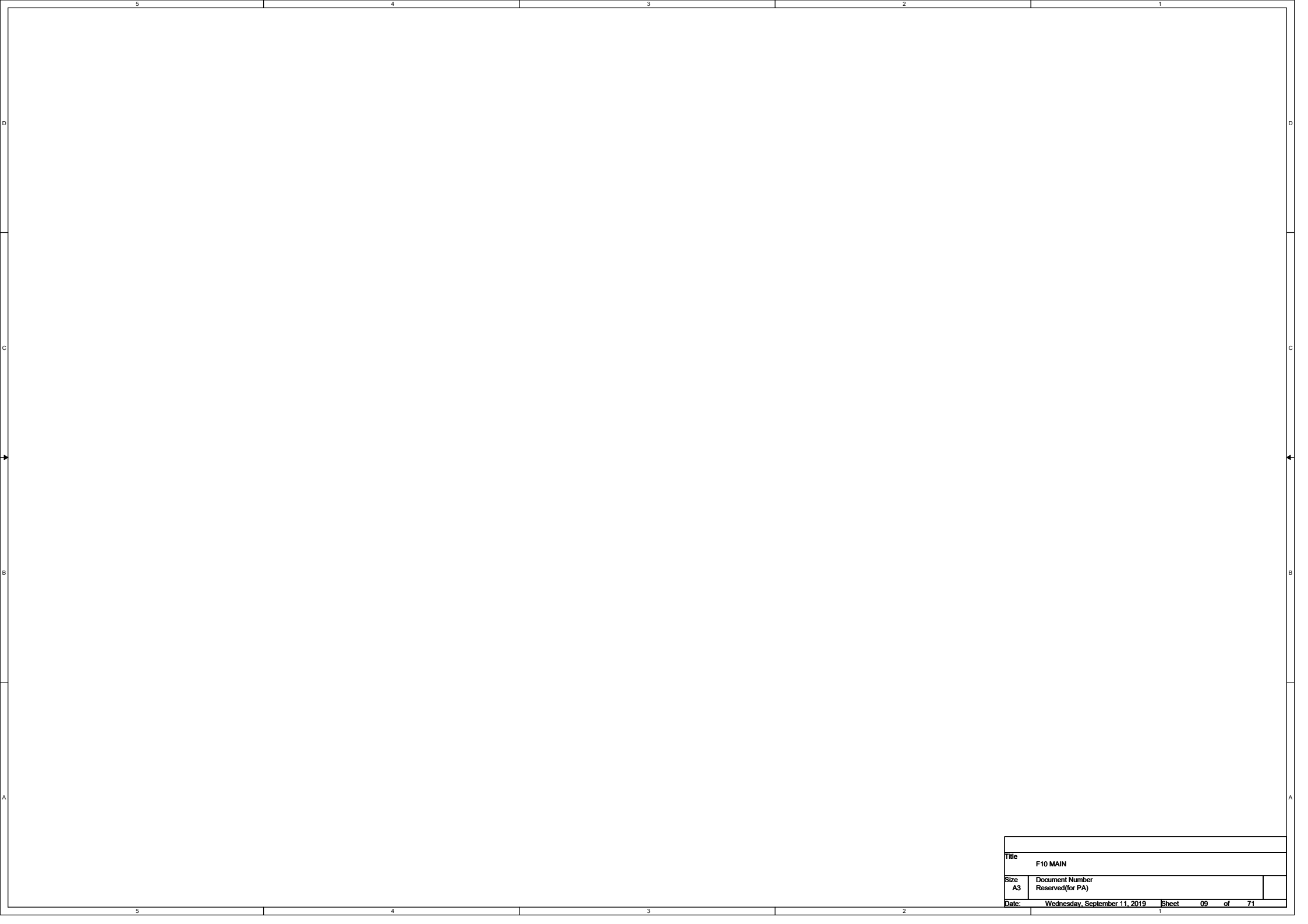


Title	F10 MAIN
Size	A2
Date	Wednesday, September 11, 2019
Sheet	06 of 71





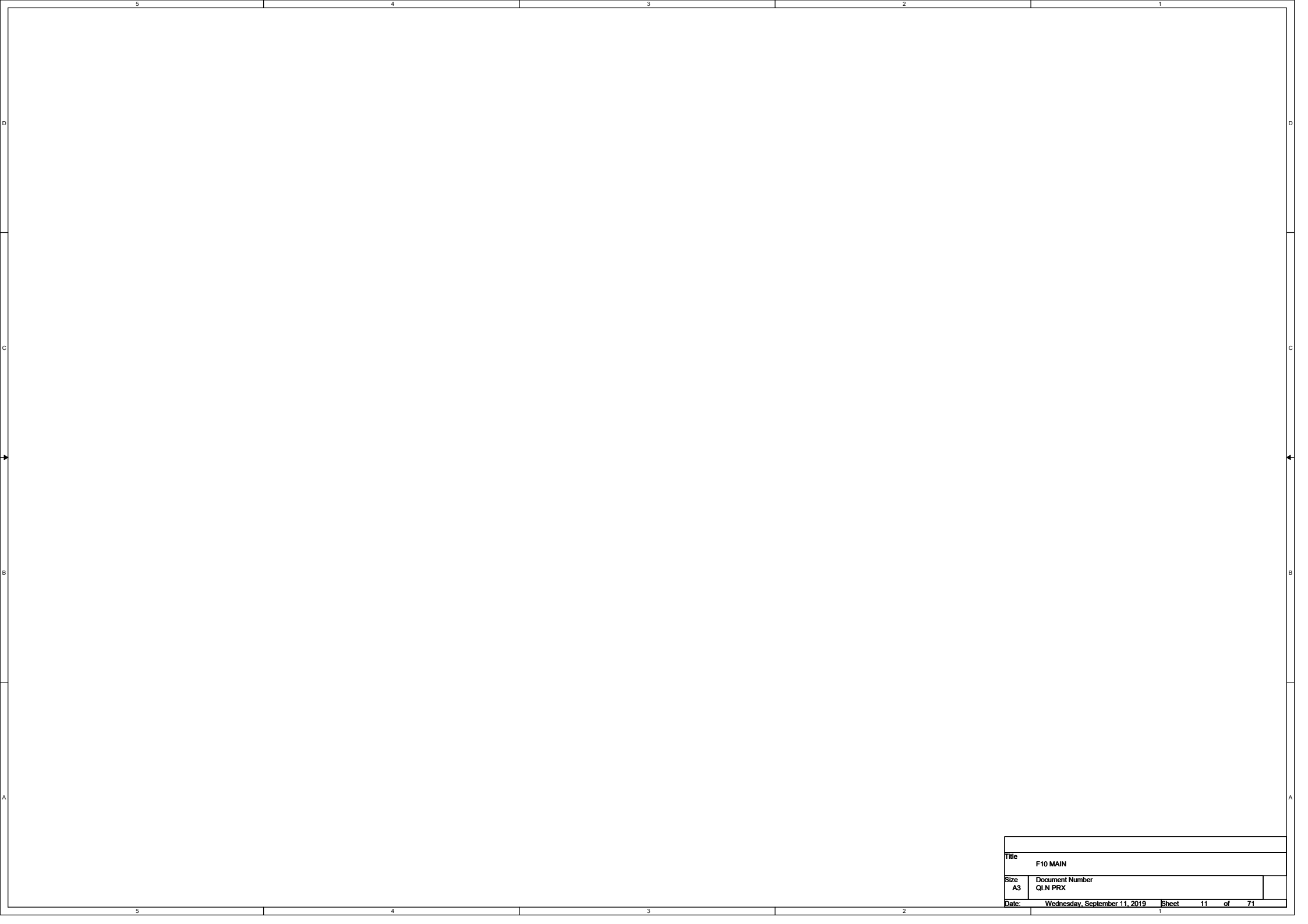
Title	
F10 MAIN	
Size	Document Number
A3	PA2
Date:	Wednesday, September 11, 2019 Sheet 08 of 71



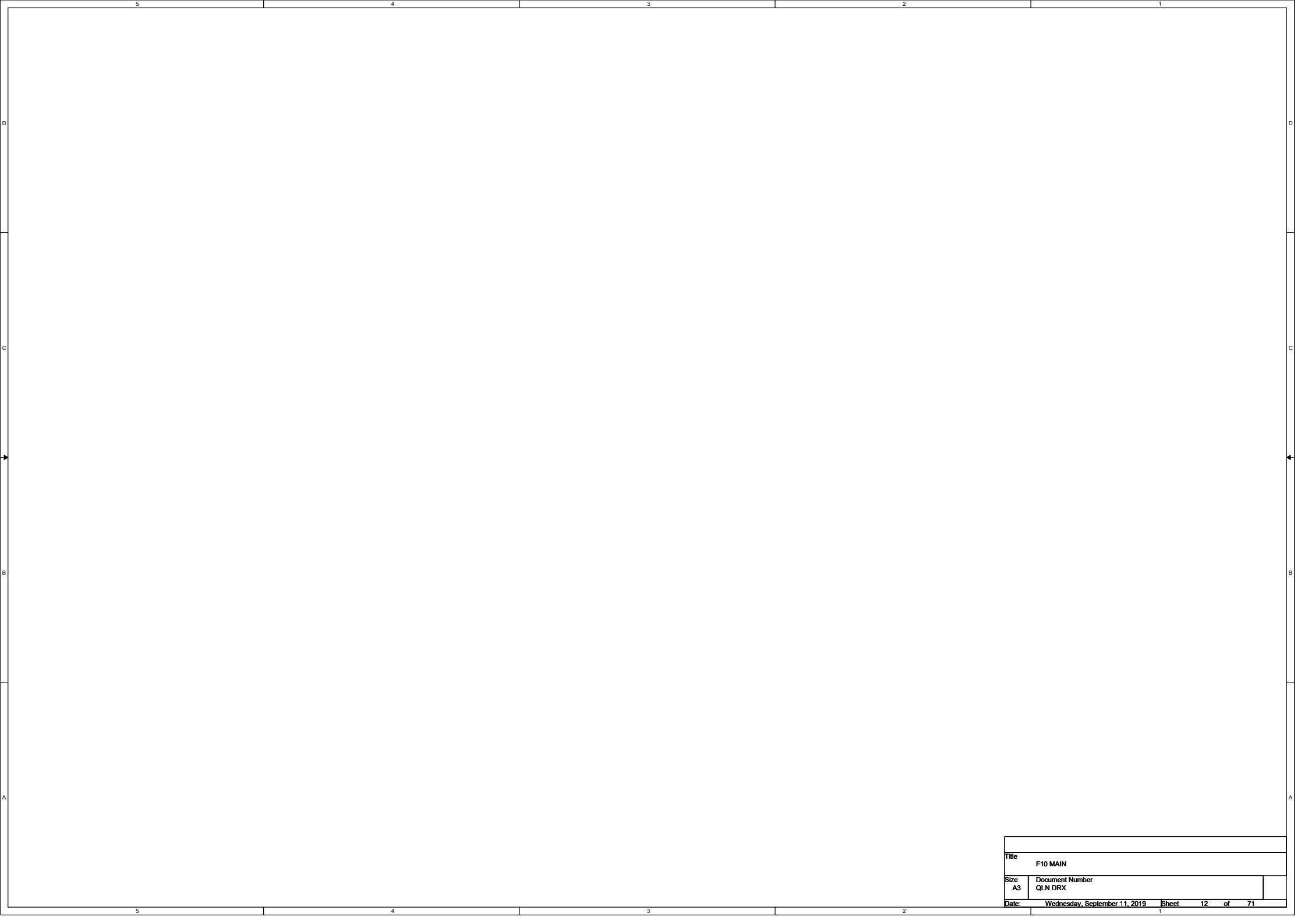
Title	
F10 MAIN	
Size	Document Number
A3	Reserved(for PA)
Date:	Wednesday, September 11, 2019
Sheet	09 of 71



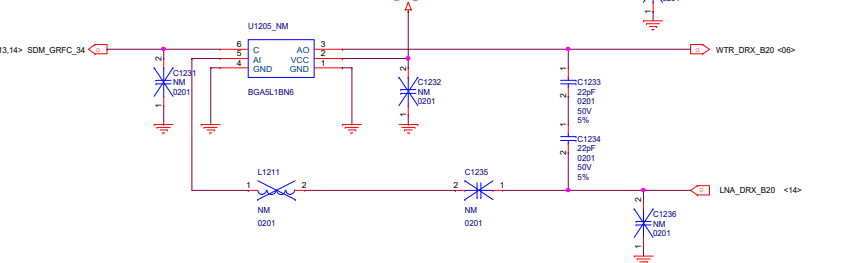
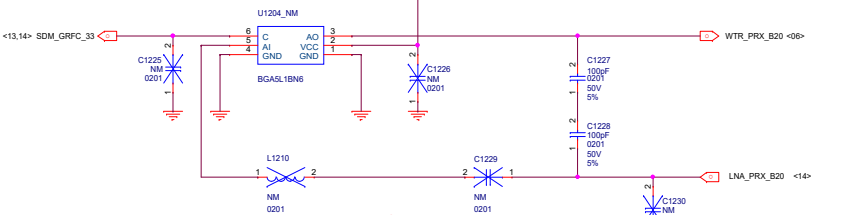
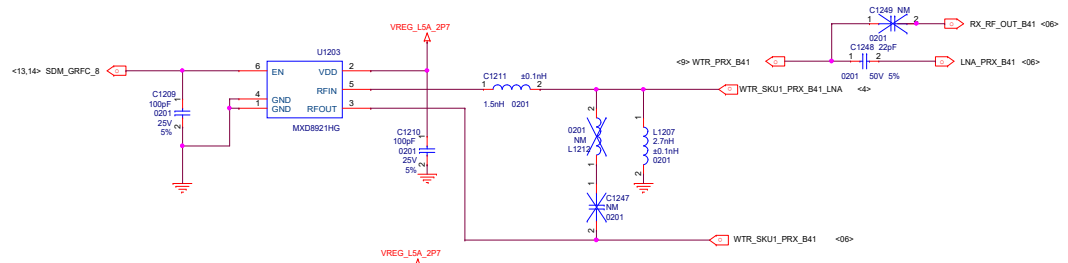
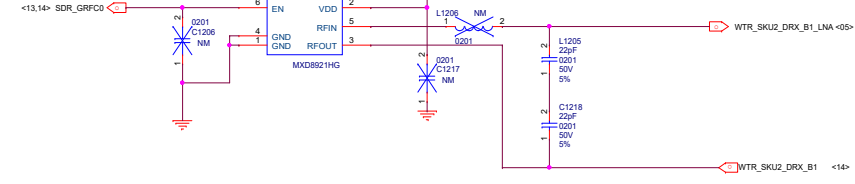
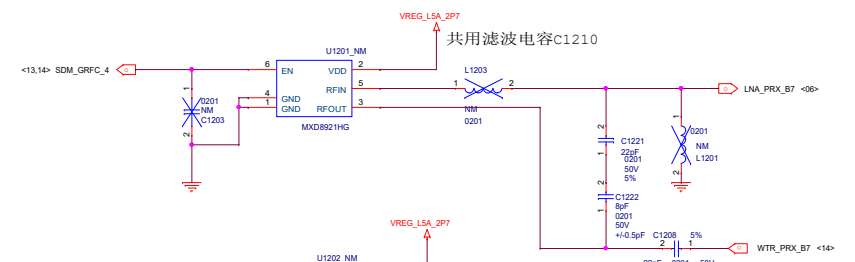
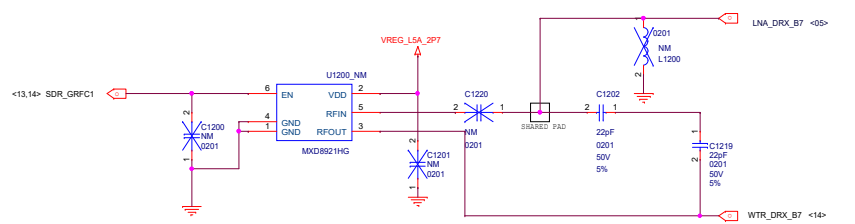




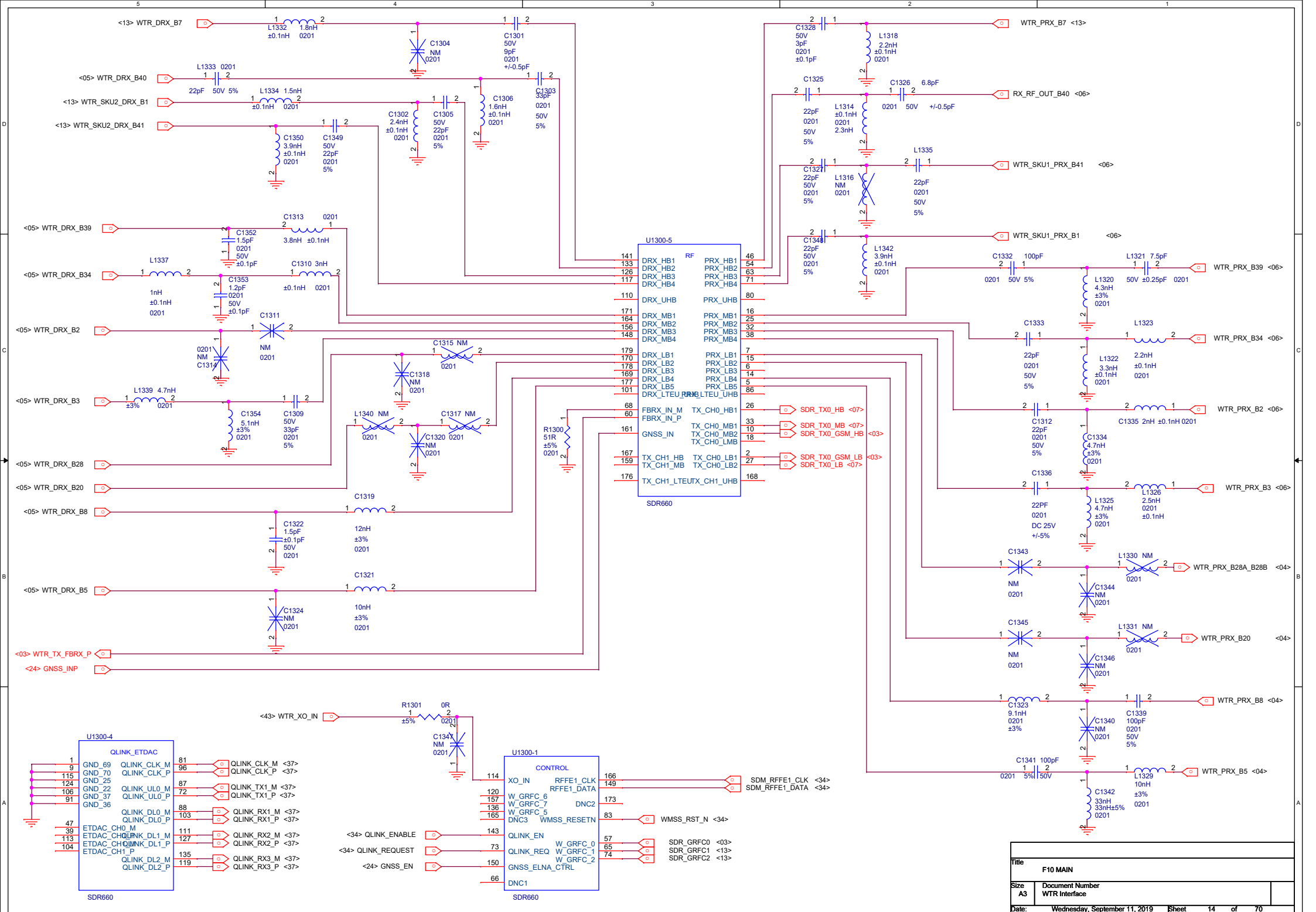
Title	
F10 MAIN	
Size	Document Number
A3	QLN PRX
Date:	Wednesday, September 11, 2019
Sheet	11 of 71



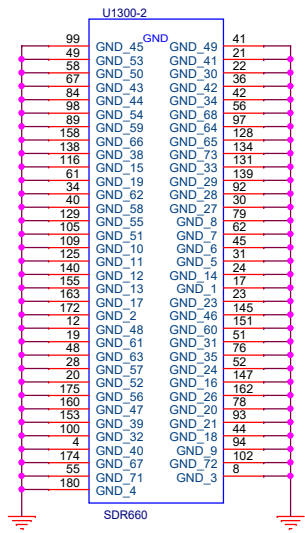
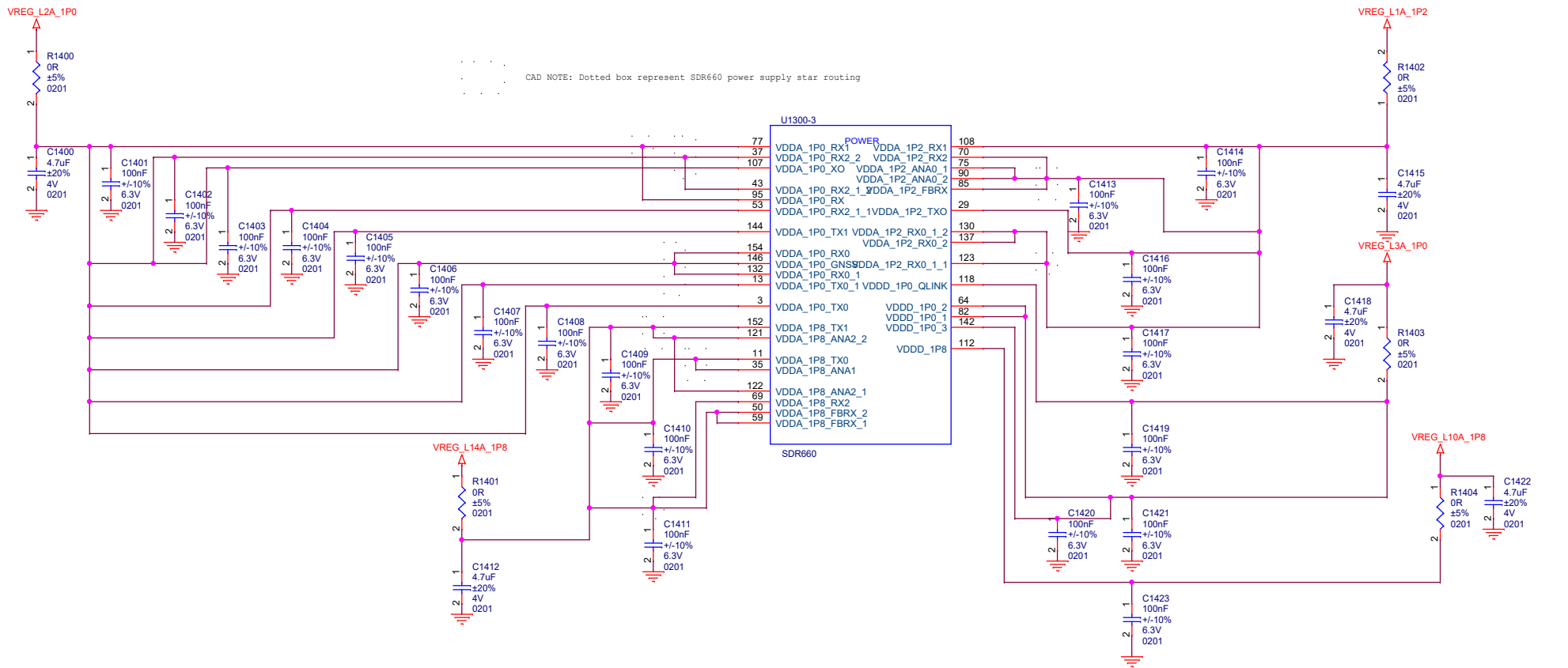
Title	
F10 MAIN	
Size	Document Number
A3	QLN DRX
Date:	Wednesday, September 11, 2019
Sheet	12 of 71



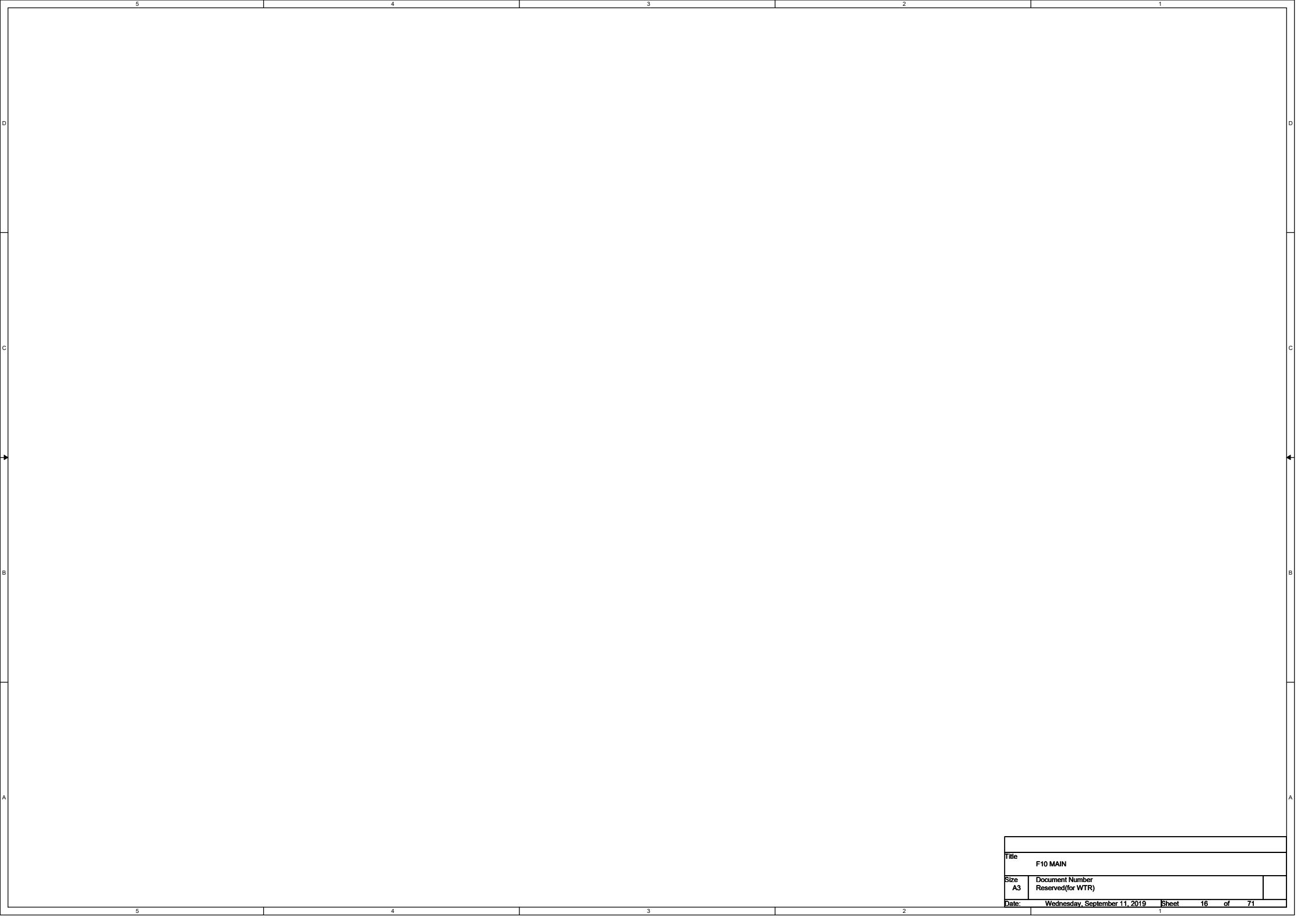
File	F10 MAIN		
Size	Document Number	Reserved (for LNA)	
Date:	Wednesday, September 11, 2019	Sheet	13 of 70



Title		F10 MAIN
Size	A3	Document Number
Date:		Wednesday, September 11, 2019
Sheet	14	of 70



Title		F10 MAIN
Size	A3	Document Number WTR PWR
Date:	Wednesday, September 11, 2019	Sheet 15 of 70



5

4

3

2

1

D

D

C

C

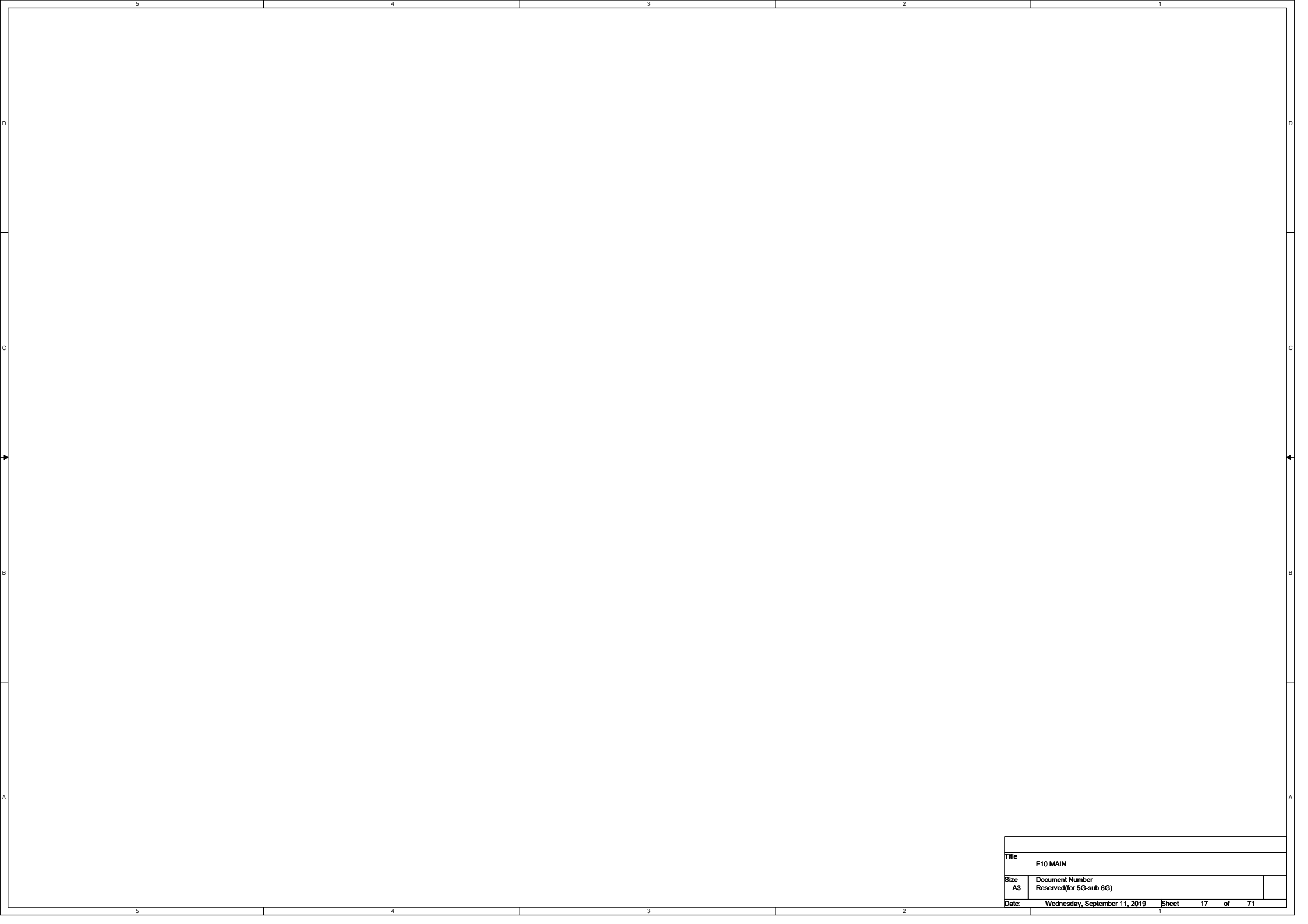
B

B

A

A

Title	
F10 MAIN	
Size	Document Number
A3	Reserved(for WTR)
Date:	Wednesday, September 11, 2019
Sheet	16 of 71



5

4

3

2

1

D

D

C

C

B

B

A

A

Title	
F10 MAIN	
Size	Document Number
A3	Reserved(for 5G-sub 6G)
Date:	Wednesday, September 11, 2019
Sheet	17 of 71

5

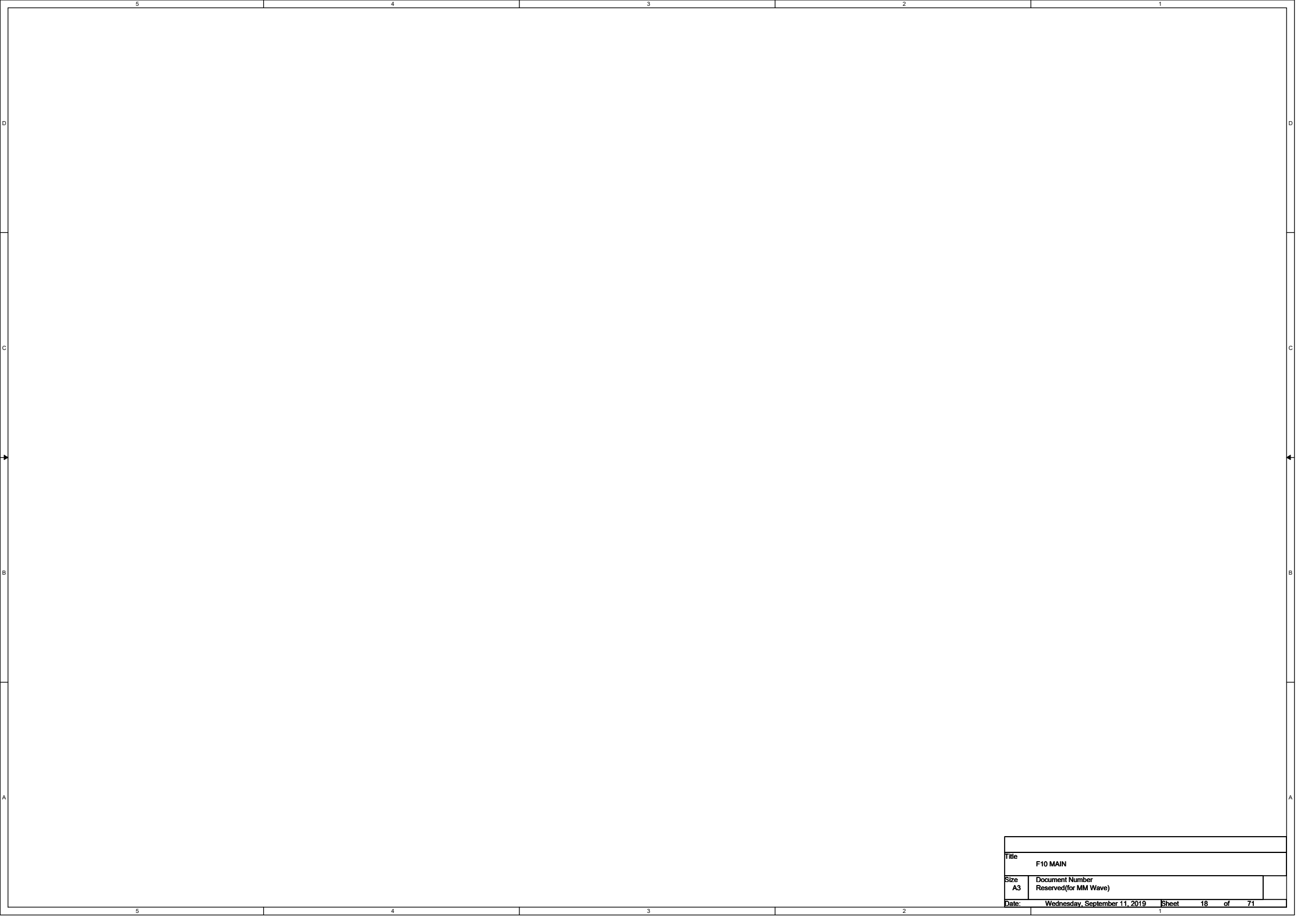
4

3

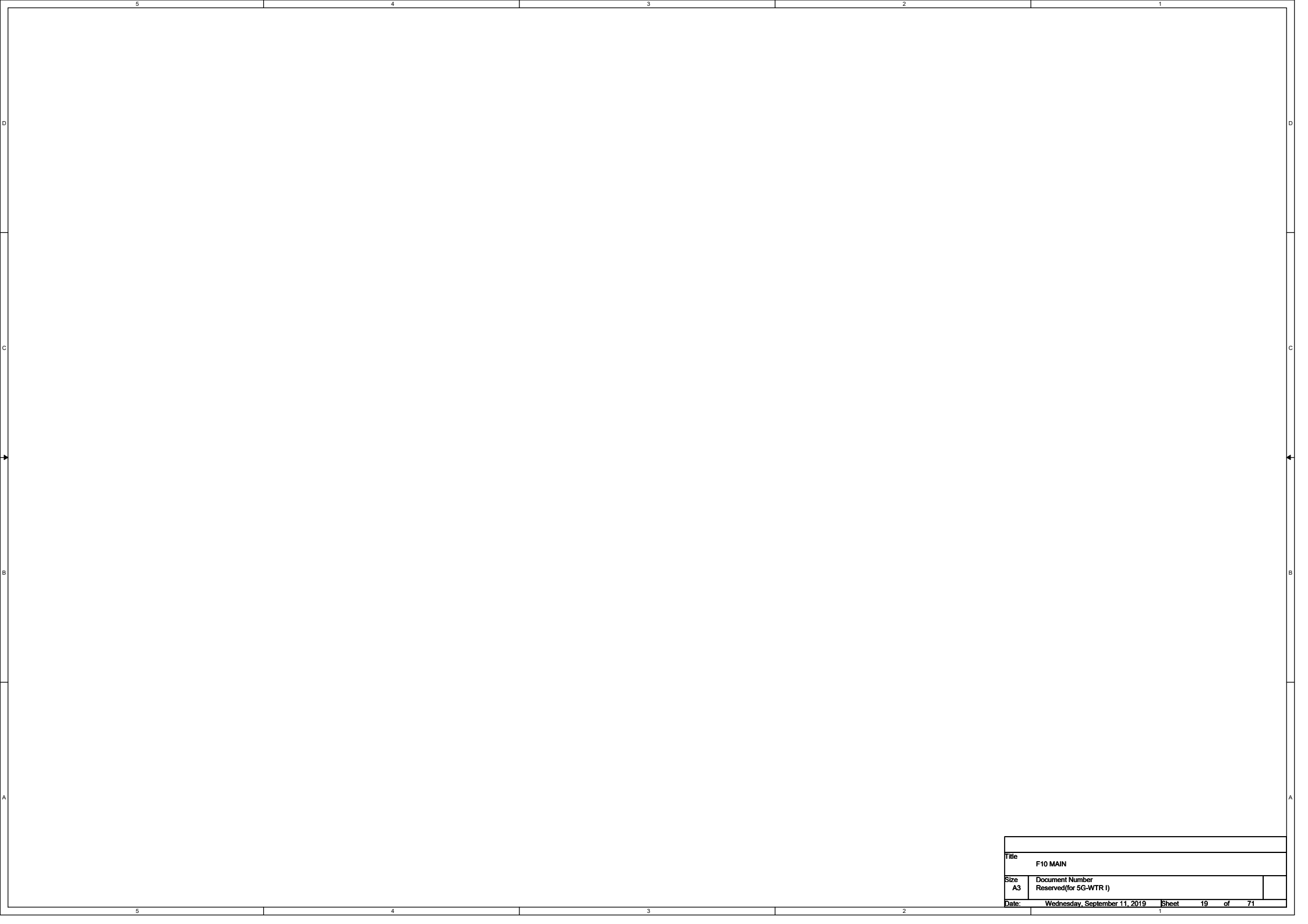
2

1





Title	
F10 MAIN	
Size	Document Number
A3	Reserved(for MM Wave)
Date:	Wednesday, September 11, 2019
Sheet	18 of 71



5

4

3

2

1

D

D

C

C

B

B

A

A

Title	
F10 MAIN	
Size	Document Number
A3	Reserved(for 5G-WTR I)
Date:	Wednesday, September 11, 2019
Sheet	19 of 71

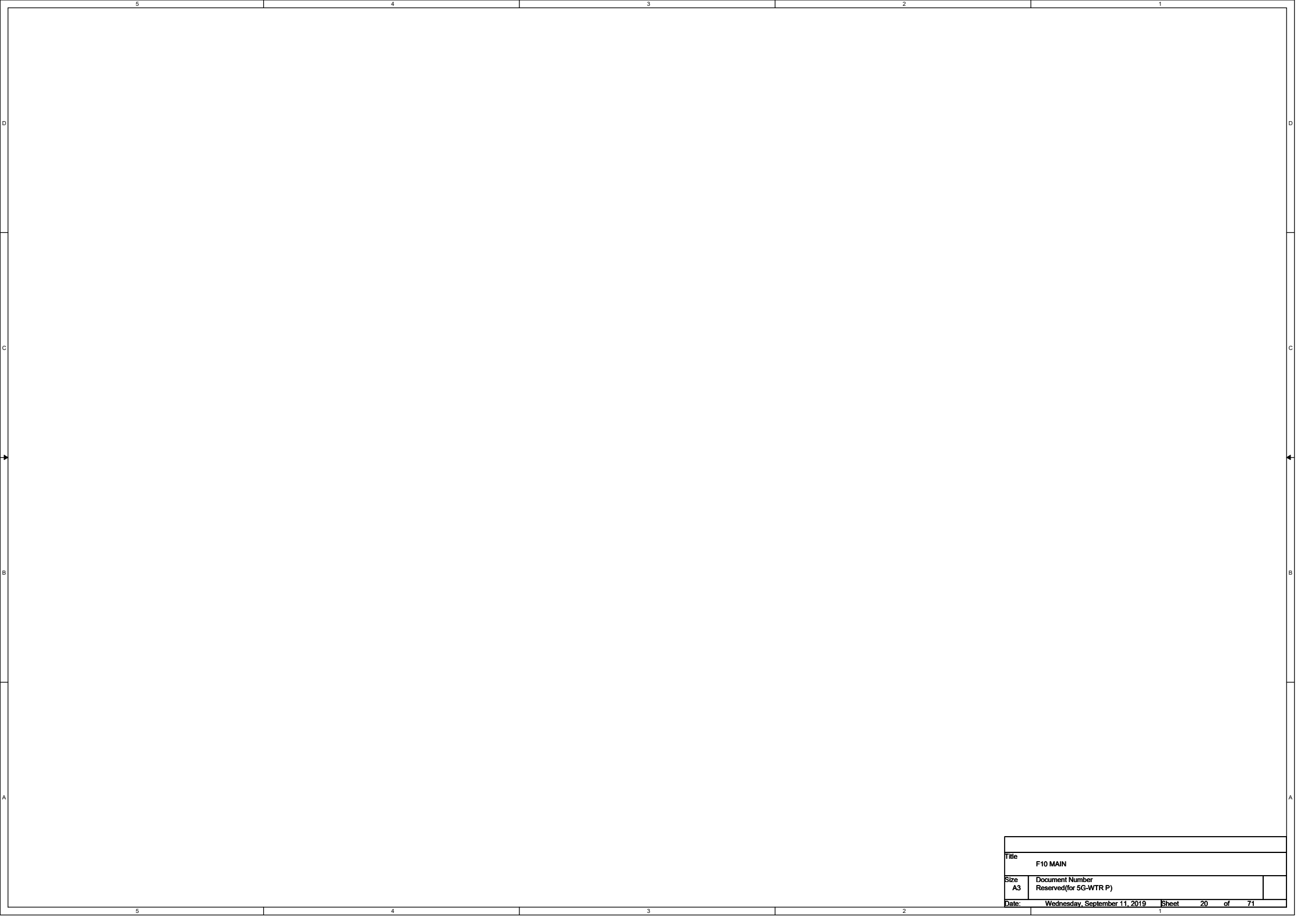
5

4

3

2

1



5

4

3

2

1

D

D

C

C

B

B

A

A

Title	
F10 MAIN	
Size	Document Number
A3	Reserved(for 5G-WTR P)
Date:	Wednesday, September 11, 2019
Sheet	20 of 71

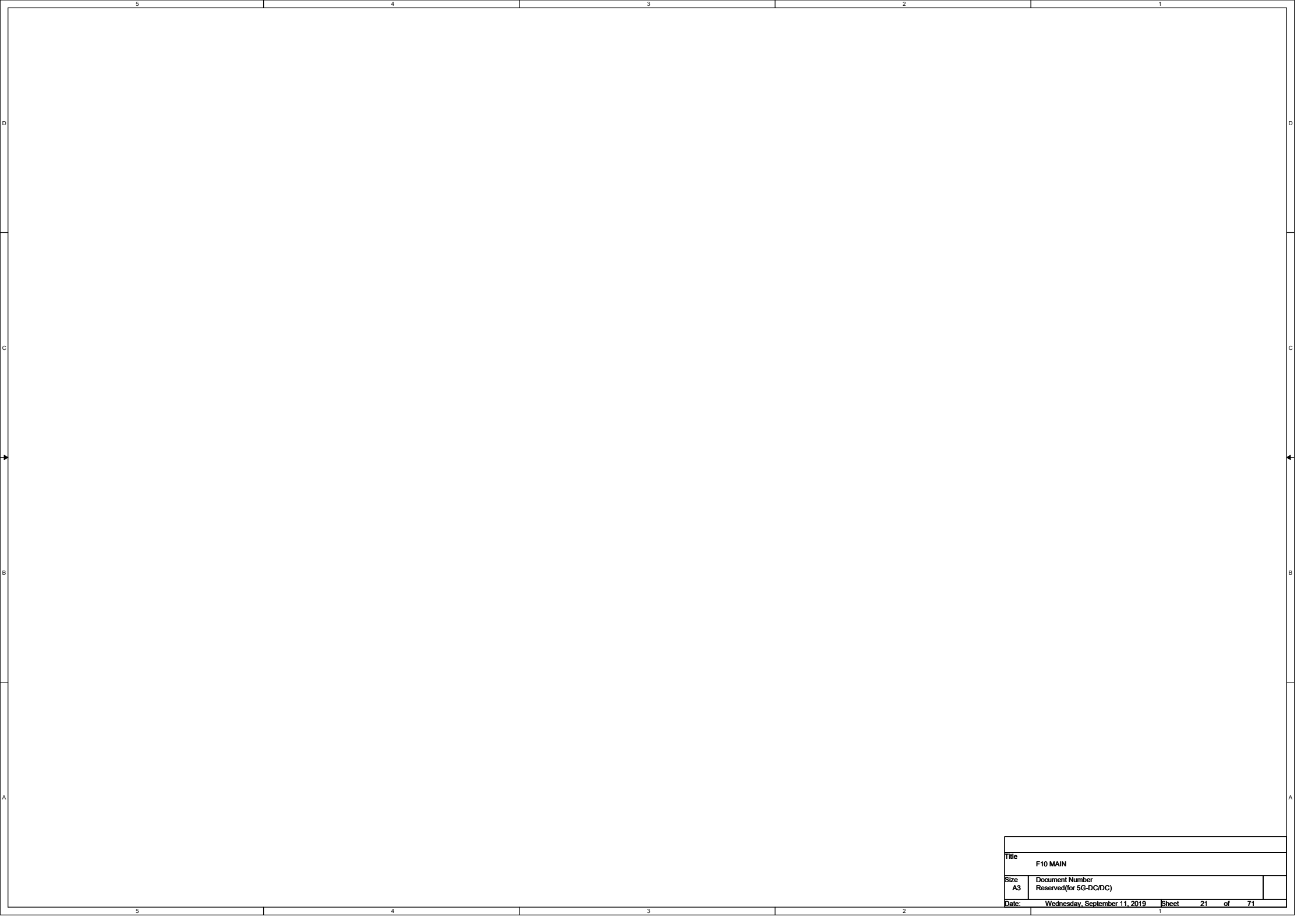
5

4

3

2

1



5

4

3

2

1

D

D

C

C

B

B

A

A

Title	
F10 MAIN	
Size	Document Number
A3	Reserved(for 5G-DC/DC)
Date:	Wednesday, September 11, 2019
Sheet	21 of 71

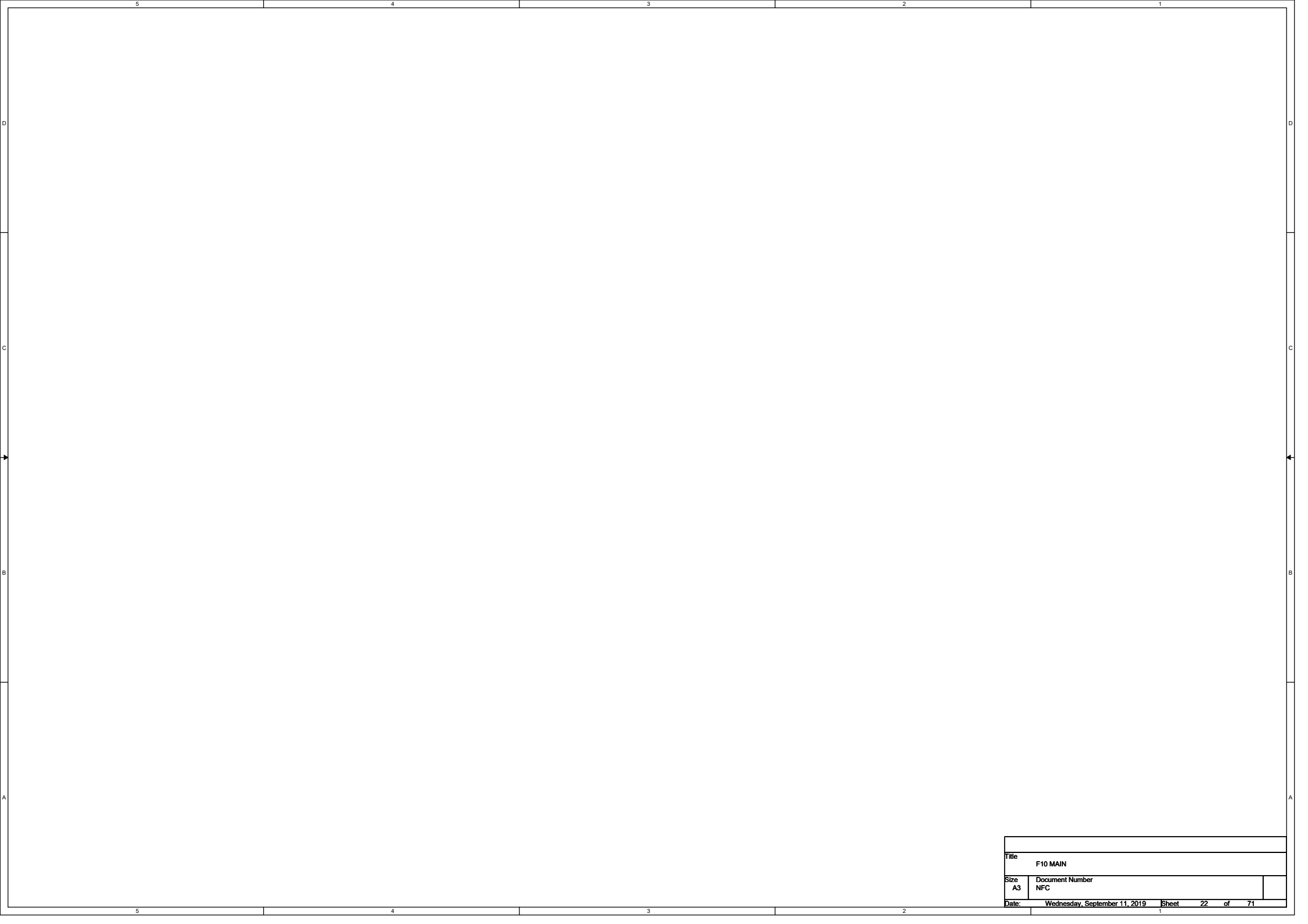
5

4

3

2

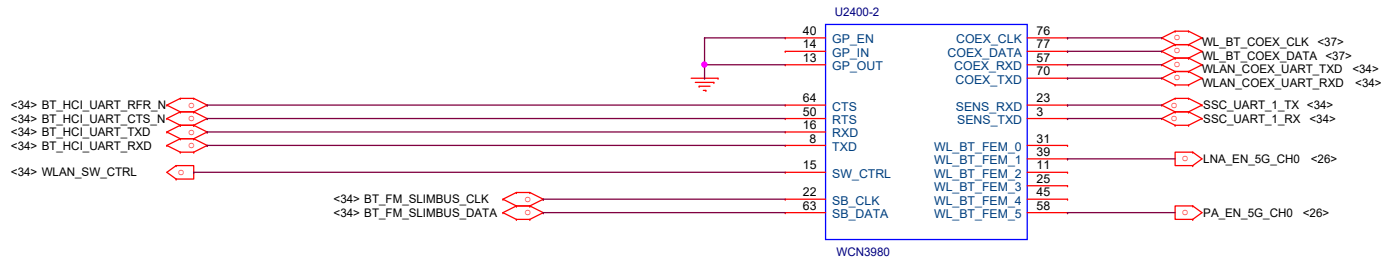
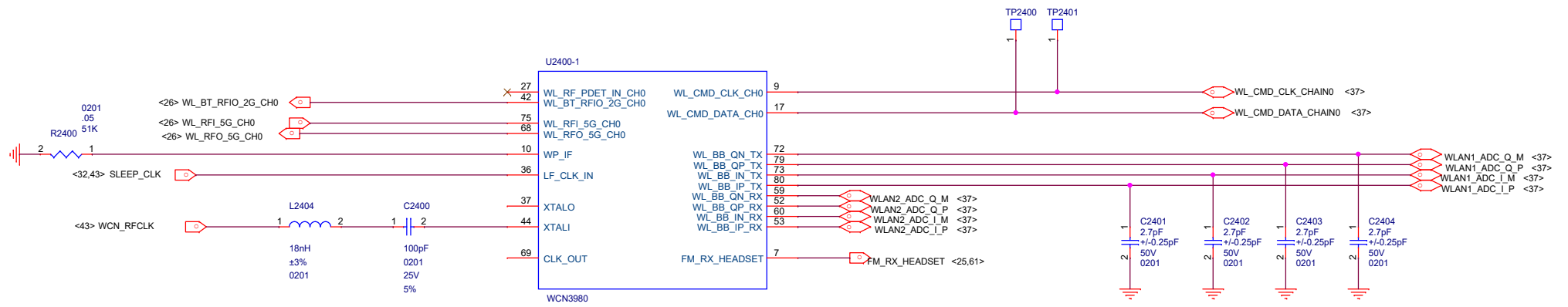
1



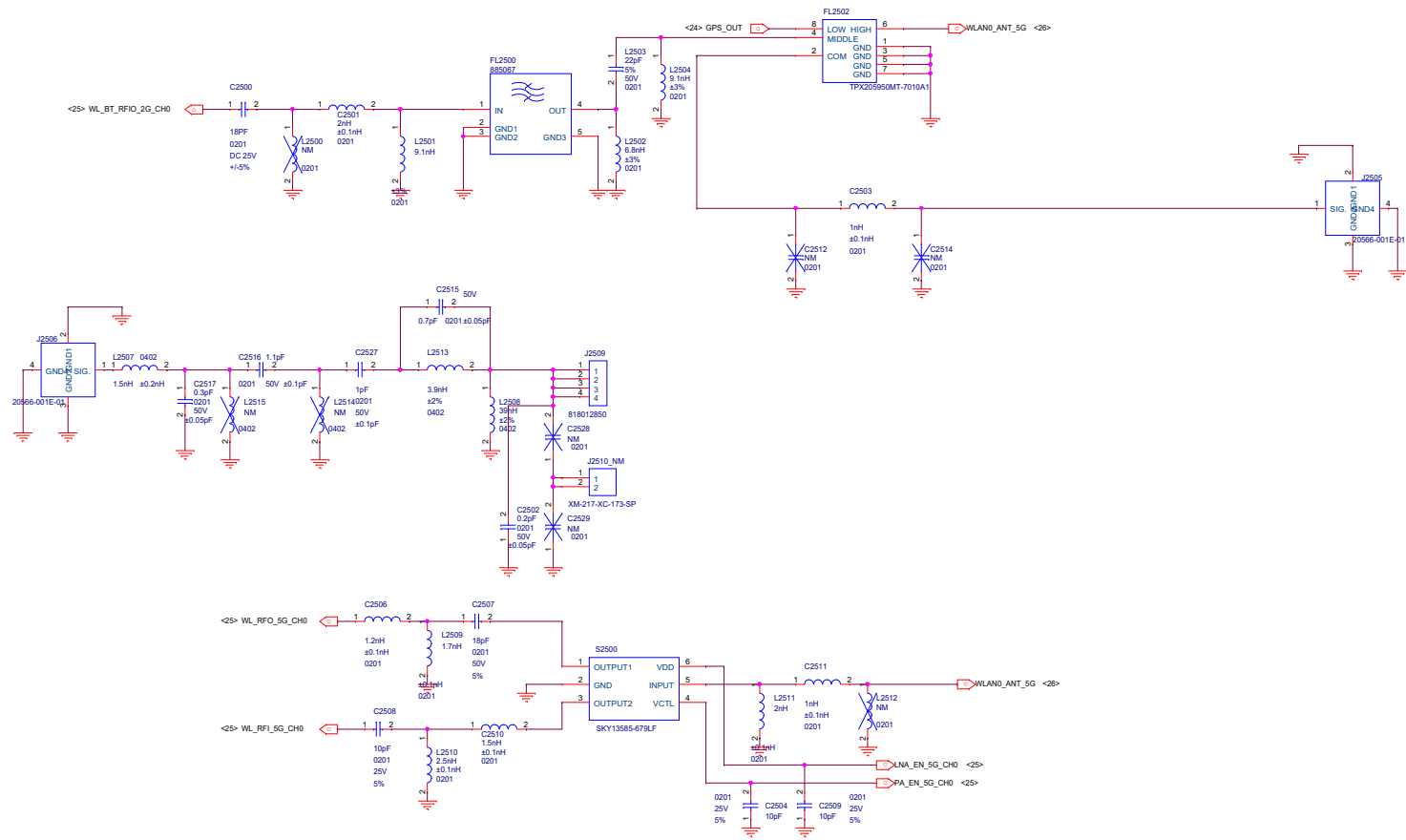
Title	
F10 MAIN	
Size	Document Number
A3	NFC
Date:	Wednesday, September 11, 2019
Sheet	22 of 71



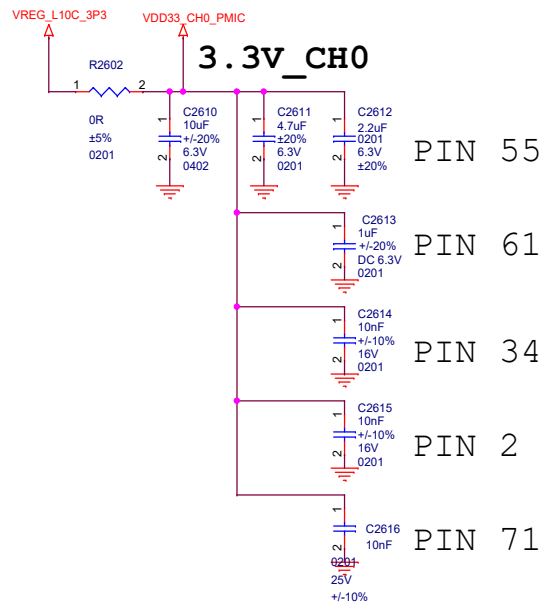
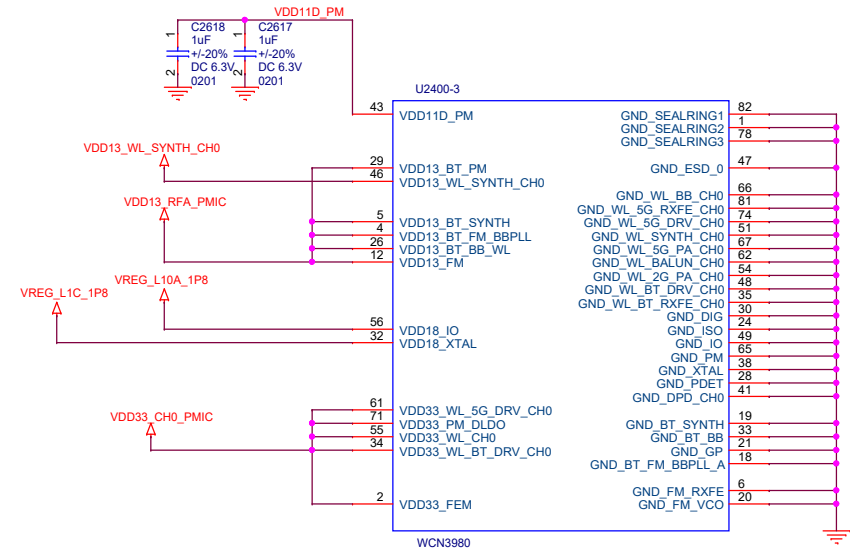
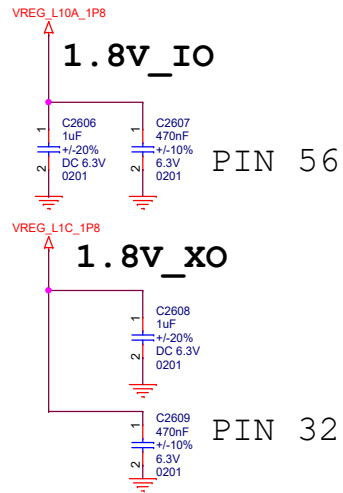
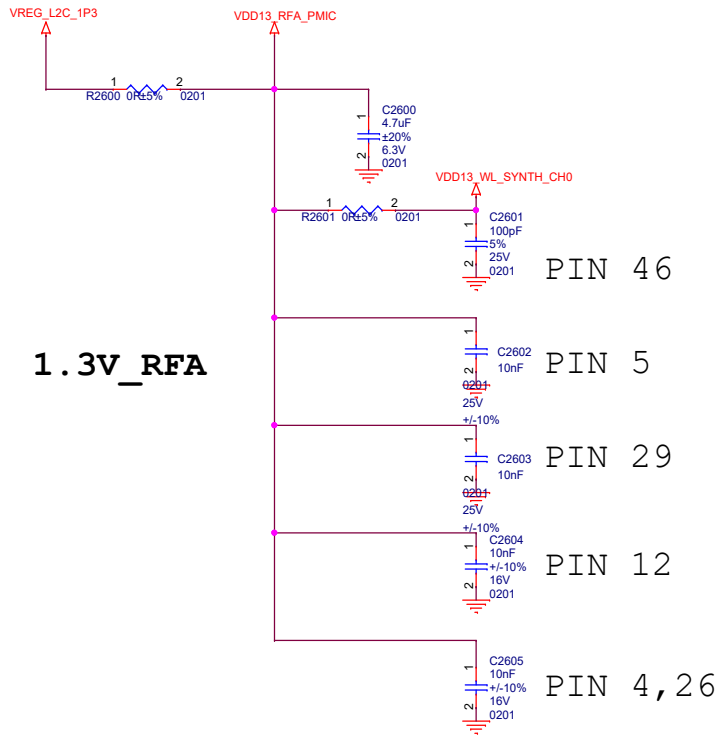




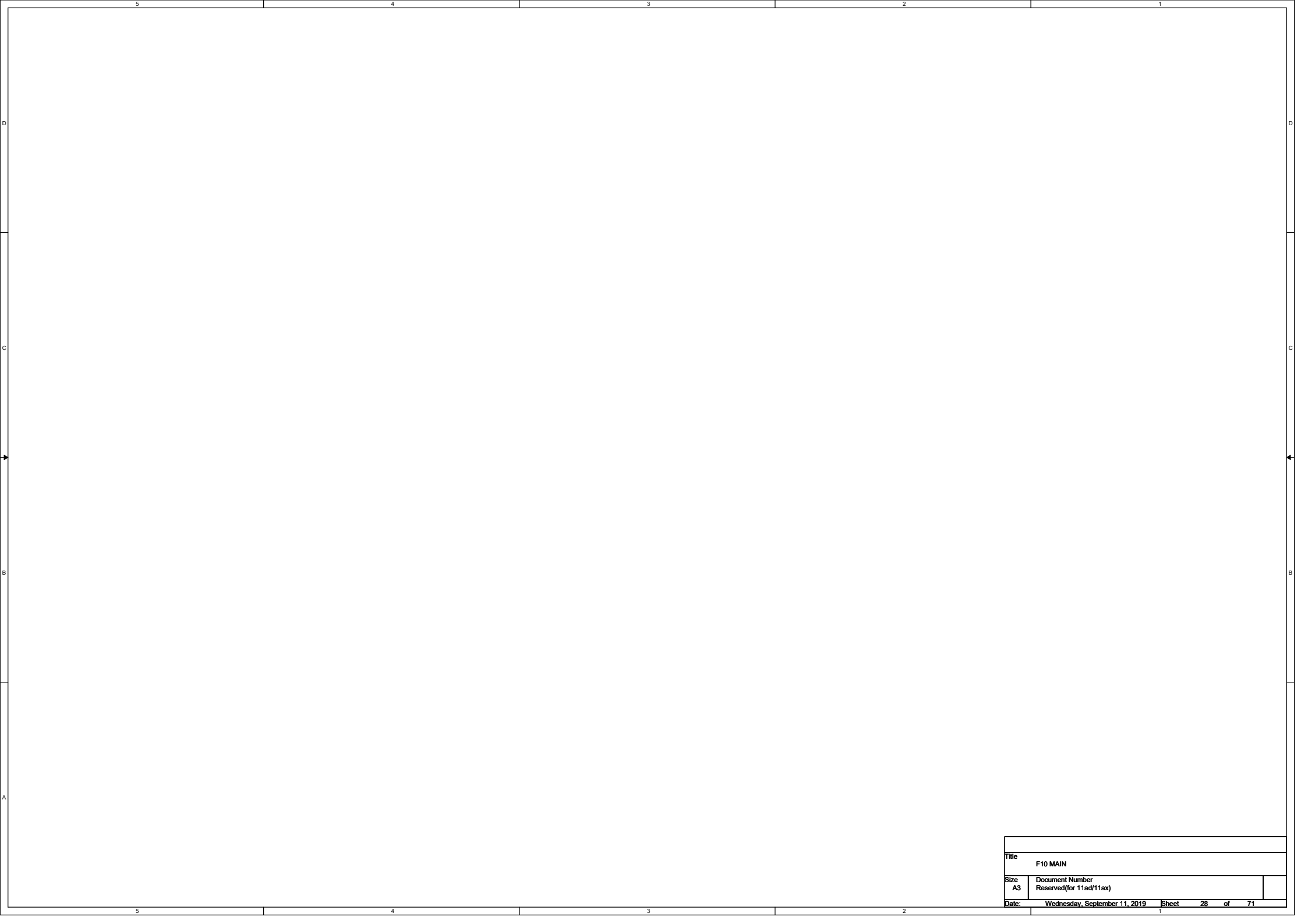




Title		F10 MAIN
Size	Document Number	
A2	WIFI FEM	
Date:	Wednesday, September 11, 2019	Sheet



Title		F10 MAIN
Size	Document Number	
A3	WiFi Decoupling	
Date:	Wednesday, September 11, 2019	Sheet 27 of 71



5

4

3

2

1

D

D

C

C

B

B

A

A

Title	
F10 MAIN	
Size	Document Number
A3	Reserved(for 11ad/11ax)
Date:	Wednesday, September 11, 2019
Sheet	28 of 71

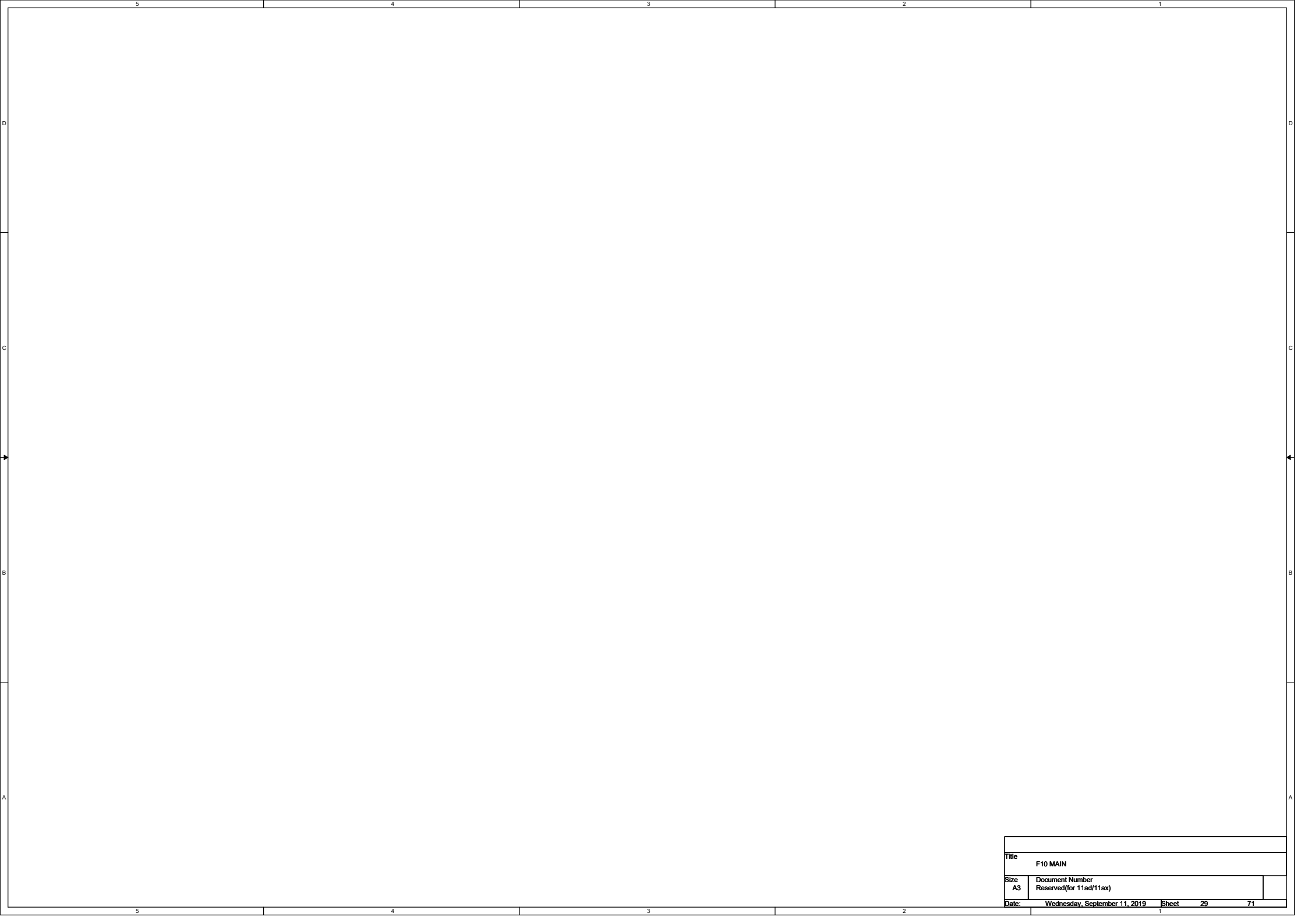
5

4

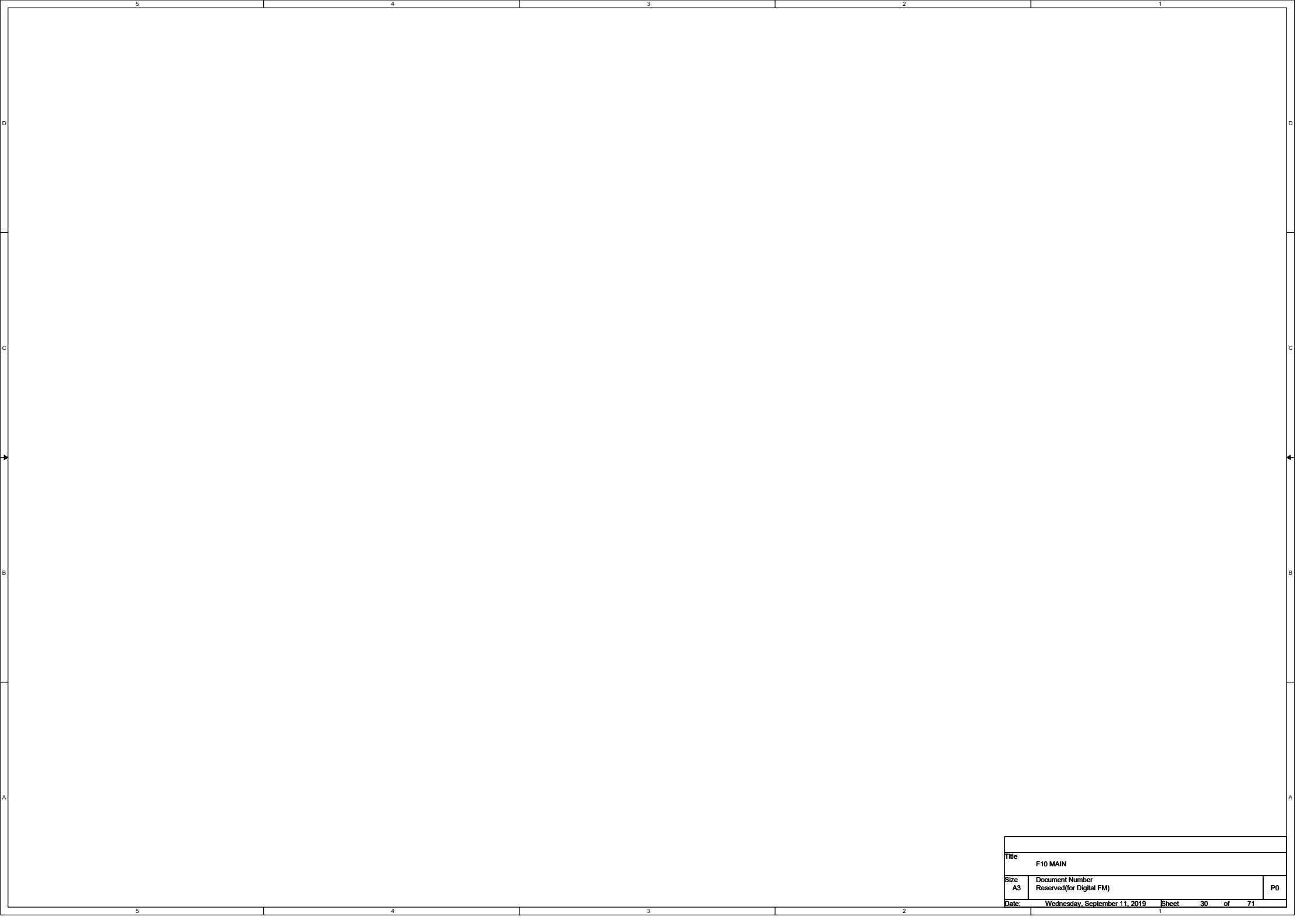
3

2

1



Title	
F10 MAIN	
Size	Document Number
A3	Reserved(for 11ad/11ax)
Date:	Wednesday, September 11, 2019
Sheet	29
	71



5

4

3

2

1

D

D

C

C

B

B

A

A

Title		
F10 MAIN		
Size	Document Number	P0
A3	Reserved(for Digital FM)	
Date:	Wednesday, September 11, 2019	Sheet 30 of 71

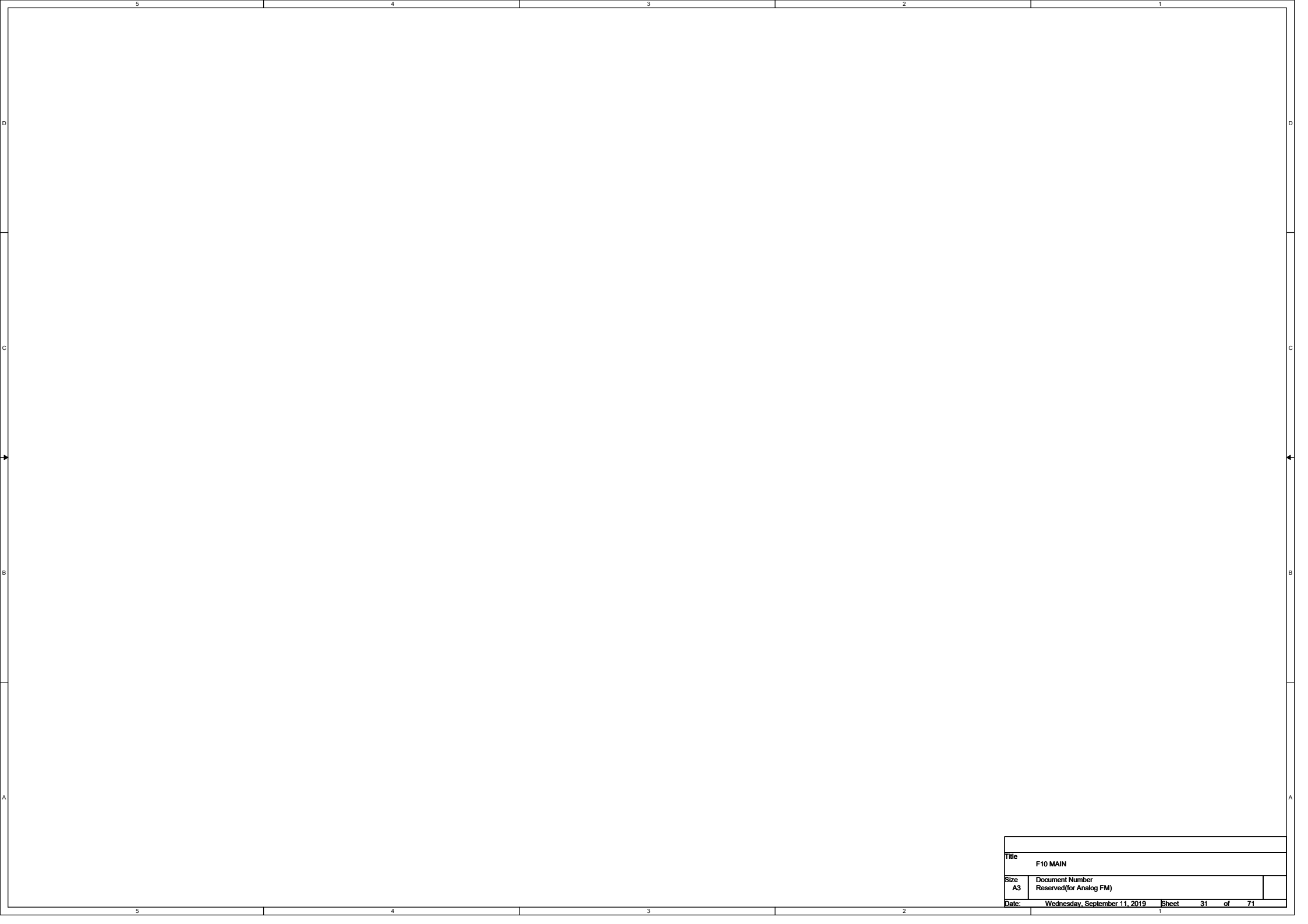
5

4

3

2

1



5

4

3

2

1

D

D

C

C

B

B

A

A

Title	
F10 MAIN	
Size	Document Number
A3	Reserved(for Analog FM)
Date:	Wednesday, September 11, 2019
Sheet	31 of 71

5

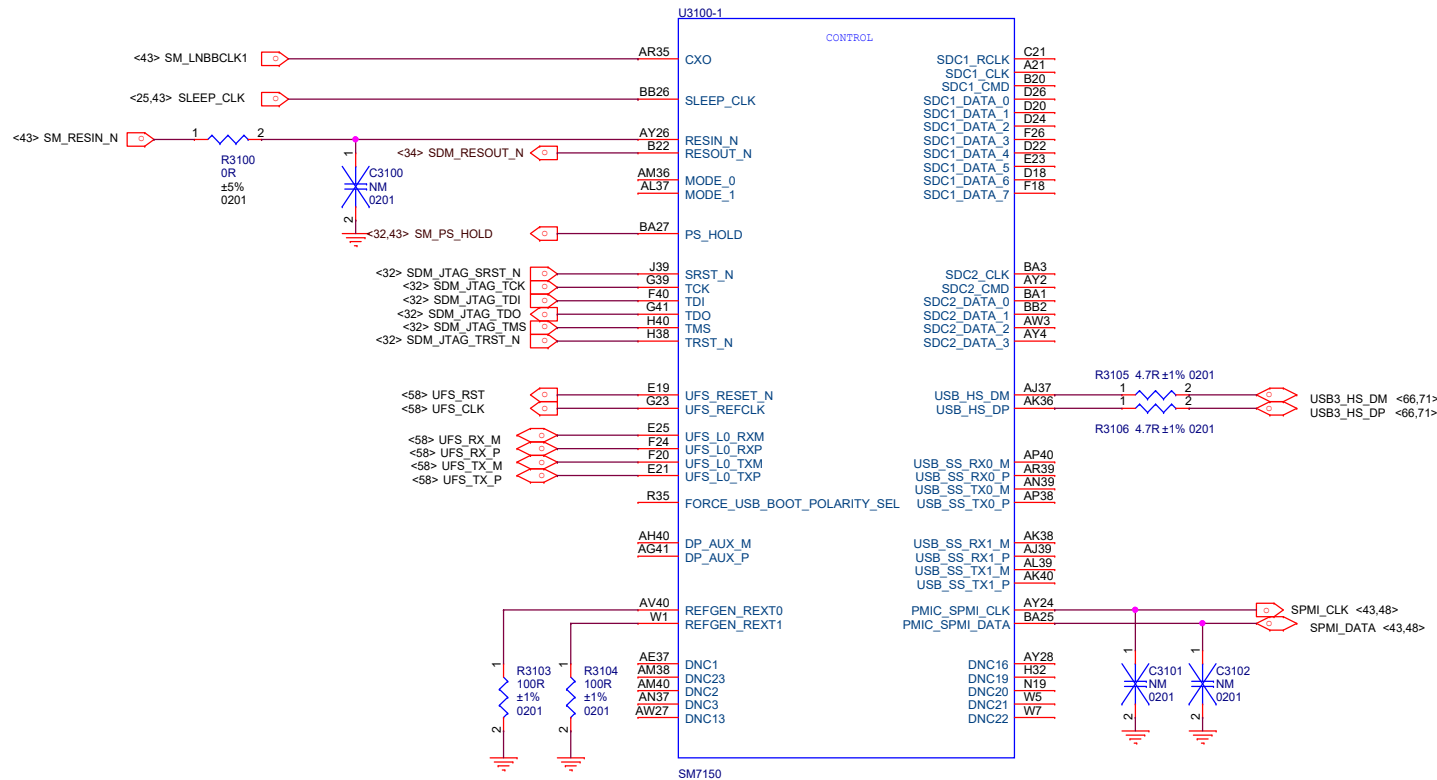
4

3

2

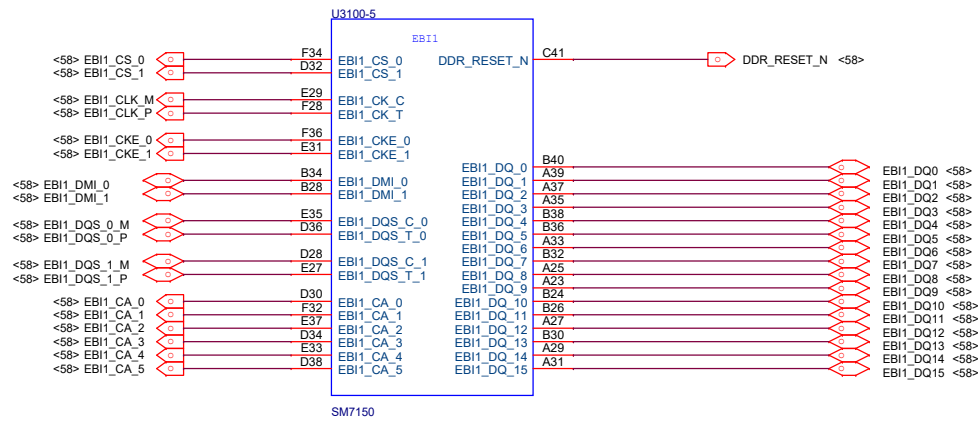
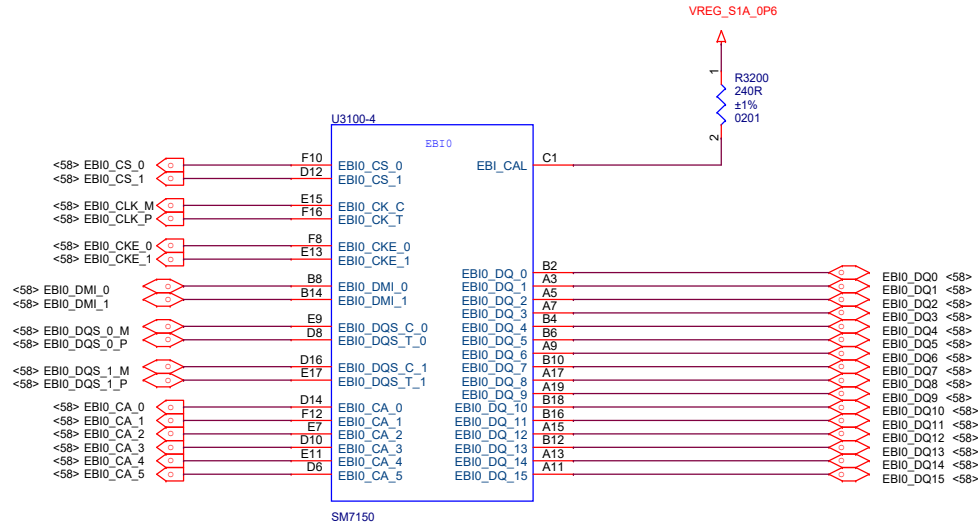
1

MODE	Operation
00	NATIVE
01	TIC
10	ATEST
11	TEST

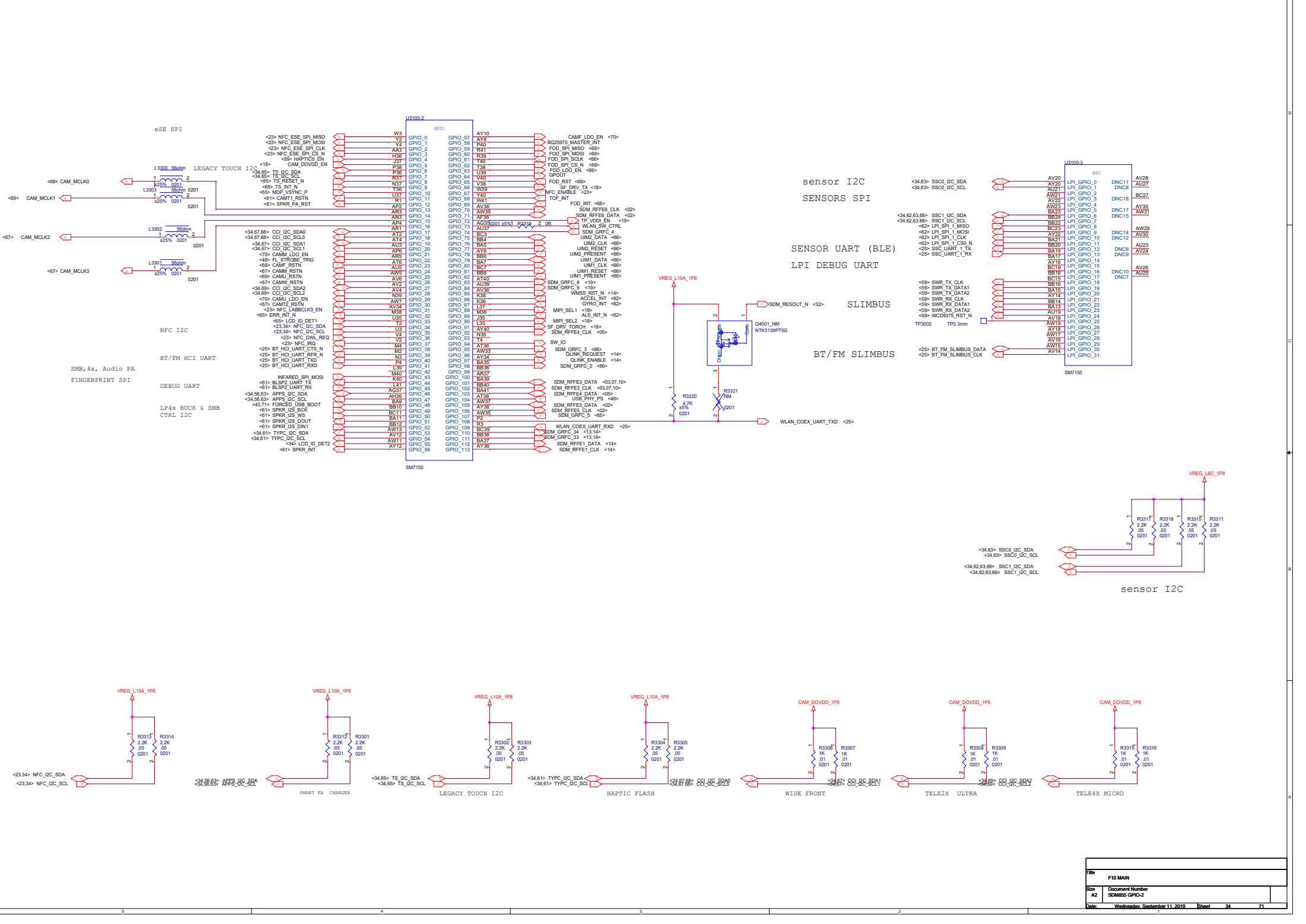


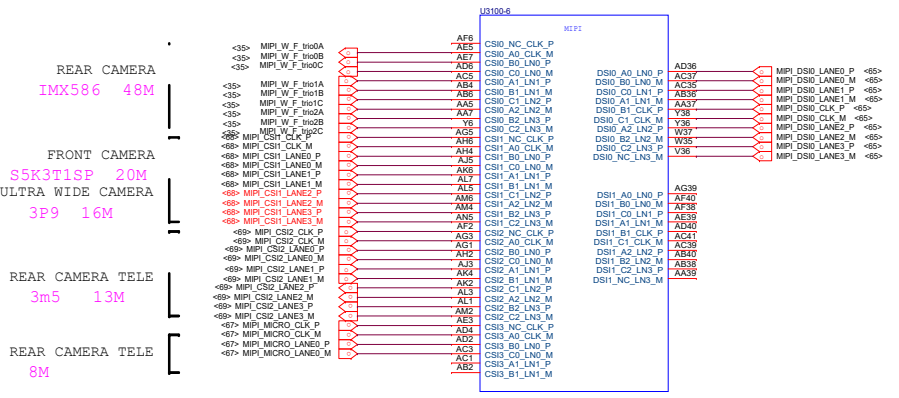
<32> SDM_JTAG_TDI	1	TP3102	TP0.3mm
<32> SDM_JTAG_TMS	1	TP3103	TP0.3mm
<32> SDM_JTAG_TMS	1	TP3104	TP0.3mm
<32,43> SM_PS_HOLD	1	TP3105	TP0.3mm
<32> SDM_JTAG_TCK	1	TP3106	TP0.3mm
<32> SDM_JTAG_TDO	1	TP3107	TP0.3mm
<32> SDM_JTAG_SRST_N	1	TP3108	TP0.3mm
<32> SDM_JTAG_TRST_N	1	TP3108	TP0.3mm

Title		F10 MAIN
Size	A3	Document Number
		SDM855 Control
Date:	Wednesday, September 11, 2019	Sheet 32 of 71

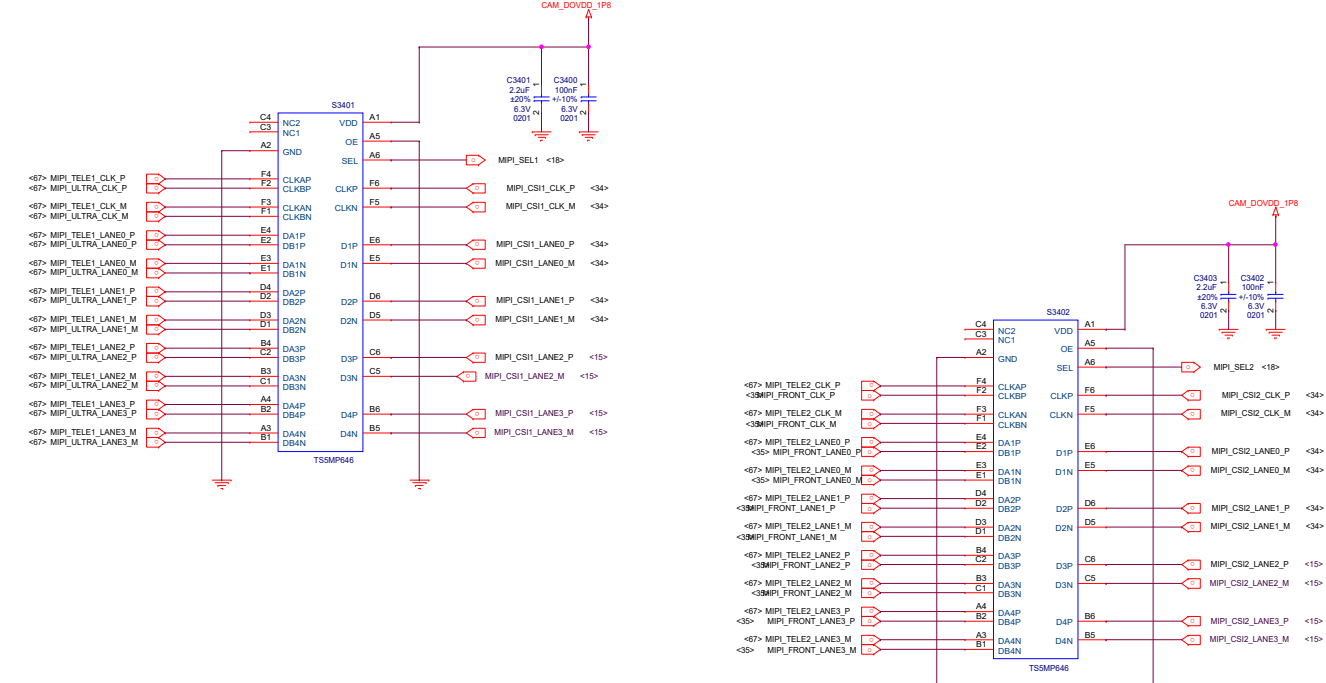


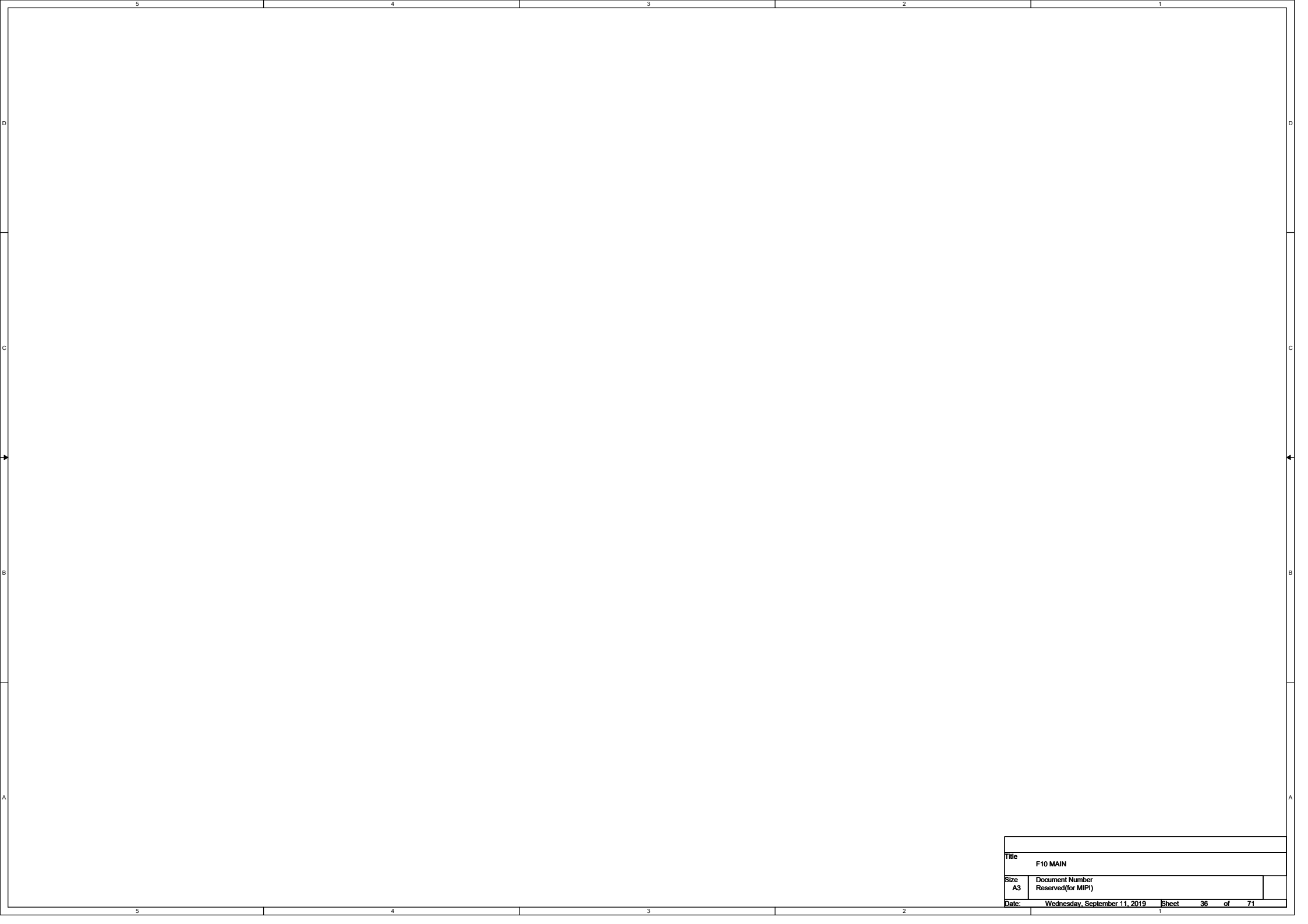






**FRONT- Ultra SWITCH**





5

4

3

2

1

D

D

C

C

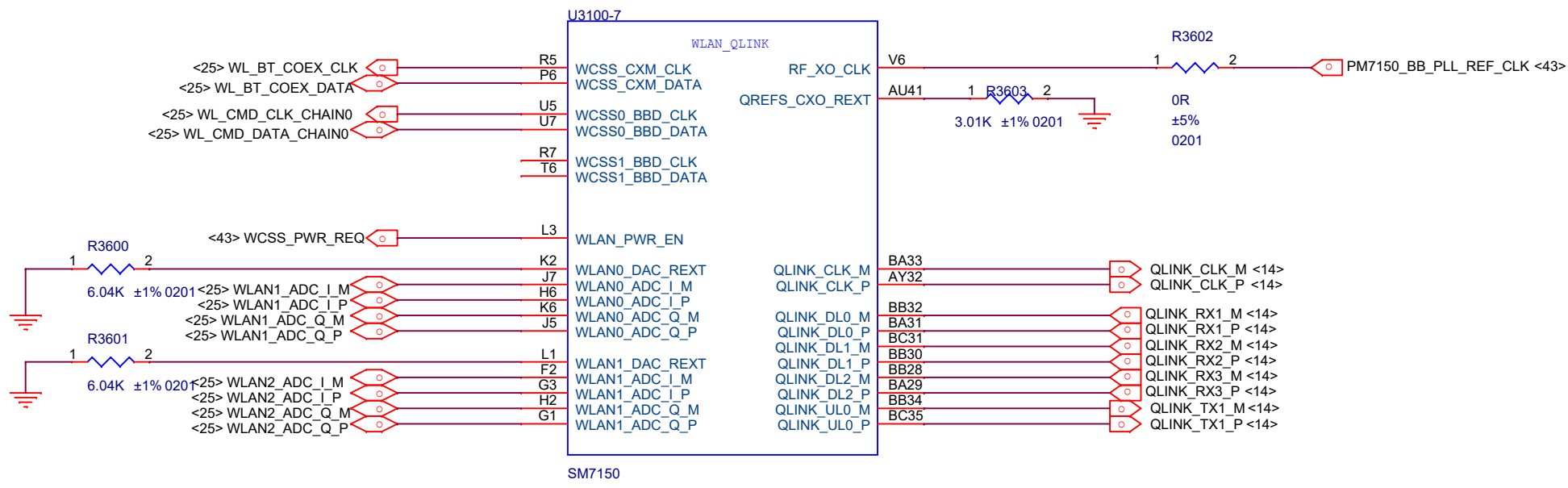
B

B

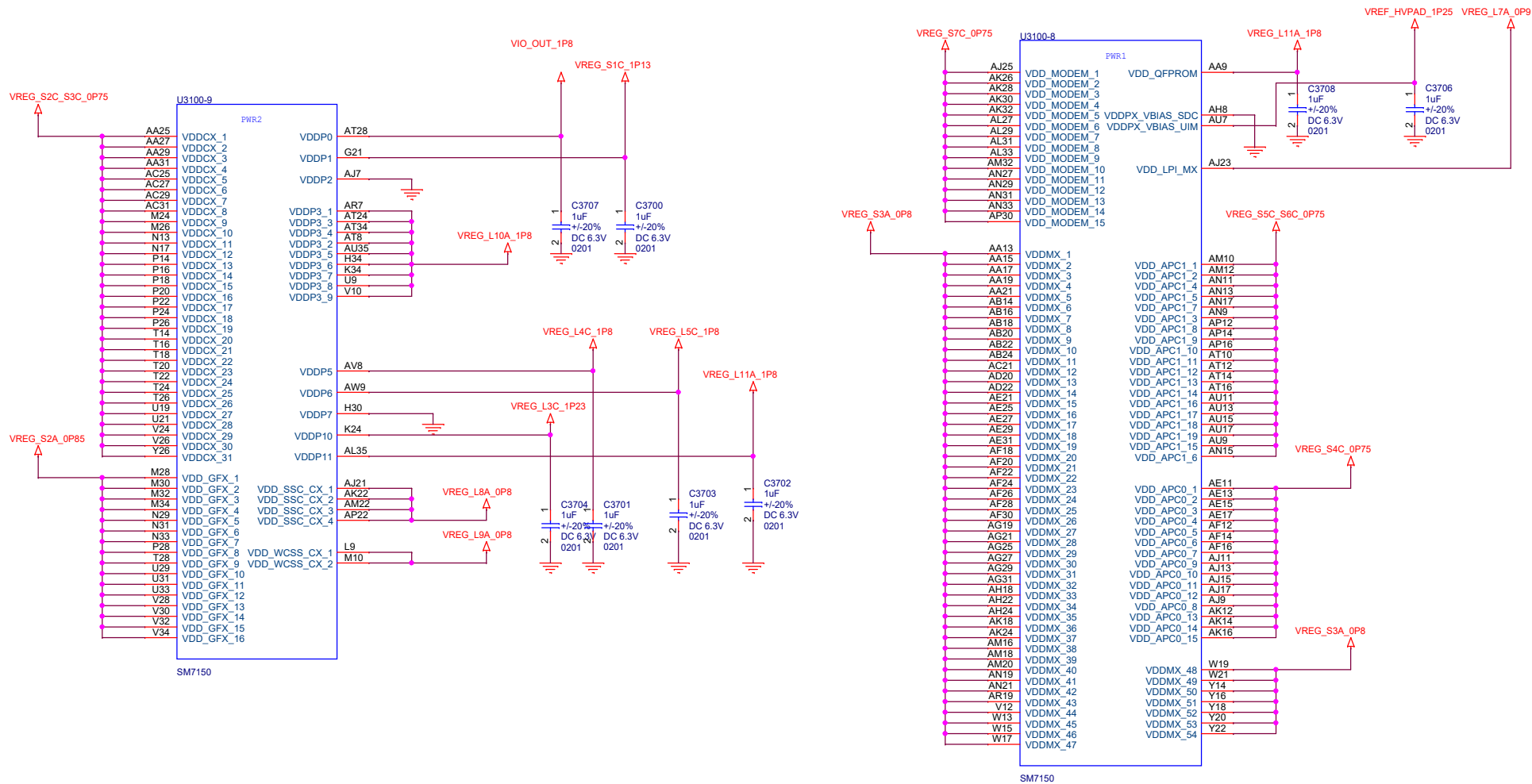
A

A

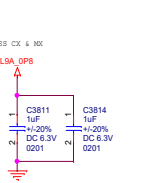
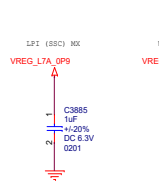
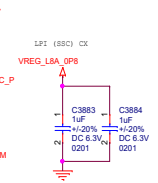
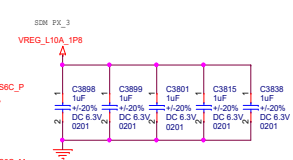
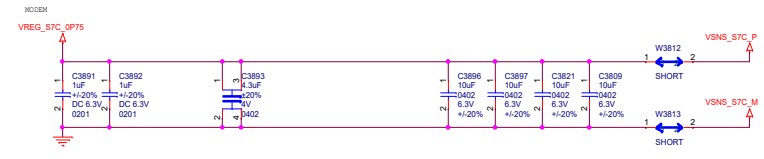
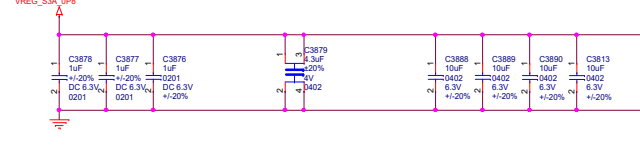
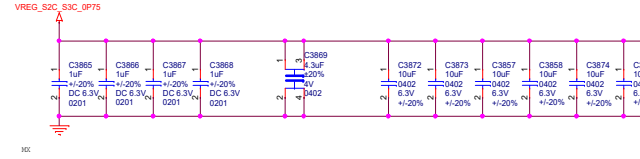
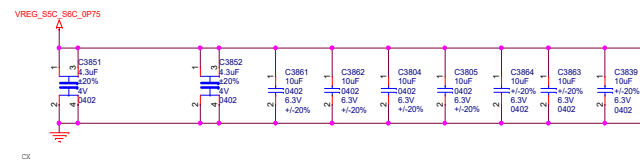
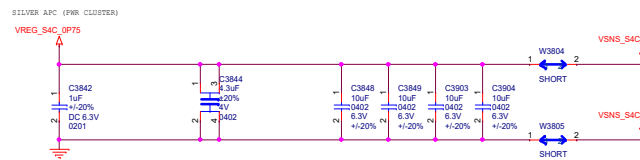
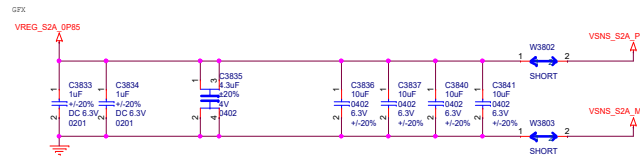
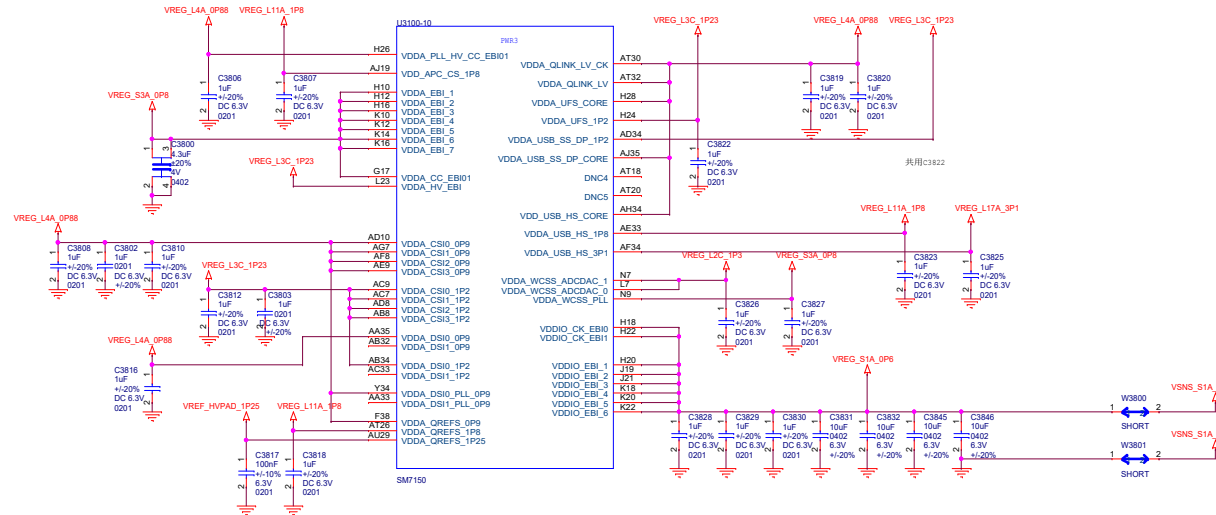
Title	
F10 MAIN	
Size	Document Number
A3	Reserved(for MPI)
Date:	Wednesday, September 11, 2019
Sheet	36 of 71

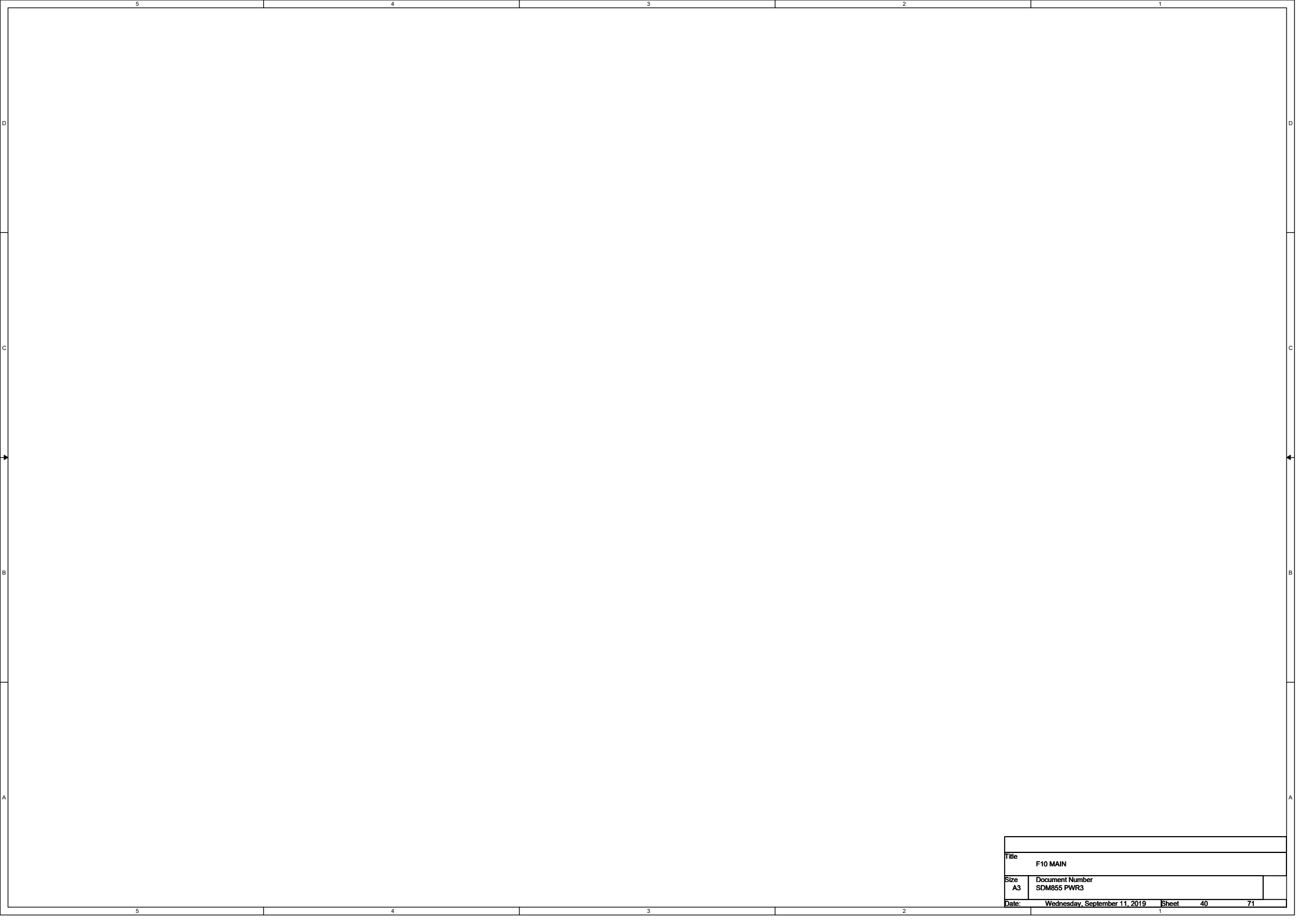


Title		F10 MAIN	
Size	A4	Document Number	SDM855 RF INTF
Date:	Wednesday, September 11, 2019	Sheet	37 of 71



Title		F10 MAIN	
Size	A3	Document Number	SDM855 PWR1
Date:	Wednesday, September 11, 2019	Sheet	38
			71





Title	
F10 MAIN	
Size	Document Number
A3	SDM855 PWR3
Date:	Wednesday, September 11, 2019
Sheet	40
	71

5

4

3

2

1

D

D

C

C

B

B

A

Title		F10 MAIN	
Size	A4	Document Number	SDM855 PWR4
Date:	Wednesday, September 11, 2019	Sheet	41
	2		1

5

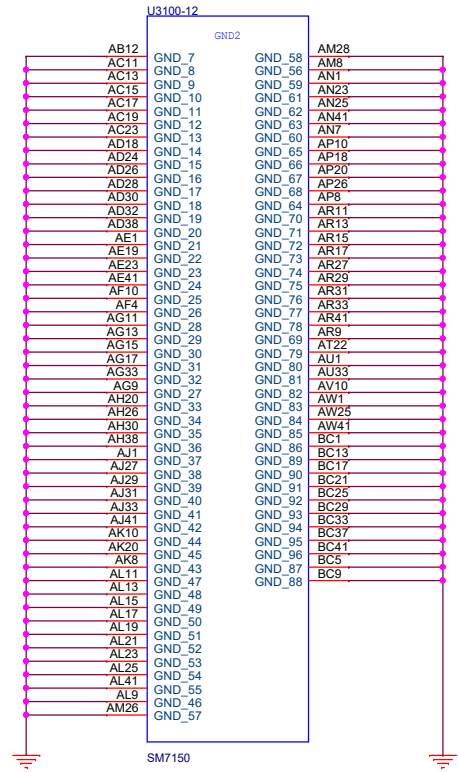
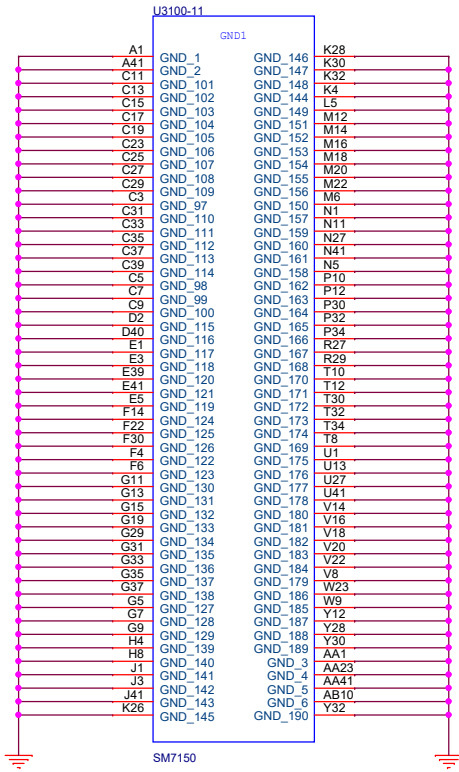
4

3

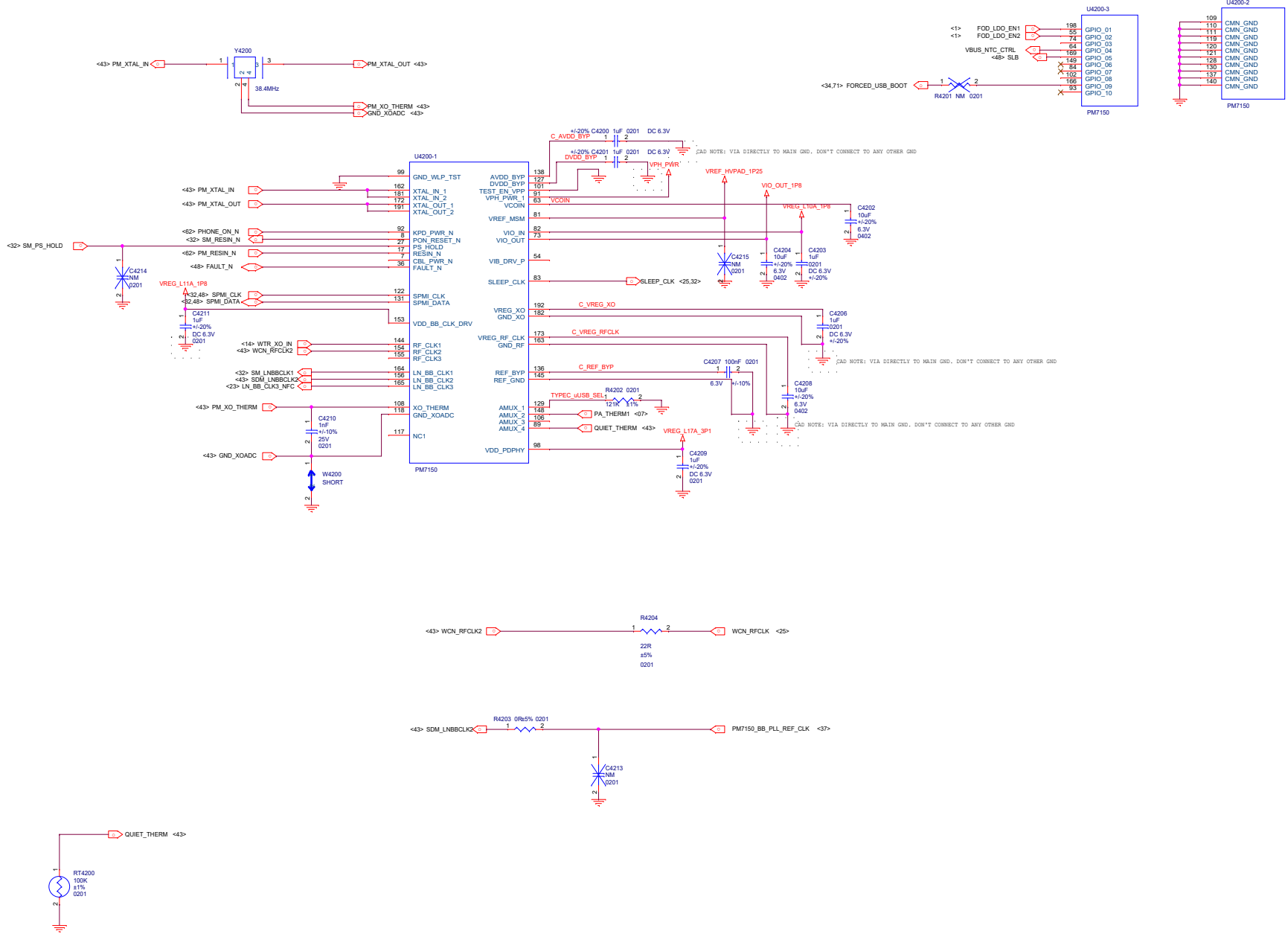
2

1

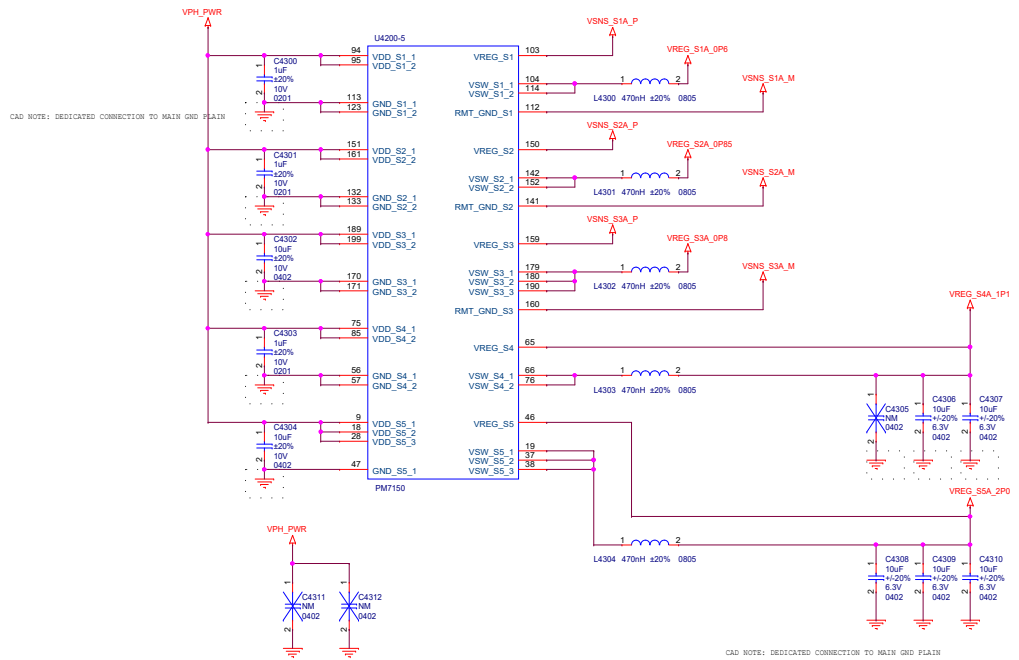




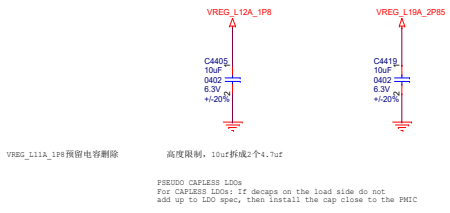
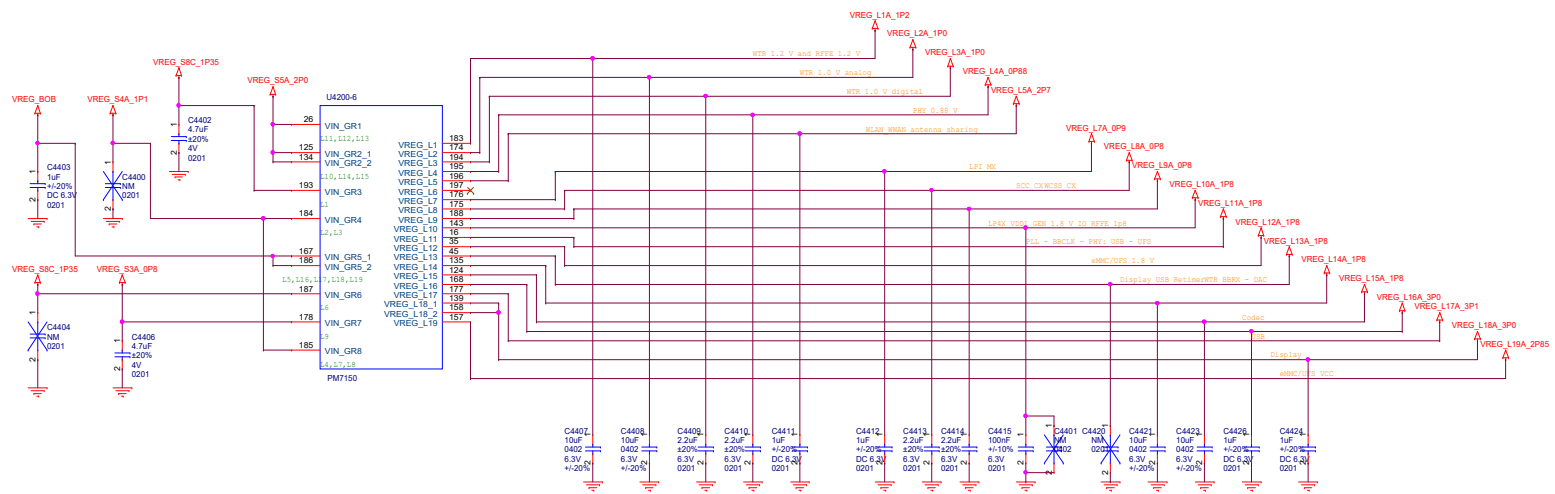
Title		F10 MAIN	
Size	A3	Document Number	SDM855 GND
Date:	Wednesday, September 11, 2019	Sheet	42
			71



File		F10 MAIN	
Size	A2	Document Number	PM7150_XOCTRL
Date	Wednesday, September 11, 2019		Sheet

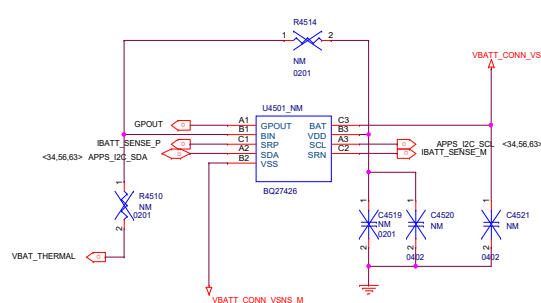
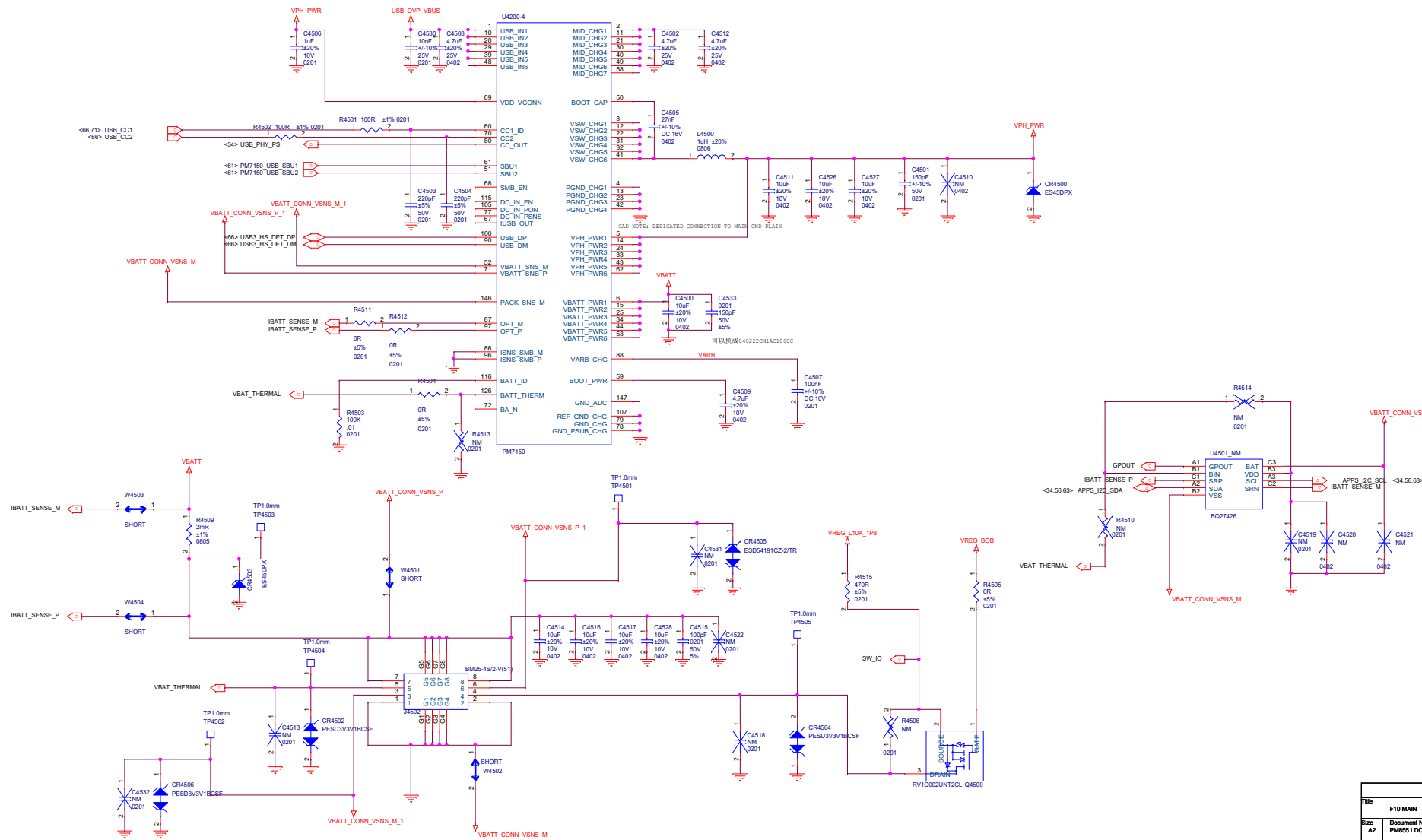


Title		F10 MAIN
Size	Document Number	
A2	PM7150 BUCK CONVERTER1	
Date	Wednesday, September 11, 2019	Sheet



VREG\_L11A\_1P8预留电容删除  
 高度限制, 10uF拆成2个4.7uF  
 PSEUDO CAPLESS LDOs  
 For CAPLESS LDOs: If decaps on the load side do not  
 add up to LDO spec, then install the cap close to the PMIC

Title	F10 MAIN
Size	Document Number
A2	PM7150 BUCK CONVERTER2
Date:	Wednesday, September 11, 2019 Sheet



File	F10 MAIN
Size	Document Number
A2	PM7150 LDOs
Date	Wednesday, September 11, 2019 1:28

5

4

3

2

1

D

D

C

C

B

B

A

A

Title	
F10 MAIN	
Size	Document Number
A4	PM855 GPIO&GND
Date:	Wednesday, September 11, 2019
Sheet	47 of 71

5

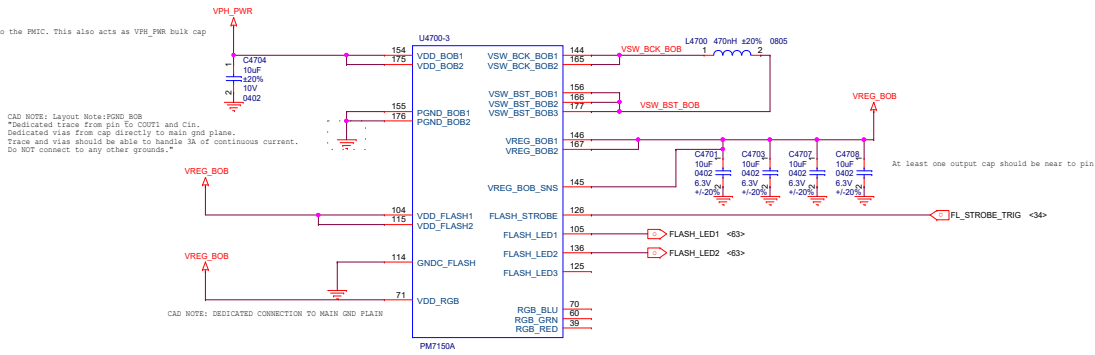
4

3

2

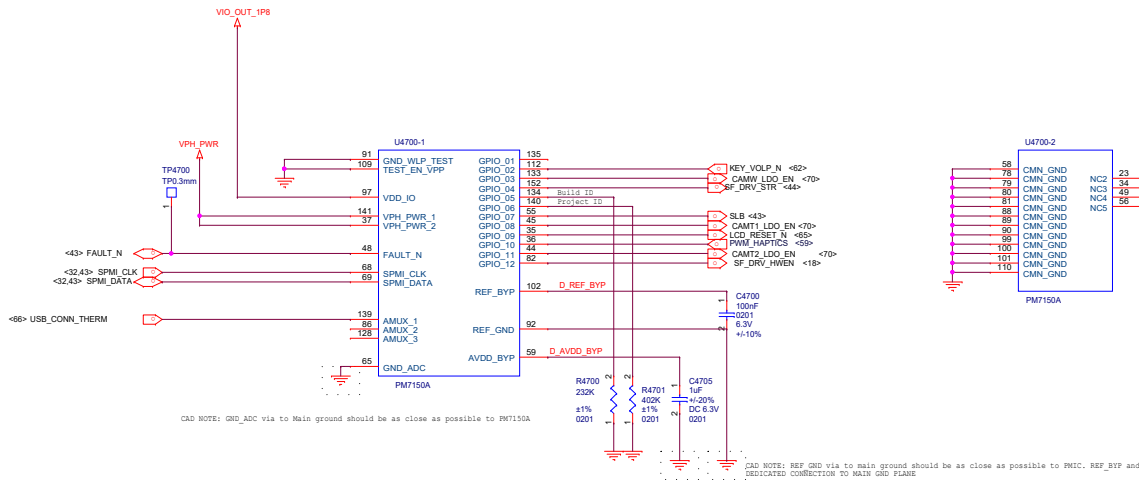
1

CAD Note: Place C4704 right next to the PMIC. This also acts as VPH\_PWR bulk cap



CAD NOTE: Layout Note: PGND\_BOB  
 \*Dedicated trace from pin to COU1 and Clin.  
 \*Dedicated vias from cap directly to main gnd plane.  
 Trace and vias should be able to handle 3A of continuous current.  
 Do NOT connect to any other grounds.\*

CAD NOTE: DEDICATED CONNECTION TO MAIN GND PLANE

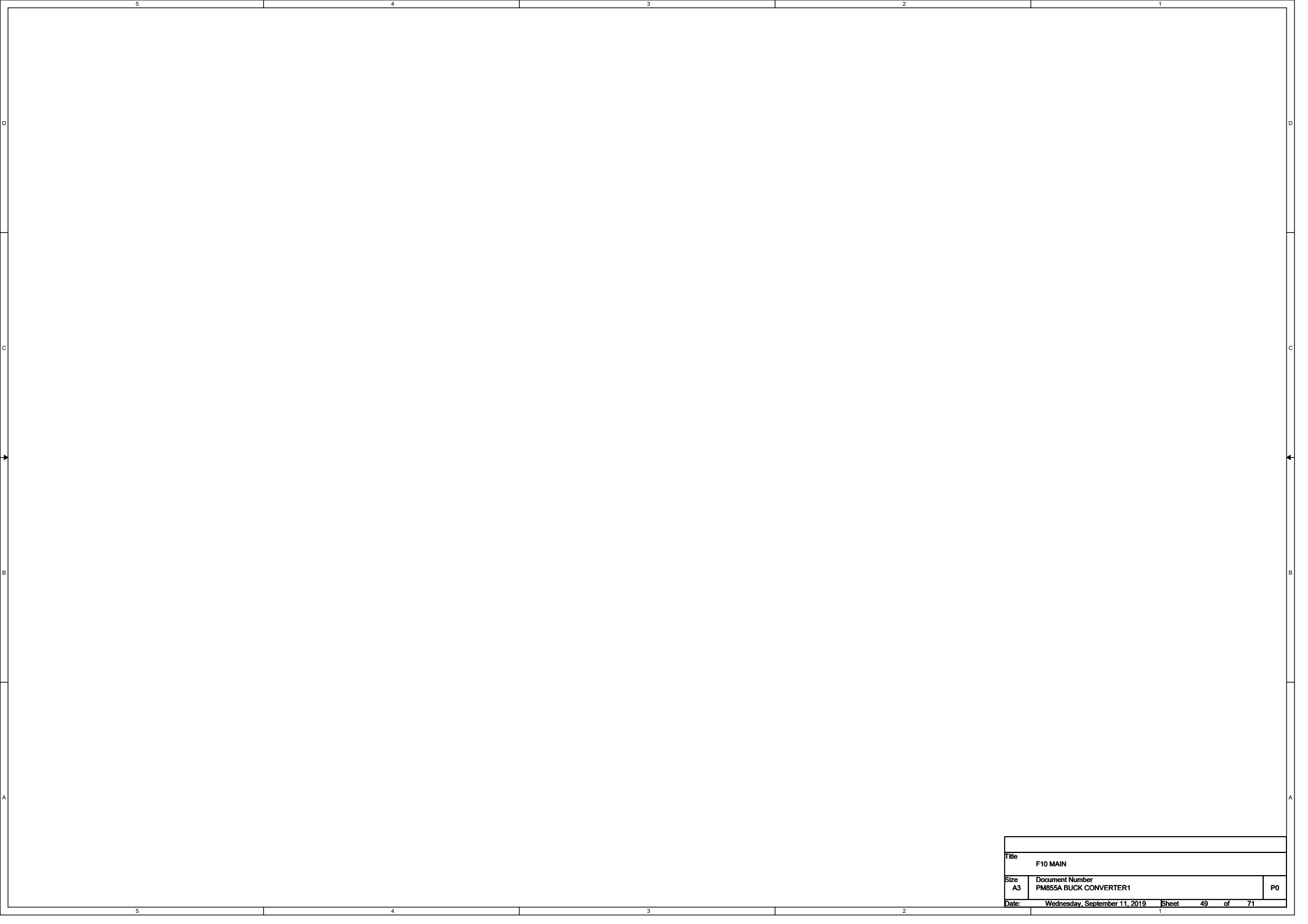


CAD NOTE: GND\_ADC via to Main ground should be as close as possible to PM7150A

CAD NOTE: REF\_GND via to main ground should be as close as possible to PMIC. REF\_BYP and REF\_GND should be routed away from noisy traces. DEDICATED CONNECTION TO MAIN GND PLANE

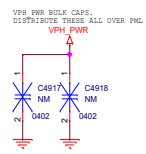
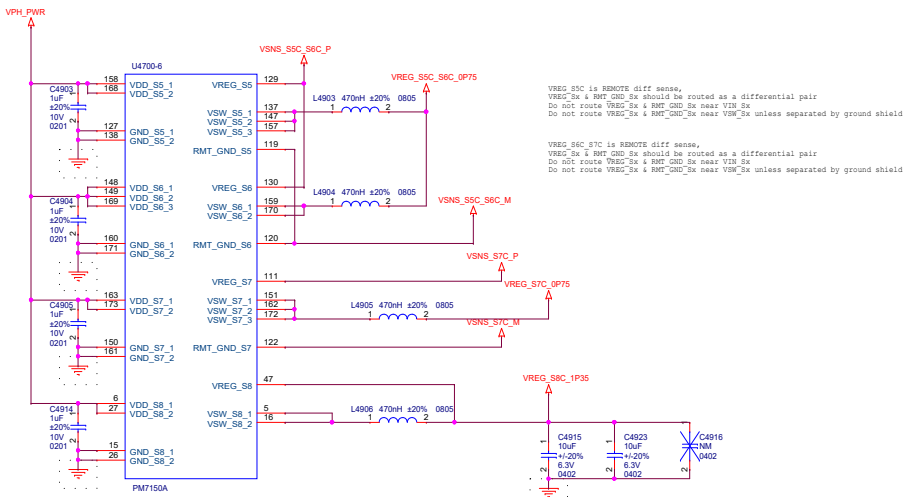
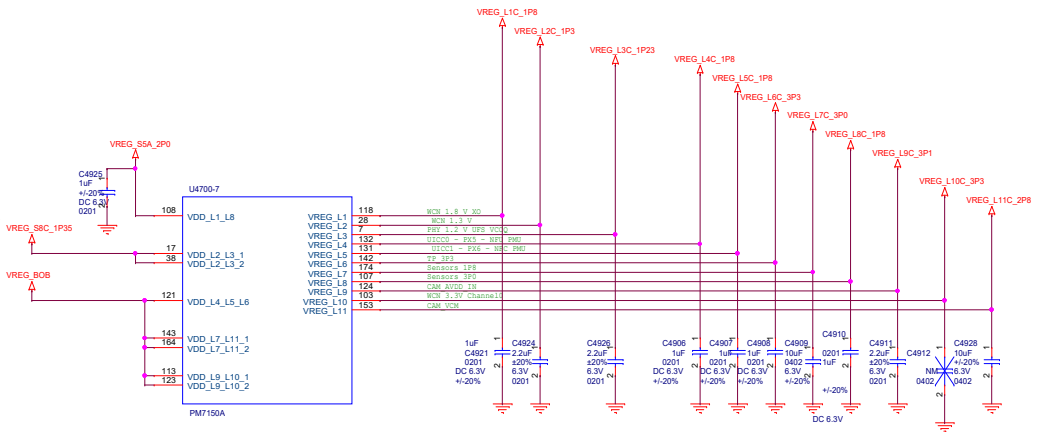
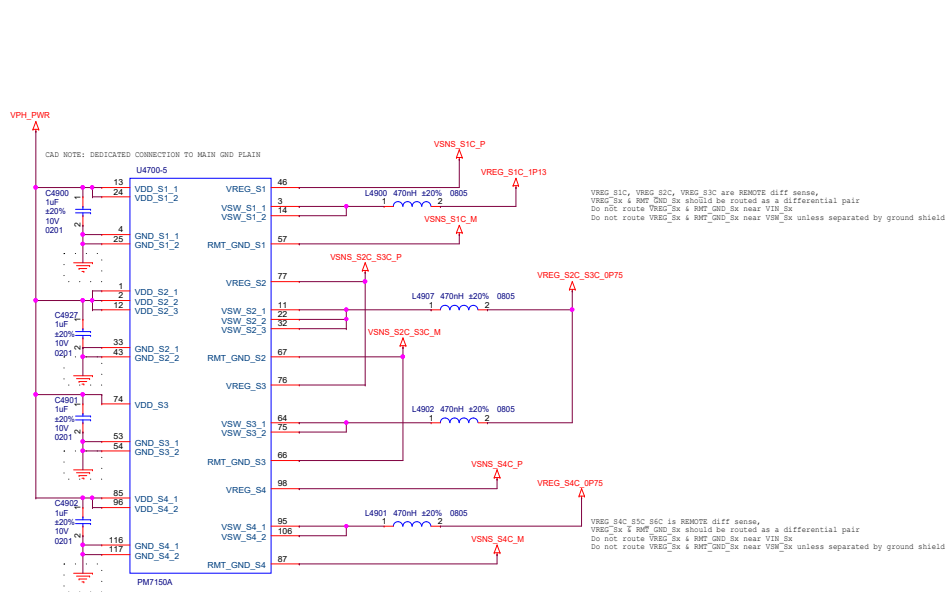
CAD NOTE: AVDD\_BYP should be routed away from noisy traces . DEDICATED CONNECTION TO MAIN GND PLANE

Title		F10 MAIN	
Size	A2	Document Number	PM7150A CTRL.SIGND
Date	Wednesday, September 11, 2019	Sheet	48 of 71

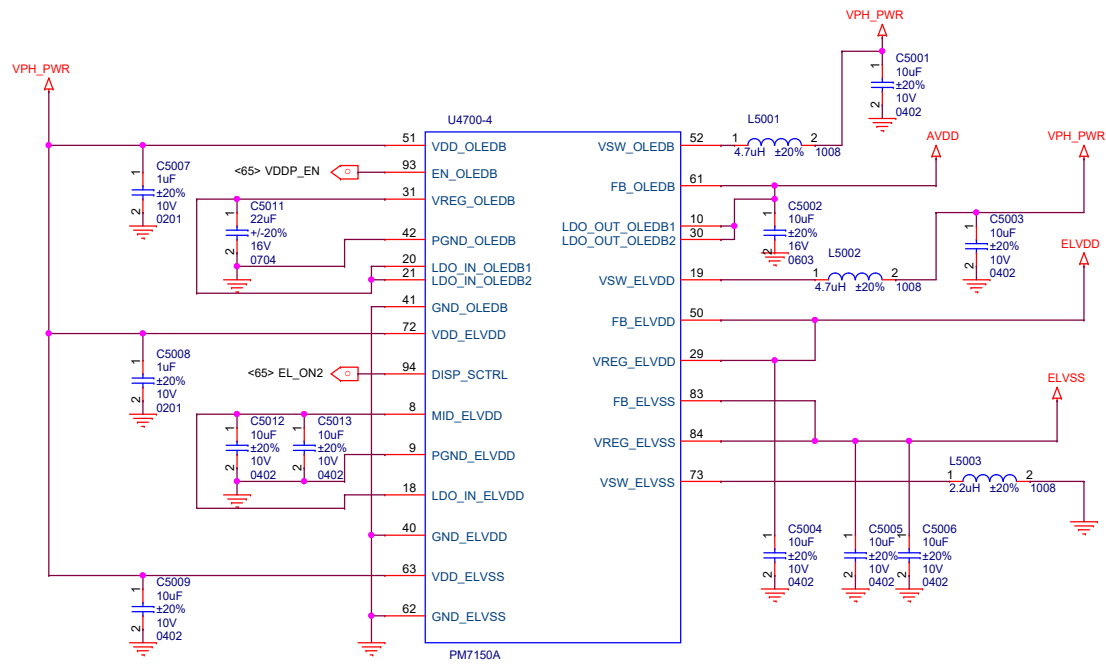


Title		
F10 MAIN		
Size	Document Number	P0
A3	PM855A BUCK CONVERTER1	
Date:	Wednesday, September 11, 2019	Sheet 49 of 71





File	F10 MAIN
Size	A2
Document Number	PM7150A DUCK CONVERTER2
Date	Wednesday, September 11, 2019
Sheet	



Title		F10 MAIN
Size	Document Number	PM855A AMOLED&BOB&FLASH
Date:	Wednesday, September 11, 2019	Sheet 51 71

5

4

3

2

1

D

D

C

C

B

B

A

A

Title		F10 MAIN	
Size	Document Number		
A4	PM855A LDOs		
Date:	Wednesday, September 11, 2019	Sheet	52 71

5

4

3

2

1

5

4

3

2

1

D

D

C

C

B

B

A

A

Title		F10 MAIN	
Size	Document Number		
A4	PM855B CTRL&GND		
Date:	Wednesday, September 11, 2019	Sheet	53
			71

5

4

3

2

1

5

4

3

2

1

D

D

C

C

B

B

A

A

Title	
F10 MAIN	
Size	Document Number
A4	PM855B HAPTIC
Date:	Wednesday, September 11, 2019
Sheet	54
	71

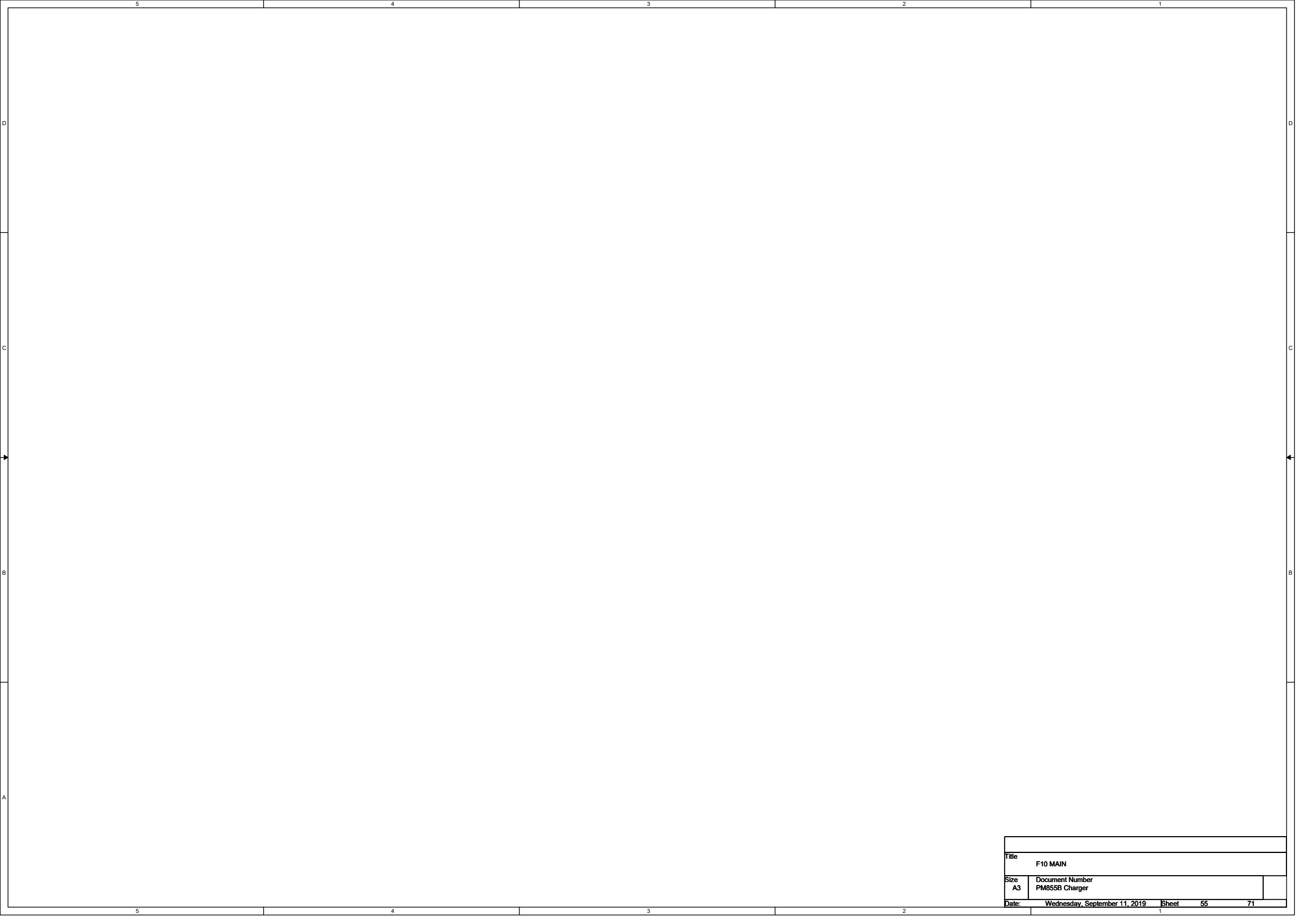
5

4

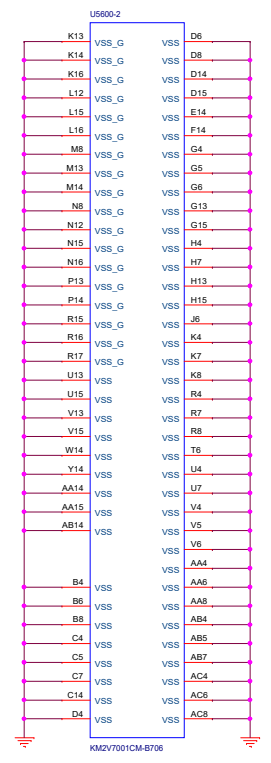
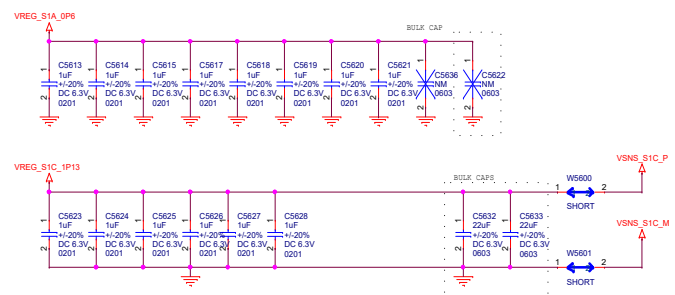
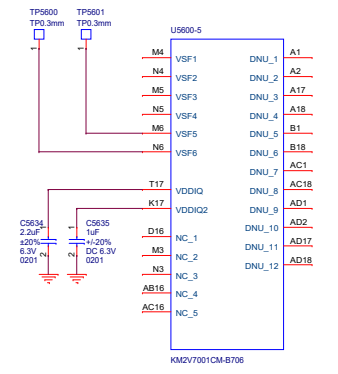
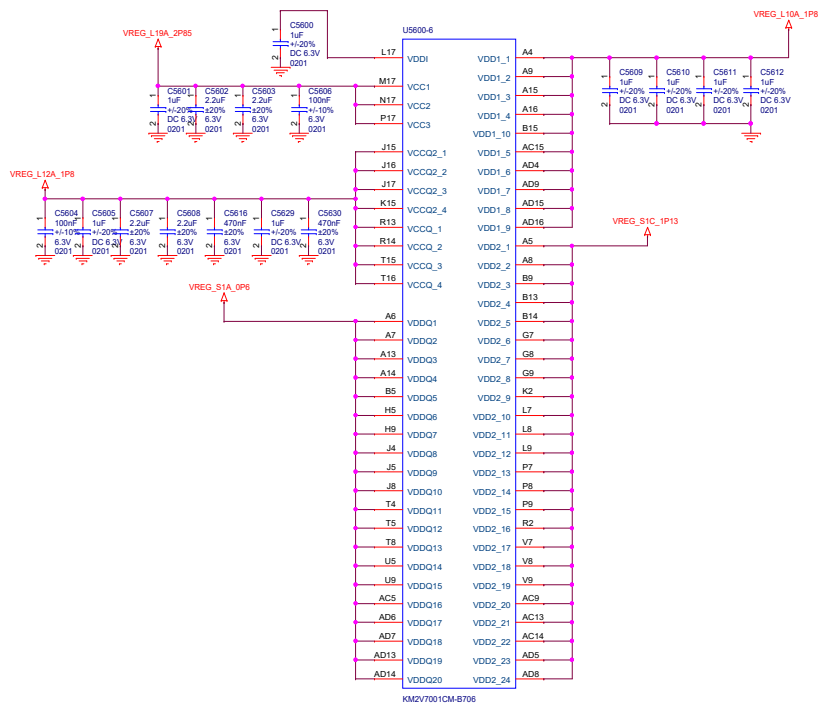
3

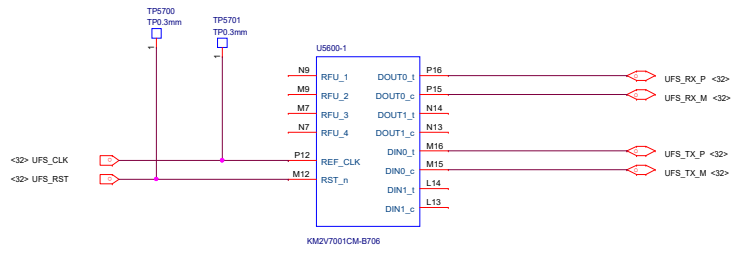
2

1

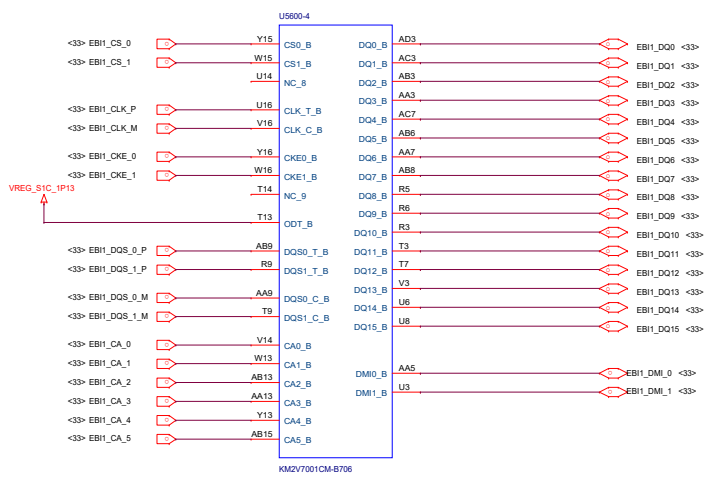
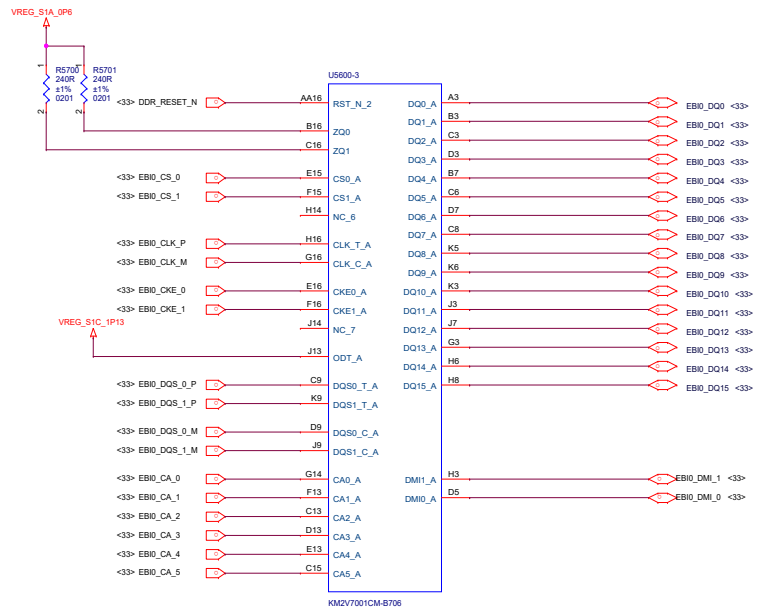


Title	
F10 MAIN	
Size	Document Number
A3	PM855B Charger
Date:	Wednesday, September 11, 2019
Sheet	55
	71

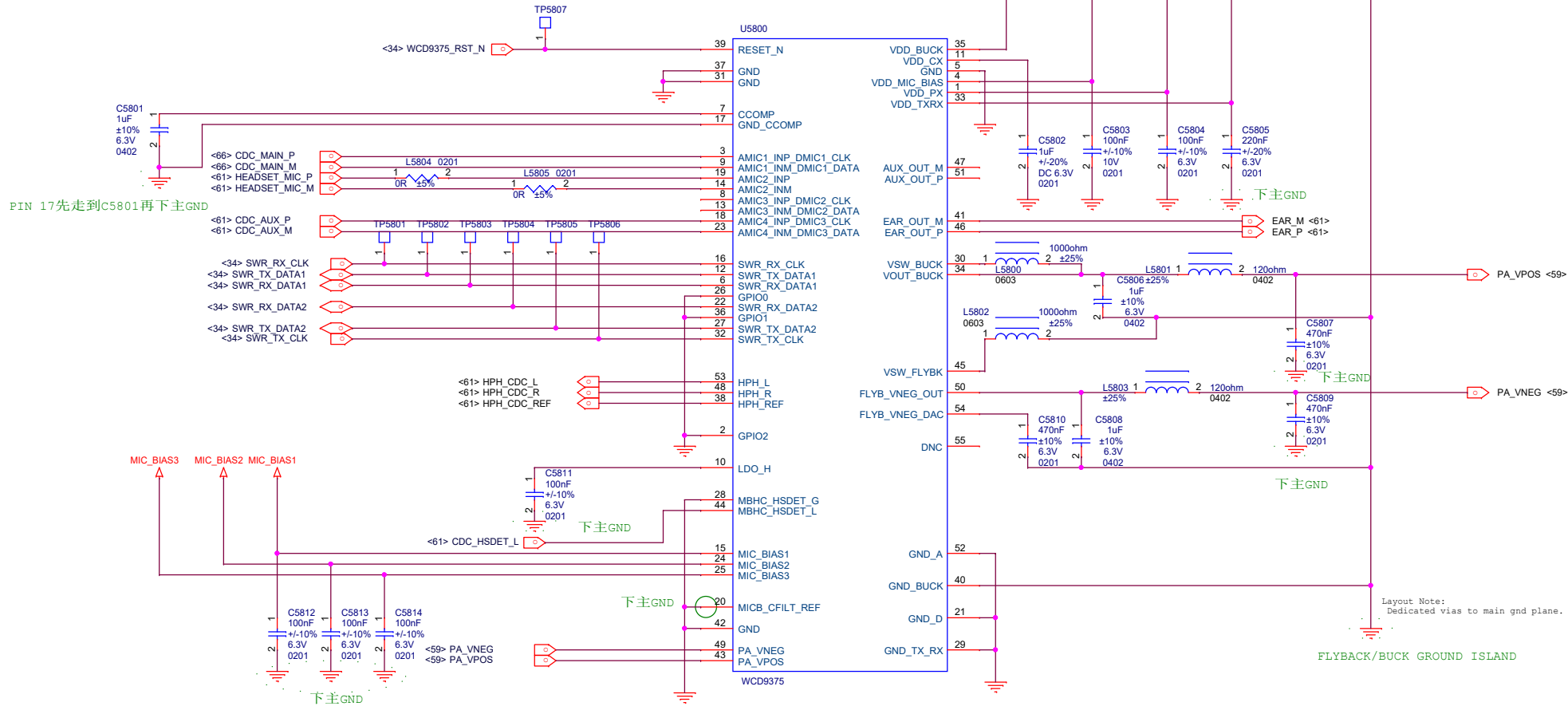




# LPDDR4 / 4x

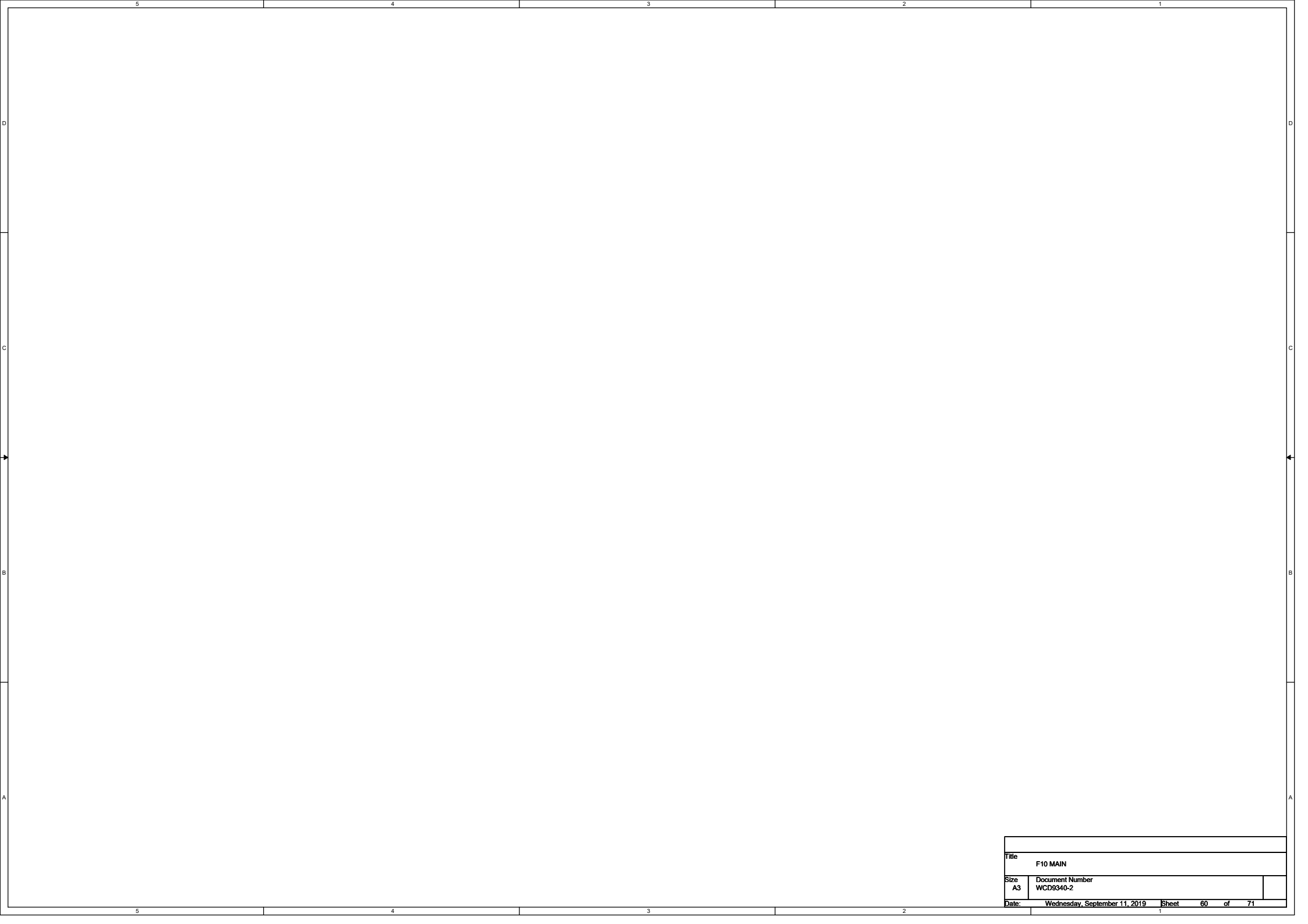




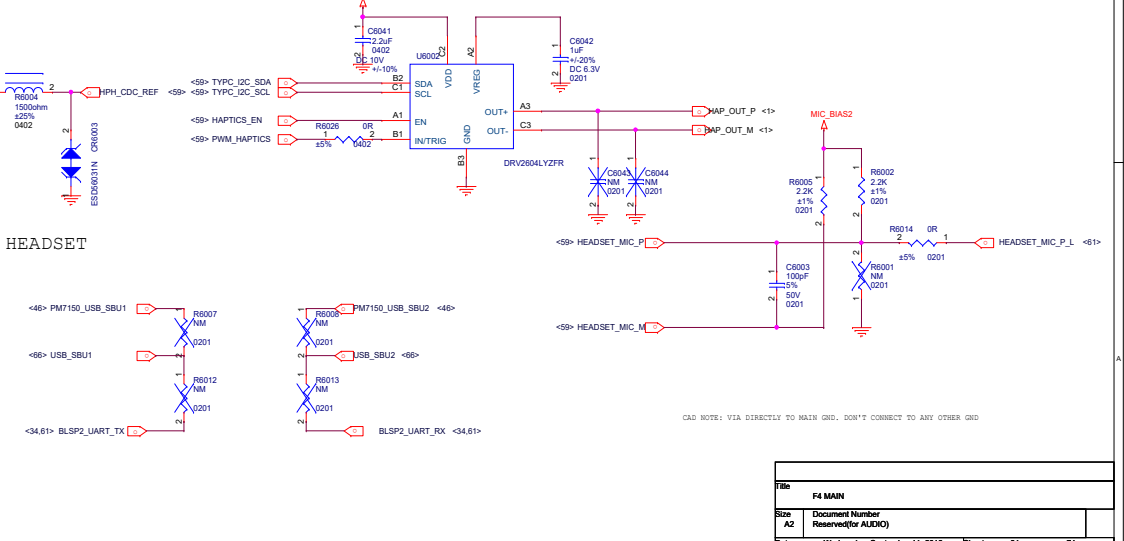
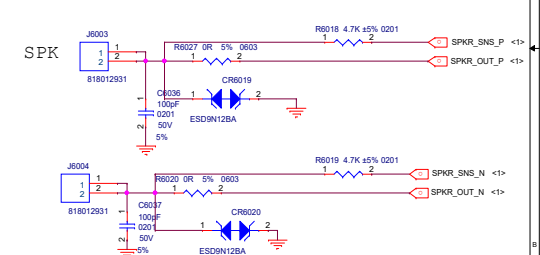
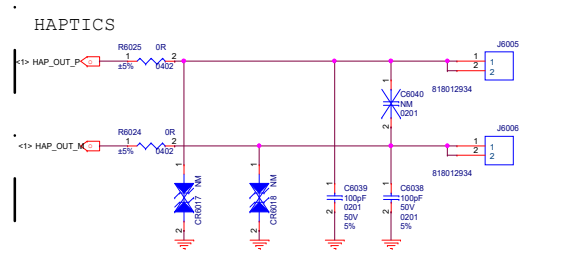
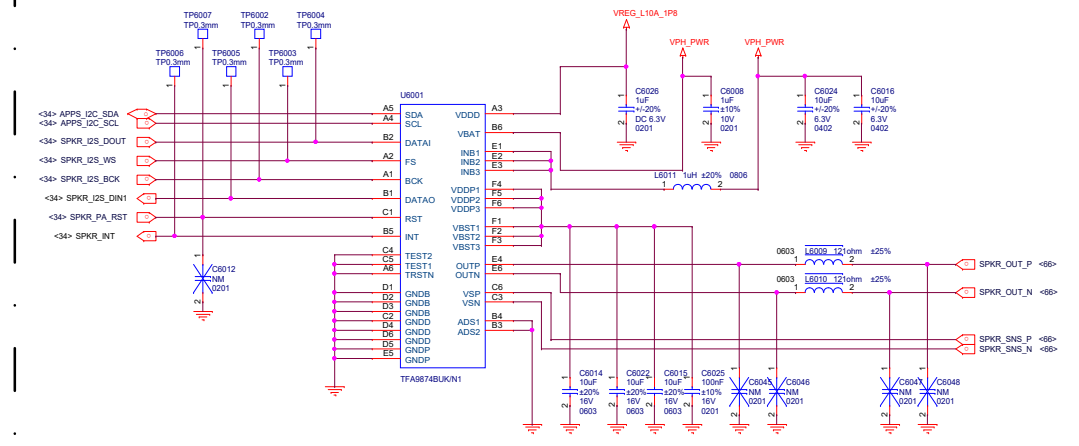
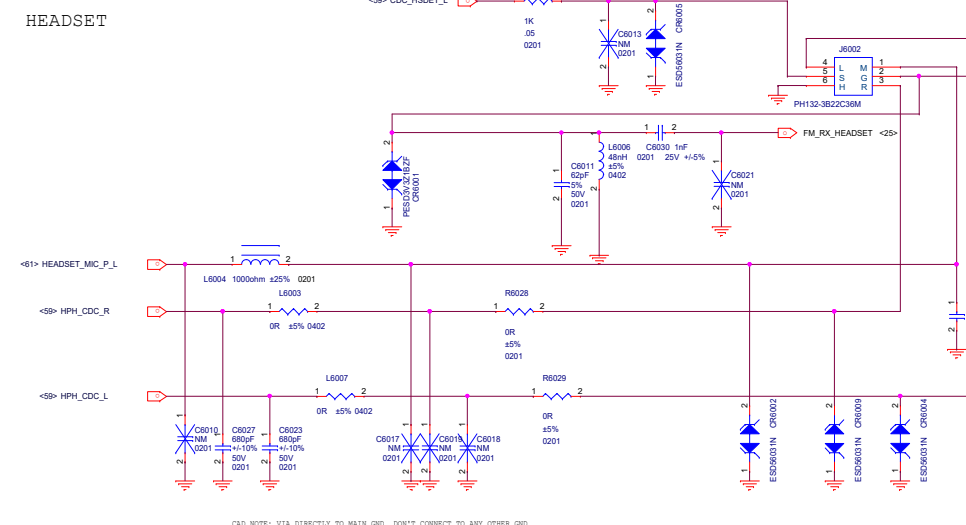
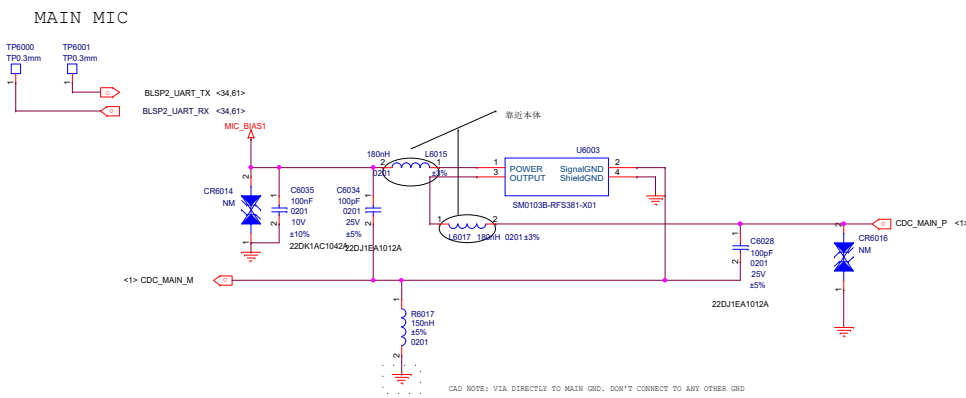


PIN 17先走到C5801再下主GND

Title		F10 MAIN
Size	A3	Document Number WCD9340-1
Date:	Wednesday, September 11, 2019	Sheet 59 71

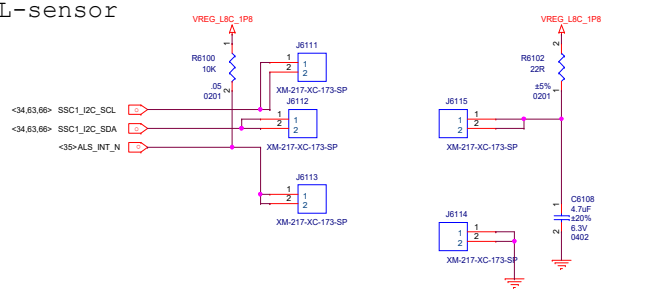


Title	
F10 MAIN	
Size	Document Number
A3	WCD9340-2
Date:	Wednesday, September 11, 2019 Sheet 60 of 71

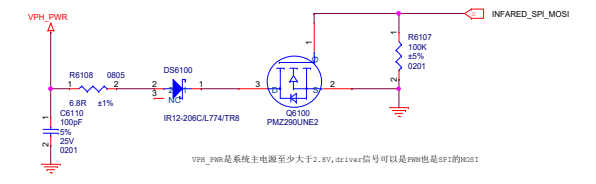


File	F4 MAIN
Size	Document Number Reserved (for AUDIO)
Date	Wednesday, September 11, 2019 Sheet 81 71

### L-sensor

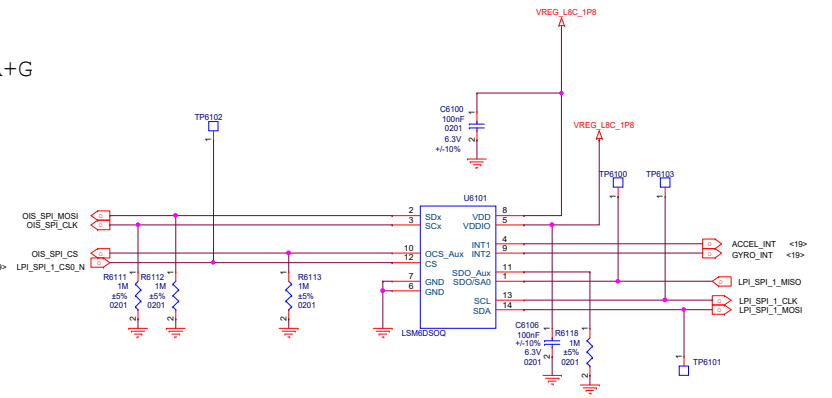


### INFARED

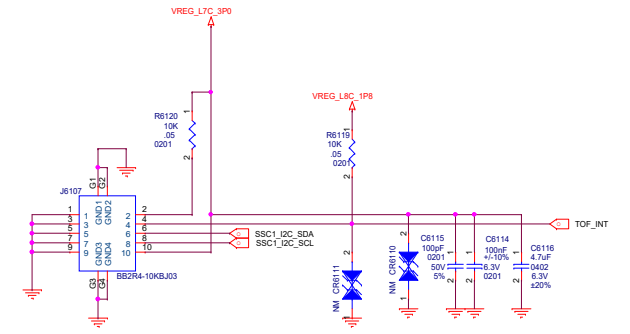


VPH\_PWR是系统主电源至少大于2.4V, driver信号可以是PWR也可以是SPI#mosi

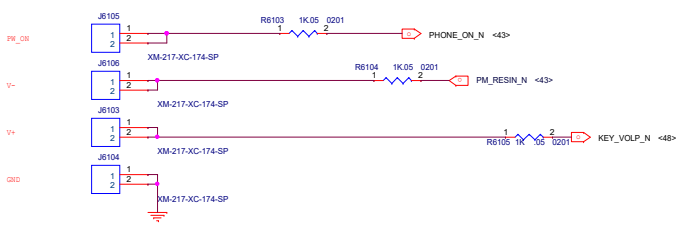
### A+G



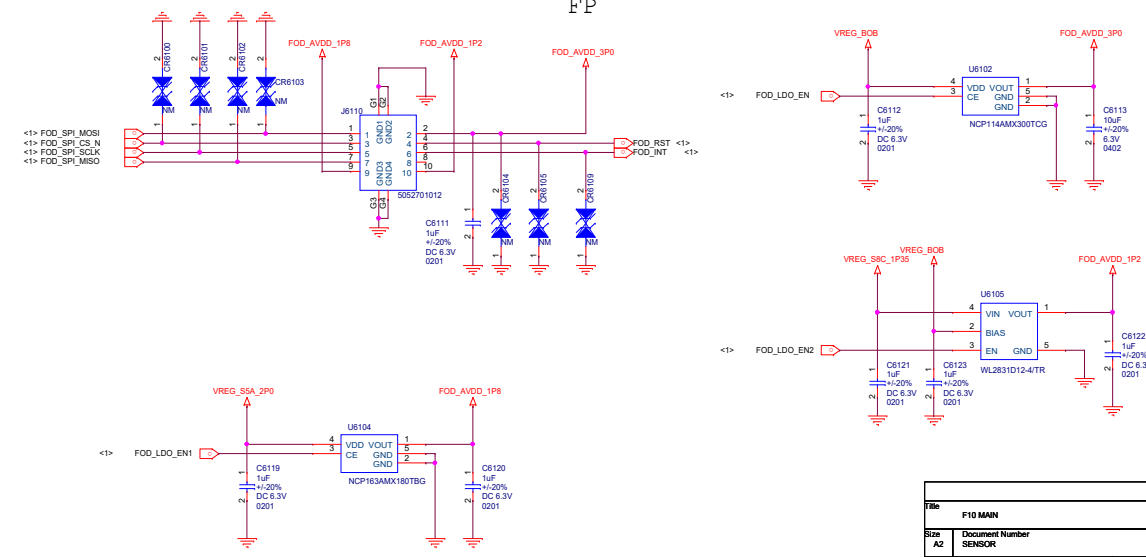
### TOF



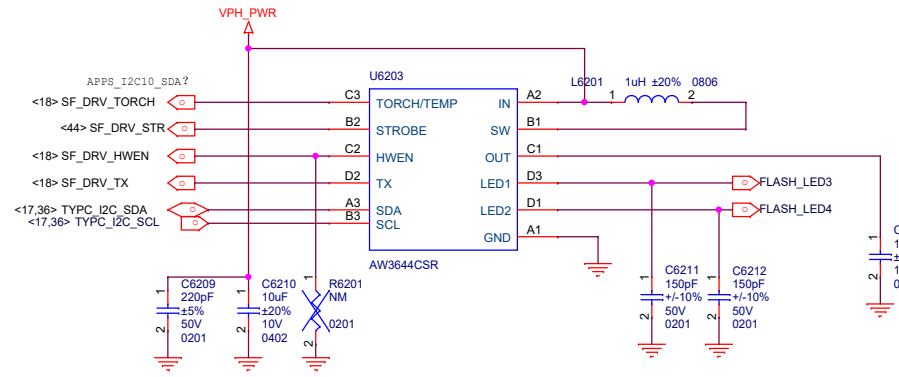
### Sidekey



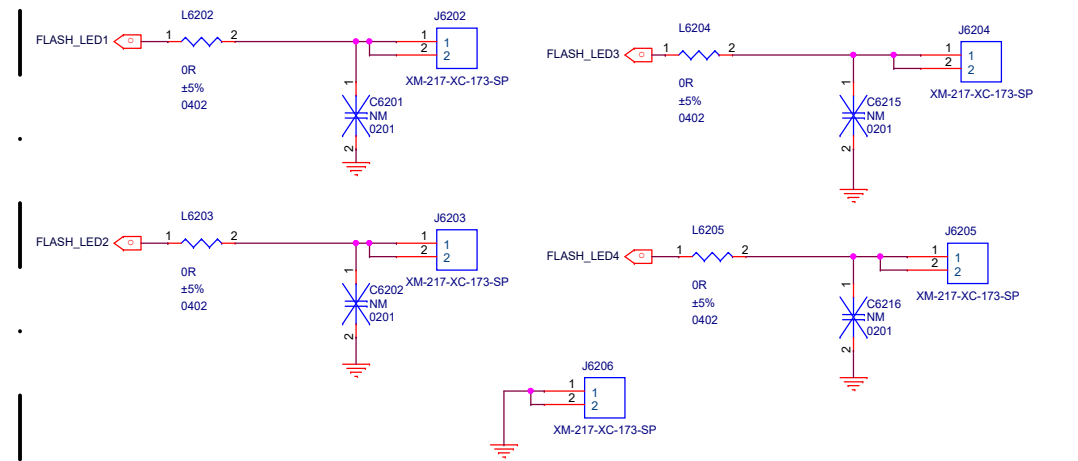
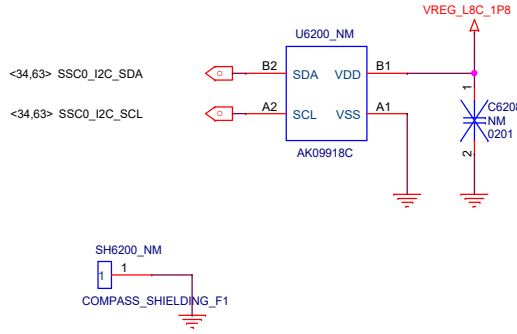
### FP



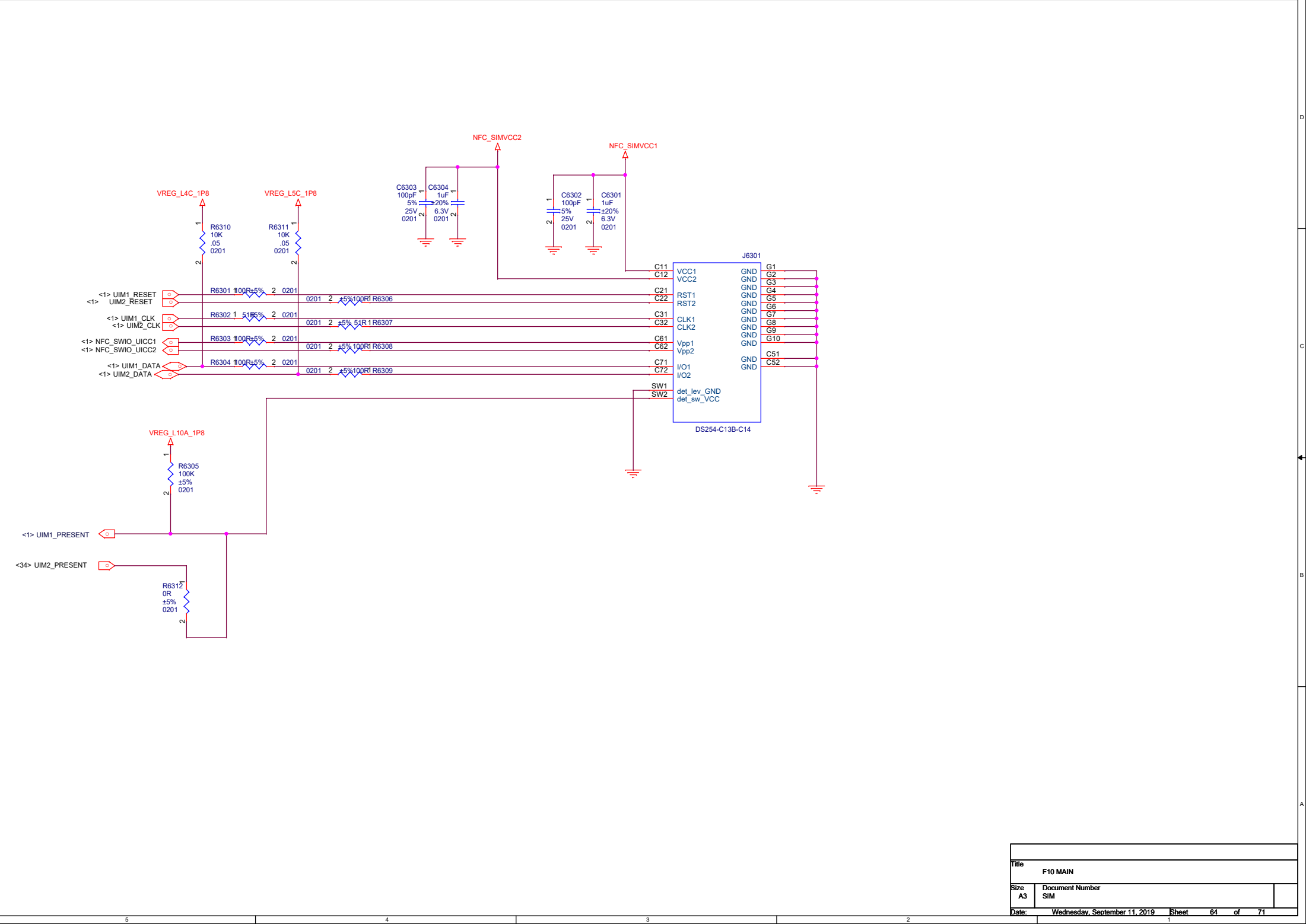
File	F10 MAIN
Size	Document Number
A2	SENSOR
Date:	Wednesday, September 11, 2019
Sheet	62
	71



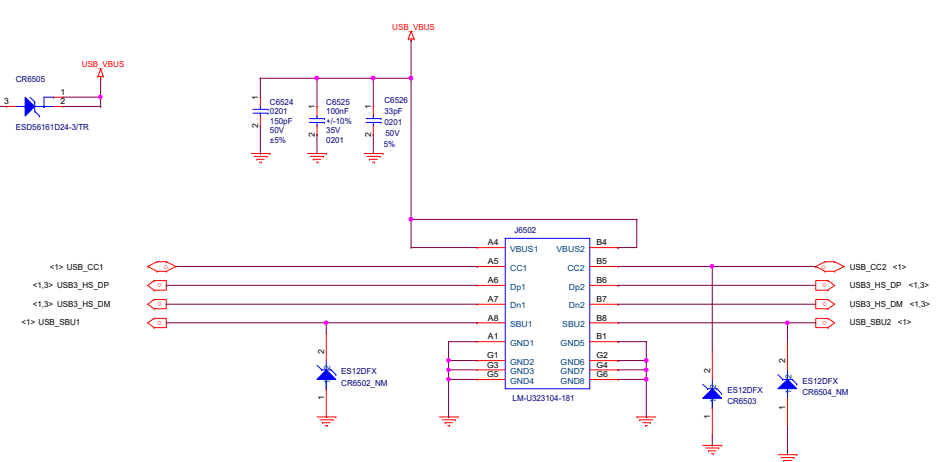
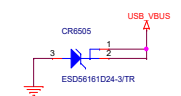
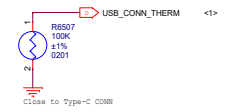
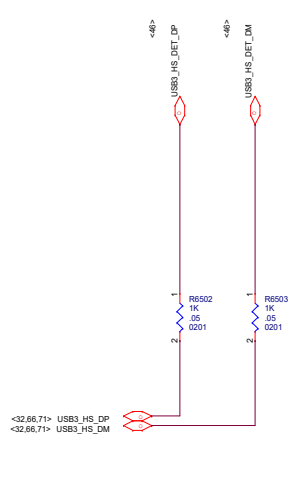
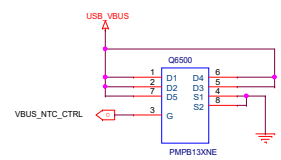
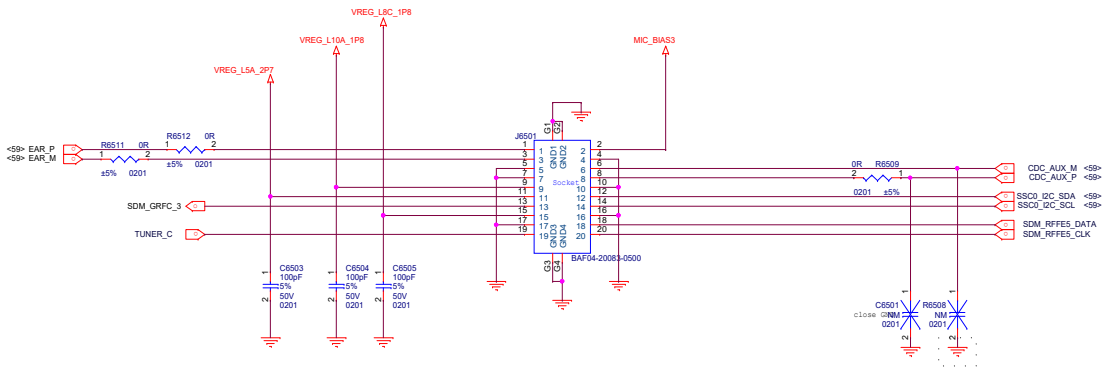
COMPASS



Title		F10 MAIN
Size	Document Number	SENSOR-2
A3	Date:	Wednesday, September 11, 2019
Sheet		63
Page		71

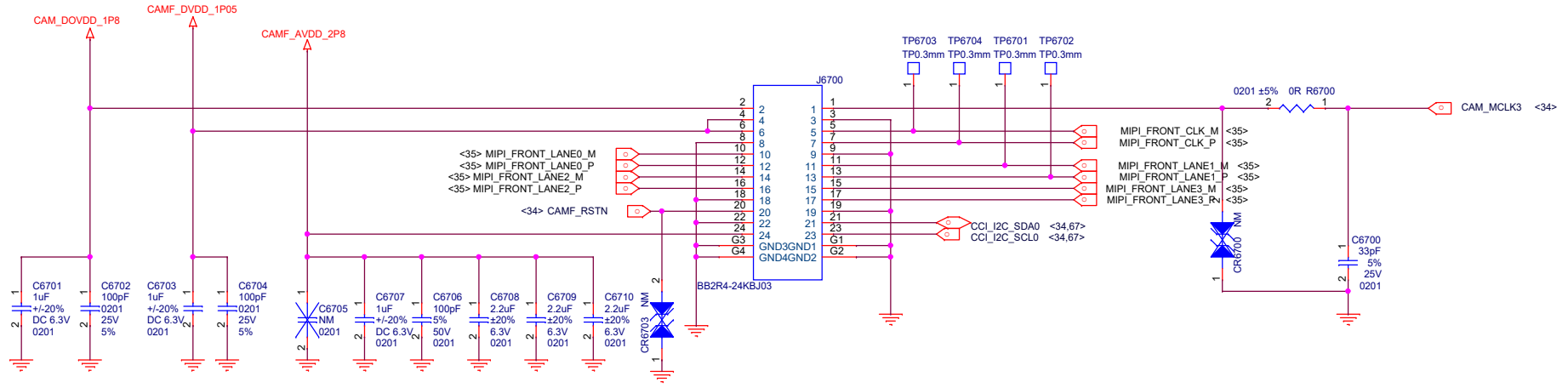


Title		F10 MAIN
Size	Document Number	
A3	SIM	
Date:	Wednesday, September 11, 2019	Sheet 64 of 71



File	F10 MAIN		
Size	A2	Document Number	0176
Date	Wednesday, September 11, 2019	Sheet	66 of 71

# FRONT CAMERA

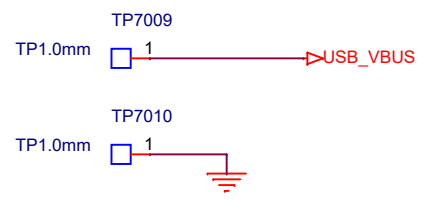
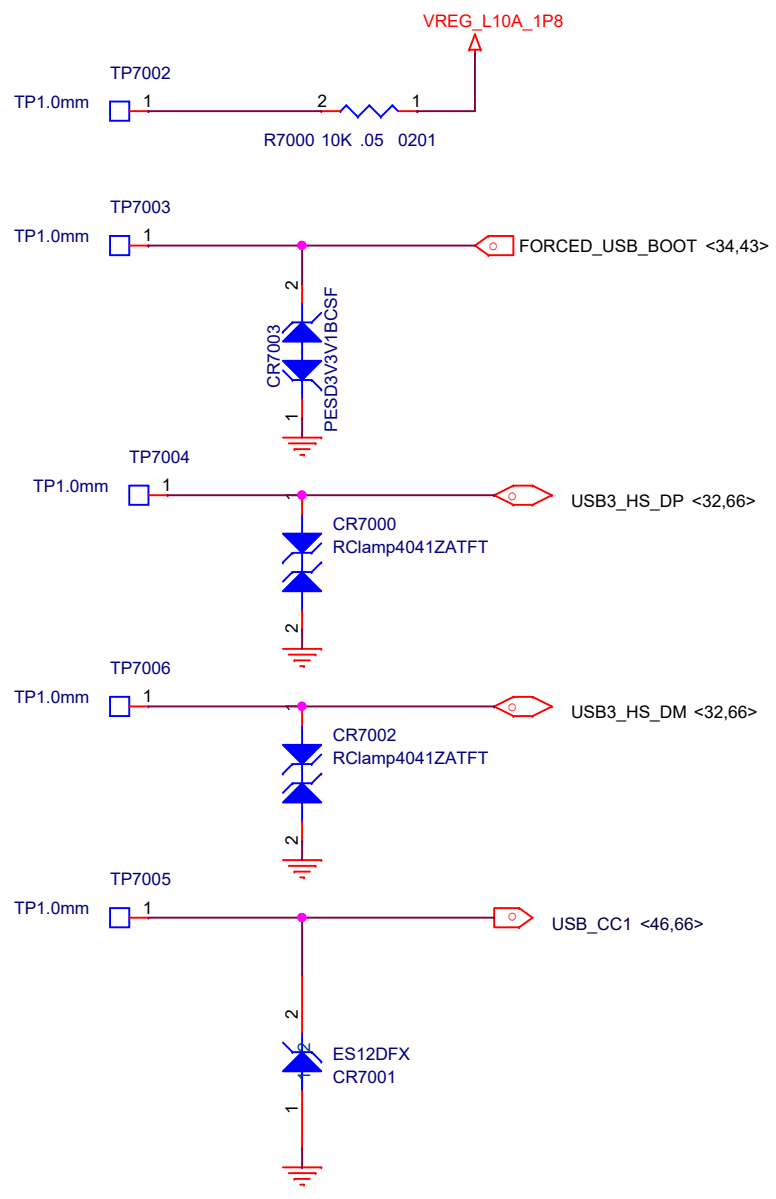
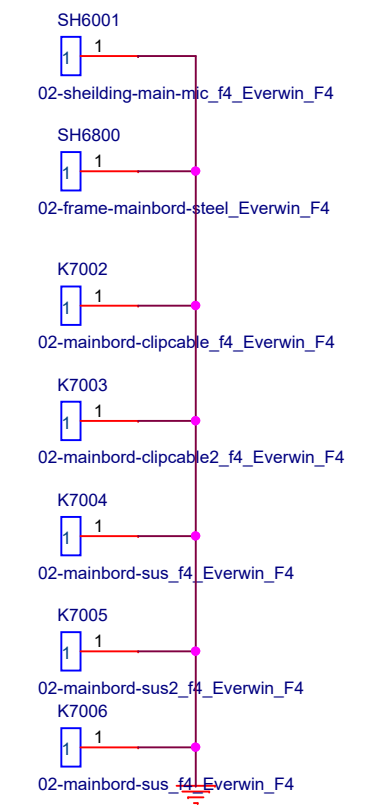
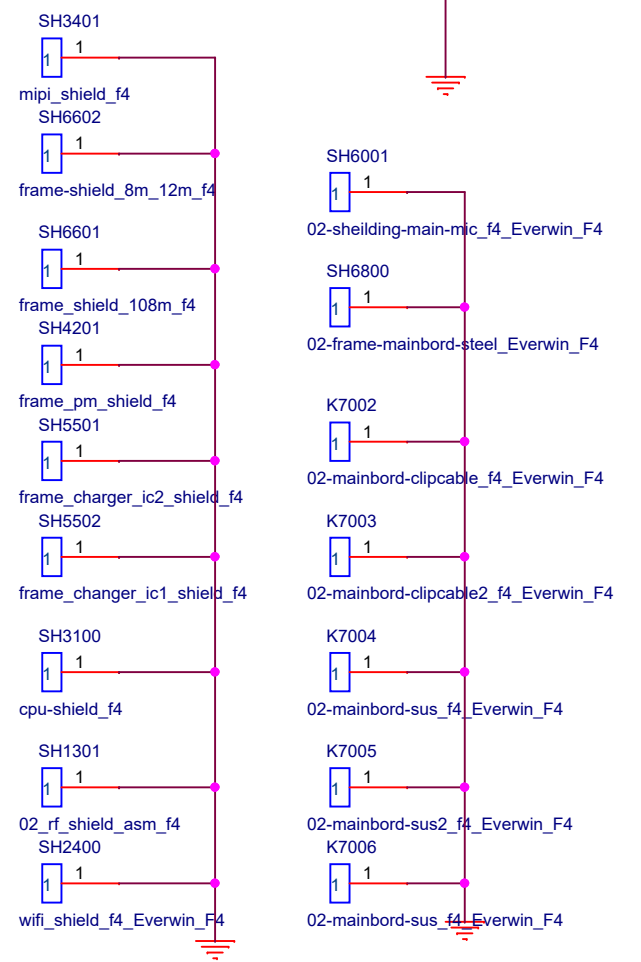
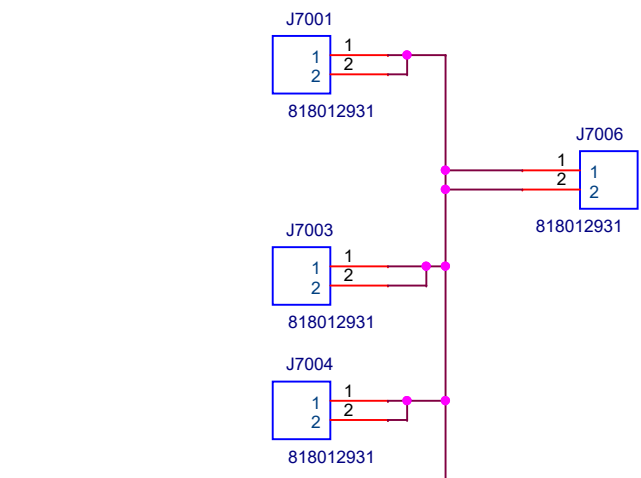


(VIETMOBILE.VN)

front  
 sensor I2C地址: 0x20/0x21, EEPROM I2C地址: 0xA2/0xA3

Title		F10 MAIN
Size	Document Number	Reserved(for Analog FM)
Date:		Wednesday, September 11, 2019
Sheet	68	71





Title		
F10 MAIN		
Size	Document Number	P0
A4	IR LED	
Date:	Wednesday, September 11, 2019	Sheet 71 of 71