

| | | | |
|---|---------|------------------|--------|
| 华勤通讯 Huaqin Telecom Technology Com.,Ltd | | | |
| Title | | 01.Block Diagram | |
| Size D | Project | QL5018_MB_V1 | Rev V1 |
| Date: Thursday, April 05, 2018 | | Sheet 1 of 42 | |

I2C Configuration Table

| I2C | Function | I2C Slave Address(7-bit mode) | |
|-----------|--------------------|---|--|
| BLSP2_I2C | eMCP DDC-1 | FAN53526 I2C Adress:0x60 (Write:0xC0 Read:0xC1) | |
| | eMCP DDC-2 | PM3003A I2C Adress:0x60 (Write:0xC0 Read:0xC1) | |
| | Smart PA | CS35L35 I2C Adress:0x40-ADR=0/0x41-ADR=1 (ADR=0 Write:0x80 Read:0x81) | |
| | HPUE | TPS61280 I2C Adress:0x75 (Write:0xEA Read:0xEB) | |
| | Sar Sensor | SX9310ICSTRT I2C Adress:0x28 (Write:0x60 Read:0x61) | |
| BLSP4_I2C | TP | GT917D I2C Adress:0x5D (Write:0xBA Read:0xBB) | |
| | | FT5X46 I2C Adress:0x?? (Write:0x?? Read:0x??) | |
| BLSP6_I2C | NFC | PN553 I2C Adress:0x28 (Write:0x50 Read:0x51) | |
| CCI_I2C1 | Dedicated Cam I2C1 | TBD I2C Adress:0x?? (Write:0x?? Read:0x??) | |
| CCI_I2C2 | Dedicated Cam I2C2 | TBD I2C Adress:0x?? (Write:0x?? Read:0x??) | |
| LPI_I2C | ALS&PS | TMD27253 I2C Adress:0x39 (Write:0x72 Read:0x73) | |
| | A+G | BM1160 SPI interface | |
| | eCompass | AK09918C I2C Adress:0x0C (Write:0x18 Read:0x19) | |

| | | | |
|---|--------------------------|----------------------------|---------|
| 华勤通讯 Huaqin Telecom Technology Com.,Ltd | | | |
| Title | | 02.I2C Configuration Table | |
| Size | Project | QL5018_MB_V1 | Rev |
| D | | | V1 |
| Date: | Thursday, April 05, 2018 | Sheet | 2 of 42 |

| Sheet | Content | Sheet | Content |
|-------|------------------------------|-------|------------------------|
| 01. | Block Diagram | 24. | AUDIO_MIC_RCV_SPK |
| 02. | I2C Configuration Table | 25. | AUDIO_HEADSET |
| 03. | Table of Content | 26. | SENSORS_MOTOR |
| 04. | GPIO MAP | 27. | LCD_TP |
| 05. | SDM630 Control/UFS/SDC1/SDC2 | 28. | REAR_CAM/FLASH |
| 06. | SDM630 LPDDR4 | 29. | FRONT_CAM/CAM_POWER |
| 07. | SDM630 CSI/DSI | 30. | SIM_SD_KEY_LINK_BATT |
| 08. | SDM630 GPIO (Internal Codec) | 31. | DTV |
| 09. | SDM630 Power (Core) | 32. | NFC |
| 10. | SDM630 Power (Other, LP4X) | 33. | PRIMARY ANTENNA |
| 11. | SDM630 Ground | 34. | PA & PA THERMAL |
| 12. | PM660 CLKs/Control_GND | 35. | TRX_LE |
| 13. | PM660 Buck Converter | 36. | TRX_MHB |
| 14. | PM660 LDO Circuits | 37. | DIVERSITY_ANT |
| 15. | PM660 Charger_FG | 38. | DRX_MB_HB |
| 16. | PM660L Control and Bob_Flash | 39. | DRX_LE |
| 17. | PM660L Buck and LDO | 40. | SDR660_MSS |
| 18. | PM660L CODEC | 41. | SDR660_PWR |
| 19. | PM660L Display | 42. | SDR660_DA/PRX/DRX/FBRX |
| 20. | eMCP | 43. | QFE410I |
| 21. | 30W CHARGE | 44. | WIFI_2.4G_5G & BT |
| 22. | Wipower | 45. | GPS |
| 23. | Test Points | 46. | WCN3980 |

| | | | |
|---|--------------------------|---------------------|---------|
| 华勤通讯 Huaqin Telecom Technology Com.,Ltd | | | |
| Title | | 03.Table of Content | |
| Size | Project | QL5018_MB_V1 | Rev |
| D | | | V1 |
| Date: | Thursday, April 05, 2018 | Sheet | 3 of 42 |

| SDM630 GPIO Configuration | | | | | |
|---------------------------|-------------------|---------|-------------------------|-------------|--|
| GPIO_0 | BLSF_SPT_MOSI_1 | GPIO_42 | NC | GPIO_84 | UIM2_CLK |
| GPIO_1 | BLSF_SPT_MISO_1 | GPIO_43 | NC | GPIO_85 | UIM2_RESET |
| GPIO_2 | BLSF_SPT_CSI_N_1 | GPIO_44 | NC | GPIO_86 | UIM2_PRESENT |
| GPIO_3 | BLSF_SPT_CLK_1 | GPIO_45 | NC | GPIO_87 | UIM1_DATA |
| GPIO_4 | BLSF_UART_TX_2 | GPIO_46 | CAM0_RST_N | GPIO_88 | UIM1_CLK |
| GPIO_5 | BLSF_UART_RX_2 | GPIO_47 | CAM1_RST_N | GPIO_89 | UIM1_RESET |
| GPIO_6 | BLSF_I2C_SDA_2 | GPIO_48 | CAM2_RST_N | GPIO_90 | UIM1_PRESENT |
| GPIO_7 | BLSF_I2C_SCL_2 | GPIO_49 | NC | GPIO_91 | UIM_BATT_ALARM |
| GPIO_8 | BLSF_SPT_MOSI_3 | GPIO_50 | CAM_AF_VDD_EN | GPIO_92 | NC |
| GPIO_9 | BLSF_SPT_MISO_3 | GPIO_51 | CAM_AVDD_EN | GPIO_93 | NC |
| GPIO_10 | BLSF_SPT_CS_N_3 | GPIO_52 | NC | GPIO_94 | NC |
| GPIO_11 | BLSF_SPT_CLK_3 | GPIO_53 | LCD0_RESET_N | GPIO_95 | NC |
| GPIO_12 | NC | GPIO_54 | SD_CARD_DET_N | GPIO_96 | WDOG_DISABLE |
| GPIO_13 | KEYPAD_LED_PWM | GPIO_55 | DP_EN_N | GPIO_97 | NC |
| GPIO_14 | BLSF_I2C_SDA_4 | GPIO_56 | USBC_ORIENTATION | GPIO_98 | NC |
| GPIO_15 | BLSF_I2C_SCL_4 | GPIO_57 | FORCED_USB_BOOT | GPIO_99 | QLINK_REQUEST |
| GPIO_16 | BLSF_UART_TX_5 | GPIO_58 | USB_PHY_FS | GPIO_100 | QLINK_ENABLE |
| GPIO_17 | BLSF_UART_RX_5 | GPIO_59 | MDF_VSYNC_P | GPIO_101 | HPFE1_DATA - SDM660 debug |
| GPIO_18 | BLSF_UART_CTS_N_5 | GPIO_60 | NC | GPIO_102 | HPFE1_CLK - SDM660 debug |
| GPIO_19 | BLSF_UART_RFR_N_5 | GPIO_61 | NC | GPIO_103 | HPFE2_DATA - (41)QAT3533 |
| GPIO_20 | FF_SUB_RESET | GPIO_62 | NC | GPIO_104 | HPFE2_CLK - (41)QAT3533 |
| GPIO_21 | SMB_STAT | GPIO_63 | NC | GPIO_105 | NC |
| GPIO_22 | BLSF_I2C_SDA_6 | GPIO_64 | NC | GPIO_106 | NC |
| GPIO_23 | BLSF_I2C_SCL_6 | GPIO_65 | NC | GPIO_107 | HPFE4_DATA-(45)QW8574,(48)RPI6568R |
| GPIO_24 | CDC_SWR_CLK | GPIO_66 | TS_RESET_N | GPIO_108 | HPFE4_CLK - (45)QW8574,(48)RPI6568R |
| GPIO_25 | CDC_SWR_DATA | GPIO_67 | TS_INT_N | GPIO_109 | HPFE5_DATA-(52)QAT3514, (52)QAT3550,(47) QAT3522 |
| GPIO_26 | MSA_SPKR_SD_N_1 | GPIO_68 | ACC_GYRO_DATA_AVA_INT_N | GPIO_110 | HPFE5_CLK-(52)QAT3514, (52)QAT3550,(47)QAT3522 |
| GPIO_27 | NC | GPIO_69 | ACC_GYRO_MOT_INT_N | GPIO_111 | HPFE6_DATA - (46)QRT4101 ch0, (41)QPA4361 |
| GPIO_28 | NFC_IRQ | GPIO_70 | MAG_INT_N | GPIO_112 | HPFE6_CLK - (46)QRT4101 ch0, (41)QPA4361 |
| GPIO_29 | NFC_EN | GPIO_71 | ALSIF_INT_N | GPIO_113 | NC |
| GPIO_30 | NFC_EWL_REQ | GPIO_72 | FF_INT_N_1 | LPI_GPIO_0 | LPI_SFI_1_CSI_N |
| GPIO_31 | NFC_ESE_PWR_REQ | GPIO_73 | NC | LPI_GPIO_1 | LPI_PWR_EN |
| GPIO_32 | CAM_MCLK0 | GPIO_74 | NC | LPI_GPIO_2 | LPI_I2C_3_SDA |
| GPIO_33 | CAM_MCLK1 | GPIO_75 | NC | LPI_GPIO_3 | LPI_I2C_3_SCL |
| GPIO_34 | CAM_MCLK2 | GPIO_76 | NC | LPI_GPIO_4 | LPI_SFI_2_CS_N |
| GPIO_35 | NC | GPIO_77 | AUDIO_USBC_EN2_N | LPI_GPIO_5 | LPI_SFI_2_CLK |
| GPIO_36 | CCI_I2C_SDA0 | GPIO_78 | WMSS_RESETN | LPI_GPIO_6 | LPI_SFI_2_MOSI |
| GPIO_37 | CCI_I2C_SCL0 | GPIO_79 | PMW_CNTRL | LPI_GPIO_7 | LPI_SFI_2_MISO |
| GPIO_38 | CCI_I2C_SDA1 | GPIO_80 | AUDIO_USBC_EN1 | LPI_GPIO_8 | LPI_SFI_1_CS_N |
| GPIO_39 | CCI_I2C_SCL1 | GPIO_81 | MSS_LTE_C0XM_TXD | LPI_GPIO_9 | LPI_SFI_1_CLK |
| GPIO_40 | NC | GPIO_82 | MSS_LTE_C0XM_RXD | LPI_GPIO_10 | LPI_SFI_1_MOSI |
| GPIO_41 | PL_STROBE_TRIG | GPIO_83 | UIM2_DATA | LPI_GPIO_11 | LPI_SFI_1_MISO |

| | |
|-------------|------------------|
| LPI_GPIO_12 | LPI_UART_1_TX |
| LPI_GPIO_13 | LPI_UART_1_RX |
| LPI_GPIO_14 | NC |
| LPI_GPIO_15 | NC |
| LPI_GPIO_16 | NC |
| LPI_GPIO_17 | NC |
| LPI_GPIO_18 | CDC_FDM_CLK |
| LPI_GPIO_19 | CDC_FDM_SYNC |
| LPI_GPIO_20 | CDC_FDM_TX |
| LPI_GPIO_21 | CDC_FDM_RX0 |
| LPI_GPIO_22 | CDC_FDM_RX0_COMP |
| LPI_GPIO_23 | CDC_FDM_RX1 |
| LPI_GPIO_24 | CDC_FDM_RX1_COMP |
| LPI_GPIO_25 | CDC_FDM_RX2 |
| LPI_GPIO_26 | CDC_SMIC_CLK1 |
| LPI_GPIO_27 | CDC_SMIC_DATA1 |
| LPI_GPIO_28 | CDC_SMIC_CLK2 |
| LPI_GPIO_29 | CDC_SMIC_DATA2 |
| LPI_GPIO_30 | LPI_QCA_SB_CLK |
| LPI_GPIO_31 | LPI_QCA_SB_DATA0 |

| PM660 GPIO Configuration | | | |
|--------------------------|----------------|---------|-------------------|
| GPIO_1 | OPTION1 | GPIO_8 | SLB |
| GPIO_2 | DIV_CLK2 | GPIO_9 | wUSB_TYPERC |
| GPIO_3 | NC | GPIO_10 | WCSS_VCTRL |
| GPIO_4 | NFC_CLK_REQ | GPIO_11 | HOMEKEY_FF_PM_INT |
| GPIO_5 | WLAN_SW_CTRL | GPIO_12 | WIPWR_MODE |
| GPIO_6 | SLP_CLK | GPIO_13 | PM_A_GPIO_13 |
| GPIO_7 | UIM_BATT_ALARM | | |

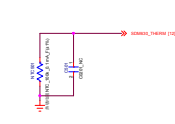
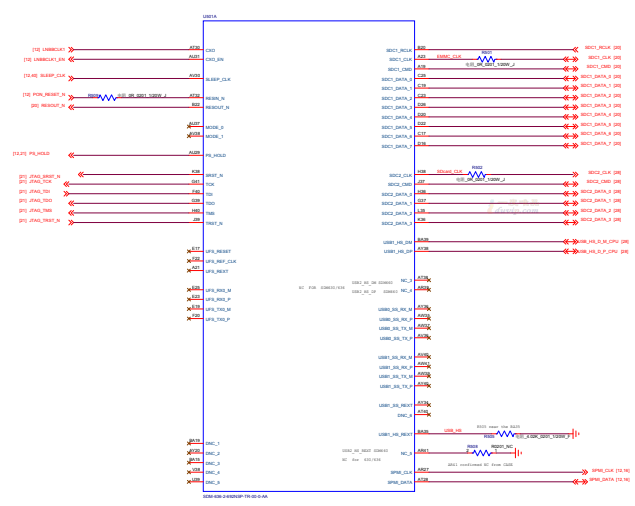
| PM660A GPIO Configuration | | | |
|---------------------------|-------------------|---------|---------------|
| GPIO_1 | OPTION2 | GPIO_8 | SD_CARD_DET_N |
| GPIO_2 | LPI_PWR_EN | GPIO_9 | WCSS_VCTRL |
| GPIO_3 | FRONT_CAM_DVDD_EN | GPIO_10 | SLB |
| GPIO_4 | REAR_CAM_DVDD_EN | GPIO_11 | LF4x_CTRL |
| GPIO_5 | NC | GPIO_12 | LF4x_MODE |
| GPIO_6 | FF_VDD_EN | | |
| GPIO_7 | KEY_VOL_UP_N | | |

华勤通讯 Huaqin Telecom Technology Com., Ltd

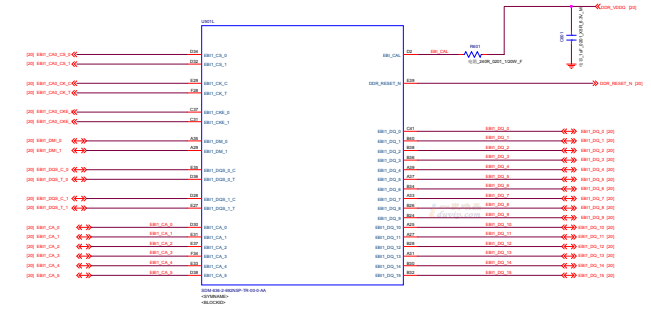
Title: 04.GPIO Map

| | | |
|--------|--------------|-----|
| Size D | Project | Rev |
| | QL5018_MB_V1 | v1 |

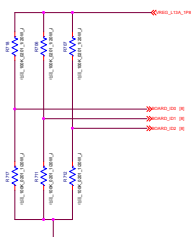
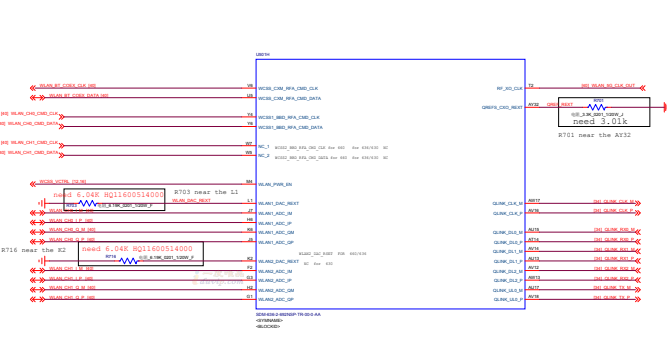
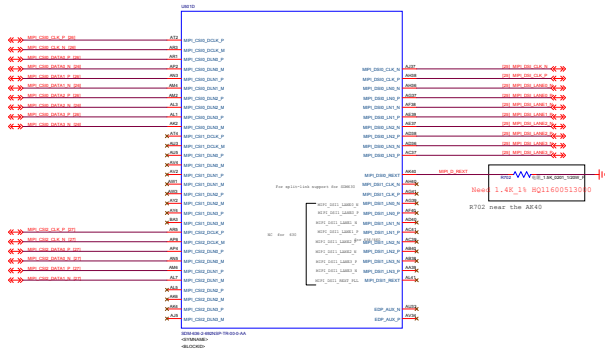
Date: Thursday, April 05, 2018 Sheet 4 of 42



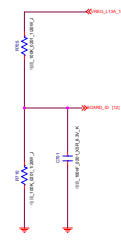
| | | |
|--|----------------------|--------|
| 华勤通讯 Huaqin Telecom Technology Com., Ltd | | |
| Title 05.SDM630 Control/UFS/SDC1/SDC2 | | |
| Size D | Project QL5018_MB_V1 | Rev v1 |
| Date: Thursday, April 05, 2018 | Sheet 5 of 42 | |



| | | | |
|---|--------------------------|-------------------|---------|
| 华勤通讯 Huaqin Telecom Technology Com.,Ltd | | | |
| Title | | 06.SDM630 LPDDR4X | |
| Size | Project | QL5018_MB_V1 | Rev |
| D | | | V1 |
| Date: | Thursday, April 05, 2018 | Sheet | 6 of 42 |



| 阶段 | EVT0 | EVT1 | DVT1 | DVT2 | PVT | MP |
|-----------|------|------|------|------|-----|----|
| BOARD_ID0 | 0 | 1 | 0 | 0 | 1 | 0 |
| BOARD_ID1 | 0 | 0 | 1 | 0 | 0 | 1 |
| BOARD_ID2 | 0 | 0 | 0 | 1 | 1 | 1 |



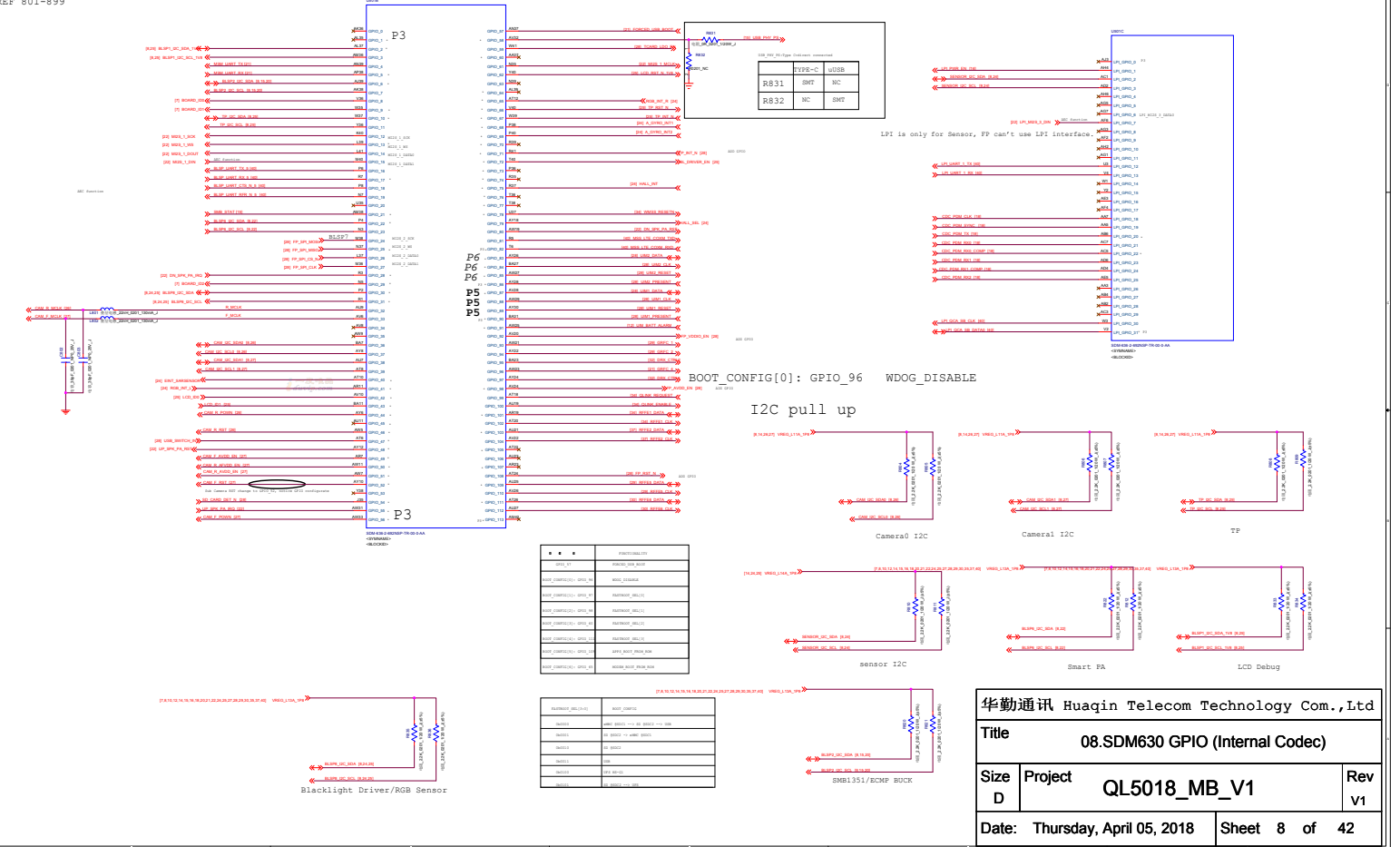
| 频段 | 国内版 | 一般国际版 |
|-----------|--------|--------|
| ADC value | 1.224V | 0.576V |
| R705 | 47K | 100K |
| R710 | 100K | 47K |

华勤通讯 Huaqin Telecom Technology Com., Ltd

Title: 07.SDM630 CSI/DSI

| | | |
|--------|----------------------|--------|
| Size D | Project QL5018_MB_V1 | Rev V1 |
|--------|----------------------|--------|

Date: Thursday, April 05, 2018 Sheet 7 of 42

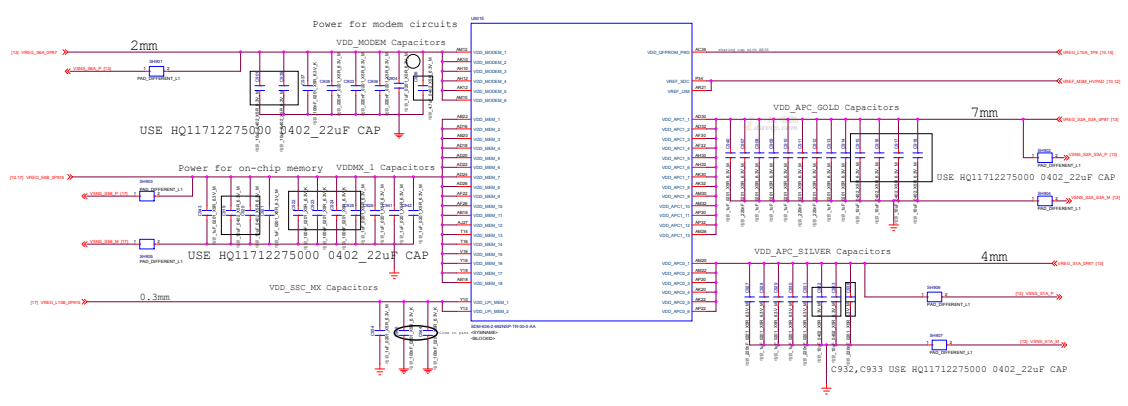


华勤通讯 Huaqin Telecom Technology Com., Ltd

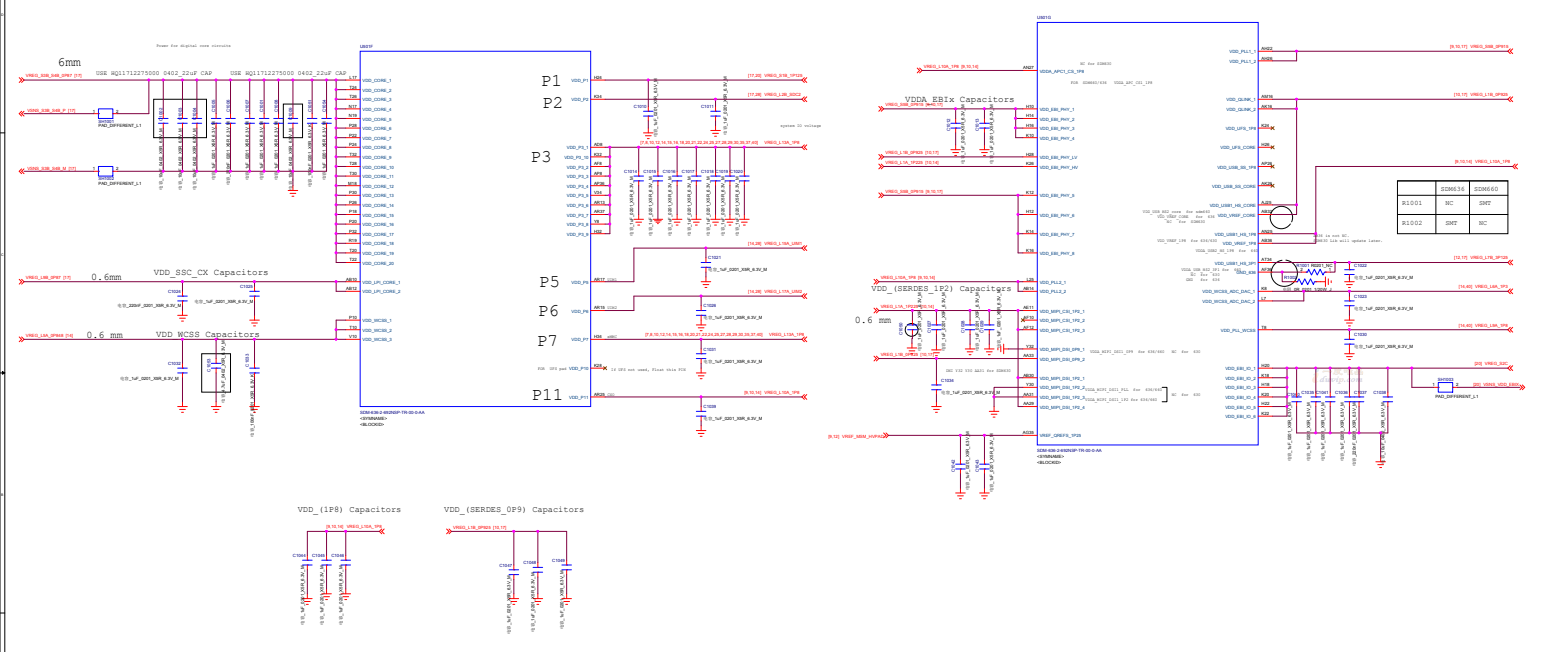
Title: 08.SDM630 GPIO (Internal Codec)

| | | |
|--------|----------------------|--------|
| Size D | Project QL5018_MB_V1 | Rev V1 |
|--------|----------------------|--------|

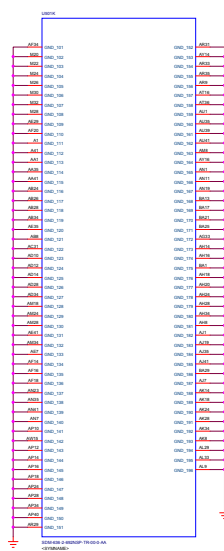
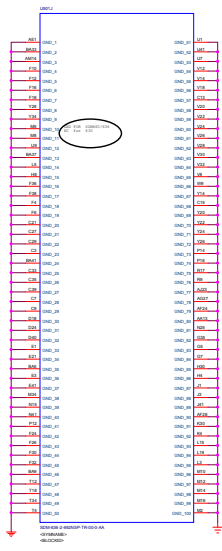
Date: Thursday, April 05, 2018 Sheet 8 of 42



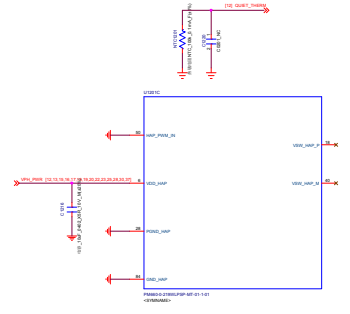
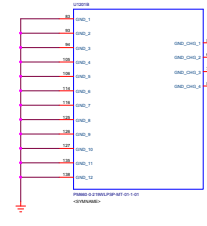
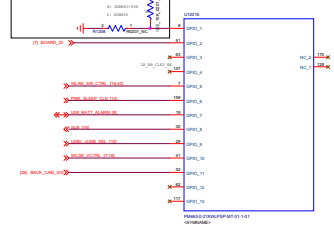
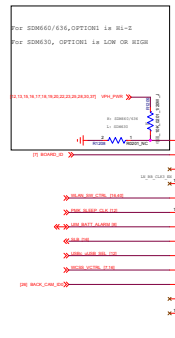
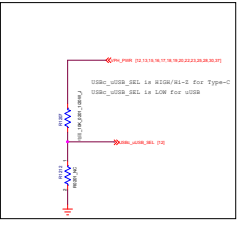
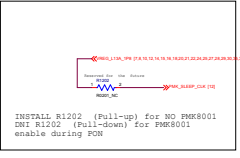
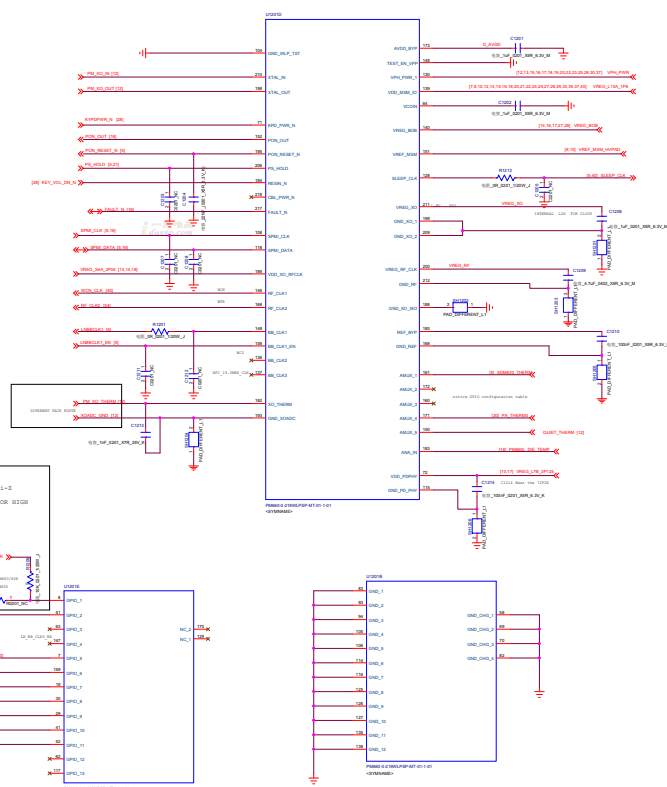
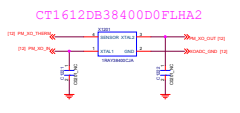
| | | | |
|--|---------|------------------------|--------|
| 华勤通讯 Huaqin Telecom Technology Com., Ltd | | | |
| Title | | 09.SDM630 Power (Core) | |
| Size D | Project | QL5018_MB_V1 | Rev v1 |
| Date: Thursday, April 05, 2018 | | Sheet 9 of 42 | |



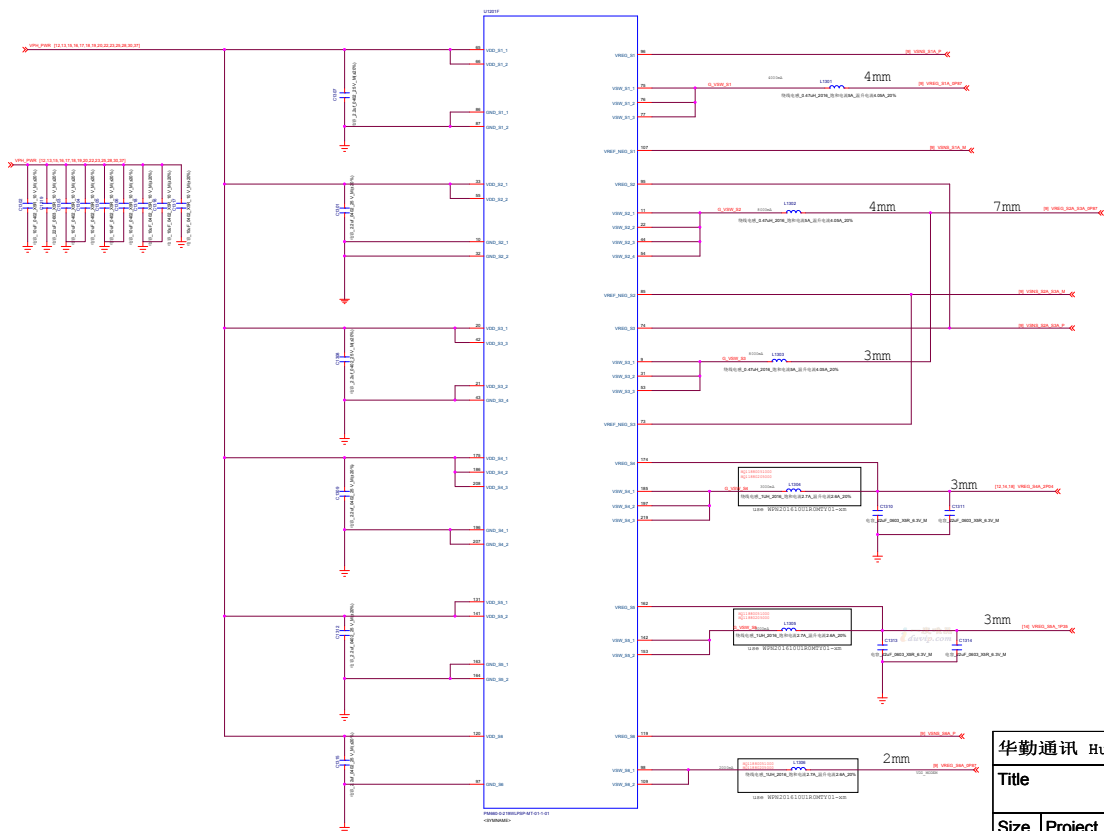
| | | | |
|--|----------------------|--------|--|
| 华勤通讯 Huaqin Telecom Technology Com., Ltd | | | |
| Title 10.SDM630 Power (Other, LP4X) | | | |
| Size D | Project QL5018_MB_V1 | Rev V1 | |
| Date: Thursday, April 05, 2018 | Sheet 10 of 42 | | |



| | | |
|--|--------------------------|------------------|
| 华勤通讯 Huaqin Telecom Technology Com., Ltd | | |
| Title | | 11.SDM630 Ground |
| Size D | Project | Rev |
| | QL5018_MB_V1 | v1 |
| Date: | Thursday, April 05, 2018 | Sheet 11 of 42 |

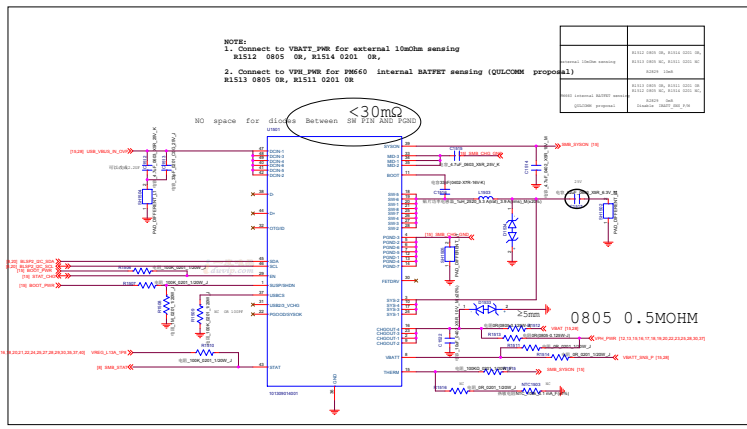
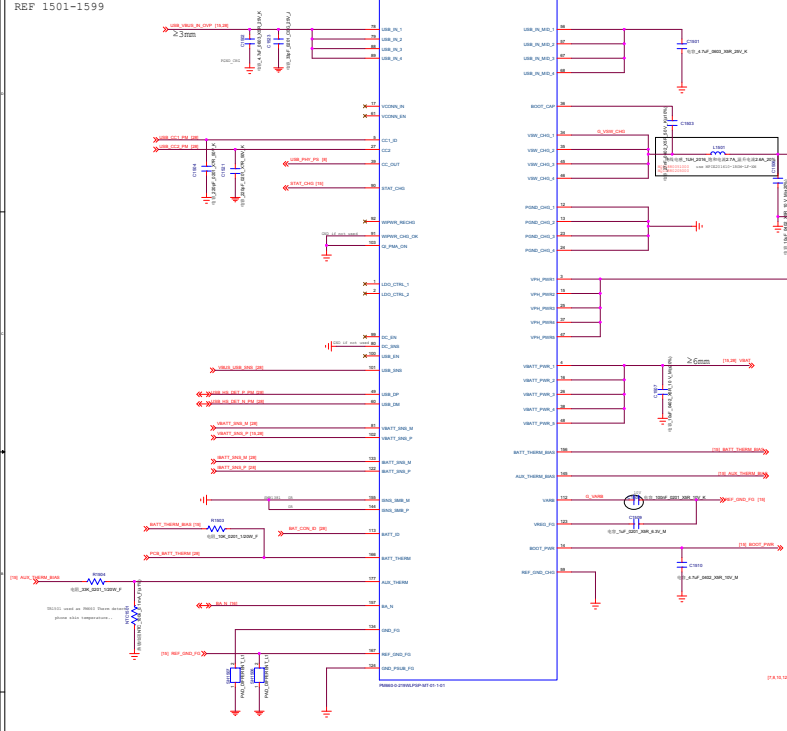


| | | | |
|--|--------------------------|---------------------------|----------|
| 华勤通讯 Huaqin Telecom Technology Com., Ltd | | | |
| Title | | 12.PM660 CLKs/Control_GND | |
| Size D | Project | QL5018_MB_V1 | Rev v1 |
| Date: | Thursday, April 05, 2018 | Sheet | 12 of 42 |



| | | | |
|--|--------------------------|-------------------------|----------|
| 华勤通讯 Huaqin Telecom Technology Com., Ltd | | | |
| Title | | 13.PM660 Buck Converter | |
| Size D | Project | QL5018_MB_V1 | Rev v1 |
| Date: | Thursday, April 05, 2018 | Sheet | 13 of 42 |

TYPE-C USB2.0 NC BECAUSE NO E-Marker

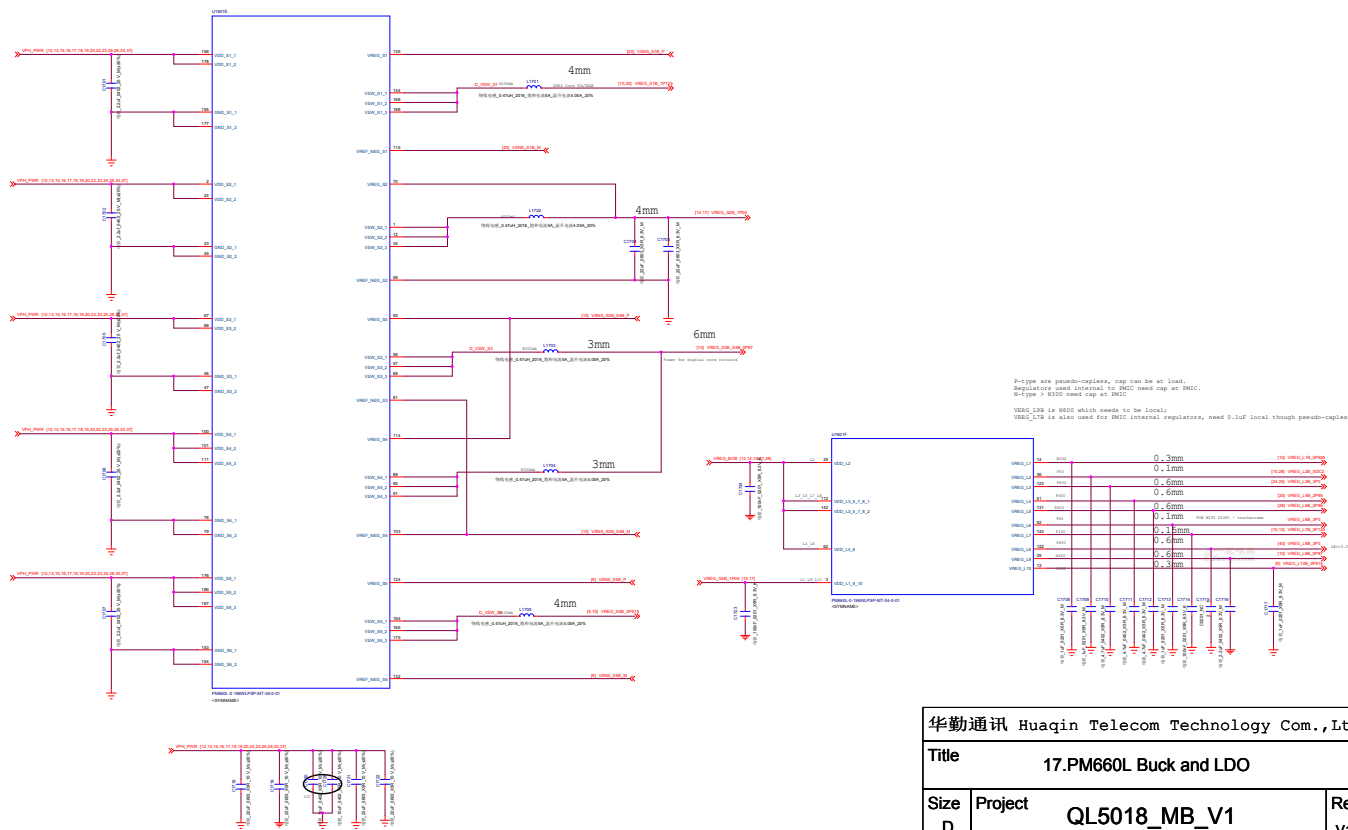


华勤通讯 Huaqin Telecom Technology Com., Ltd

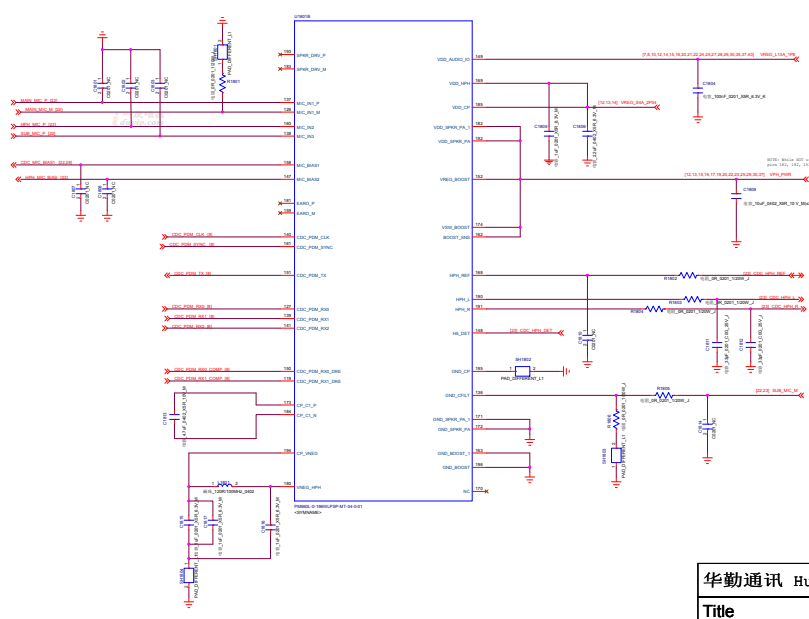
Title 15.PM660 Charger_FG_Paralle_Chg

| | | |
|--------|----------------------|--------|
| Size D | Project QL5018_MB_V1 | Rev v1 |
|--------|----------------------|--------|

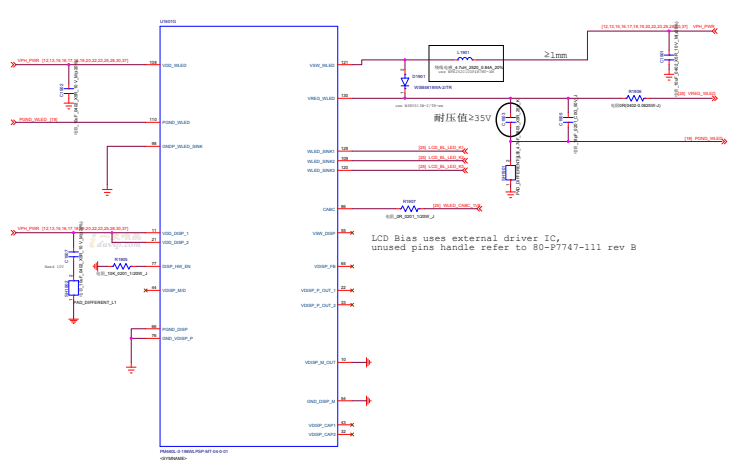
Date: Thursday, April 05, 2018 Sheet 15 of 42



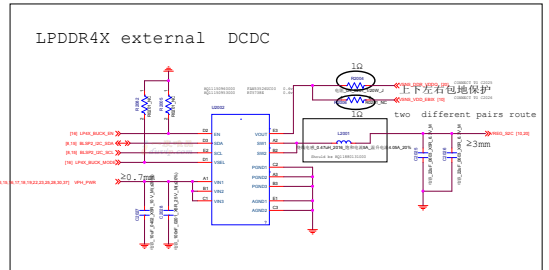
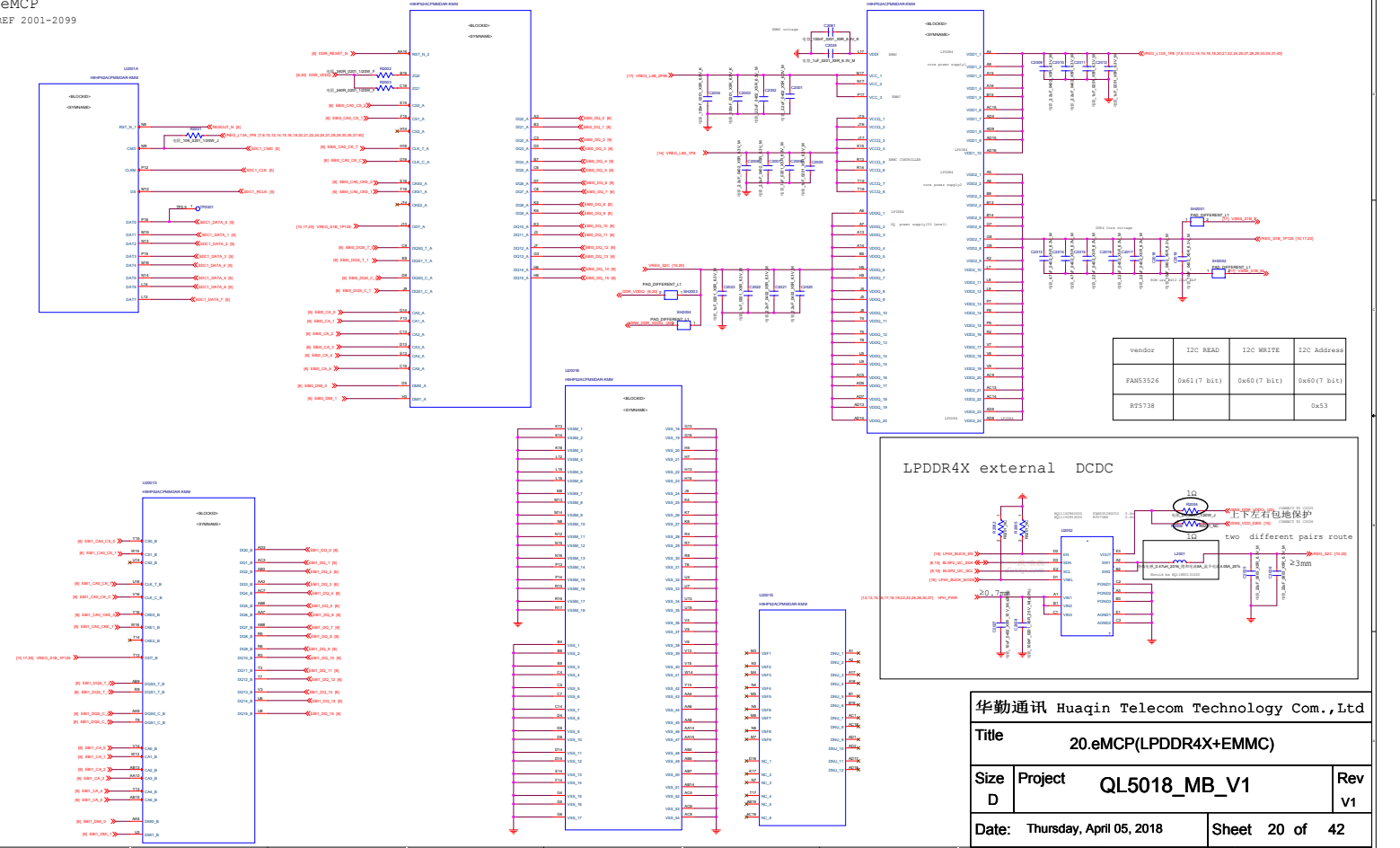
| | | | |
|--|---------|------------------------|-----|
| 华勤通讯 Huaqin Telecom Technology Com., Ltd | | | |
| Title | | 17.PM660L Buck and LDO | |
| Size | Project | QL5018_MB_V1 | Rev |
| D | | | v1 |
| Date: Thursday, April 05, 2018 | | Sheet 17 of 42 | |



| | | | |
|--|--------------------------|-----------------|----------|
| 华勤通讯 Huaqin Telecom Technology Com., Ltd | | | |
| Title | | 18.PM660L CODEC | |
| Size | Project | QL5018_MB_V1 | Rev |
| D | | | V1 |
| Date: | Thursday, April 05, 2018 | Sheet | 18 of 42 |

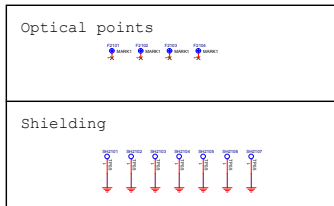
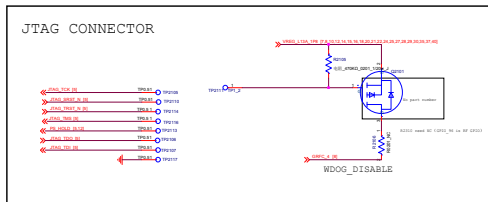
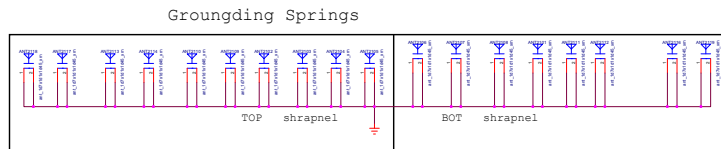
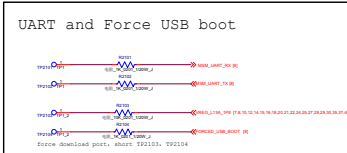


| | | | |
|--|--------------------------|-------------------|----------|
| 华勤通讯 Huaqin Telecom Technology Com., Ltd | | | |
| Title | | 19.PM660L Display | |
| Size | Project | QL5018_MB_V1 | Rev |
| D | | | V1 |
| Date: | Thursday, April 05, 2018 | Sheet | 19 of 42 |



华勤通讯 Huaqin Telecom Technology Com., Ltd

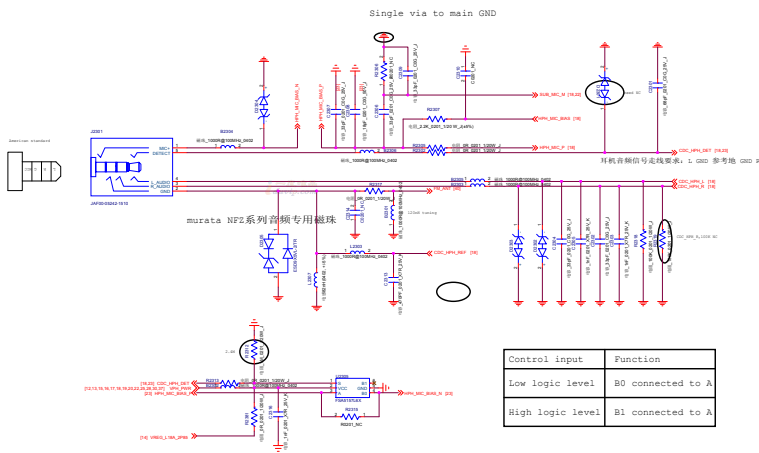
| | | | |
|--------------------------------|----------------------|--------|--|
| Title 20.eMCP(LPDDR4X+EMMC) | | | |
| Size D | Project QL5018_MB_V1 | Rev v1 | |
| Date: Thursday, April 05, 2018 | Sheet 20 of 42 | | |



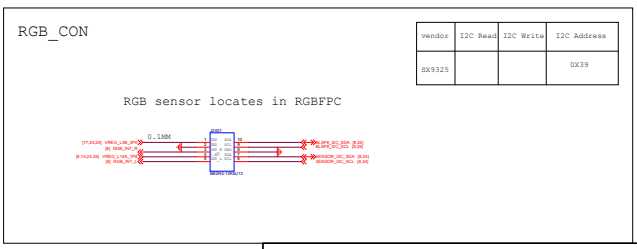
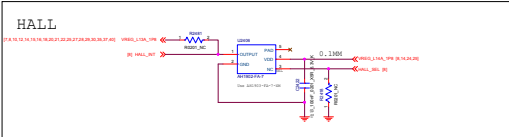
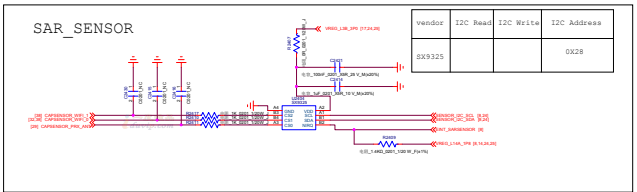
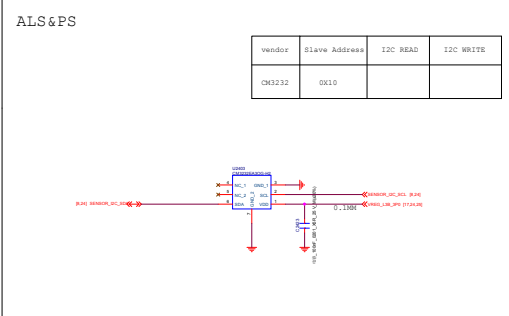
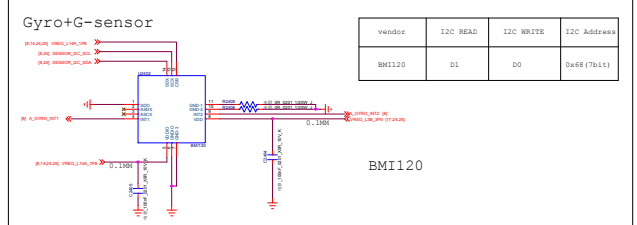
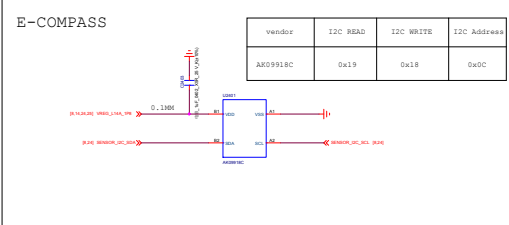
BAT Shielding



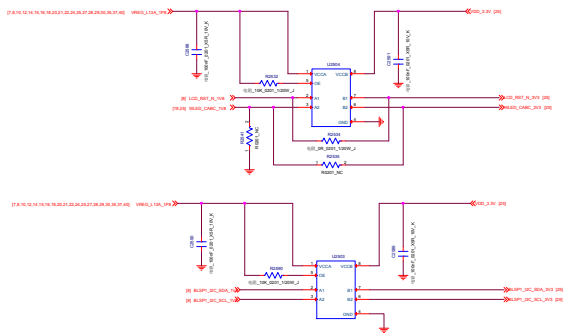
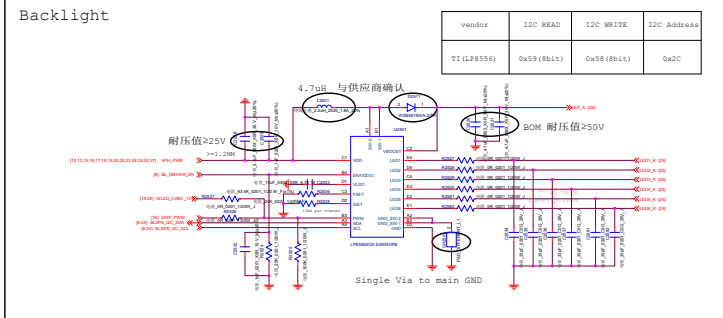
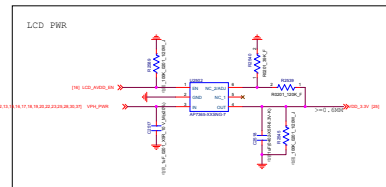
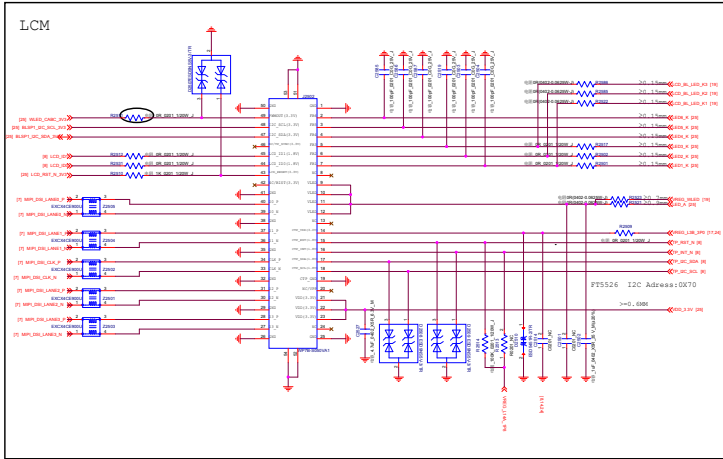
| | | |
|--|--------------------------|--------------------------|
| 华勤通讯 Huaqin Telecom Technology Com., Ltd | | |
| Title | | 21.Test Points/Shielding |
| Size D | Project | Rev |
| | QL5018_MB_V1 | v1 |
| Date: | Thursday, April 05, 2018 | Sheet 21 of 42 |



| | | | |
|--|---------|----------------|--------|
| 华勤通讯 Huaqin Telecom Technology Com., Ltd | | | |
| Title | | 23.HEADSET | |
| Size D | Project | QL5018_MB_V1 | Rev V1 |
| Date: Thursday, April 05, 2018 | | Sheet 23 of 42 | |



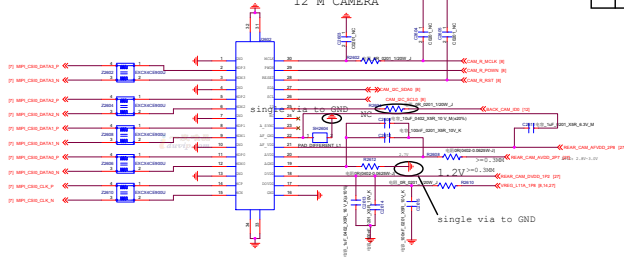
| | | | |
|--|--------------------------|----------------|--------|
| 华勤通讯 Huaqin Telecom Technology Com., Ltd | | | |
| Title | | 24.SENSORS | |
| Size D | Project | QL5018_MB_V1 | Rev V1 |
| Date: | Thursday, April 05, 2018 | Sheet 24 of 42 | |



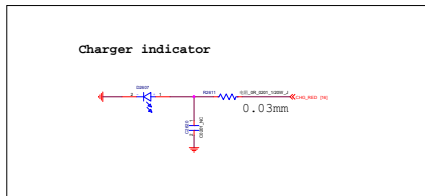
华勤通讯 Huaqin Telecom Technology Com., Ltd

| | | | |
|-------|--------------------------|--------------|----------|
| Title | | 25.LCD | |
| Size | Project | QL5018_MB_V1 | Rev |
| | | | v1 |
| Date: | Thursday, April 05, 2018 | Sheet | 25 of 42 |

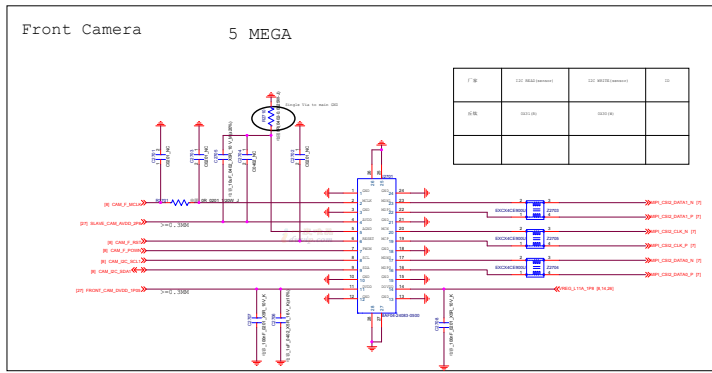
UP MAIN DOWN SLAVE
First Main RGB Camera
12 M CAMERA



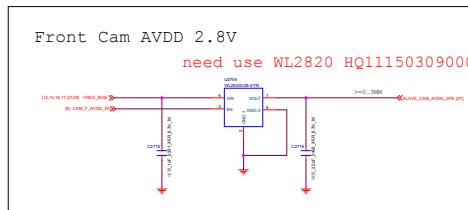
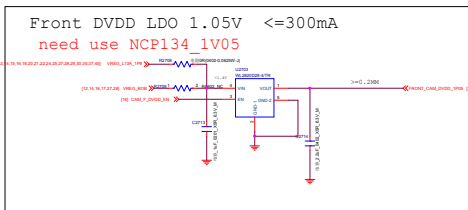
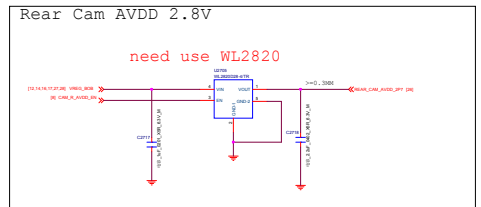
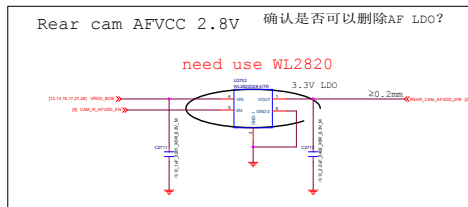
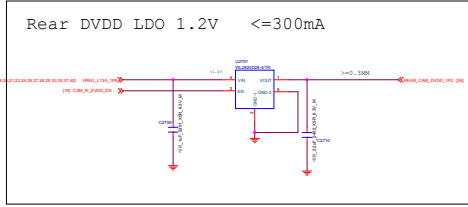
| REV | DATE | BY | CHK | APP | DATE | BY | CHK | APP |
|-----|------|----|-----|-----|------|----|-----|-----|
| | | | | | | | | |



| | | | |
|--|--------------------------|-----------------------|----------|
| 华勤通讯 Huaqin Telecom Technology Com., Ltd | | | |
| Title | | 26.REAR_CAM/INDICATOR | |
| Size D | Project | QL5018_MB_V1 | Rev v1 |
| Date: | Thursday, April 05, 2018 | Sheet | 26 of 42 |

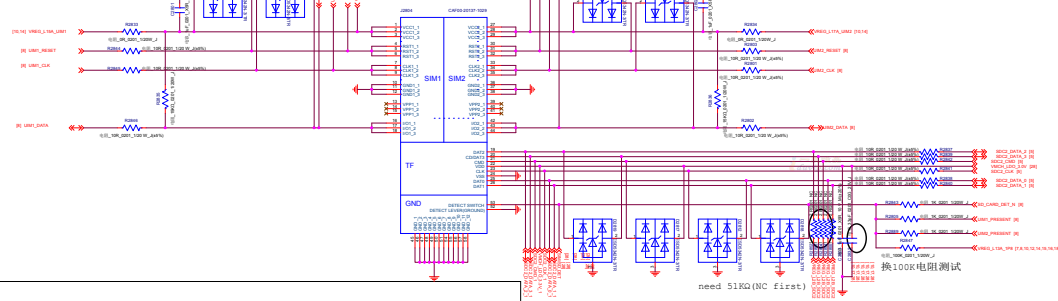


www.iduvip.com 一度唯品-维修图纸资料下载网
Should check LDO amounts based on released Spec

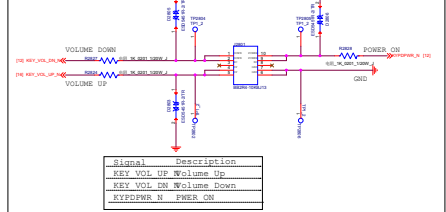


| | | |
|--|----------------------|--------|
| 华勤通讯 Huaqin Telecom Technology Com., Ltd | | |
| Title 27.FRONT_CAM/CAM_POWER | | |
| Size D | Project QL5018_MB_V1 | Rev v1 |
| Date: Thursday, April 05, 2018 | Sheet 27 of 42 | |

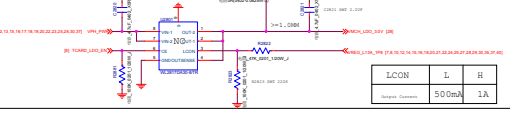
SIM&SD CARD



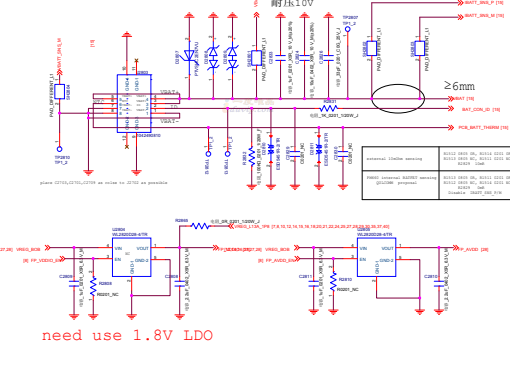
SIDEKEY



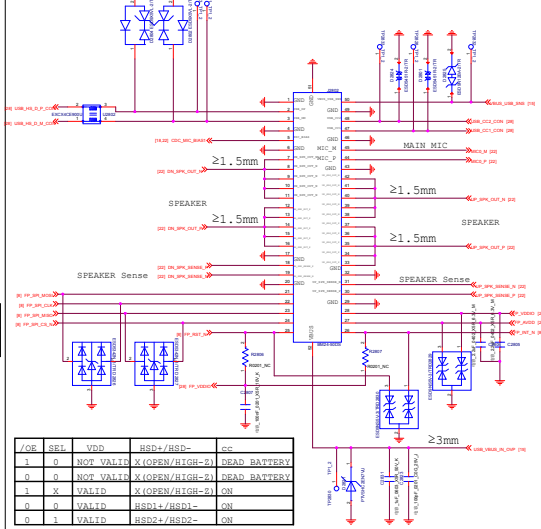
SD CARD LDO



VBAT CONNECTOR
www.iduvip.com

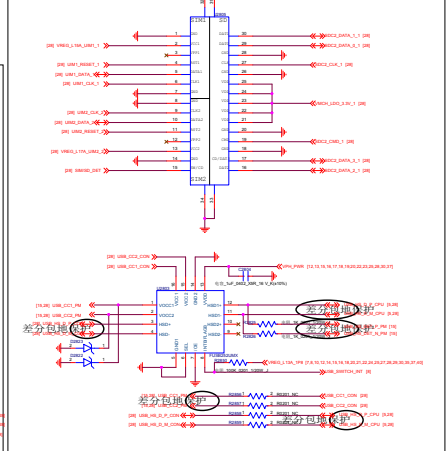


LINK



| /OE | SEL | VDD | RSD+/RSD- | CC |
|-----|-----|-----------|-----------------|--------------|
| 1 | 0 | NOT VALID | X (OPEN/HIGH-Z) | DEAD BATTERY |
| 0 | 0 | NOT VALID | X (OPEN/HIGH-Z) | DEAD BATTERY |
| 1 | X | VALID | X (OPEN/HIGH-Z) | ON |
| 0 | X | VALID | RSD+/RSD- | ON |
| 0 | 1 | VALID | RSD+/RSD- | ON |

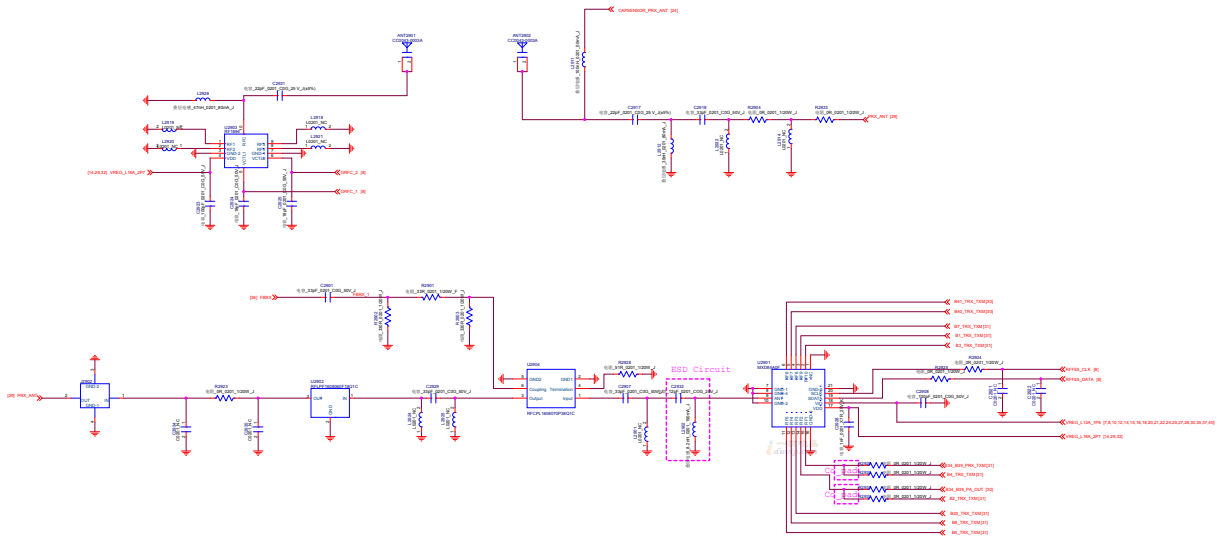
SIM/SD CARD CON



华勤通讯 Huaqin Telecom Technology Com., Ltd

| | | | | | |
|--------|--------------------------|--------------|--|-------------------------|----------|
| Title | | | | 28.SIM_SD_KEY_LINK_BATT | |
| Size D | Project | QL5018_MB_V1 | | Rev | V1 |
| Date: | Thursday, April 05, 2018 | | | Sheet | 28 of 42 |

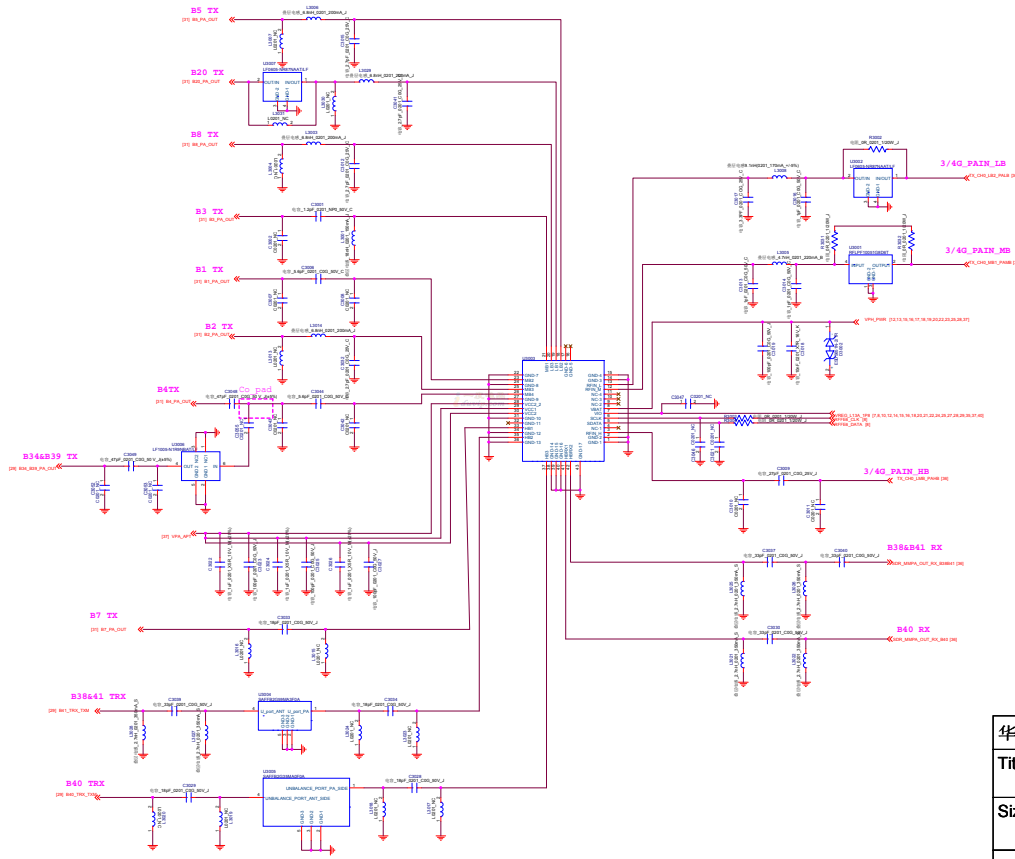
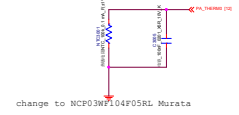
PRIMARY_ANTENNA



| | | |
|---|--------------------------|---------------------|
| 华勤通讯 Huaqin Telecom Technology Com.,Ltd | | |
| Title | | QL5018_MB_V1 |
| Size | Project | 29: PRIMARY_ANTENNA |
| D | | Rev v1 |
| Date: | Thursday, April 05, 2018 | Sheet 29 of 42 |

Thermistor / To sense board level temperature

PA_THERMAL

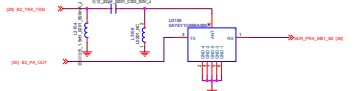


| | | | |
|---|--------------------------|---------------------|----------|
| 华勤通讯 Huaqin Telecom Technology Com.,Ltd | | | |
| Title | | | |
| QL5018_MB_V1 | | | |
| Size | Project | 30: PA & PA THERMAL | Rev |
| D | | | v1 |
| Date: | Thursday, April 05, 2018 | Sheet | 30 of 42 |

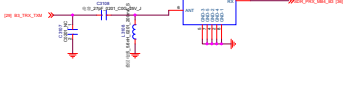
B1 TRX



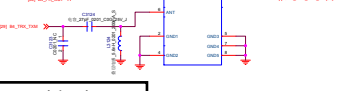
B2 TRX



B3 TRX

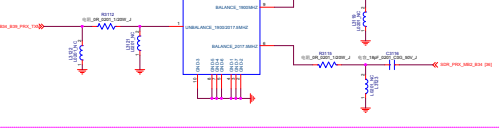


B4 TRX

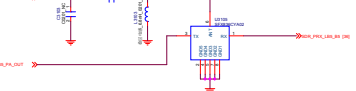


www.iduvip.com

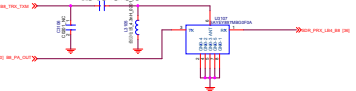
B34&39 RX



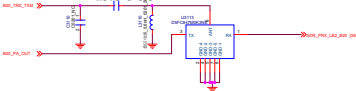
B5 TRX



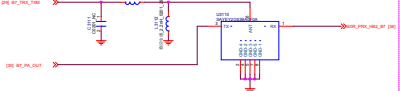
B8 TRX



B20 TRX

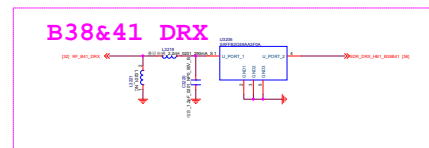
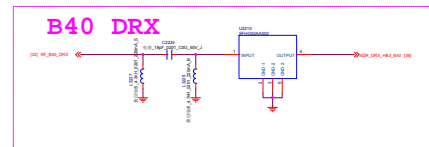
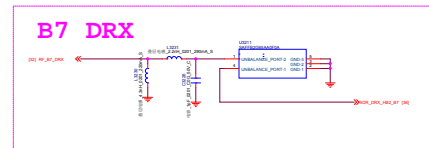
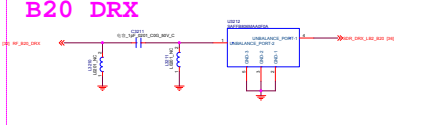
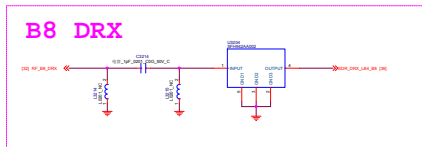
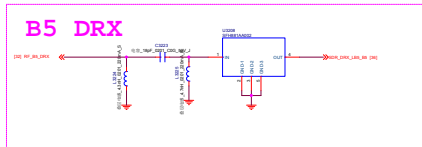
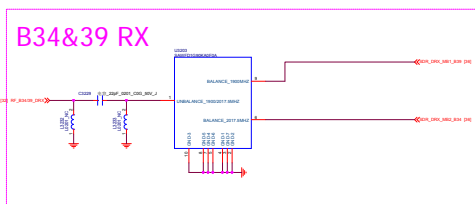
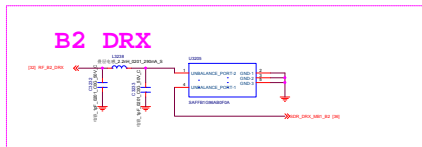
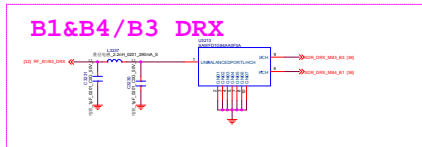
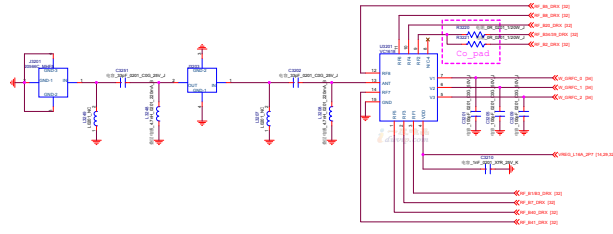
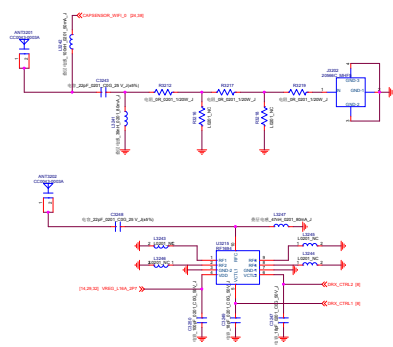


B7 TRX



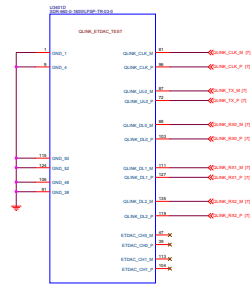
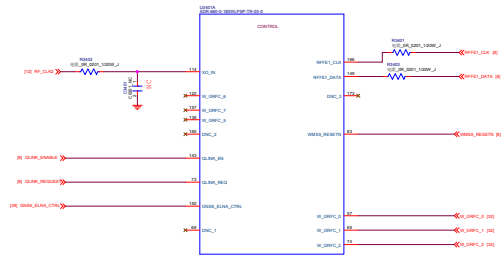
| | | |
|--|--------------------------|----------------|
| 华勤通讯 Huaqin Telecom Technology Com., Ltd | | |
| Title | | QL5018_MB_V1 |
| Size | Project | Rev |
| D | 31: TRX_LMHB | v1 |
| Date: | Thursday, April 05, 2018 | Sheet 31 of 42 |

DRX_ANT_HMLB



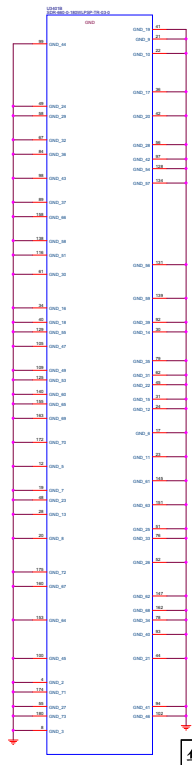
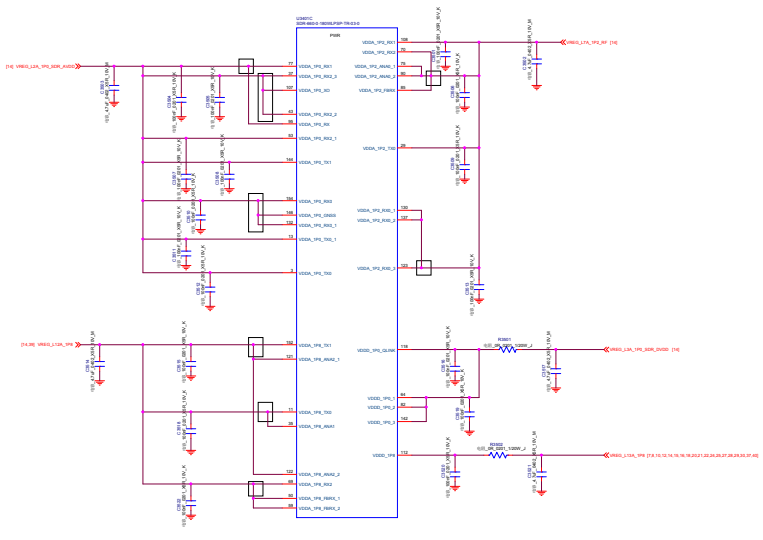
| | | |
|---|--------------------------|----------------|
| 华勤通讯 Huaqin Telecom Technology Com.,Ltd | | |
| Title | | QL5018_MB_V1 |
| Size | Project | 32: DRX_LMHB |
| D | | Rev v1 |
| Date: | Thursday, April 05, 2018 | Sheet 32 of 42 |

| | | |
|--|--------------------------|----------------|
| 华勤通讯 Huaqin Telecom Technology Com., Ltd | | |
| Title | | |
| QL5018_MB_V1 | | |
| Size | Project | Rev |
| D | 33: DIVERSITY_NULL | V1 |
| Date: | Thursday, April 05, 2018 | Sheet 33 of 42 |

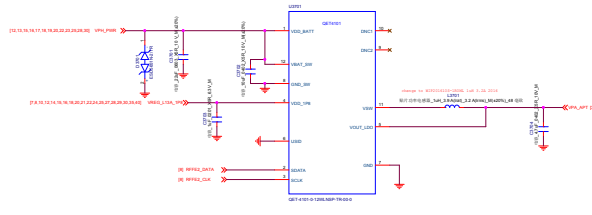


Each QLINK pair shall be routed in a channel together isolated from other QLINK pairs with surrounding gnd. The differential reference impedance for the channel is recommended to be 85 ohm, +/- 10% variations due to manufacturing.

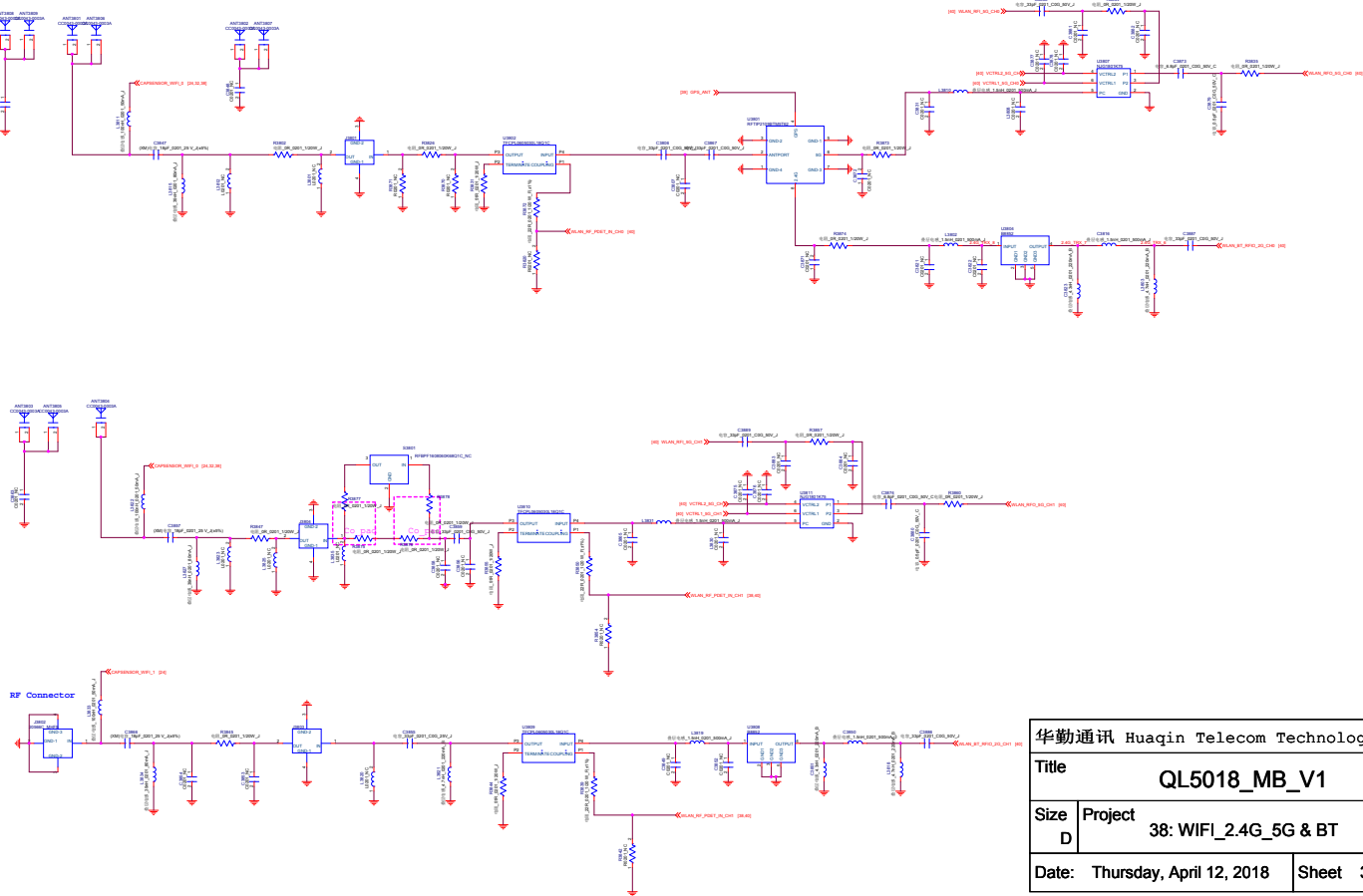
| | | | |
|---|--------------------------|----------------|----------|
| 华勤通讯 Huaqin Telecom Technology Com.,Ltd | | | |
| Title | | QL5018_MB_V1 | |
| Size | Project | 34: SDR660_MSS | Rev |
| D | | | v1 |
| Date: | Thursday, April 05, 2018 | Sheet | 34 of 42 |



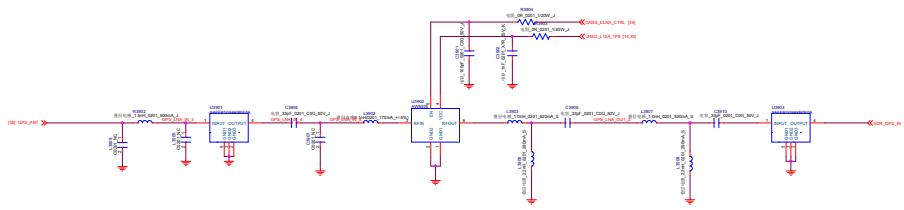
| | | | |
|--|--------------------------|----------------|----------|
| 华勤通讯 Huaqin Telecom Technology Com., Ltd | | | |
| Title | | QL5018_MB_V1 | |
| Size | Project | 35: SDR660_PWR | Rev |
| D | | | v1 |
| Date: | Thursday, April 05, 2018 | Sheet | 35 of 42 |



| | | |
|---|-------------------------------|------------------|
| 华勤通讯 Huaqin Telecom Technology Com.,Ltd | | |
| Title QL5018_MB_V1 | | |
| Size D | Project 37: QFE4101 | Rev v1 |
| Date: Thursday, April 05, 2018 | Sheet 37 of 42 | |

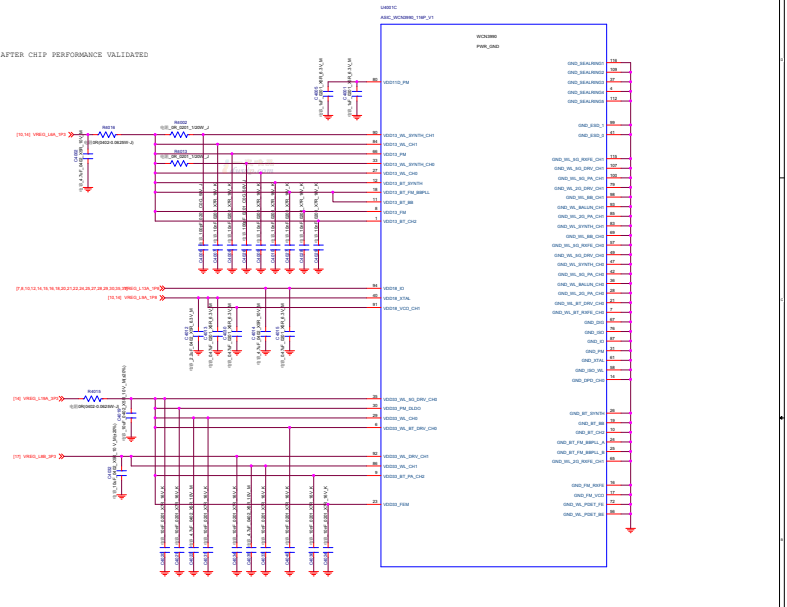
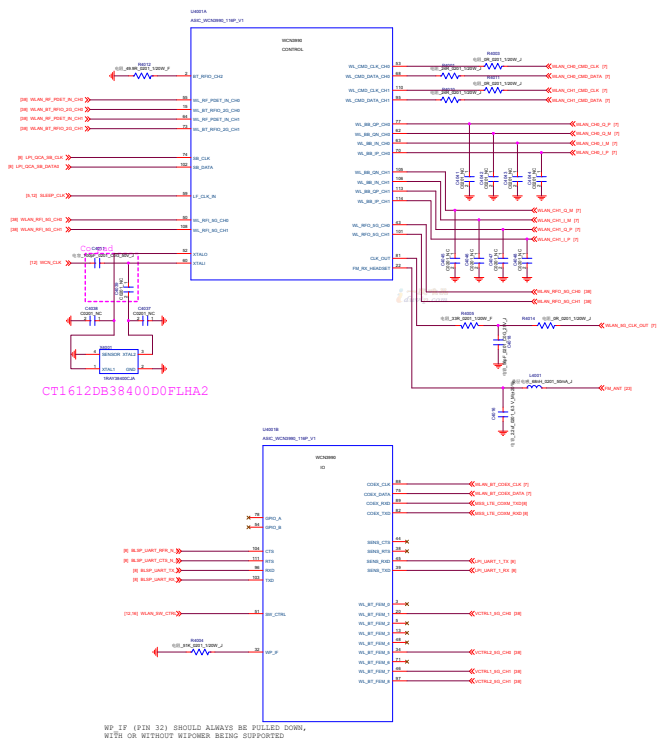


| | | | |
|--|--------------------------|-----------------------|----------|
| 华勤通讯 Huaqin Telecom Technology Com., Ltd | | | |
| Title | | QL5018_MB_V1 | |
| Size | Project | 38: WIFI_2.4G_5G & BT | Rev |
| D | | | v1 |
| Date: | Thursday, April 12, 2018 | Sheet | 38 of 42 |



| | | |
|--|--------------------|-----------|
| 华勤通讯 Huaqin Telecom Technology Com., Ltd | | |
| Title QL5018_MB_V1 | | |
| Size D | Project 39: GPS | Rev v1 |
| Date: Thursday, April 05, 2018 | Sheet 39 of 42 | |

PLACE RASDA AND RASDS BEHIND WCN5800 CHIP
 THESE RESISTORS CAN BE REMOVED IF NO ISSUES OBSERVED AFTER CHIP PERFORMANCE VALIDATED



WP 1F (PIN 32) SHOULD ALWAYS BE PULLED DOWN,
 WITH OR WITHOUT WIP0P0S BEING SUPPORTED

| | | | |
|--|--------------------------|--------------|----------|
| 华勤通讯 Huaqin Telecom Technology Com., Ltd | | | |
| Title | | QL5018_MB_V1 | |
| Size | Project | 40: WCN3990 | Rev |
| D | | | v1 |
| Date: | Thursday, April 05, 2018 | Sheet | 40 of 42 |

| Date | Owner | Changer | Item |
|-------|----------|------------|---|
| 12/14 | BB | TianKai | Delete VSP,VSN signal, signal pin NC |
| 12/14 | BB | TianKai | Add USB CC protection switch circuit |
| 12/14 | BB | TianKai | Add R509 on PON_RESET_N signal |
| 12/27 | BB | TianKai | Modify LCD bias circuits,NC pins haddle |
| 12/27 | BB | TianKai | Delete R1901,C1906,R1902,R1903,R1906,avoid shielding height |
| 12/27 | Stacking | Wangchuzhu | Change erajack to JAF00-05242-1510 |
| 12/27 | BB | TianKai | Delete U2202 IIS testpoints for sufficient placement space on TOP |
| 12/28 | BB | Luzhouting | Ajust the lcm mipi,add the U2503 circuit for lcm,because of the voltage equal |
| 12/28 | BB | Luzhouting | Ajust the J2802,change the network PIN51 and PIN52,because of better performance |
| 12/28 | BB | TianKai | Exchange J2802 USB_HS_D_P_CON and USB_HS_D_M_CON signal, avoid cross routing |
| 12/29 | BB | TianKai | QTI recommends NC K24,H26,AP26,AK26 as UFS and USB ss is not used |
| 12/29 | BB | TianKai | QTI delete C1904recommends NC K24,H26,AP26,AK26 as UFS and USB ss is not used |
| 12/29 | BB | customer | U2203 change to AM0502B-NE381-X01 |
| 12/29 | BB | customer | D2607 change to 19-217UTD/S3393/TR8 (UN) |
| 01/02 | BB | TianKai | Add C2269,C2270 10uF capacitor |
| 01/02 | BB | TianKai | Change D2301,D2302,D2303 to FESDTC5VB |
| 01/03 | BB | TianKai | Delete C1904 |
| 01/03 | BB | TianKai | Add R2862,R2863,R2612 |
| 01/04 | BB | TianKai | Add C2271,C2272 |
| 01/04 | BB | TianKai | DN_SPK_RST:GPIO_70->GPIO_113,UP_SPK_RST:GPIO_73->GPIO_48,TCARD_LDO_EN:GPIO_64->GPIO_59 |
| 01/05 | BB | Luzhouting | Modify LCD pin definition,NC 24,connect 21 |
| 01/08 | BB | tianaki | Add R2222,R2536,R2537,R2107,R2223,U2504 conversion circuit |
| 01/09 | BB | tianaki | C2322 change to CM3232EA30G-H2, U2502 TLV70733DQNR change to AP7365-XXSNG-7 |
| 01/09 | BB | tianaki | UP_SPK_DOUT connect to IIS2,DN_SPK_DOUT connect to IIS1 for batter AEC performance |
| 01/11 | BB | tianaki | D2821,D1501 change footprint, delete D2820,add R2541 |
| 01/13 | BB | tianaki | Add C944,C945 |
| 01/13 | BB | tianaki | Add R1906 |
| 01/15 | BB | tianaki | LCD_RST_N(GPIO_53) change to GPIO_62 |
| 01/15 | BB | tianaki | Add C701,C1523,C1607,C2833, delete Flash_Strobe signal |
| 01/16 | BB | tianaki | Add C1725,R1907,R2306,C1503,D1533,D1534,D2825 for better performance |
| 01/16 | BB | tianaki | Delete R2860,R2861 |
| 01/16 | BB | Luzhouting | Modified headset switch circuit |
| 01/17 | BB | tiankai | Delete C502,C503 for layout |
| 01/18 | BB | tiankai | D2807,D2821,Q2101 TVS change footprint |
| 01/18 | BB | tiankai | RGB_INT_L change to GPIO_41 for GPIO_95 have no interrupt function |
| 01/19 | BB | tiankai | J2802.7 change DN_SPK_OUT_N to GND |
| 01/20 | BB | tiankai | swap C1301 and C1307 to meet layout requitement |
| V2 | | | |
| 02/12 | BB | tiankai | MI2S_1_NS signal adds TP2207 testpoint |
| 02/12 | BB | tiankai | U2802,U2503,U2501,U2502,U2504,U2505,U2602,U2604,U2608,U2606,U2610,U2703,U2705,U2704 change to EXCX4CE900U |
| 02/12 | BB | tiankai | D2205,D2803,D2805,D2806,D2810,D2811,D2510 footprint chang to ESD5451R-2/TR |
| 02/12 | BB | tiankai | D2301,D2302,D2303,D2304 footprint change to ESD5651N-2/TR |
| 02/12 | BB | tiankai | BOARD_ID change to PM660 GPIO_2 |
| 02/12 | BB | tiankai | BACK_CAM_IDO change to PM660 GPIO_11 |
| 02/26 | BB | tiankai | Delete R2862 and R2863 to solve the footprint uncompatible problem |
| 02/26 | BB | tiankai | Change C2403's footprint from 0603 to 0402 to avoid shorting to GND |
| 02/26 | BB | tiankai | Change C2215,C2216,C2228,C2235's footprint from 0805 to 0603 to avoid shorting to GND |
| 02/26 | BB | tiankai | Delete ANT2115 for not used |
| V3 | | | |
| 03/05 | BB | Liyuehua | ADD GPIO_63 FP_RST_N;GPIO_70 FP_VDDIO_EN;GPIO_71 FP_INT_N;GPIO_74 FP_AVDD_EN;LPI_GPIO8-11 FP_SPI |
| 03/05 | BB | Liyuehua | Change the link BTB singal and add FP singal,,ADD U2804,U2805 circuit |
| 03/05 | BB | Liyuehua | ADD D2806 |
| 03/08 | BB | Lizhenhua | Change GPIO_92 FP_RST_N;GPIO_108 FP_VDDIO_EN;GPIO_71 FP_INT_N;GPIO_98 FP_AVDD_EN to good routin. GPIO24-27 FP_SPI |
| 03/08 | BB | Lizhenhua | COMPATIBLE IIS WITH TIM. R2222 /R2223 |
| 03/08 | BB | Lizhenhua | Delete ANT2201-ANT2204 |
| 03/08 | BB | Lizhenhua | Add R2865 instead of U2804 LDO |
| 03/08 | BB | Lizhenhua | Delete D2608 |
| 03/09 | BB | Lizhenhua | C2018 and C2019's footprint change from 0603 to 0402 to avoid shorting to GND |
| 03/09 | BB | Lizhenhua | Change GPIO_108 FP_RST_N;GPIO_92 FP_VDDIO_EN; |

| | | | |
|---|--------------------------|---------------|----------|
| 华勤通讯 Hqsjin Telecom Technology Com.,Ltd | | | |
| Title | | QL5018_MB_V1 | |
| Size | Project | 41.Changelist | |
| Custom | | | Rev v1 |
| Date: | Thursday, April 05, 2018 | Sheet | 41 of 42 |

| Date | Owner | Changer | Item |
|-----------|-------|--------------|---|
| V4 | | | |
| 2018/3/28 | BB | Wanghongjian | Delete R2316 for Crosstalk |
| 2018/3/28 | BB | Wanghongjian | Change ANT2101--ANT2114 AND ANT2116-ANT2119 Footprint |
| 2018/3/28 | BB | Wanghongjian | Delete R2829 |
| 2018/3/28 | BB | Wanghongjian | Add R2545 |
| | | | |
| | | | |
| | | | |

| | | | |
|---|--------------------------|---------------|----------|
| 华勤通讯 Huzhin Telecom Technology Com.,Ltd | | | |
| Title | | QL5018_MB_V1 | |
| Size | Project | 42.Changelist | Rev |
| Custom | | | v1 |
| Date: | Thursday, April 05, 2018 | Sheet | 41 of 42 |

| Date | Owner | Changer | Item |
|-------|-------|--------------|---|
| 12/28 | RF | Penglu | Add J3201 and J3202 |
| 12/28 | RF | Penglu | Change DRX ports |
| 01/01 | RF | Penglu | Change MMPA B1 and B3 ports |
| 01/02 | RF | Penglu | Optimization of U3807 and U3811 matching |
| 01/03 | RF | Penglu | Change PRX(Page36) B1/3/39 and DRX B1/3/39 ports |
| 01/03 | RF | Penglu | Optimization of PRX(Page29),DRX(Page32) and WCN(Page38) ANT matching |
| 01/04 | RF | Penglu | Add GND spring ANT2114,ANT2113,ANT2117,ANT2118,ANT2115,ANT2116,ANT2119, |
| 01/08 | RF | Penglu | Change the WLAN_RFI_5G_CH1 Net(Page38) |
| 01/11 | RF | Penglu | Change X1201 package |
| 01/16 | RF | Penglu | Change U3006 and U2901 package |
| 01/17 | RF | Penglu | Change X4001 package |
| 01/17 | RF | Penglu | Change C2022 C3024 C3026 package 0402 to 0201;Change C2908 10pF to 100pF |
| 01/18 | RF | Fankai | Add L3909 R3873 R3874 |
| 01/18 | RF | HuangZhihong | Delet 2.4G &5G duplexer |
| 02/12 | RF | Penglu | Add DRX_CTRL1(GPIO97) and DRX_CTRL2(GPIO95);Add C3886 C3887 C3888 C3889 ;Change U2904 pin1 and pin3 |
| 02/24 | RF | Penglu | Add R3903 R3904 |
| 02/26 | RF | Penglu | Delet L3828 L3829 R3851 L3835 L3816 L3814 R3836 |
| 03/08 | RF | HuangZhihong | SAR moving forward near Antenna PAD Delet L2916 L2915 C2926 C2919 C3241 C3245 C3246 C3239 C3244 DeletL3817 C3845 C3801 L3824 C3860 C3861 |
| 03/30 | RF | HuangZhihong | add C4040 |
| 04/05 | RF | penglu | add C4041、C4042、C4043、C4044、C4045、C4046、C4047、C4048、R4015、R4016 |
| 04/12 | RF | gukedong | add 5G wifi CH1 filter S3801,and R3875、R3876、R3877、R3878 |
| 04/12 | RF | gukedong | add L3835 |

| | | |
|---|--------------------------|----------------|
| 华勤通讯 Huaqin Telecom Technology Com.,Ltd | | |
| Title QL5018_MB_V1 | | |
| Size | Project | Rev |
| D | 42.Changelist | V1 |
| Date: | Thursday, April 12, 2018 | Sheet 42 of 42 |