

BLOCK DIAGRAM

REVISION RECORD			
LYE	ECO NO.	APPROVED	DATE

D

D

C

C

B

B

A

A

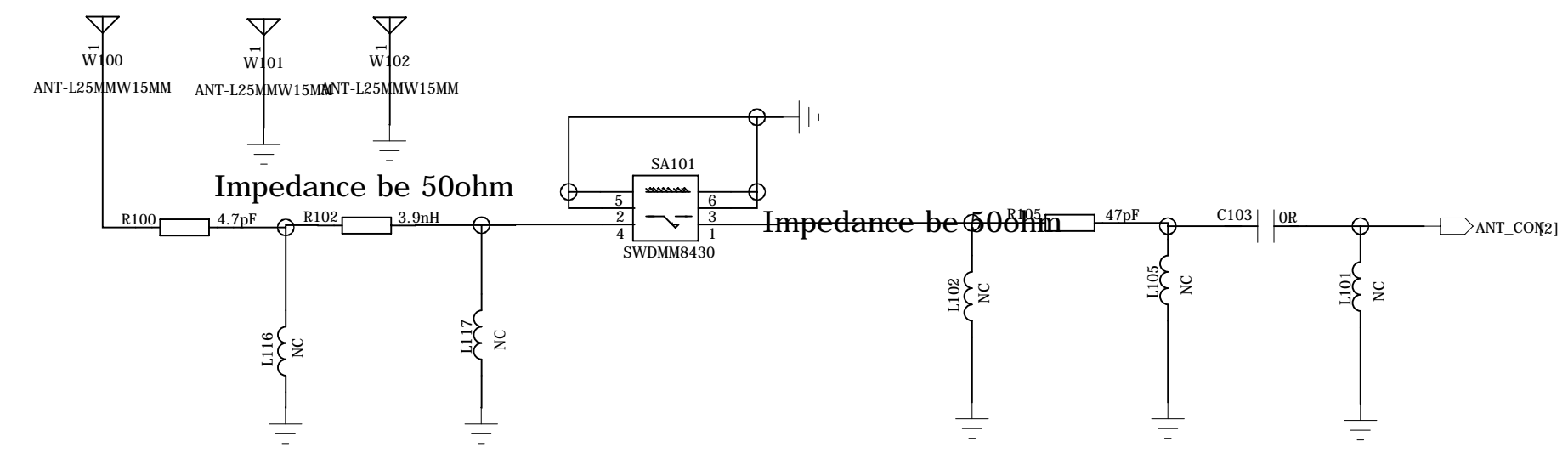
DESIGNER		DATE		DEPARTMENT	
Hanan Qiu		2012-08-14		Hardware DEPT.	
EQA		DATE		COMPANY	
Vincent Gao		2012-08-14		Spreadtrum communications, Inc.	
APPROVED		DATE		CONFIDENTIAL AND PROPRIETARY	
Gang Xu		2012-08-14		SHEET: 1 OF 28	

TITLE & REV: SP8825A-1_SCH_V1.0.0

DOCUMENT NO.:

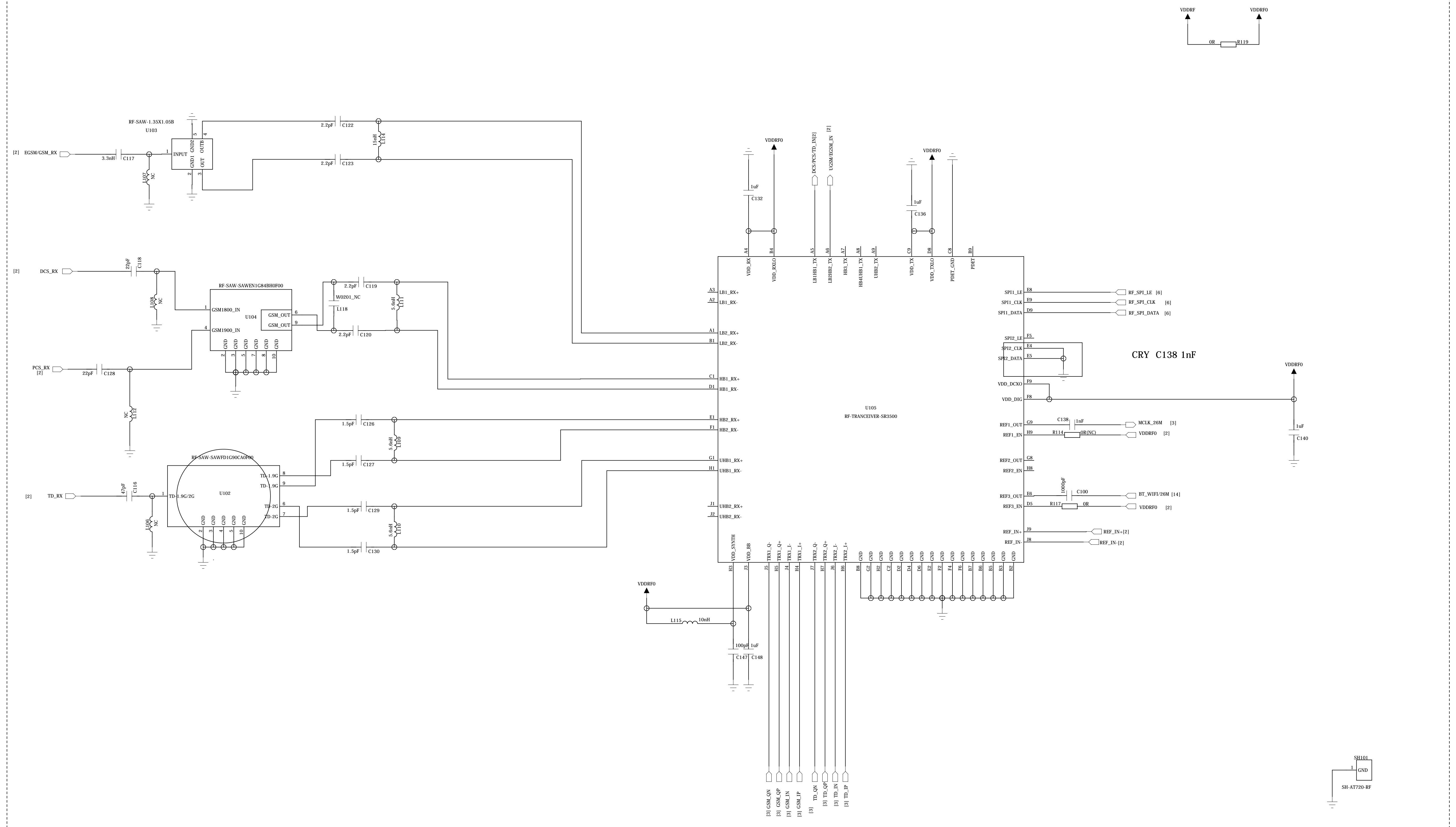
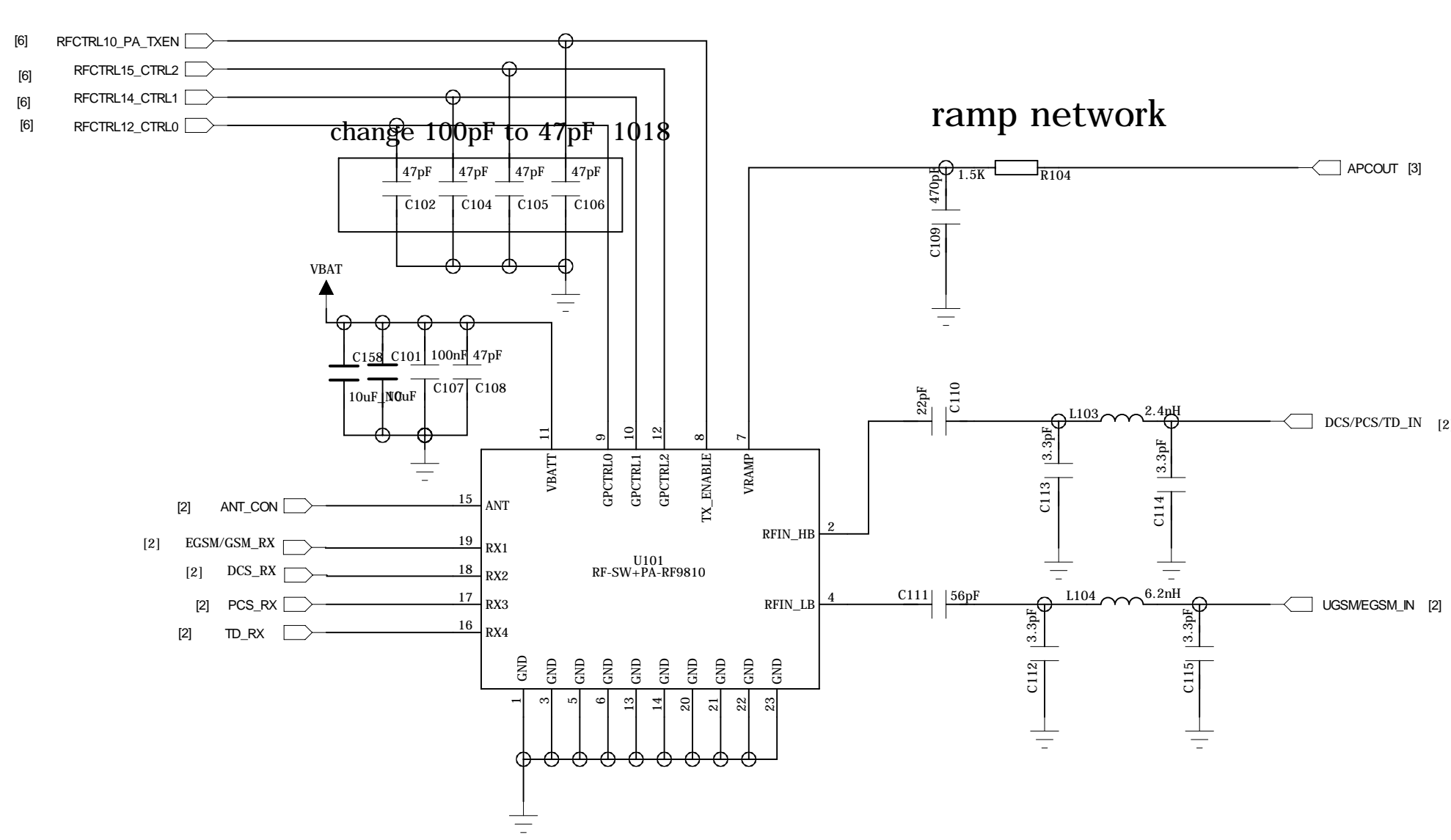
RF TRANSCEIVER

RF ANT

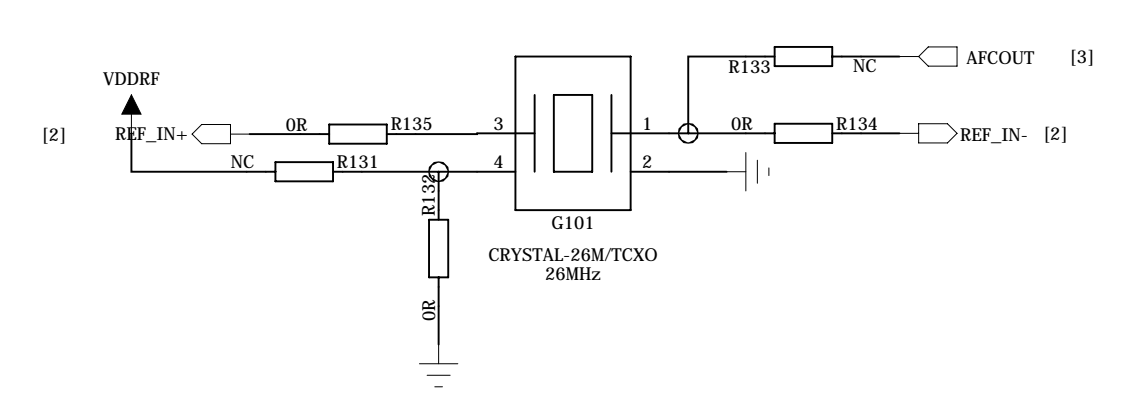


PA MODULE

	VRAMP	TXEN	Ctrl_2	Ctrl_1	Ctrl_0	SWITCH
RX1_NC	0	0	1	0	0	0
RX2_UGSM/EGSM	0	0	0	1	0	0
RX3_DCS/PCS	0	0	0	1	1	0
RX4_TD_RX	0	0	0	0	1	0
TX_LB_GSM	RAMP	1	0	1	0	0
TX_HB_GSM	RAMP	1	0	1	1	1
TX_LB_EDGE	1	1	0	0	0	0
TX_HB_EDGE	1	1	0	0	1	1
TD_TX	0	1	0	0	1	0



26MHz DCXO or TCXO

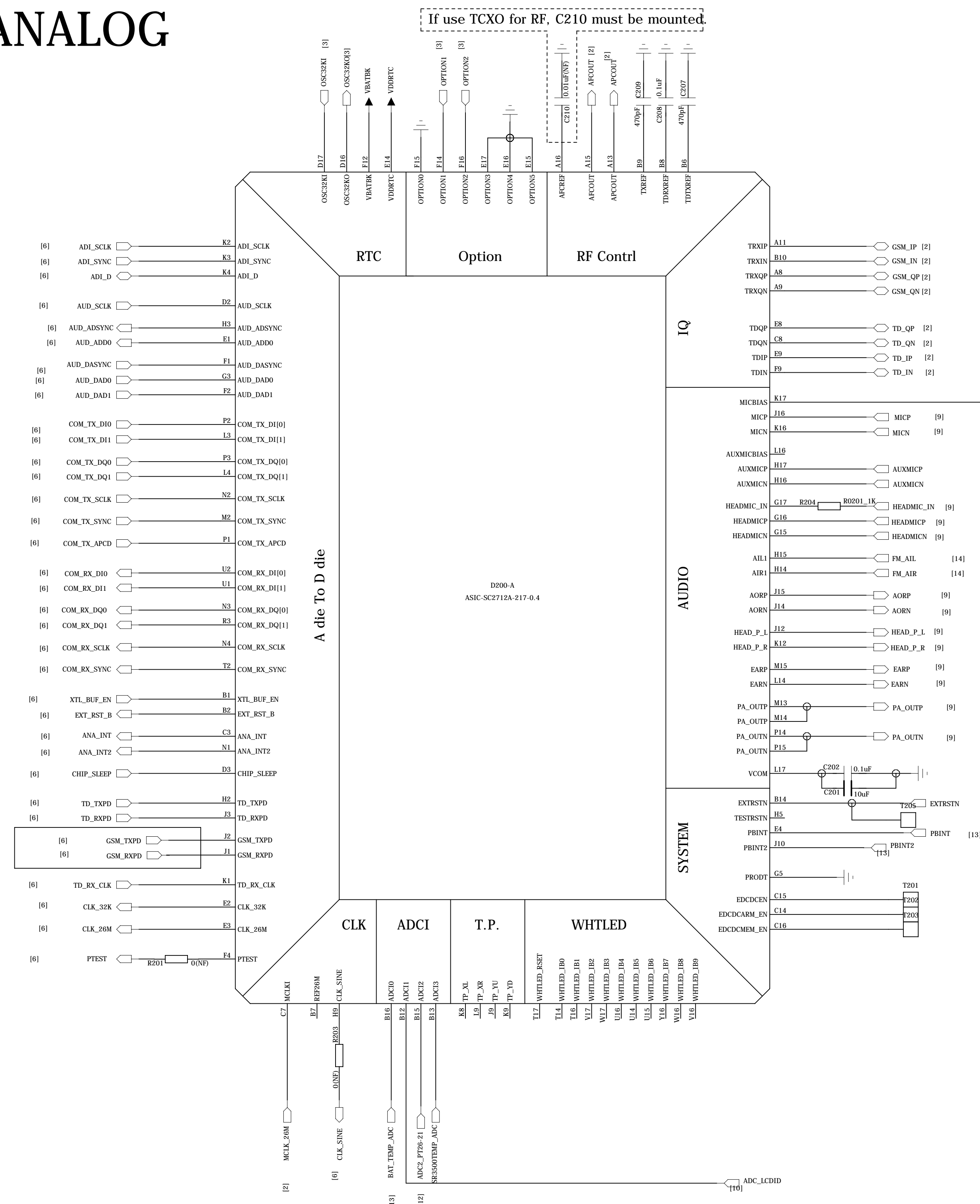


DCXO,TCXO selection

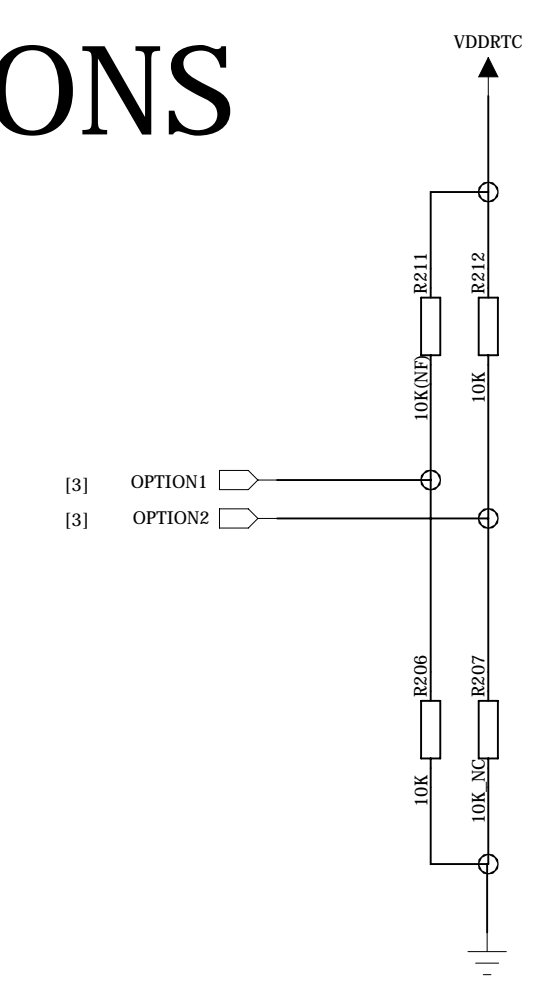
VALUE	R131	R133	R134	R132	R132
DCXO	NF	NF	0ohm	0ohm	0ohm
TCXO	0ohm	0ohm	NF	0.1uF	1nF

REVISION RECORD			
ITER	ECO NO.	APPROVED	DATE

ABB_ANALOG

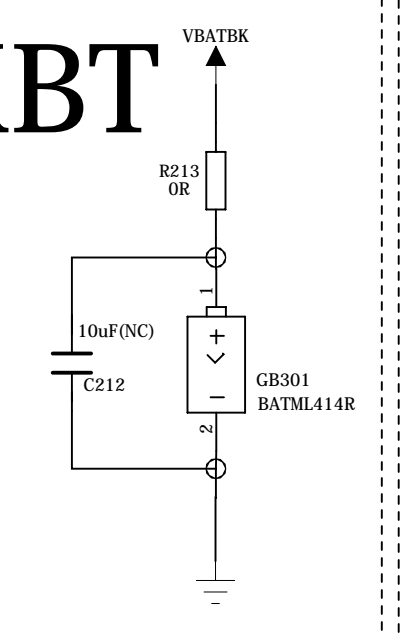


OPTIONS

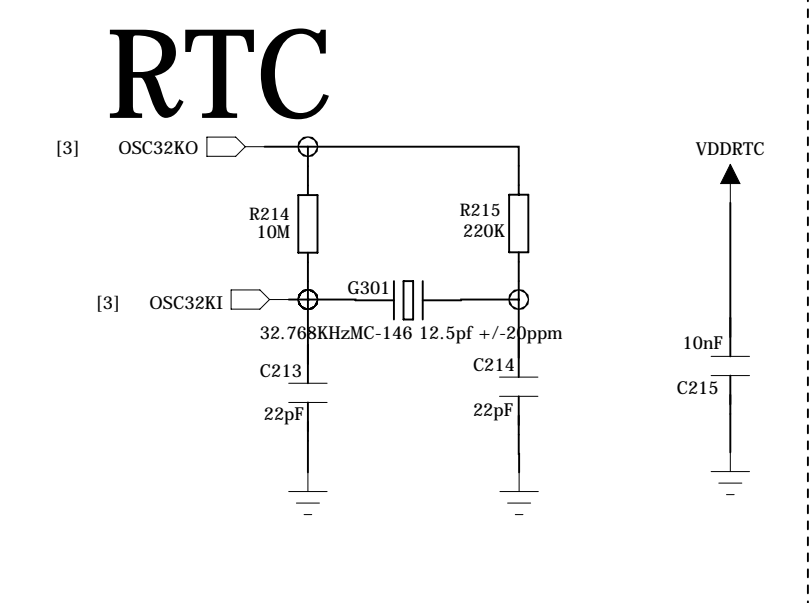


Option	Function	L	H
Option0	DCDC CORE OPTION OUTPUT	Internal DCDC	External DCDC
Option1	LDO POWER ON OPTION OUTPUT	LDO POWER ON BY SEQ	LDO POWER ON TOGETHER
Option2	NEW POWER ON RST OPTION OUTPUT	NEW POWER ON RST SCHEME(DIGITAL POR)	OLD POWER ON RST SCHEME(ANALOG POR)
Option3	DCDC ARM OPTION OUTPUT	Internal DCDC	External DCDC
Option4	DCDC MEM OPTION OUTPUT	Internal DCDC	External DCDC
Option5	DCDC MEM OUTPUT SELECT	DDR2 application (1.2V)	DDR1 application (1.8V)

BKBT



RTC



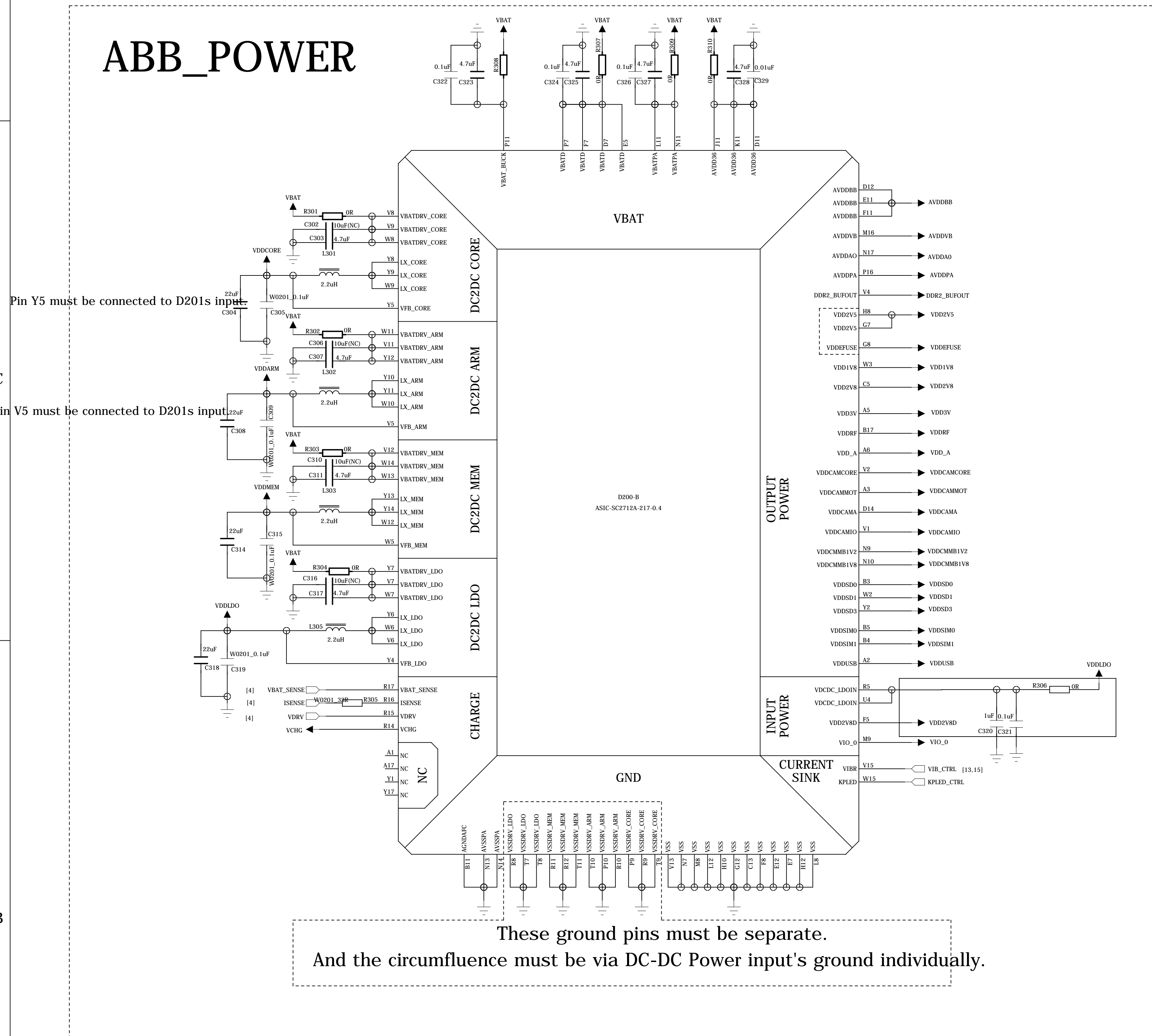
TITLE & REV: **SP8825A-1_SCH_V1.0.0**

DOCUMENT NO.:

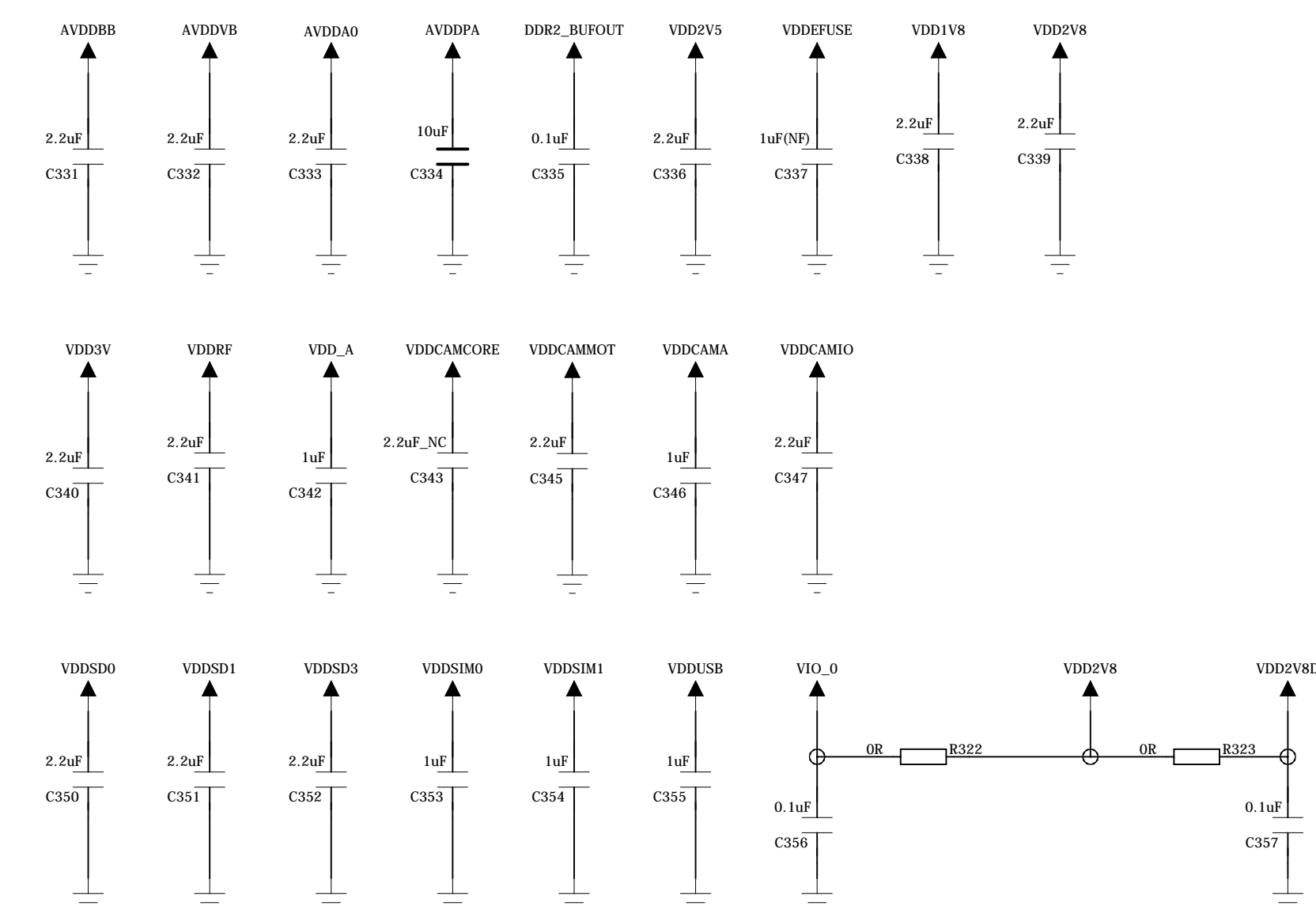
DESIGNER: Hanan Qiu	DATE: 2012-08-14	DEPARTMENT: Hardware DEPT.
RQA: Vincent Gao	DATE: 2012-08-14	COMPANY: Spreadtrum communications, Inc.
APPROVED: Gang Xu	DATE: 2012-08-14	CONFIDENTIAL AND PROPRIETARY

REVISION RECORD			
LT#	REV. NO.	APPROVED	DATE

ABB_POWER

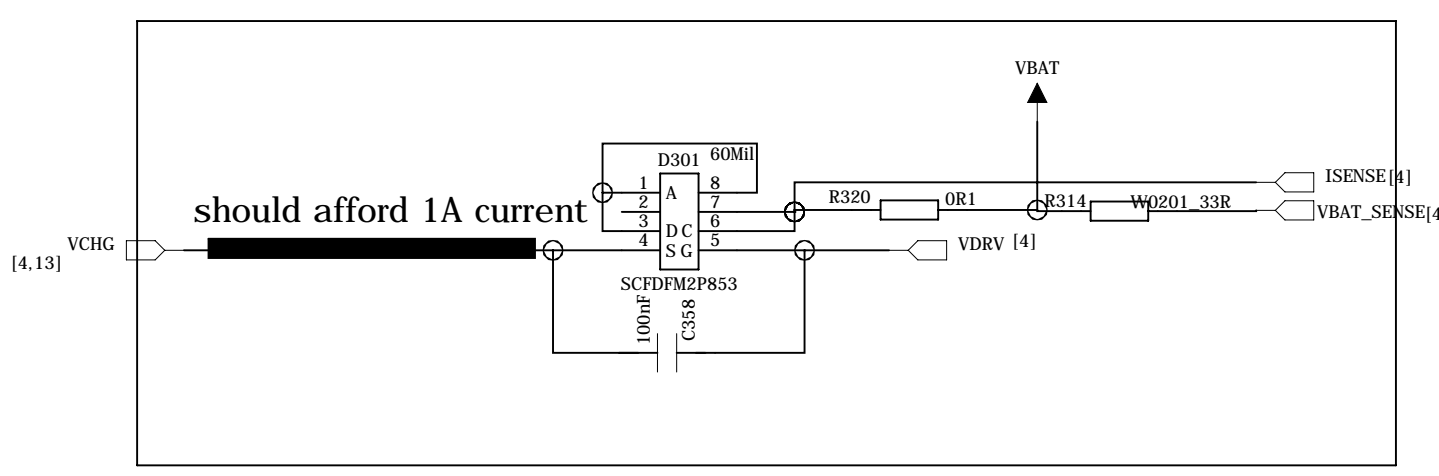


LDO ouput



All capacitors must be close to ABB.
 DDR2_BUFOUT must be protected.
 If do not use internal Audio PA, C334 can be not mounted.

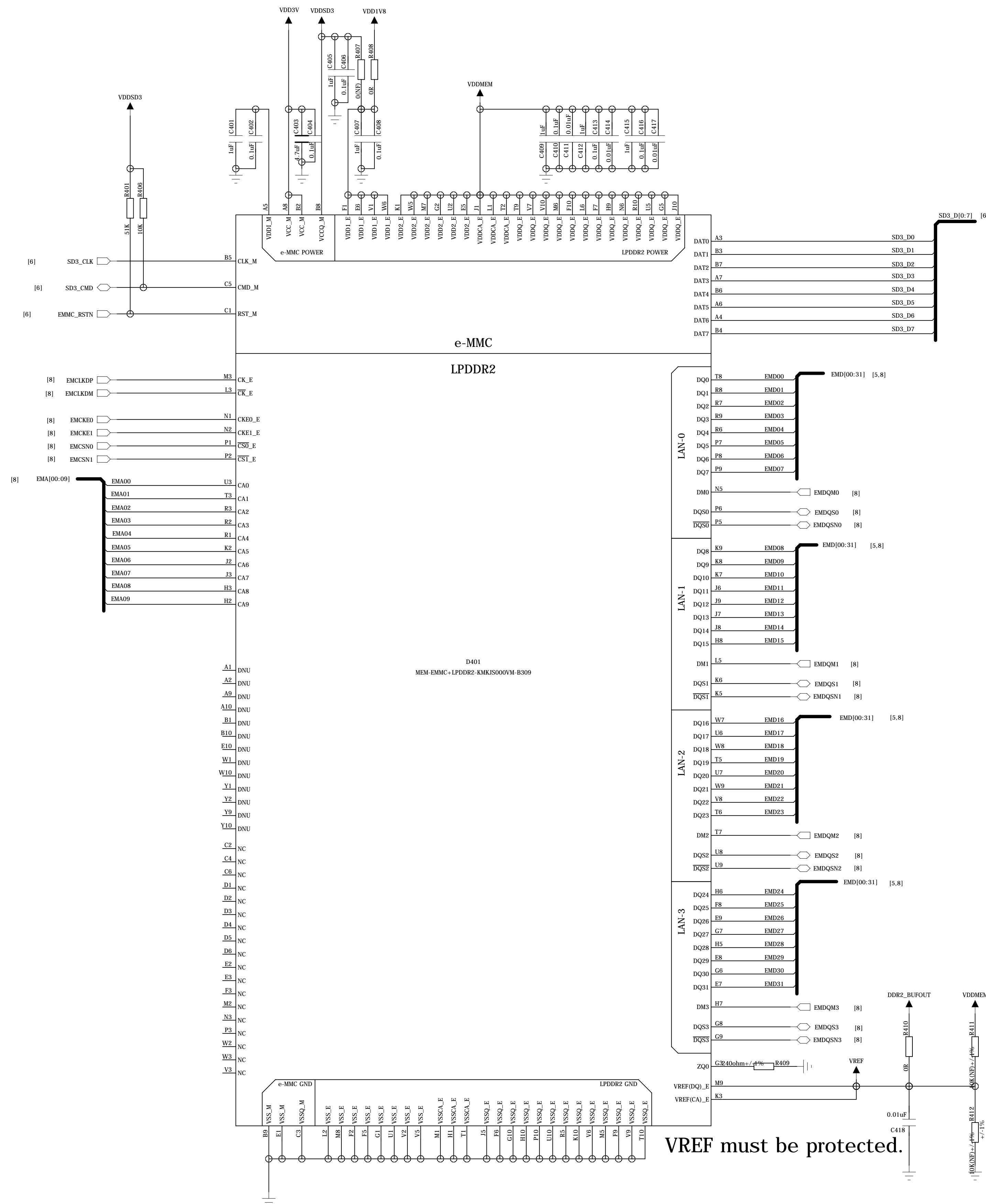
Power	Output Voltage (V)	Output Current	Used Voltage	Default
VDD1V8	1.2/1.3/1.5/1.8	250mA	1.8V	ON
VDD2V5	2.5/2.75/2.9/3.0	110mA	2.5V	ON
VDD2V8	1.8/2.65/2.8/3.0	250mA	2.8V	ON
VDDSIM0	1.8/2.9/3.0/3.1	80mA	1.8/3.0V	OFF
VDDSIM1	1.8/2.9/3.0/3.1	80mA	1.8/3.0V	OFF
VDDCMMB1V8	1.2/1.3/1.5/1.8	250mA	1.8V	OFF
VDDCMMB1V2	1.2/1.3/1.5/1.8	200mA	1.2V	OFF
VDDRF	1.8/2.5/2.85/2.95	250mA	2.85V	ON
VDD3V	1.8/2.5/2.8/3.0	200mA	3.0V	OFF
VDDSD0	1.8/2.5/2.8/3.0	150mA	2.8V	OFF
VDDSD1	1.2/1.3/1.5/1.8	100mA	1.8V	OFF
VDDSD3	1.2/1.3/1.5/1.8	100mA	1.8V	OFF
VDDCAMCORE	1.2/1.3/1.5/1.8	200mA	1.5V	OFF
VDDCAMIO	1.2/1.3/1.5/1.8	200mA	1.8V	OFF
VDDCAMA	1.8/2.5/2.8/3.0	100mA	2.8V	OFF
VDDCAMMOT	1.8/2.8/3.0/3.3	150mA	2.8V	OFF
VDDUSB	3.1/3.2/3.3/3.4	60mA	3.3V	OFF
VDD_A	1.8	80mA	1.8V	ON
AVDDBB	2.8/2.9/3.0/3.1	60mA	3.0V	ON
AVDDVB	2.9/3.1/3.2/3.3 3.4/3.5/3.6/3.8	20mA	3.3V	OFF
AVDDAO	2.9/3.1/3.2/3.3 3.4/3.5/3.6/3.8	100mA	3.3V	OFF
VDDRTC	1.5/1.6/1.7/1.8	0.5mA	1.8V	ON
VBATBK	2.6/2.8/3.0/3.2		2.8V	ON
MICBIAS	1.9/2.1/2.3/2.5		2.1V	OFF
AUXMICBIAS	1.9/2.1/2.3/2.5		2.1V	OFF
VDDMEM	1.7/1.8/1.9/2.0 1.1/1.2/1.3/1.4	800mA	1.8V(DDR1) 1.2V(DDR2)	ON
VDDARM	0.65/0.7/0.8/0.9 1.0/1.1/1.2/1.3	1100mA	1.2V	ON
VDDCORE	0.65/0.7/0.8/0.9 1.0/1.1/1.2/1.3	800mA	1.1V	ON
VDDLDO	1.8/1.9/2.0/2.1 2.2/2.3/2.4/2.5	800mA	2.2V	ON



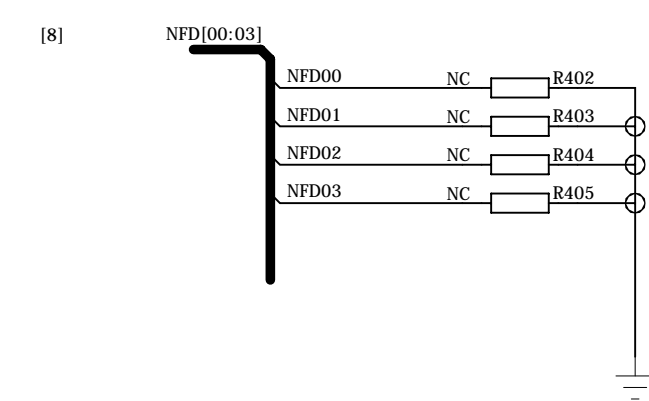
REVISION RECORD			
DATE	REV. NO.	APPROVED	DATE

MCP

DDR1 Voltage is 1.8V, DDR2 Voltage is 1.2V.
EMMC Voltage is 3V, IO is 1.8V.



Strapping Pin



	0	1
NFD00	NAND: Small Page eMMC: VDD3V=1.8V	NAND: Large Page eMMC: VDD3V=3V
NFD01	NAND	eMMC
NFD02	eMMC IO 1.2V	eMMC IO 1.8V
NFD03	USB1.1 Download	USB2.0 Download

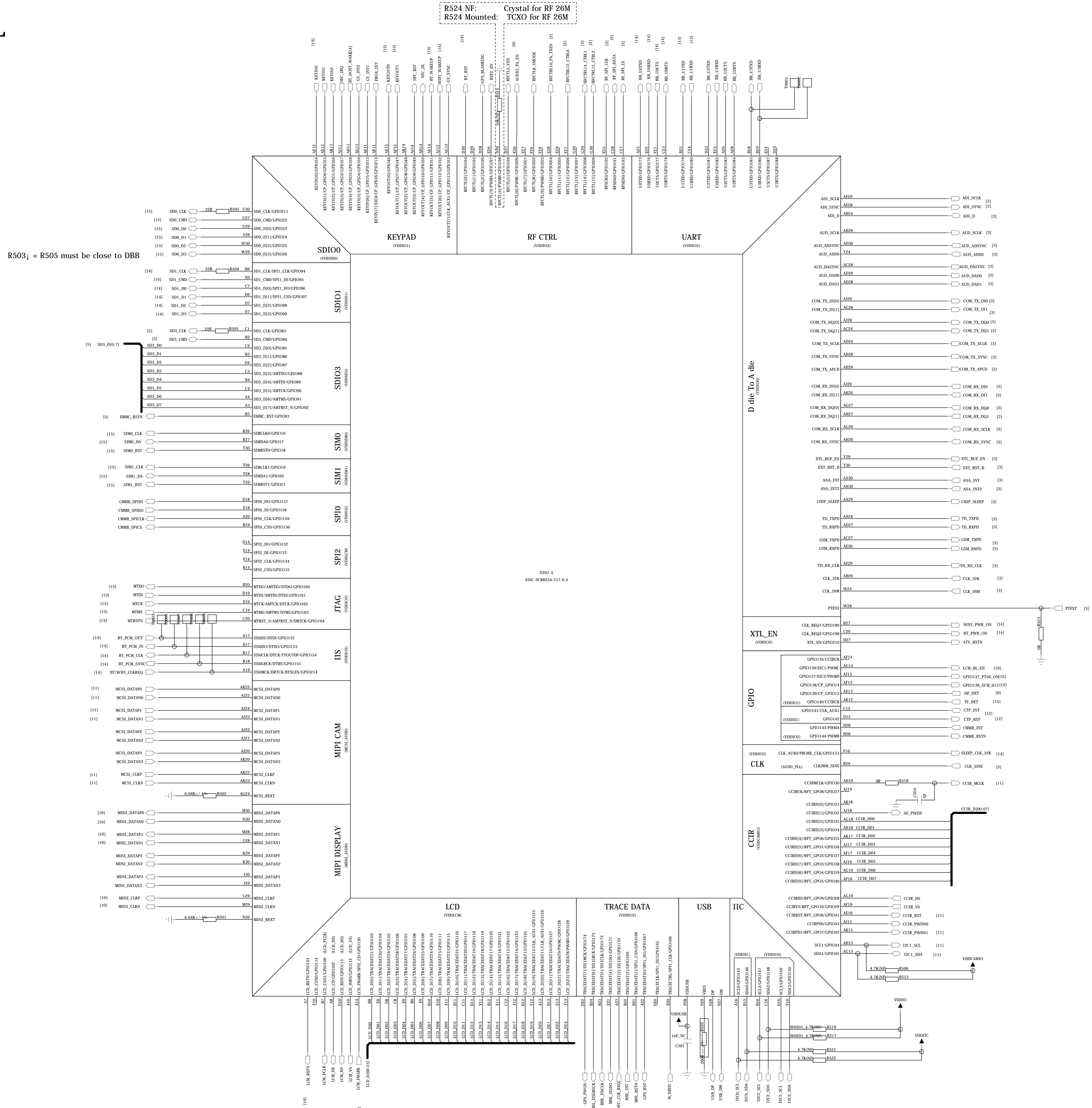
TITLE & REV: SP8825A-1_SCH_V1.0.0

DOCUMENT NO.:

DESIGNER: Hanan.Qiu	DATE: 2012-08-14	DEPARTMENT: Hardware DEPT.
DRAWN: Vincent.Gao	DATE: 2012-08-14	COMPANY: Spreadtrum communications, Inc.
APPROVED: Gang Xu	DATE: 2012-08-14	CONFIDENTIAL AND PROPRIETARY

REVISION RECORD			
REV	ECO NO	APPROVED	DATE

DBB_DIGITAL

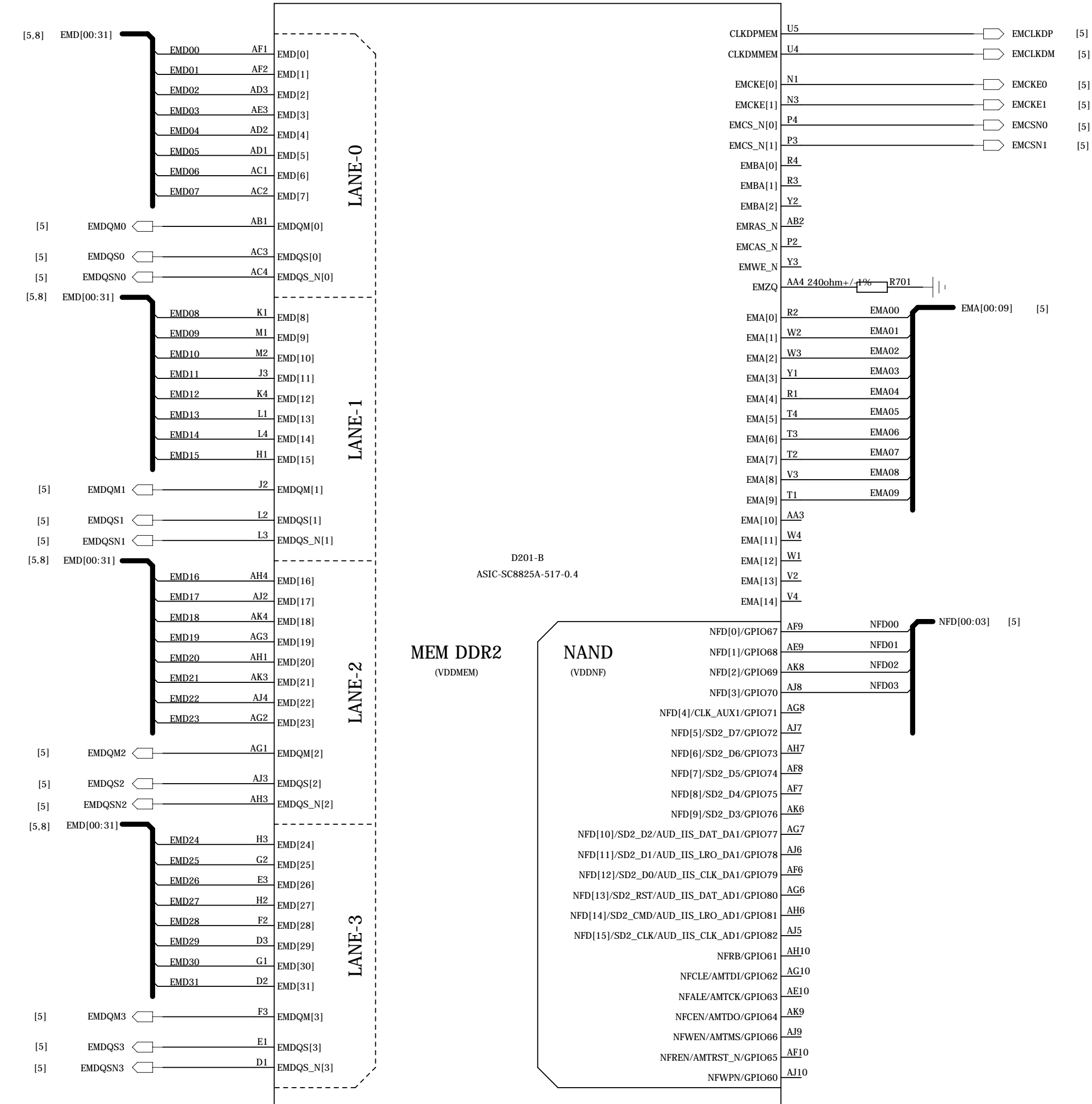


12C0: CTP
12C1: Camera, ATV
12C2: G Sensor, M Sensor, L+P Sensor, Gyroscope, FM
12C3: LCM, NFC, MHL

TITLE & REV: SP8825A-1_SCH_V1.0.0	
DOCUMENT NO.:	
DESIGNER: Hanani.Qiu	DATE: 2012-08-14
DEPARTMENT: Hardware DEPT.	
RQA: Vincent.Gao	DATE: 2012-08-14
COMPANY: Spreadtrum communications, Inc.	
APPROVED: Gang.Xu	DATE: 2012-08-14
CONFIDENTIAL AND PROPRIETARY	SHEET: 7 OF 28

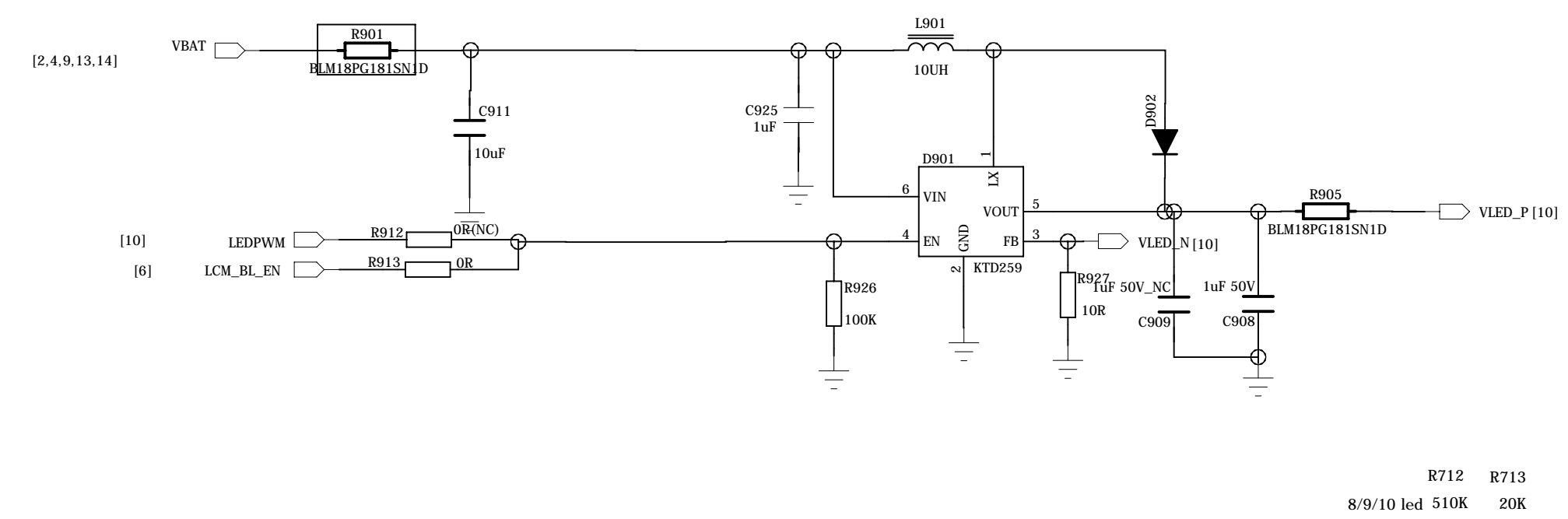
REVISION RECORD			
REV	ECO NO.	APPROVED	DATE

DBB_MEMORY

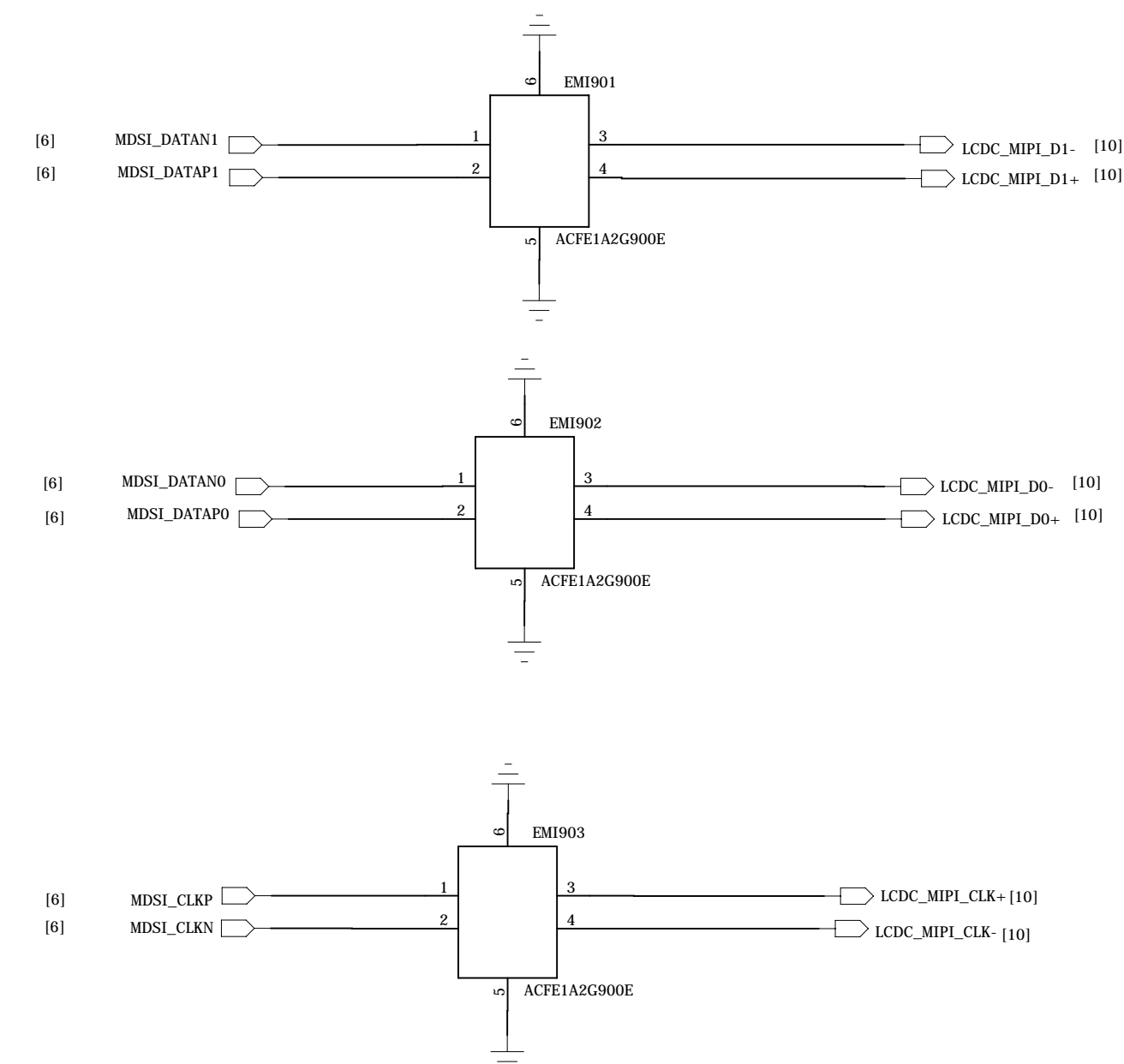


REVISION RECORD			
REV	REV NO.	APPROVED	DATE

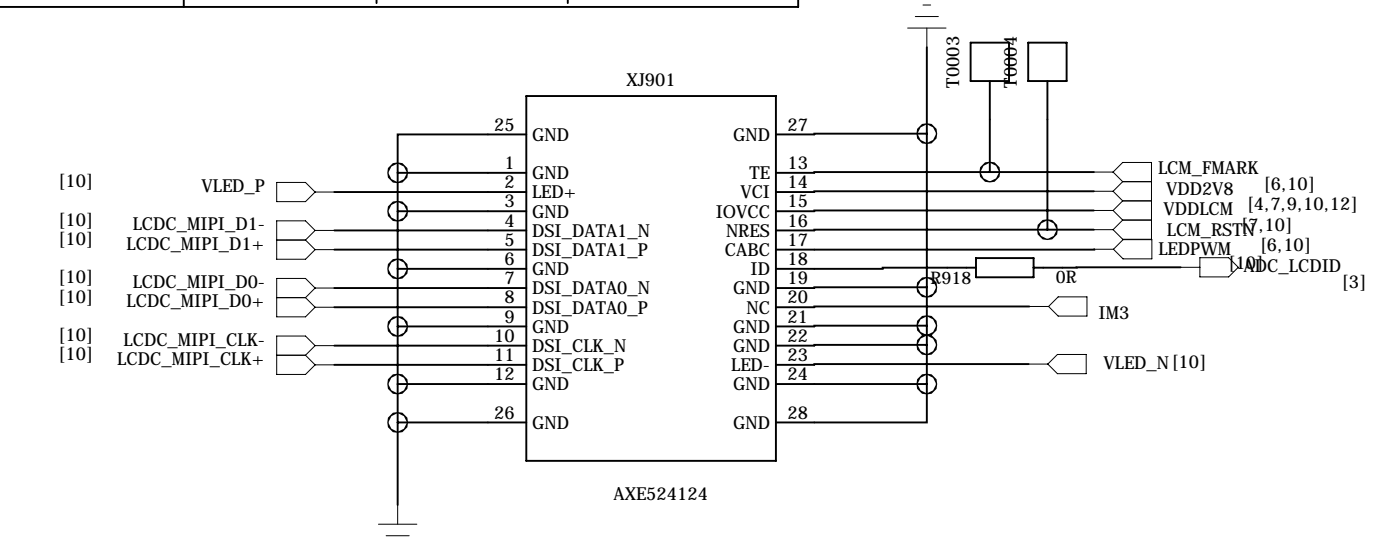
BLACK LIGHT



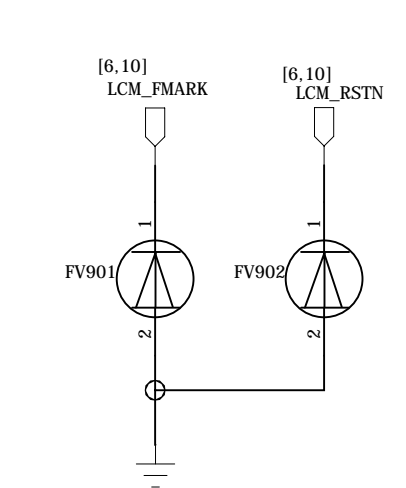
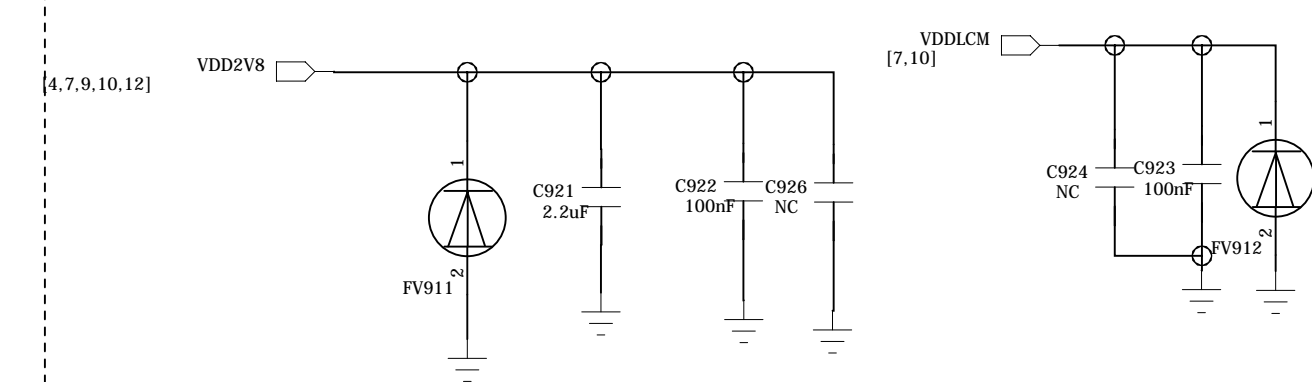
LCD



VENDOR	PART NUM	DRIVER IC	BL LIGHT
YAHSI	YT40F17A6	HL19805-E1	8 LED
BLD	BT040TN02	OTM8009A	8 LED



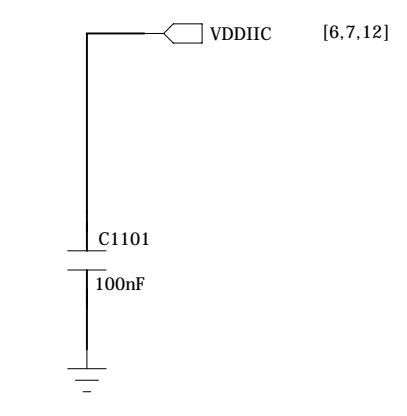
LCD CAMERA /LCD EMI (EMI) MIPI 1/2 0.2 0.2 0.2 capacitance should be low



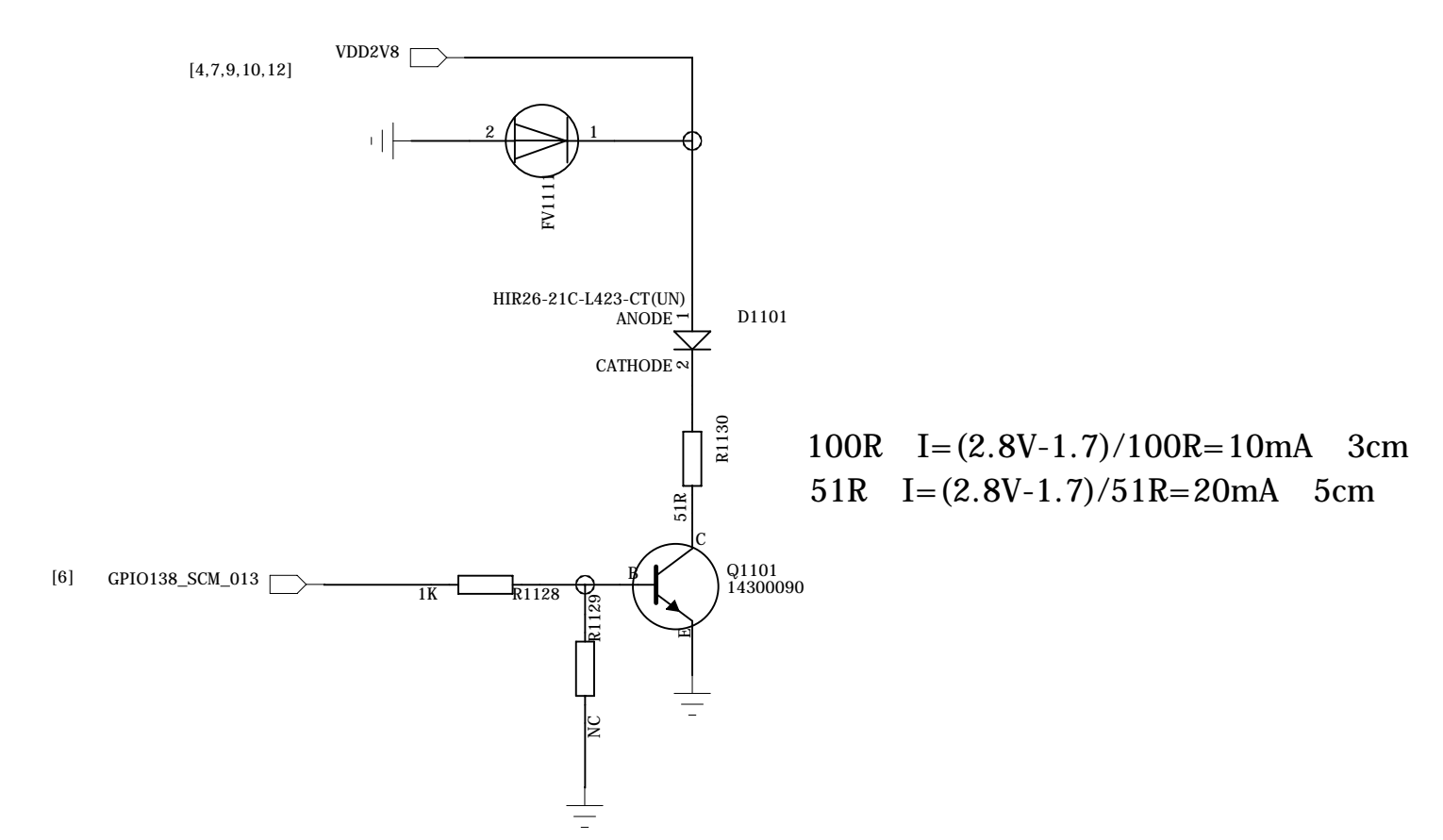
TITLE & REV		
DOCUMENT NO.		
DESIGNER:	DATE:	DEPARTMENT:
EQA:	DATE:	COMPANY:
APPROVED:	DATE:	CONFIDENTIAL AND PROPRIETARY

REVISION RECORD			
ITR	REV NO.	APPROVED	DATE

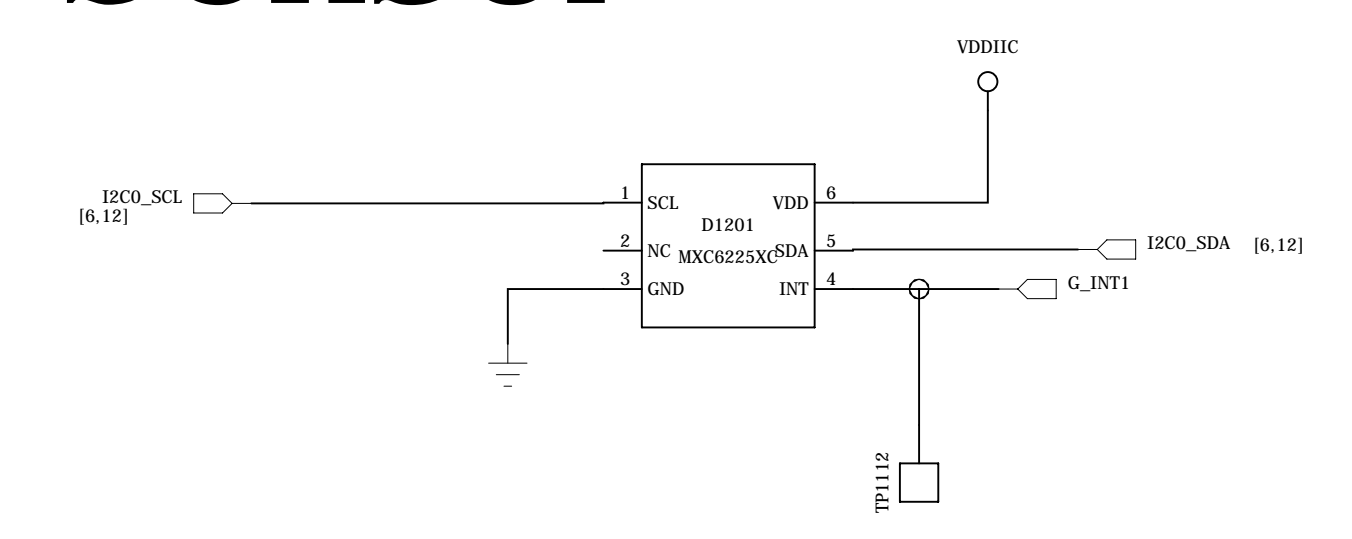
G-Sensor



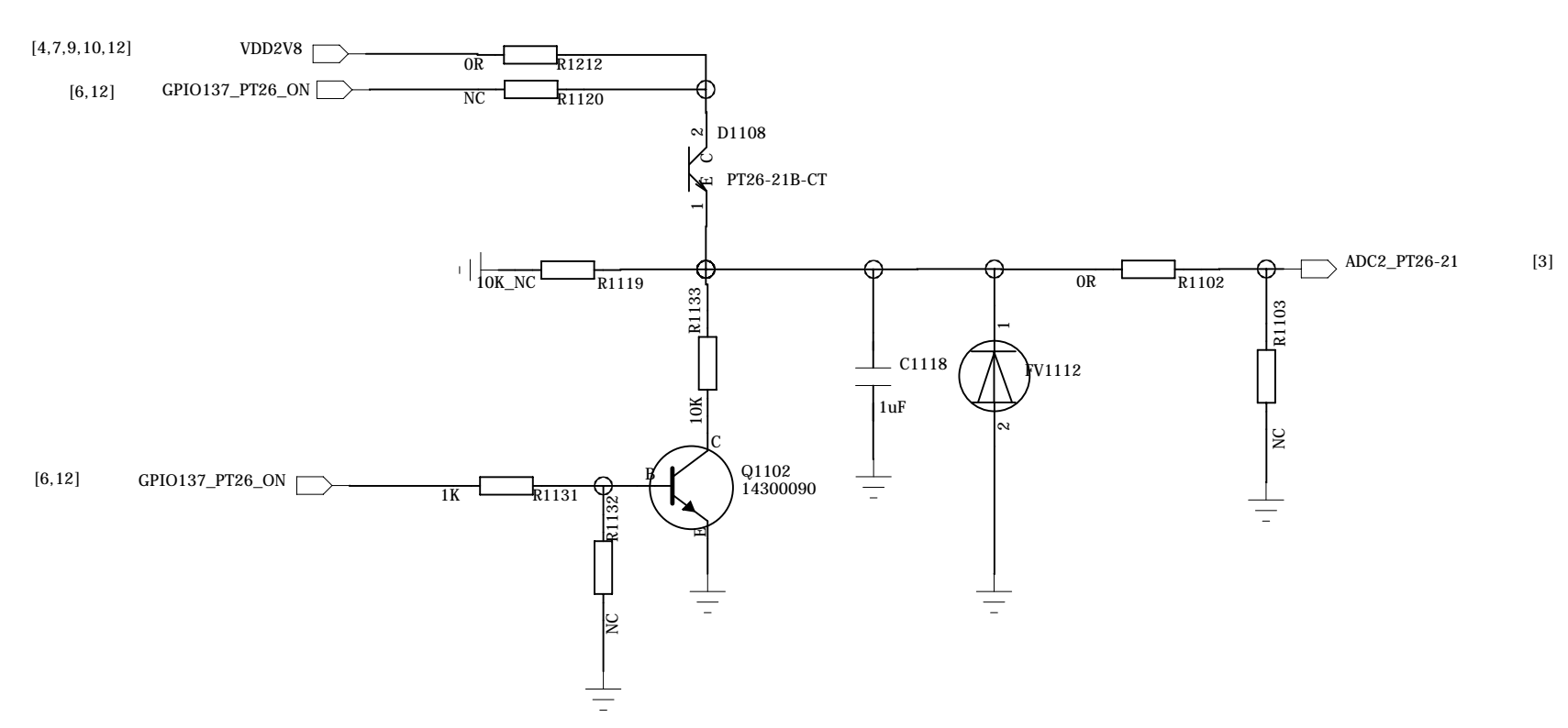
T



G-Sensor

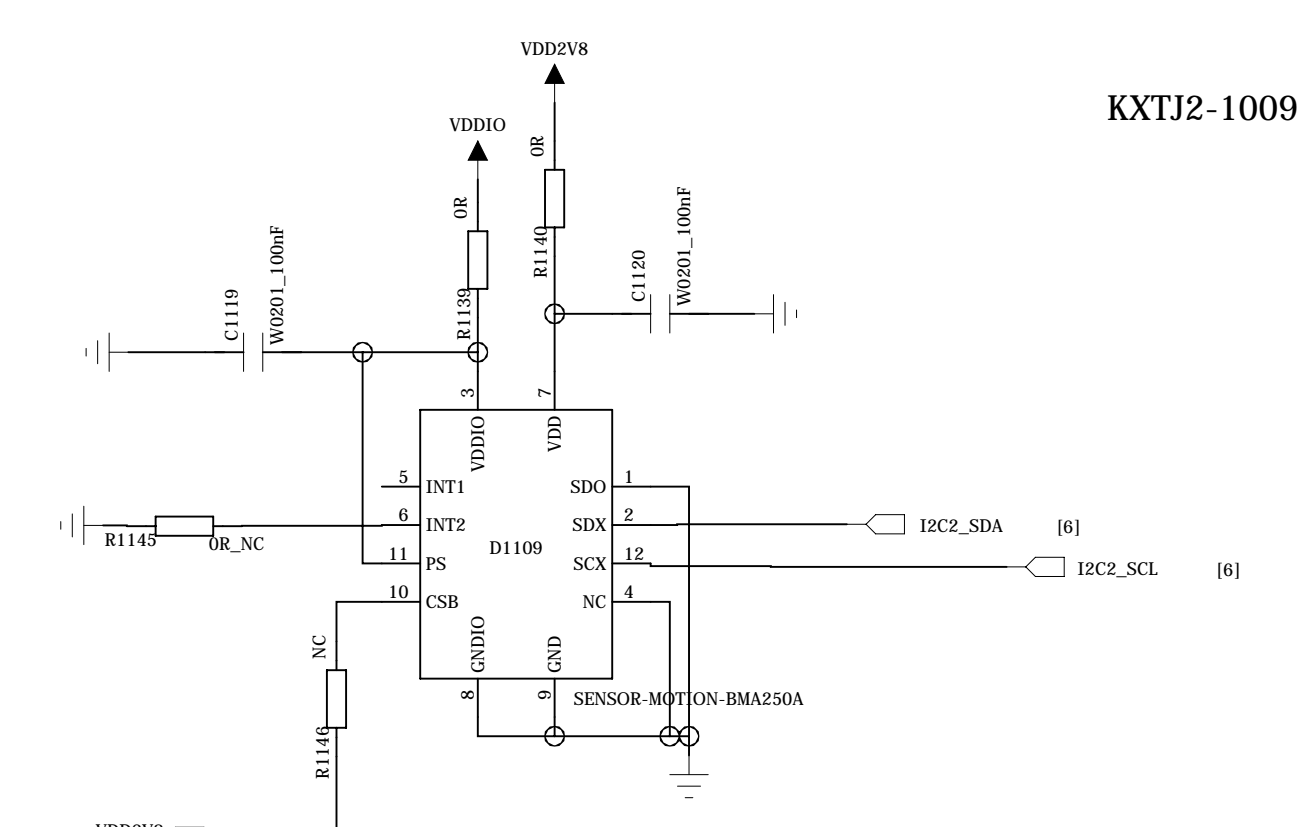


R



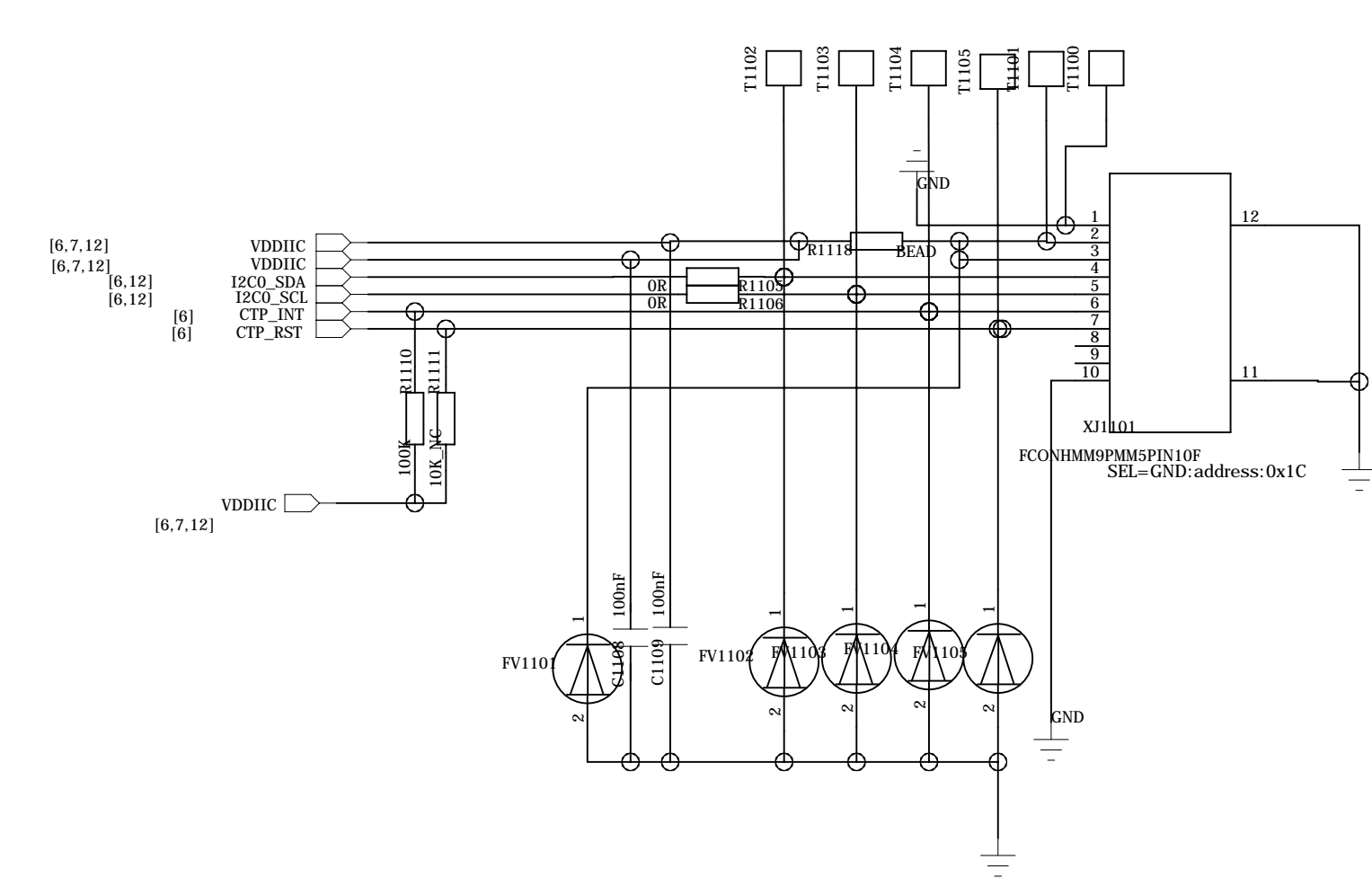
G-Sensor

KXTJ2-1009



PS= 1: IIC
IIC ADDRSS is 0x18H
power down(communicating). I = 0.5uA

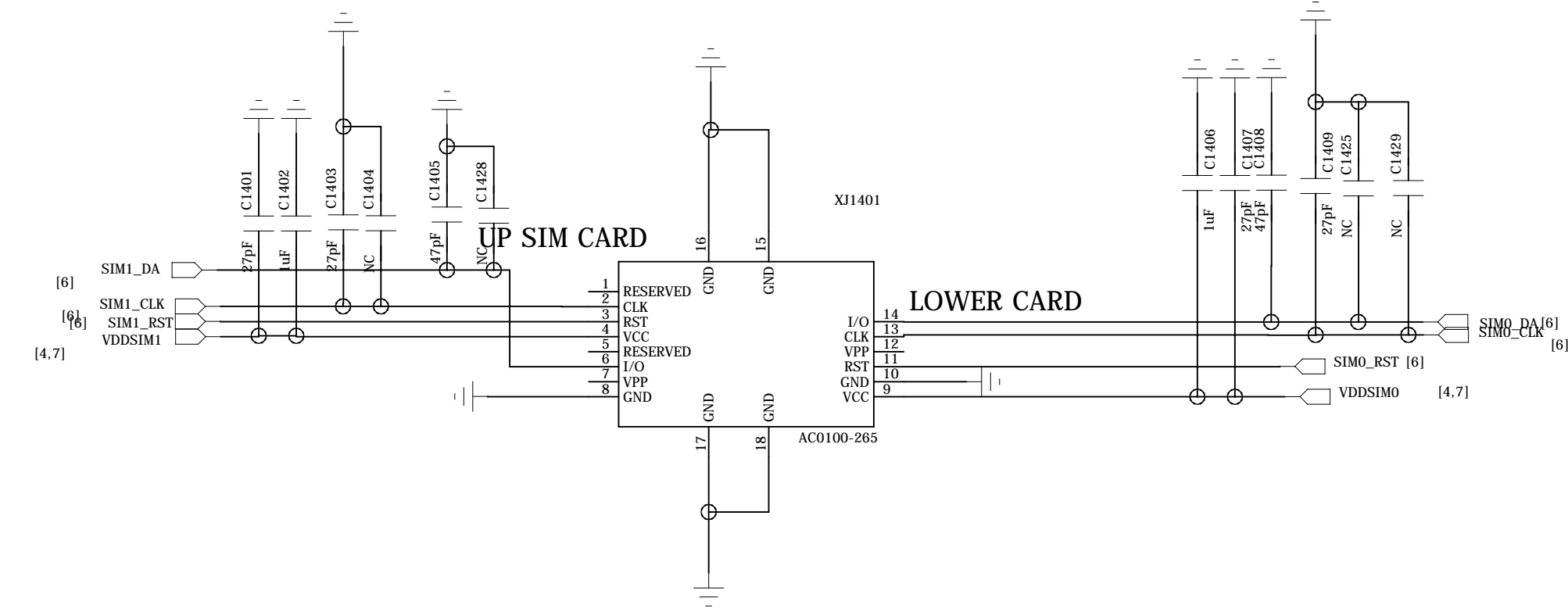
Capacitive Touch Panel



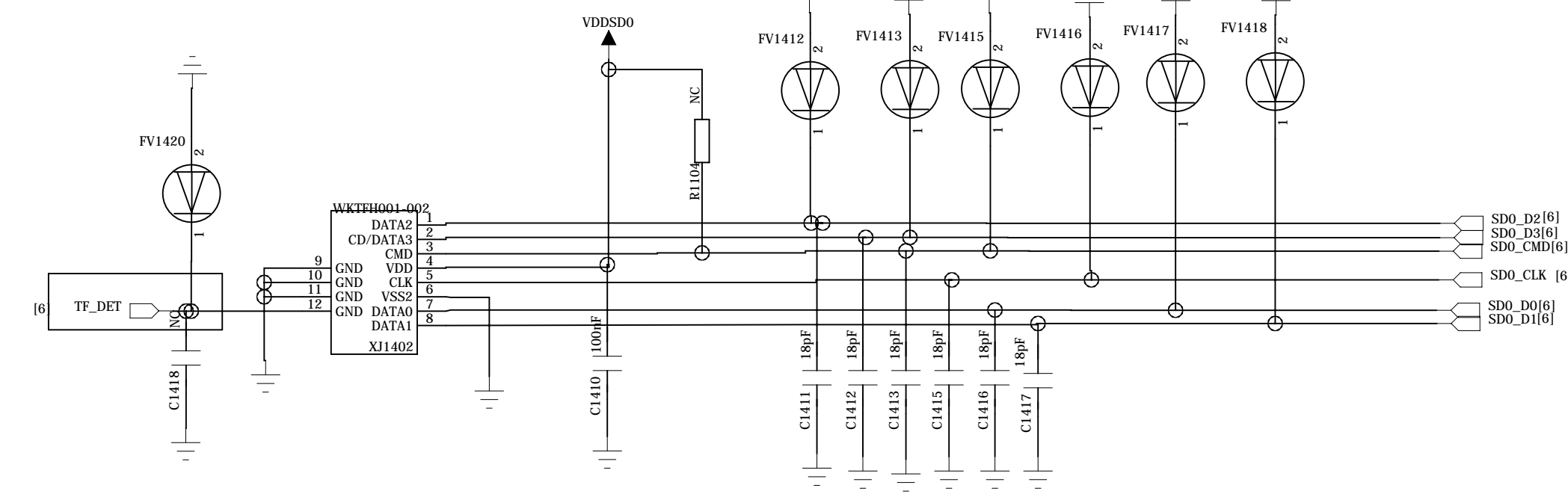
DRAWN		DATE		COMPANY:		DRAWING NO.		REV.	
<Drawn By>		<Drawn Date>		<Company Name>		A0<Drawing Number>		Revision>	
CHECKED		DATE		TITLE:		CODE		SIZE	
<Checked By>		<Checked Date>		<Title>		A0<Drawing Number>		Revision>	
QUALITY CONTROL		DATE		SCALE		SCALE		SHEET	
<QC By>		<QC Date>		<Scale>		<Scale>		18 18	
RELEASED		DATE		SCALE		SCALE		SHEET	
<Released By>		<Release Date>		<Scale>		<Scale>		18 18	

REVISION RECORD			
LT#	ECO NO.	APPROVED	DATE

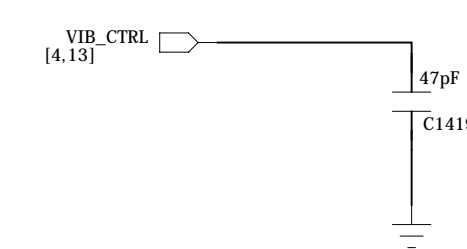
SIM CARD



T_Flash



VIBRATOR



TITLE & REV: SP8825A-1_SCH_V1.0.0

DOCUMENT NO.:

DESIGNER	DATE	DEPARTMENT
Hanan.Qiu	2012-08-14	Hardware DEPT.
EQD	DATE	COMPANY
Vincent.Gao	2012-08-14	Spreadtrum communications, Inc.
APPROVED	DATE	CONFIDENTIAL AND PROPRIETARY
Gang.Xu	2012-08-14	SHEET: 17 OF 28

REVISION RECORD			
REV	ECO NO.	APPROVED	DATE

Change_Note

V1.0.0

D

D

C

C

B

B

A

A

DESIGNER: xiaofeng.yuan		DATE: 2012-09-03	TITLE & REV: AT720A	
RQA:		DATE: 2012-08-14	DOCUMENT NO.:	
APPROVED:		DATE: 2012-08-14	DEPARTMENT: Hardware DEPT.	
			COMPANY: LQ, Inc.	
			CONFIDENTIAL AND PROPRIETARY	