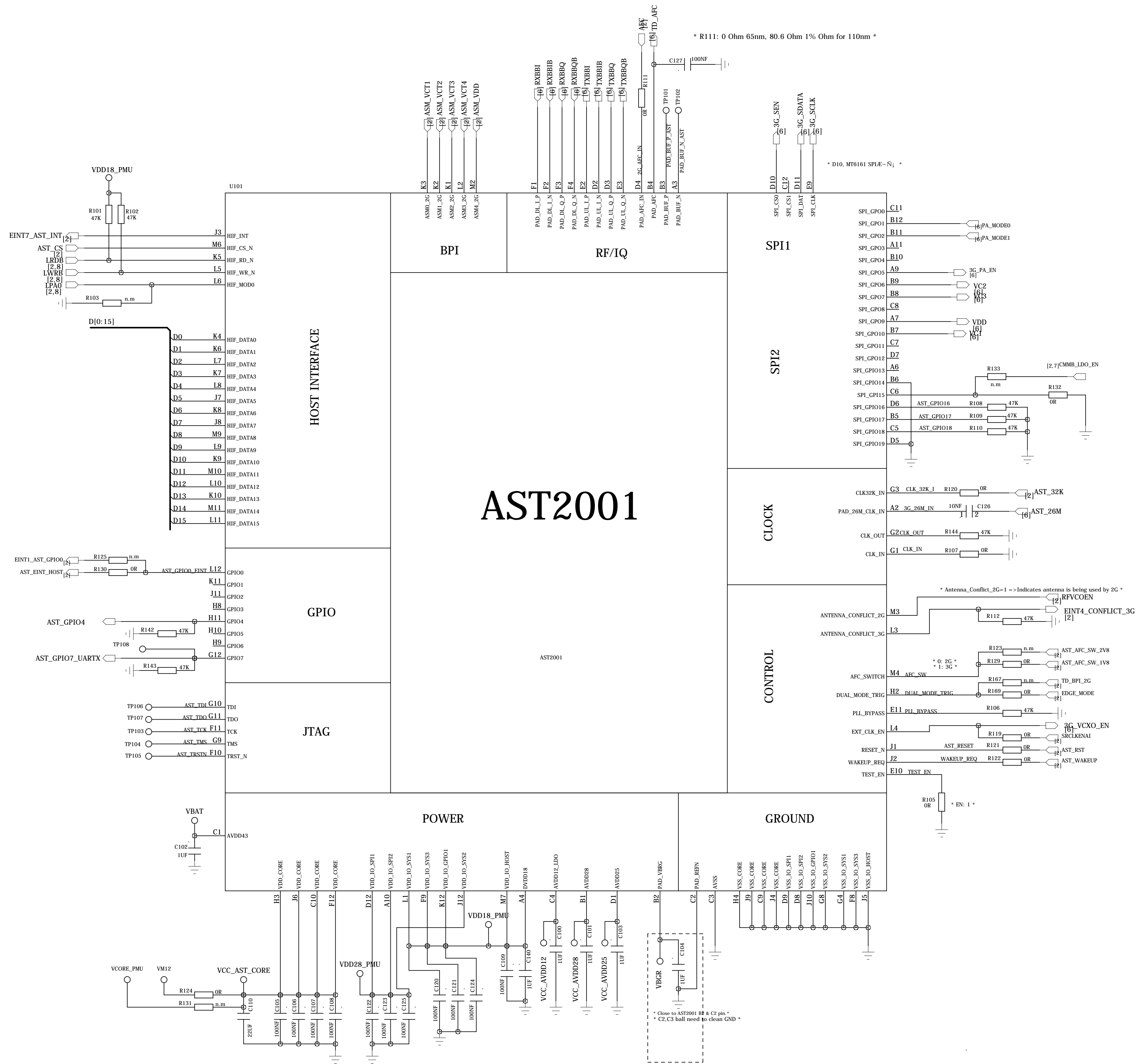


REVISION RECORD			
LTR	ECO NO.	APPROVED:	DATE:

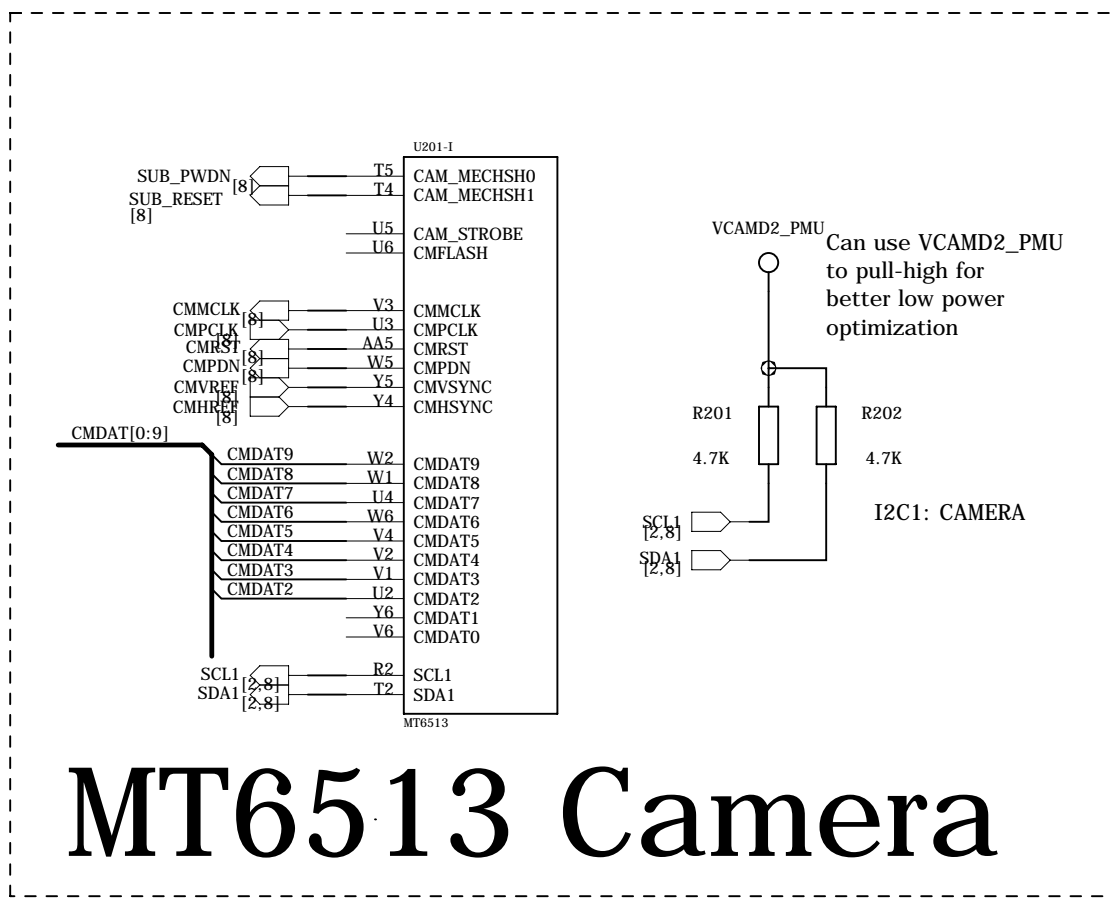


# AST2001

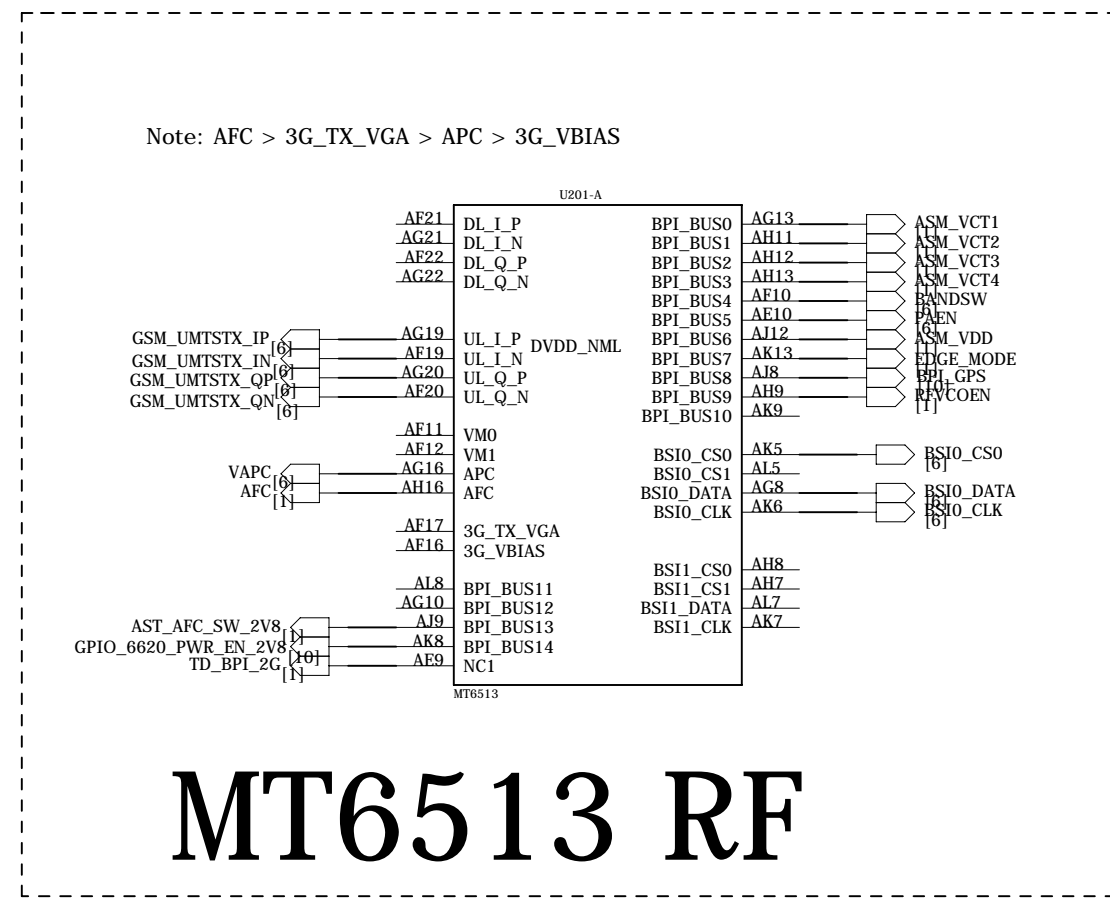
# AST2001

COMPANY: LENOVO MOBILE			
TITLE: A366T_MB_H302			
DRAWN: linfenga	DATED: 2011-11-25	CODE: <Code>	SIZE: D <Drawing Number>
CHECKED: liguo	DATED: <Checked Date>	DRAWING NO: <Code>	REV: V2.1
QUALITY CONTROL: <QC By>	DATED: <QC Date>	SCALE: <Scale>	SHEET: 1 OF 10
RELEASED: <Released By>	DATED: <Release Date>		

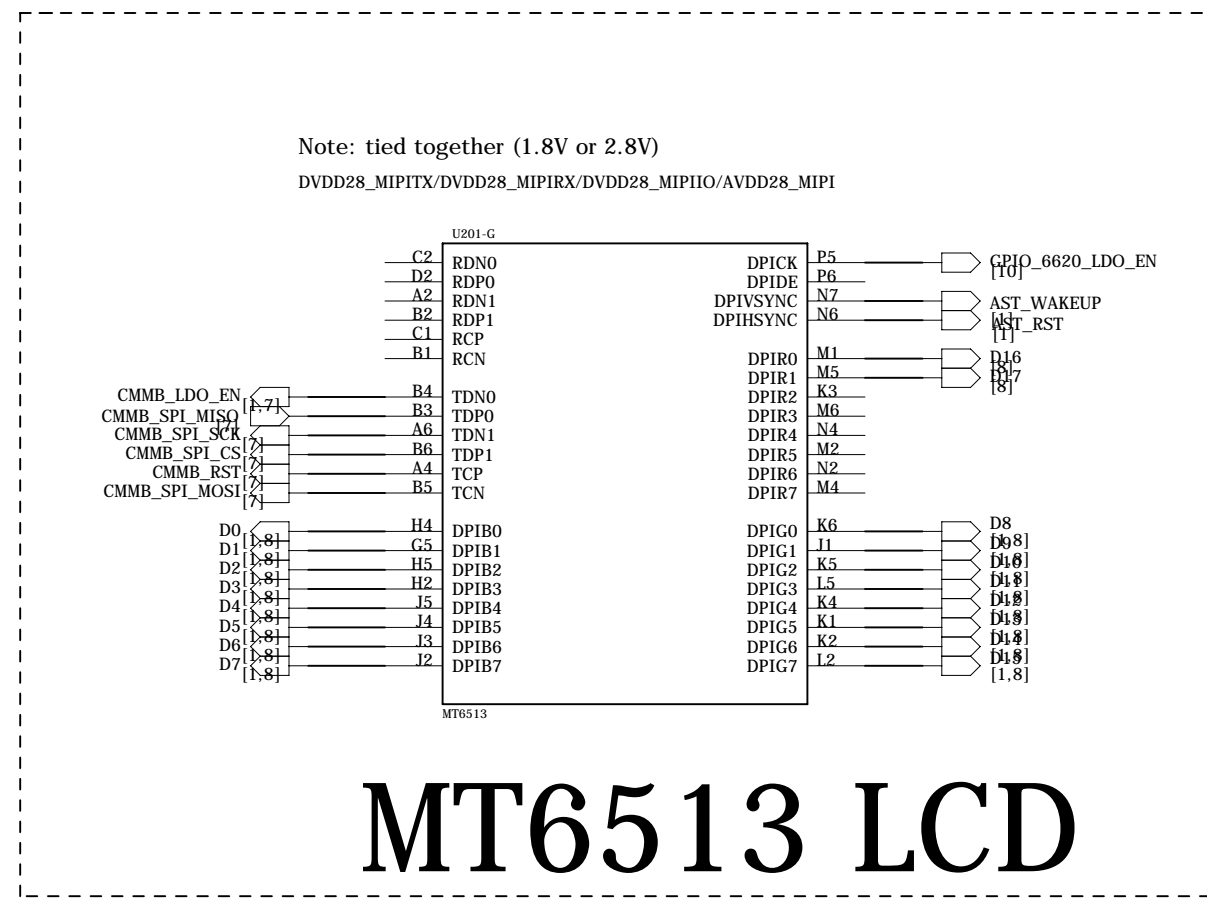
REVISION RECORD			
LTR	ECO NO.	APPROVED:	DATE:



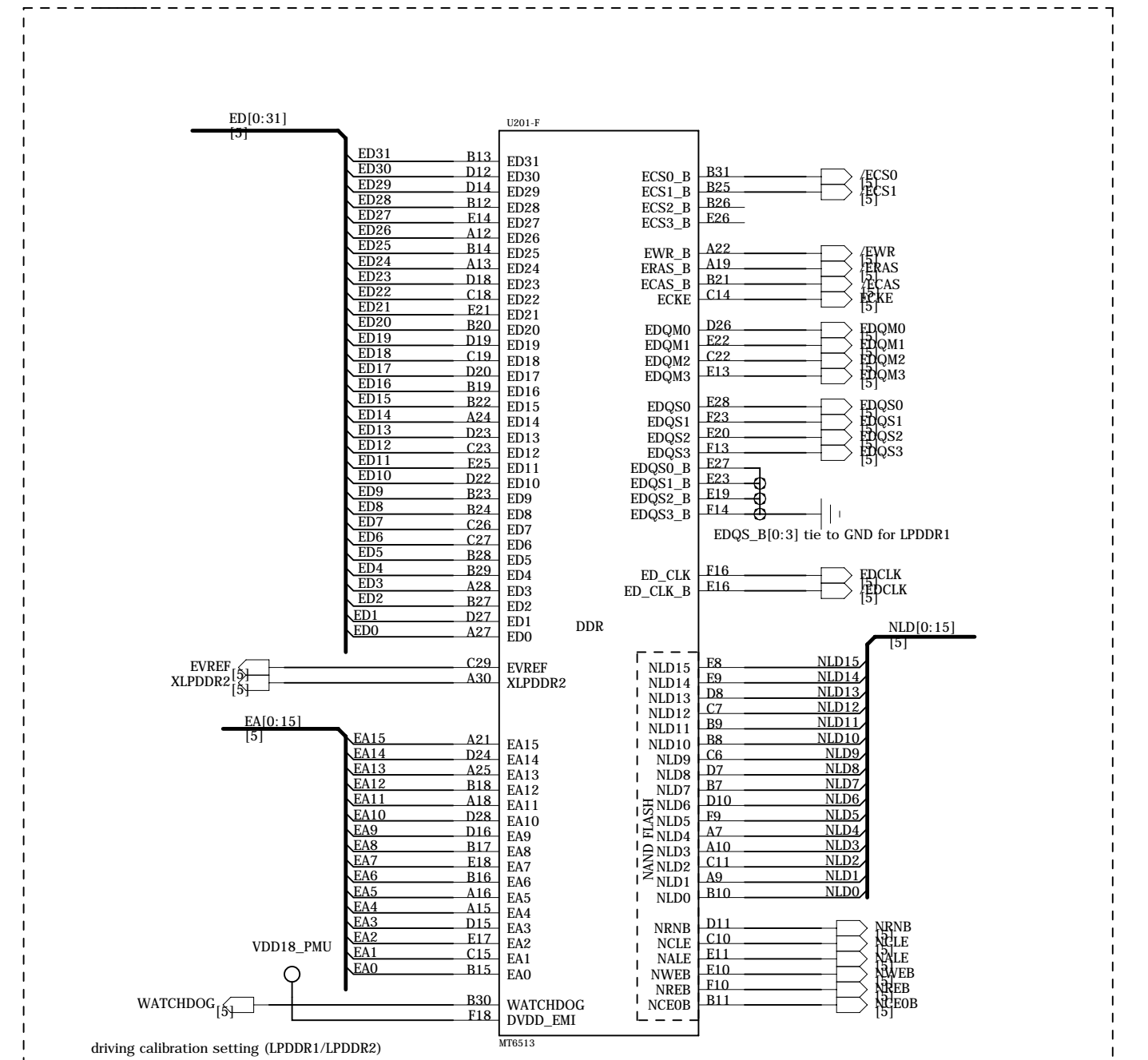
# MT6513 Camera



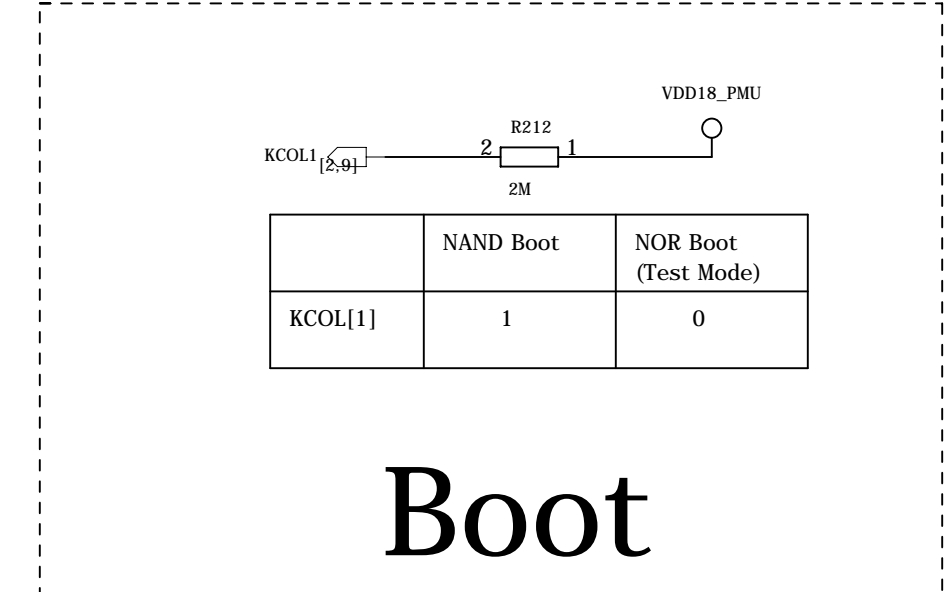
# MT6513 RF



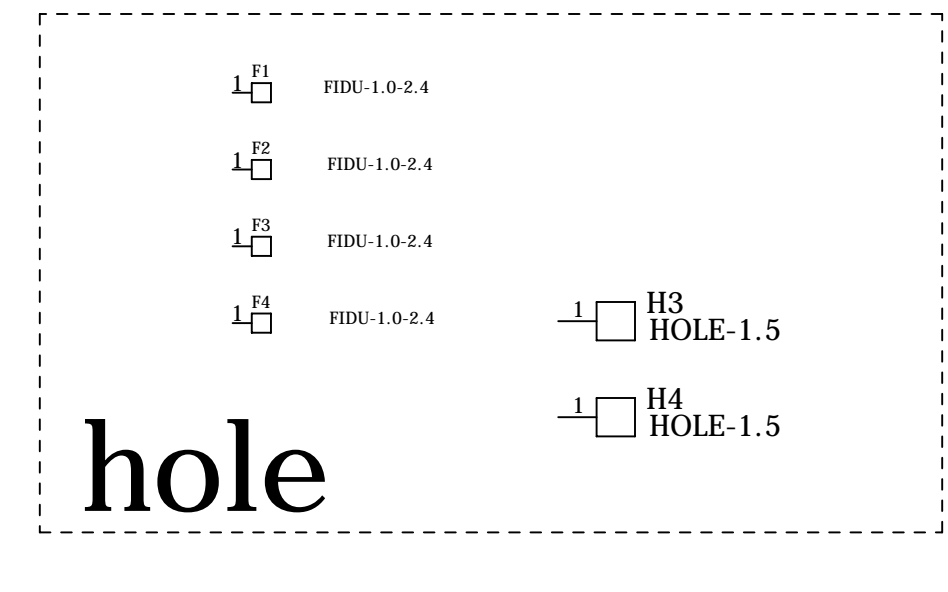
# MT6513 LCD



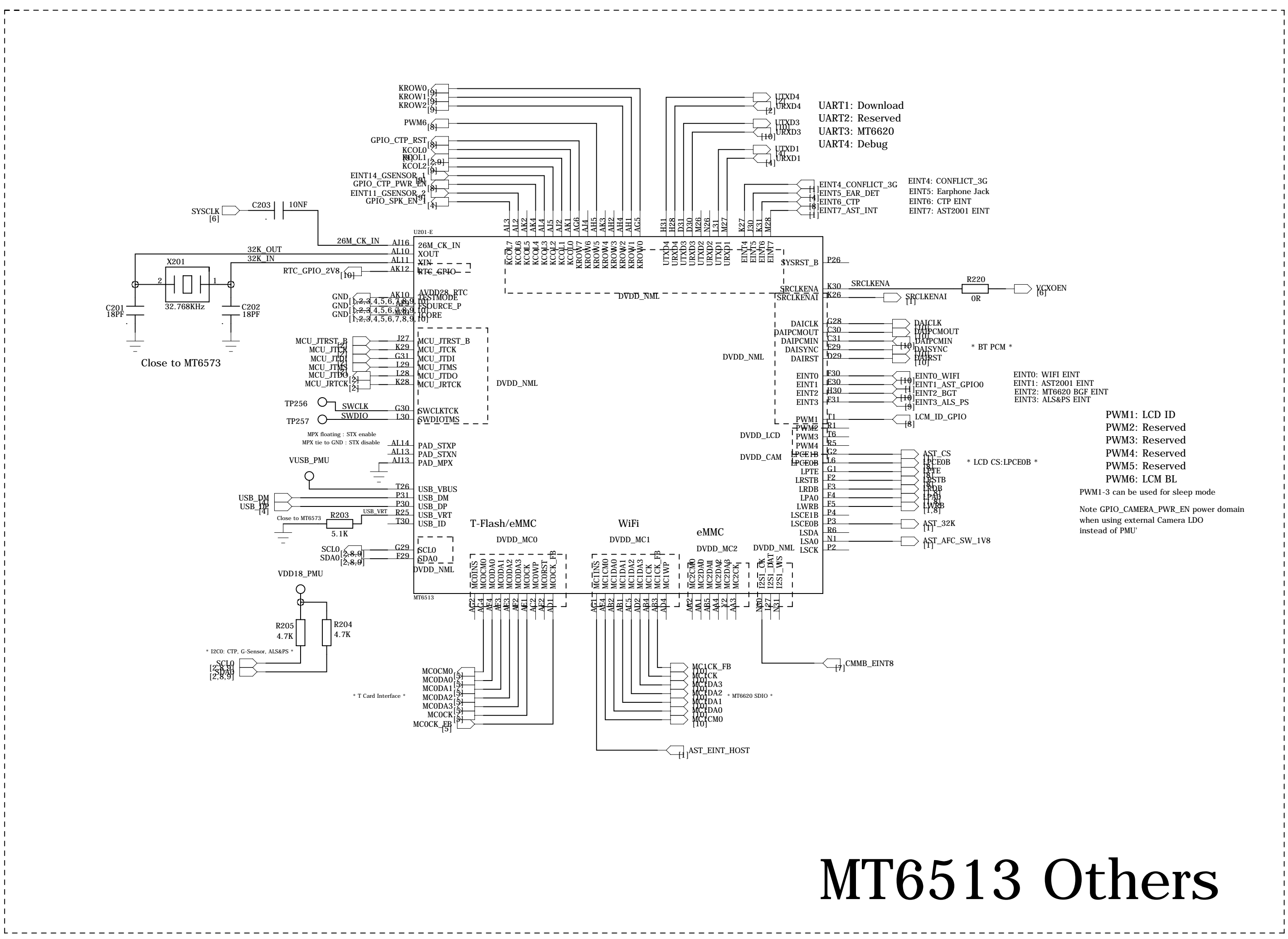
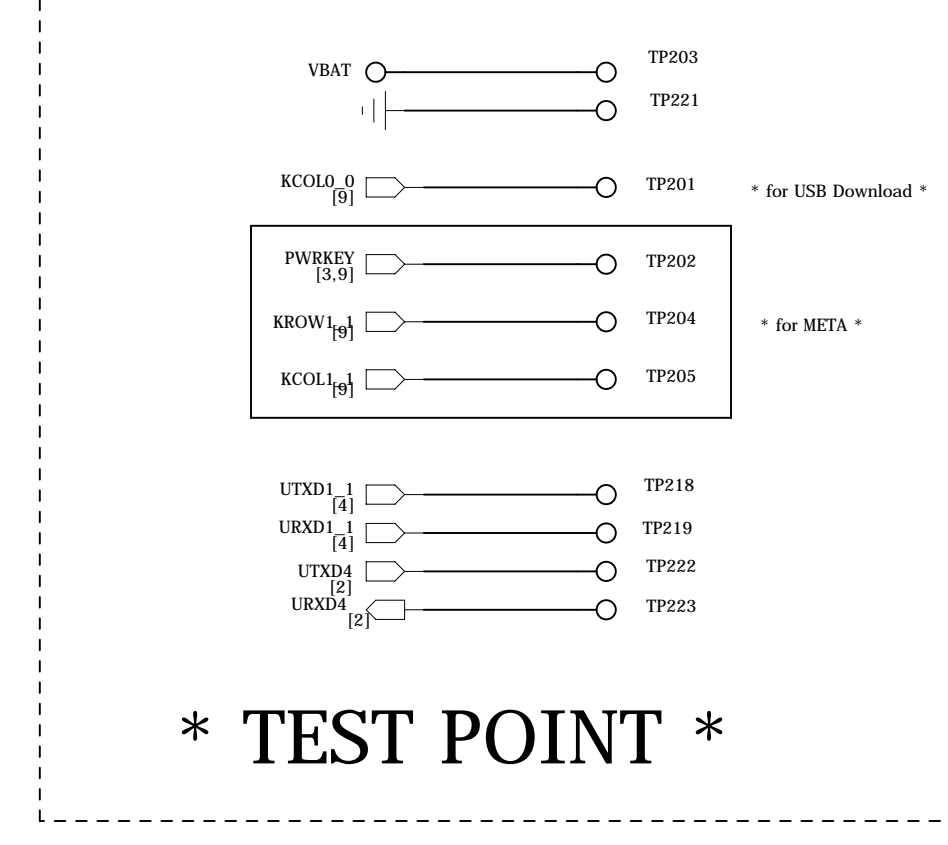
# MT6513 EMI



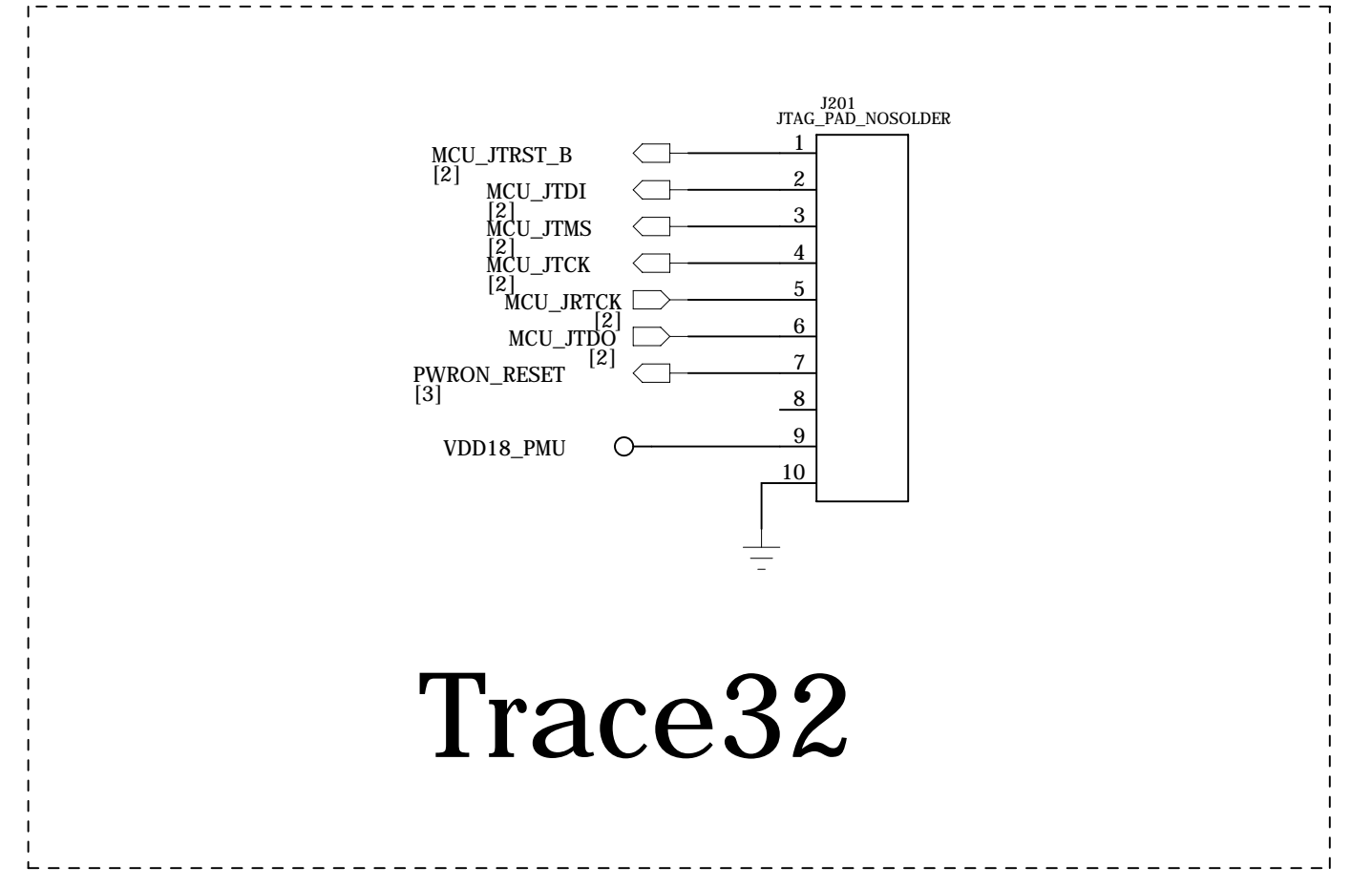
# Boot



# hole



# MT6513 Others



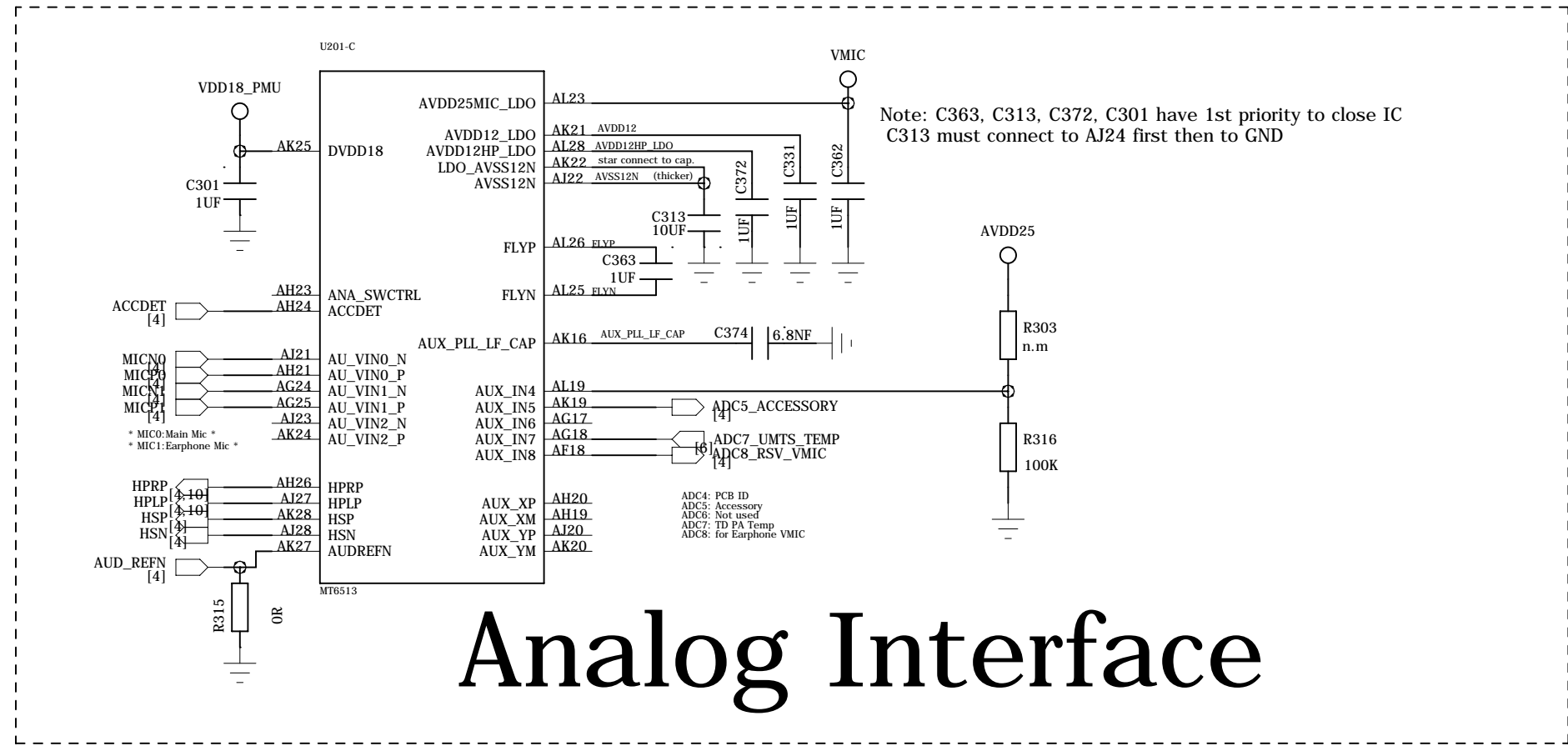
# Trace32

COMPANY:	LENOVOMOBILE
TITLE:	A366T_MB_H302
DRAWN: linfenga	DATED: 2011-11-25
CHECKED: liguo	DATED: <Checked Date>
QUALITY CONTROL: <QC By>	DATED: <QC Date>
RELEASED: <Released By>	DATED: <Release Date>

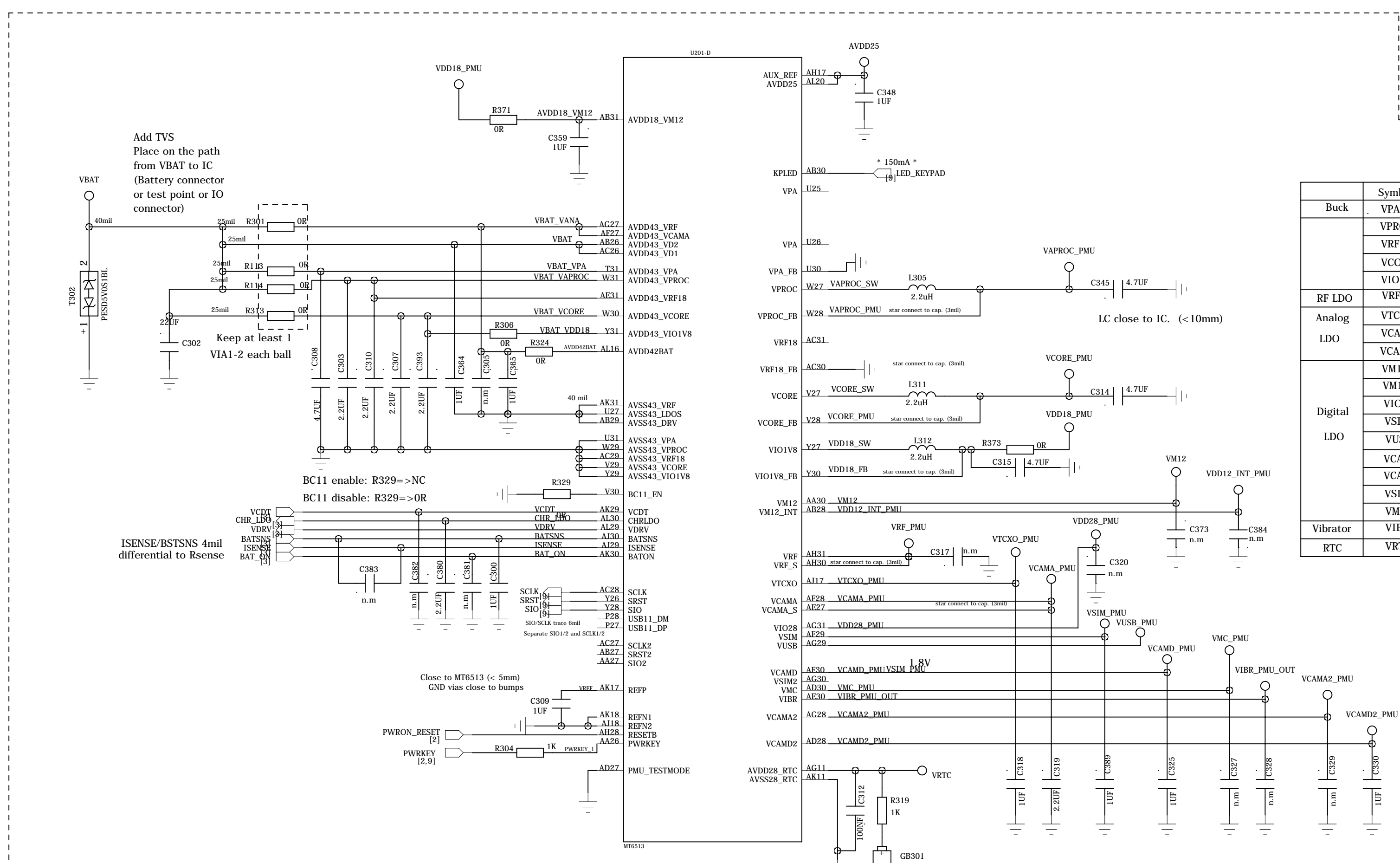
DRAWN: linfenga	DATED: 2011-11-25
CHECKED: liguo	DATED: <Checked Date>
QUALITY CONTROL: <QC By>	DATED: <QC Date>
RELEASED: <Released By>	DATED: <Release Date>

CODE: <Code>	SIZE: <Code>	DRAWING NO: D02_MT6513_- BASEBAN	REV: 2.1
SCALE: <Scale>			SHEET: 2/10

REVISION RECORD			
LTR	ECO NO.	APPROVED:	DATE:

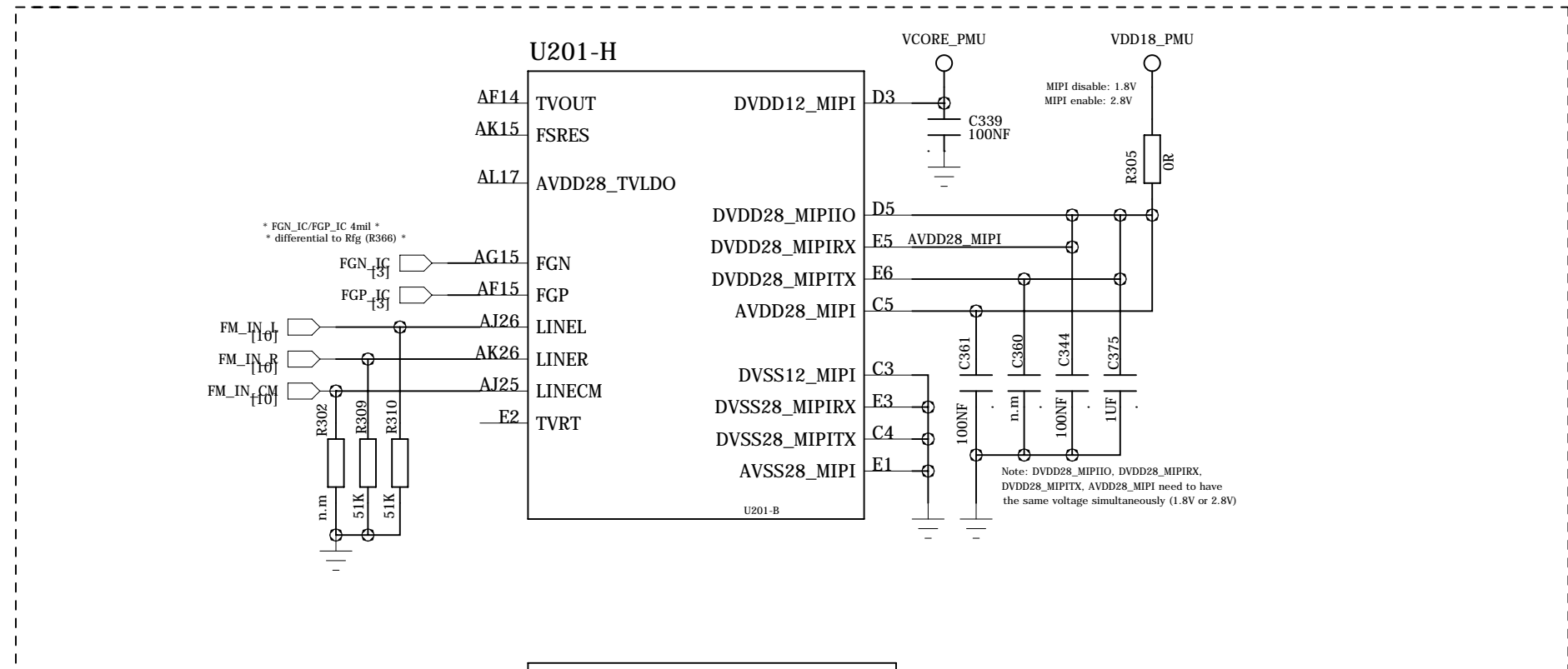
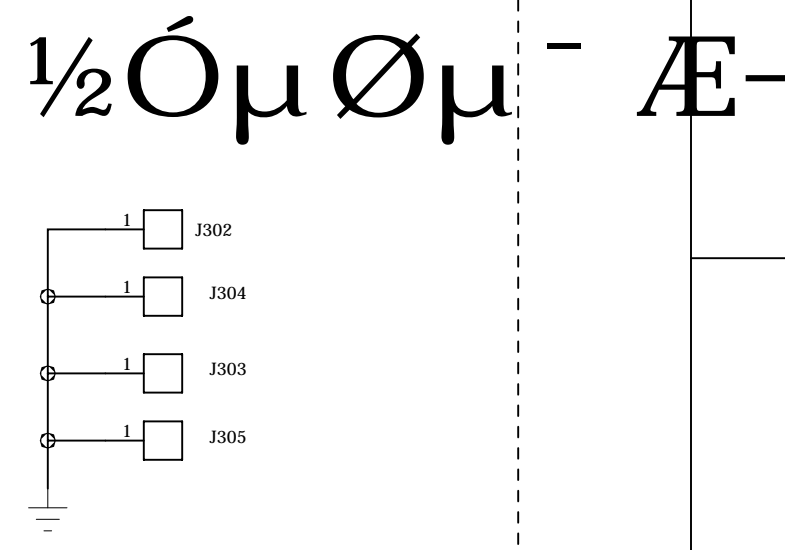


# Analog Interface

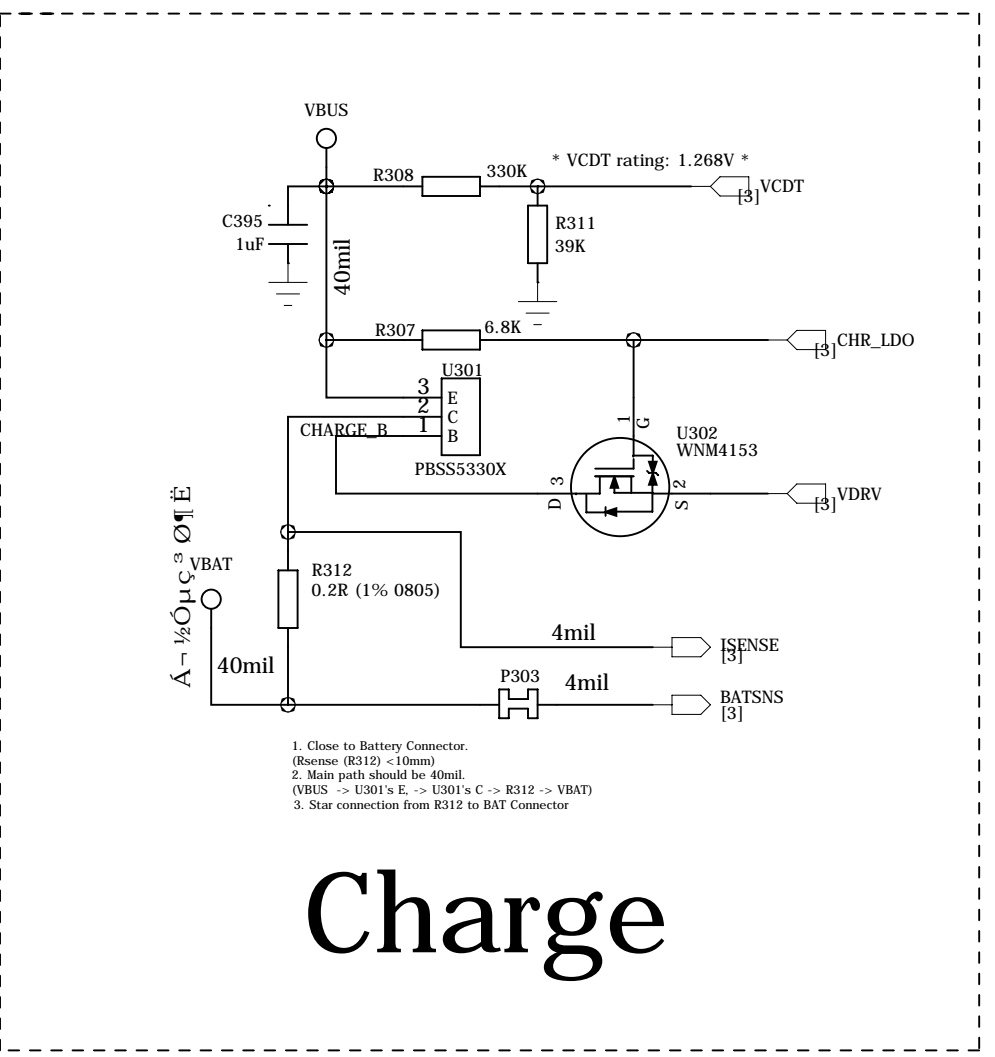
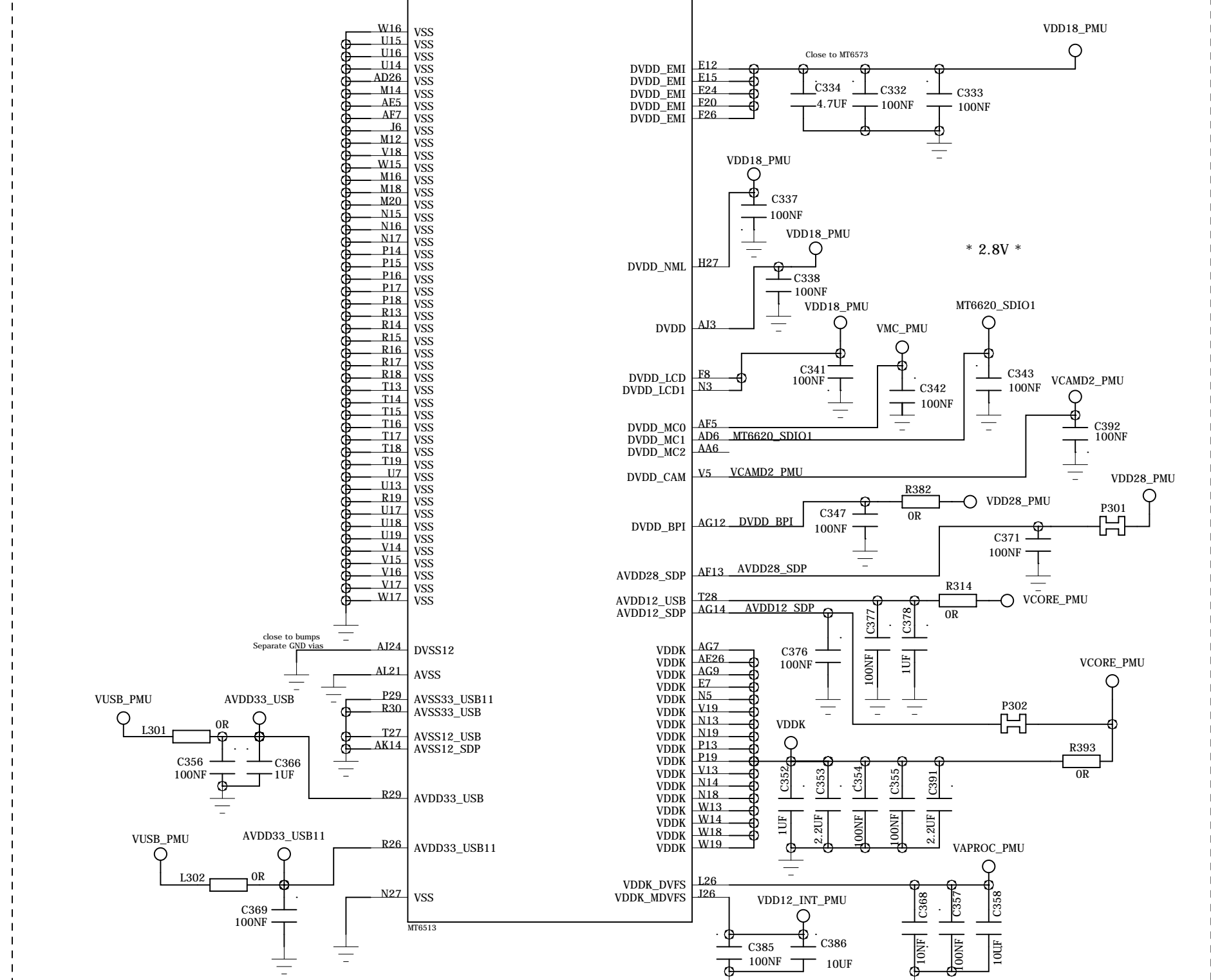


Buck	Symbol	Vout (V)	Iout (mA)
	VPA	0.9 ~ 3.4 with 0.1 step	600
	VPROC	0.85 ~ 1.35	600
	VRF18	1.8	250
	VCORE	1.2	600
	VIO1V8	1.8	600
RF LDO	VRF	2.85	200
Analog LDO	VTCXO	2.8	10
	VCAMA	1.5/1.8/2.5/2.8	250
	VCAMA2	1.5/1.8/2.5/2.8	100
	VM12	1.2	200
Digital LDO	VM2_INT	1.2 ~ 1.35	40
	VI028	2.8	100
	VSIM	1.8/3.0	100
	VUSB	3.3	100
	VCAMD	1.3/1.5/1.8/2.5/2.8/3.0/3.3	100
	VCAMD2	1.3/1.5/1.8/2.5/2.8/3.0/3.3	100
Vibrator	VMC	1.3/1.5/1.8/2.5/2.8/3.0/3.3	200
RTC	VIBR	1.3/1.5/1.8/2.5/2.8/3.0/3.3	200
	VRTC	2.8	1

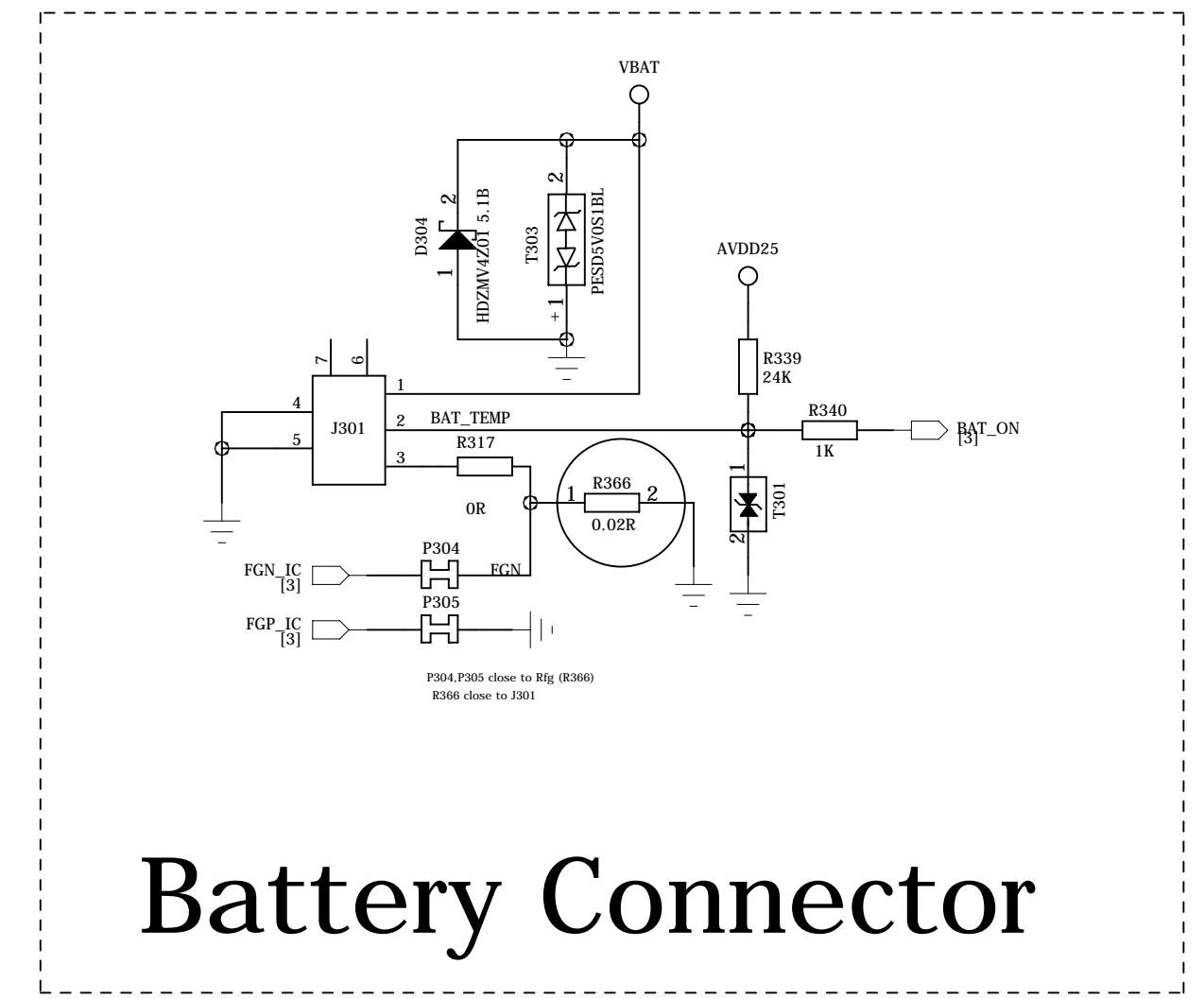
# MT6513 PMU Output



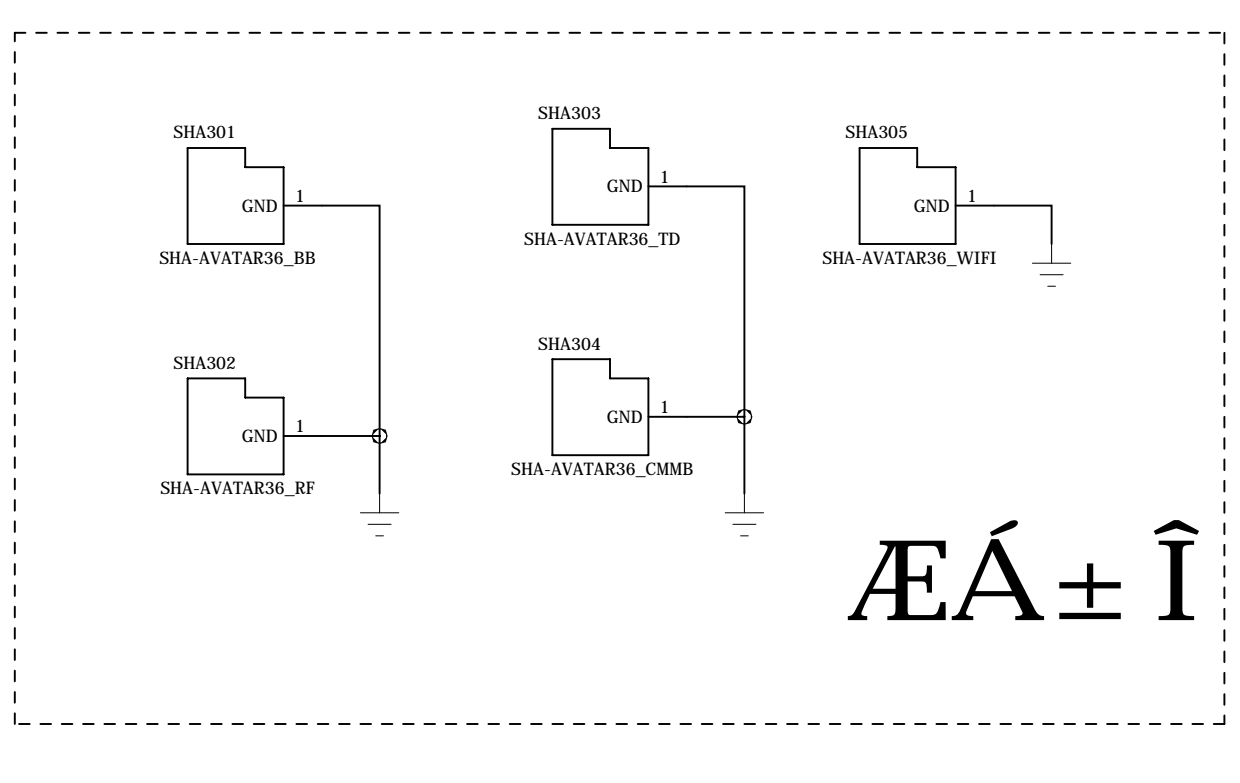
# MT6513 PMU Input



# Charge



# Battery Connector

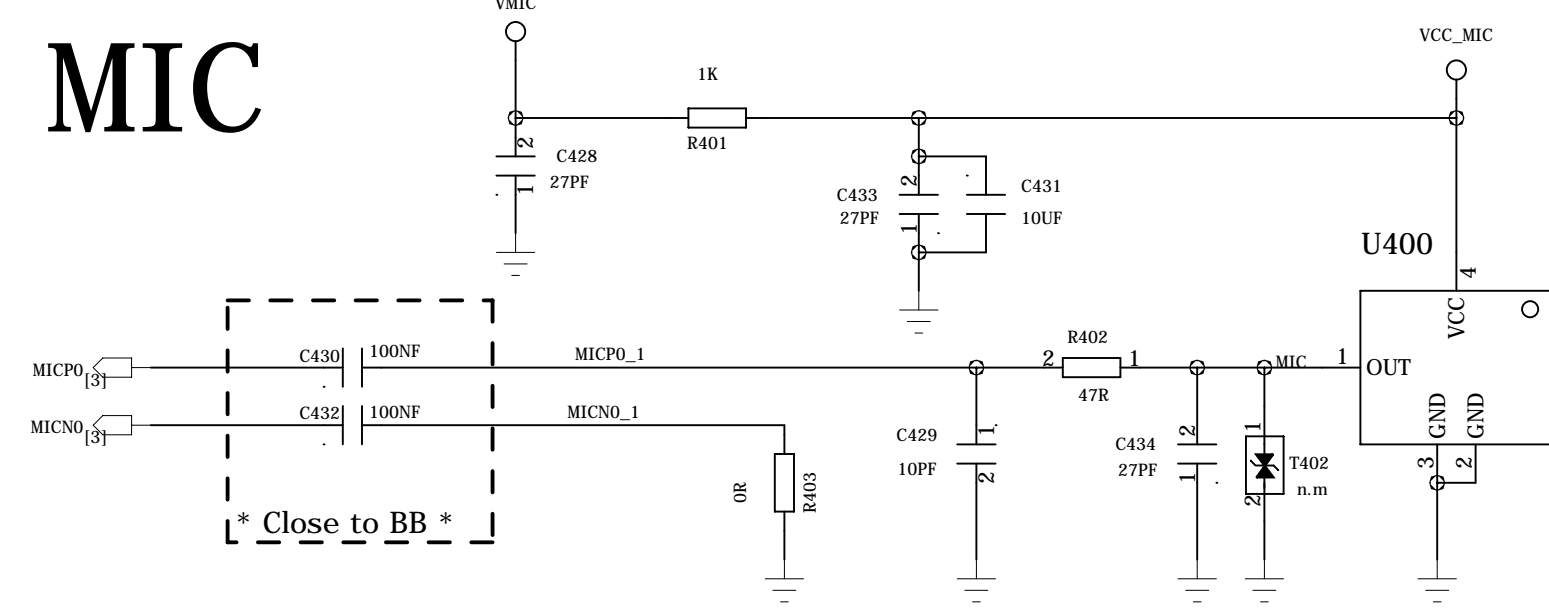


# SHA301-305

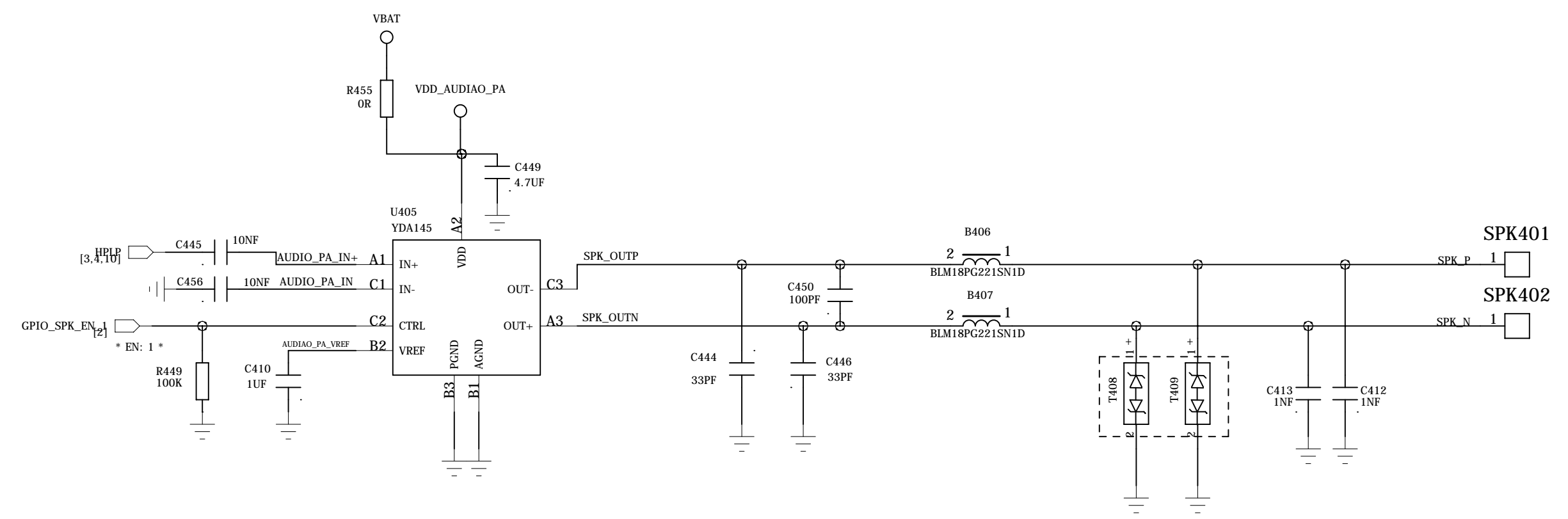
DRAWN: linfenga		DATED: 2011-11-25	
CHECKED: liguo		DATED: <Checked Date>	
QUALITY CONTROL: <QC By>		DATED: <QC Date>	
RELEASED: <Released By>		DATED: <Release Date>	
COMPANY: LENOVO MOBILE		TITLE: A366T_MB_H302	
CODE: <Code>	SIZE: D	DRAWING NO: 03_MT6513_-_POWER_AND_ABB	REV: V2.1
SCALE: <Scale>	SHEET: 3F		10

REVISION RECORD			
L/R	ECO NO.	APPROVED	DATE

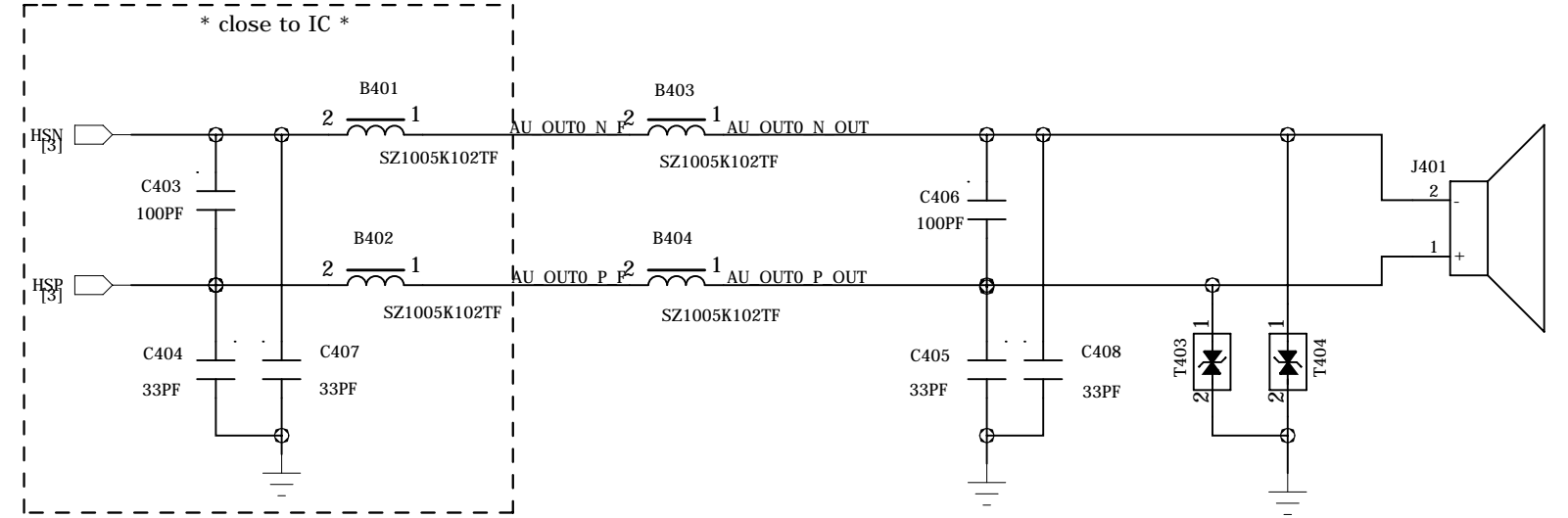
# MIC



\* Close to BB \*

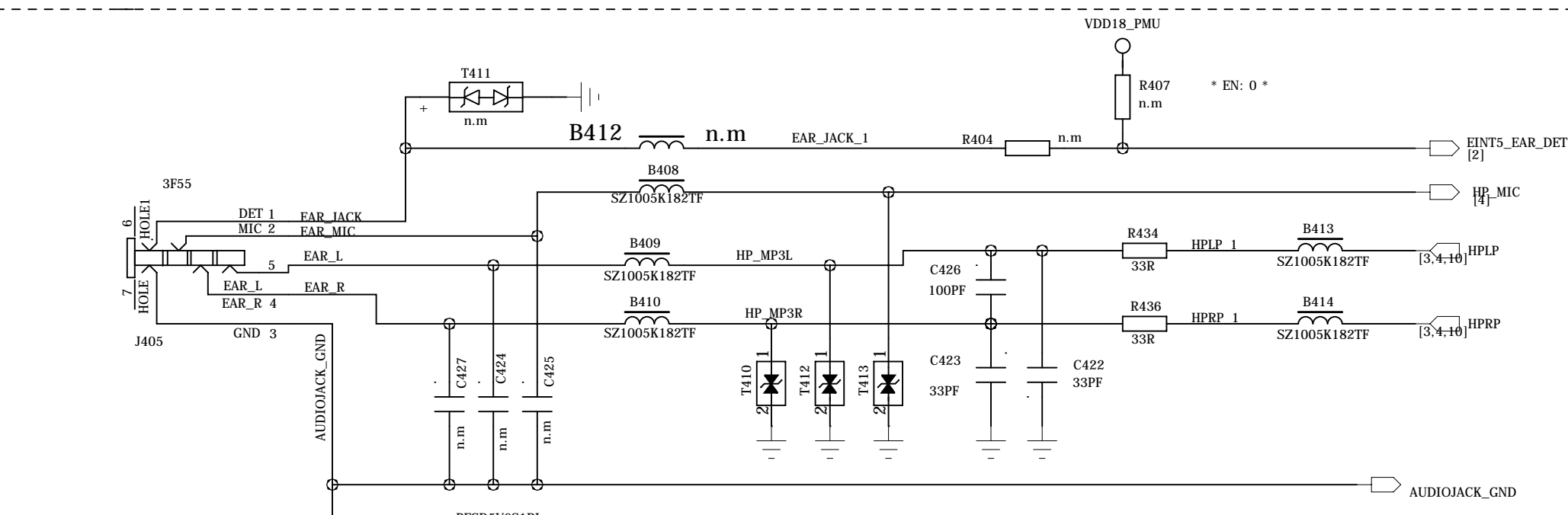


# SPEAKER

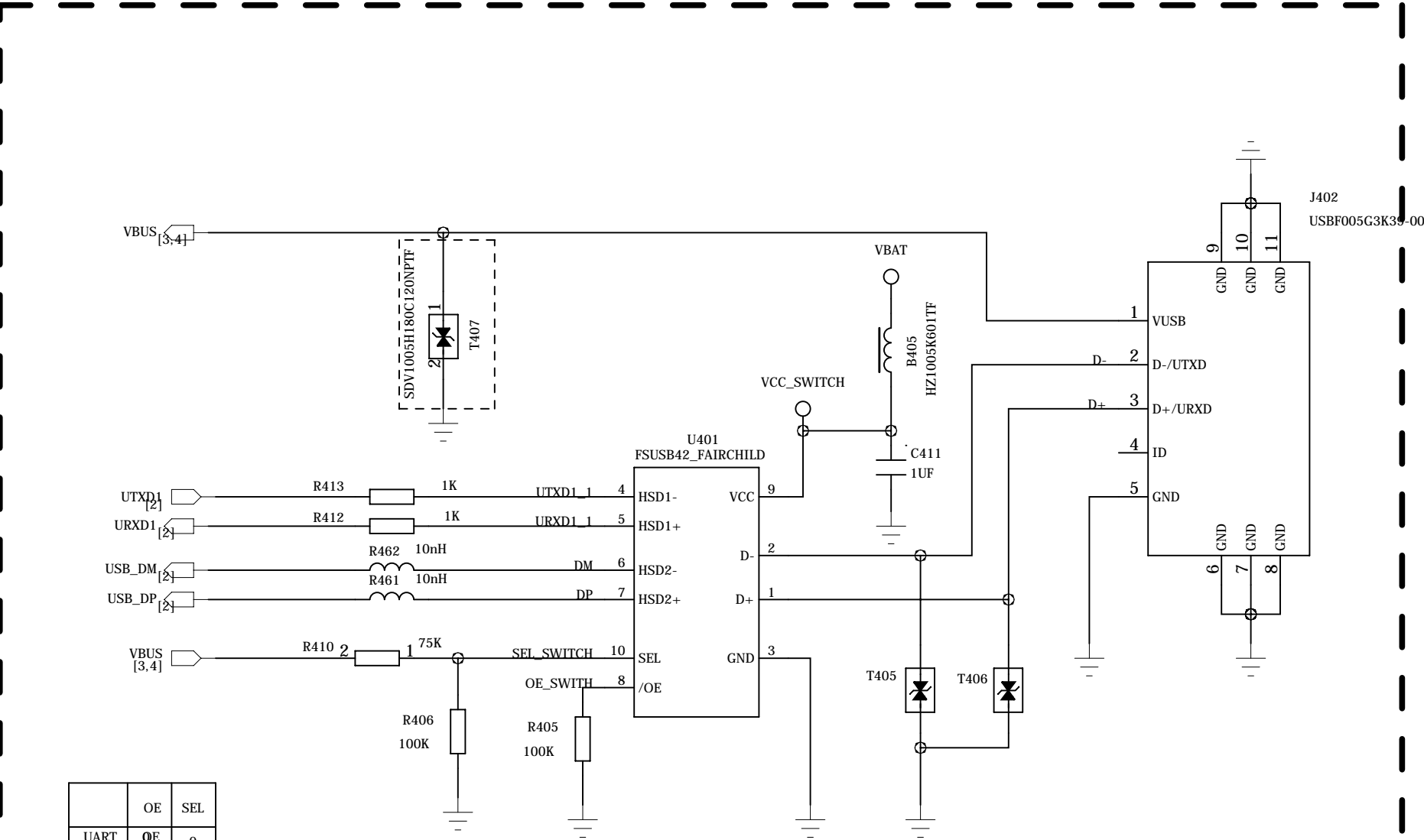


\* close to IC \*

# RECEIVER

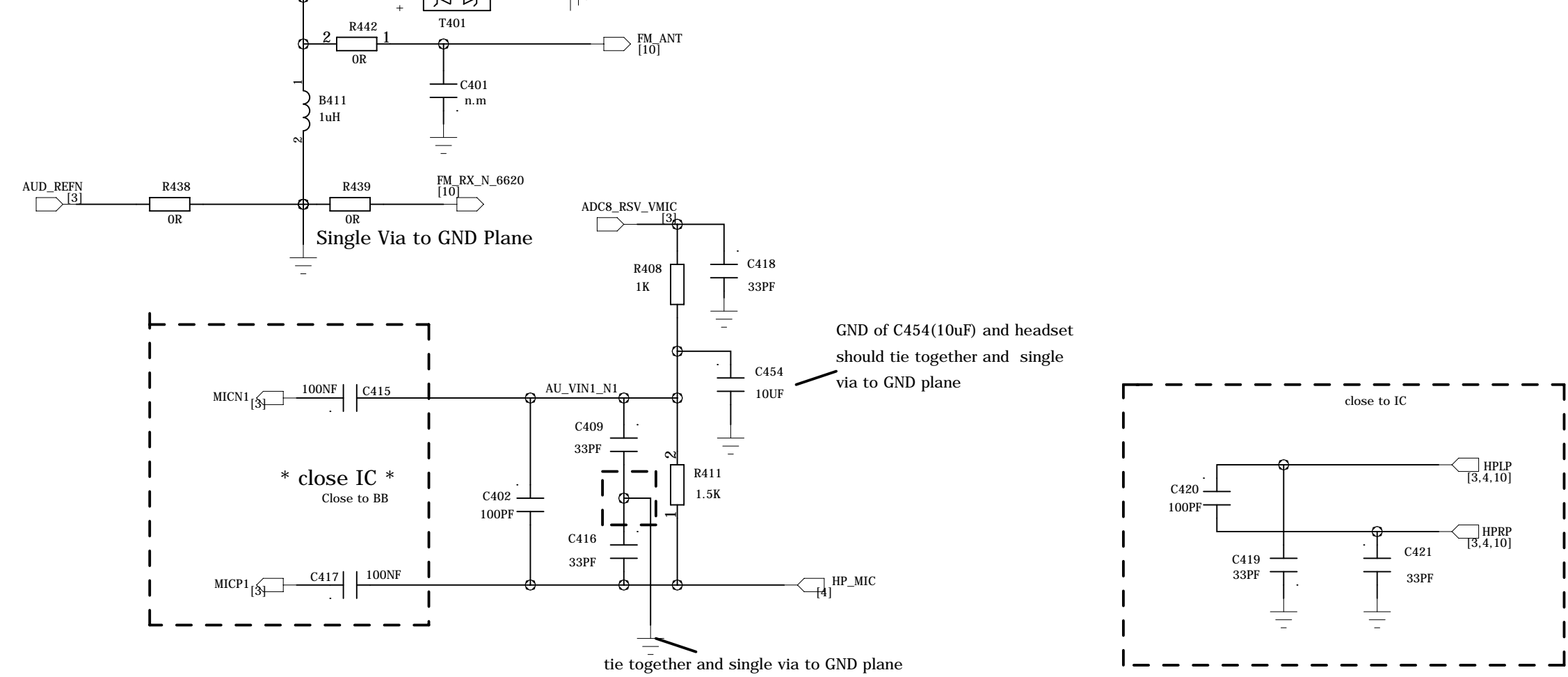


# VIBRATOR



default on : UART1

# IO CONNECTOR



Earphone MICPHONE

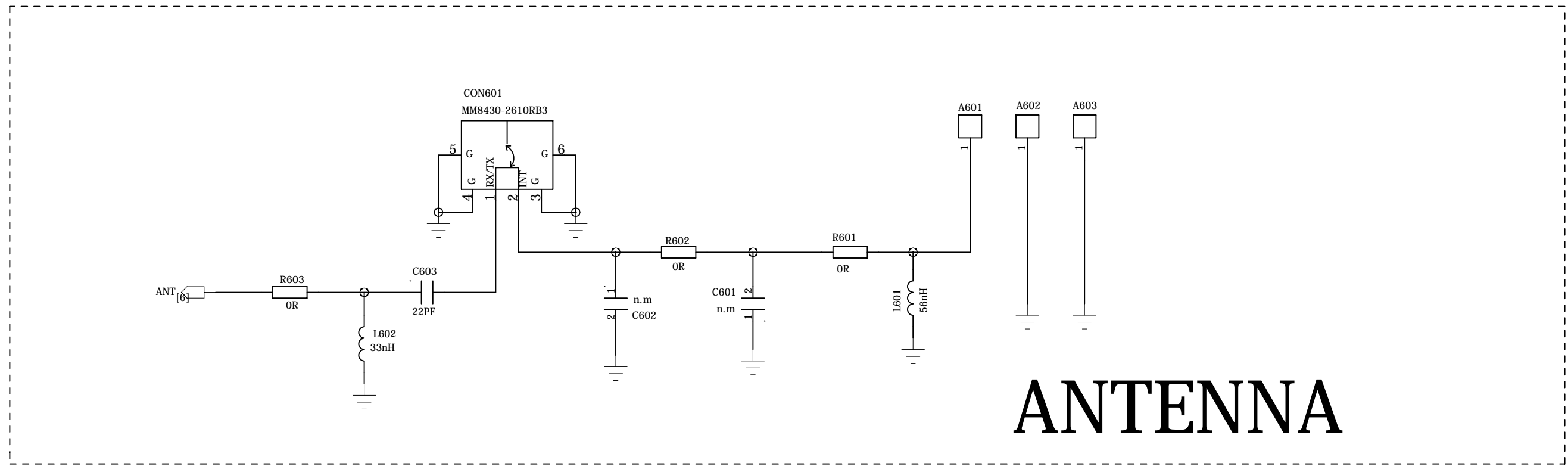
# Earphone RECEIVER

# F3.5 Earphone

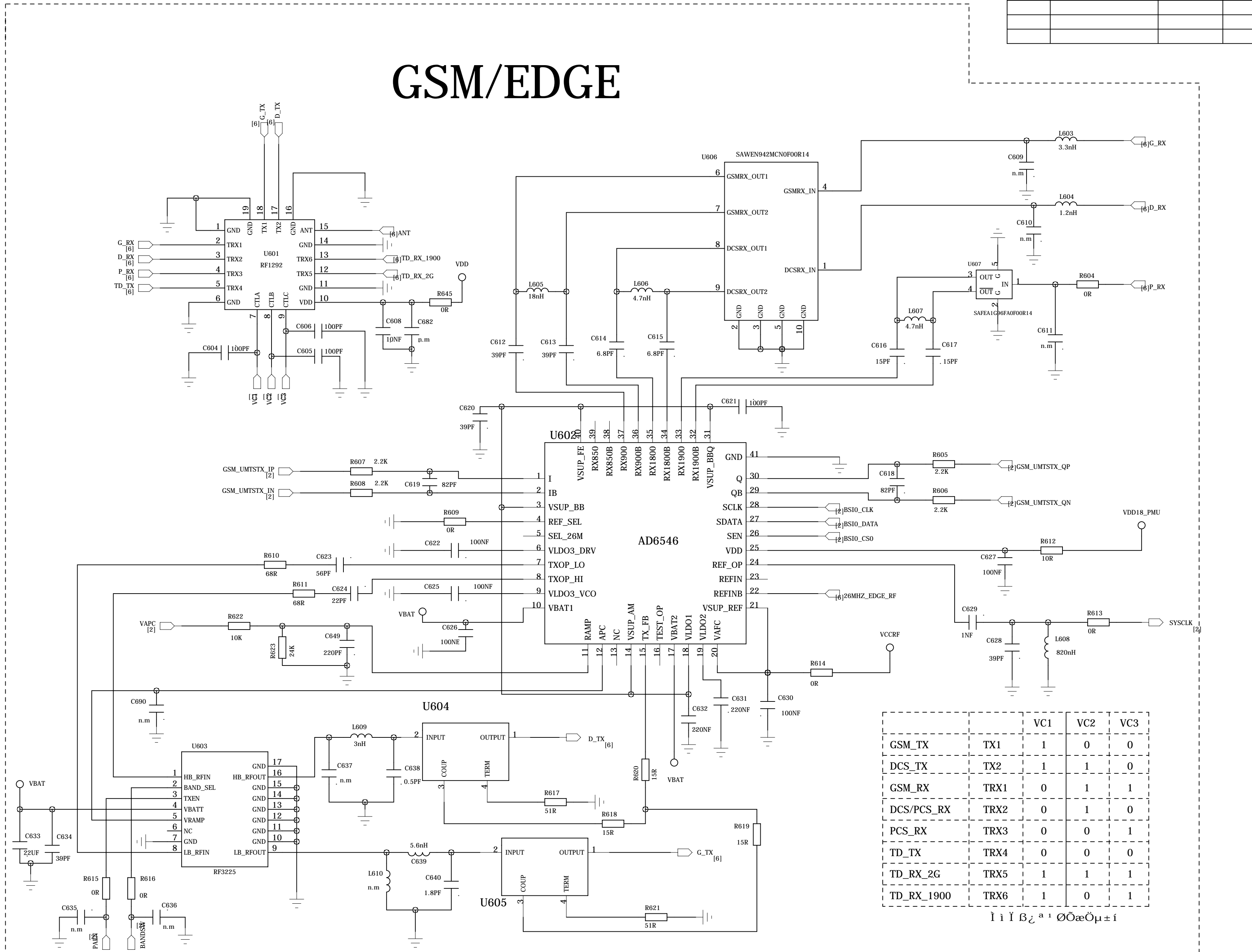
COMPANY:		LENOVOMOBILE		
TITLE:		A366T_MB_H302		
DRAWN:	linfenga	DATED:	2011-11-25	
CHECKED:	liguo	DATED:	<Checked Date>	
QUALITY CONTROL:	<QC By>	DATED:	<QC Date>	
RELEASED:	<Released By>	DATED:	<Release Date>	
SCALE:	<Scale>	CODE:	D	SIZE: 04_AUDIO_I/O_USB/MOTO
SHEET4		OF 10		



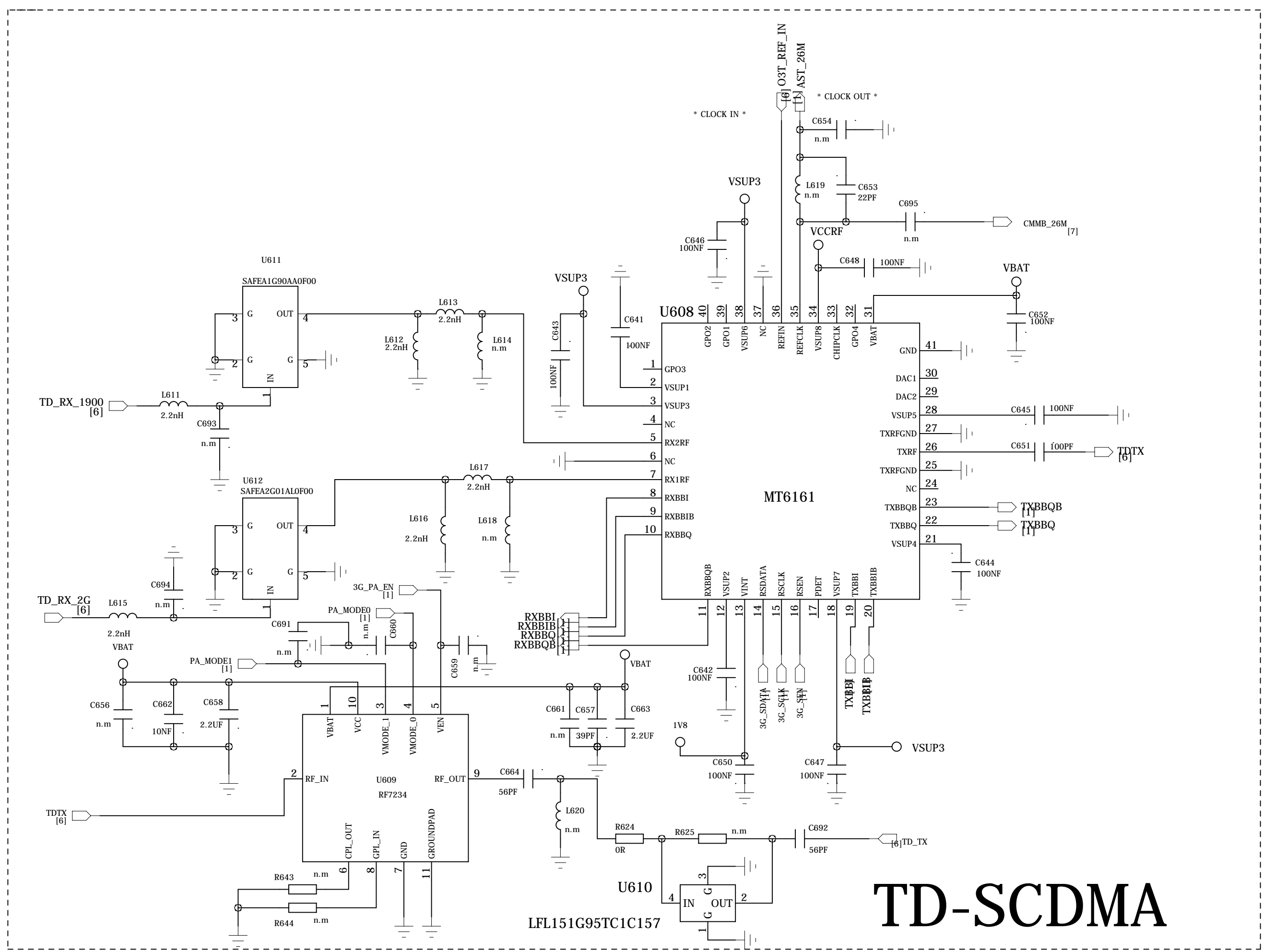
REVISION RECORD			
LTR	ECO NO.	APPROVED	DATE



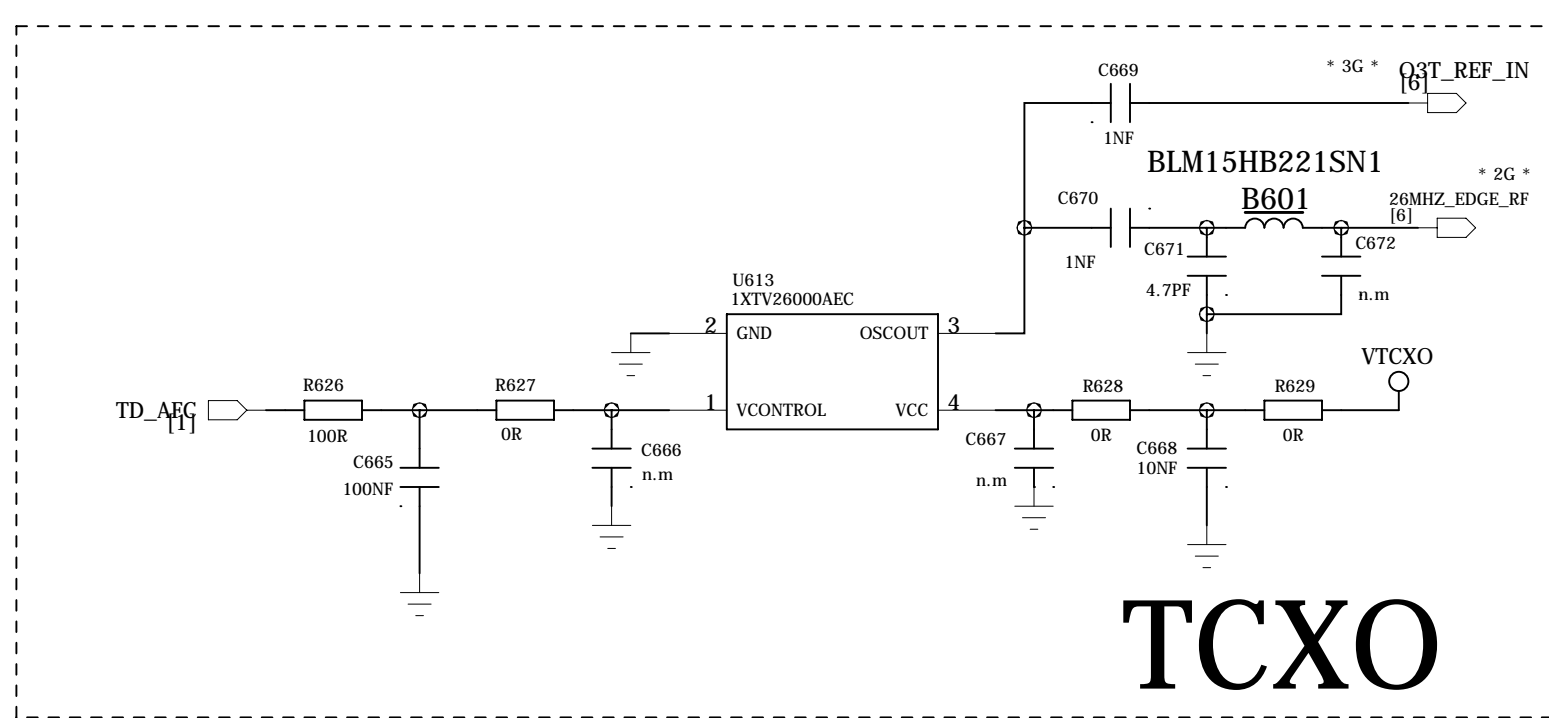
# ANTENNA



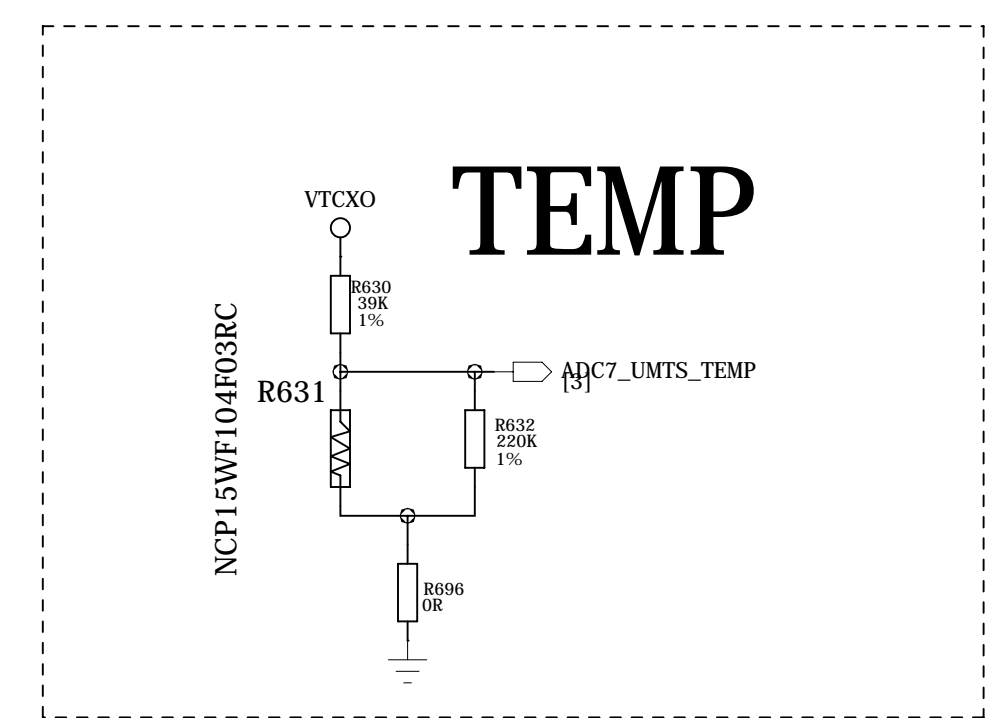
# GSM/EDGE



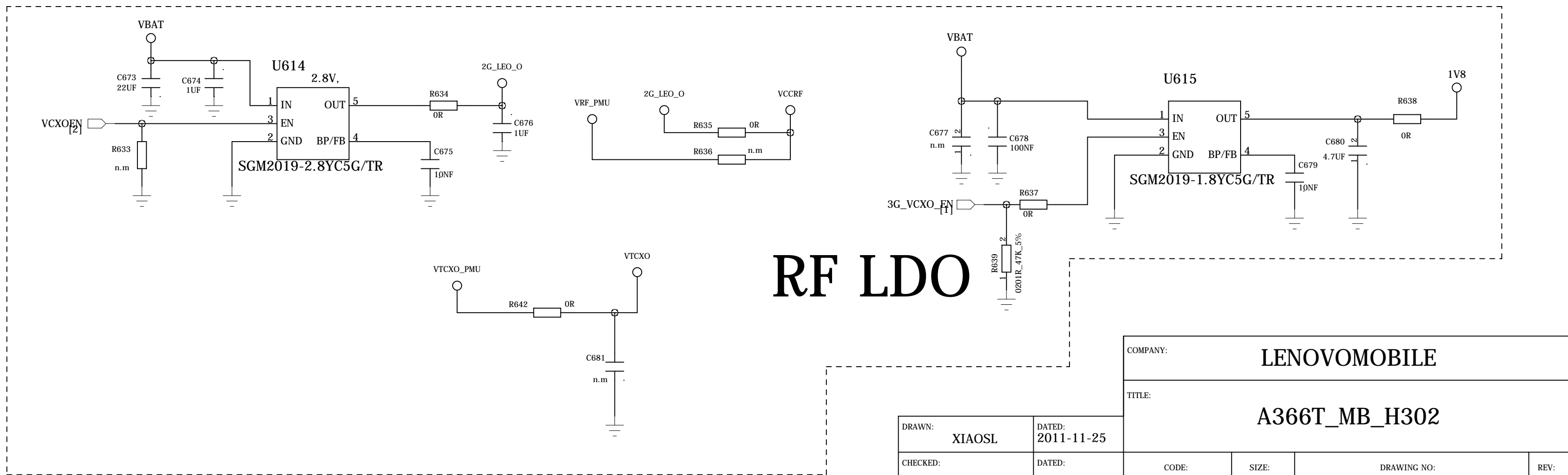
# TD-SCDMA



# TCXO



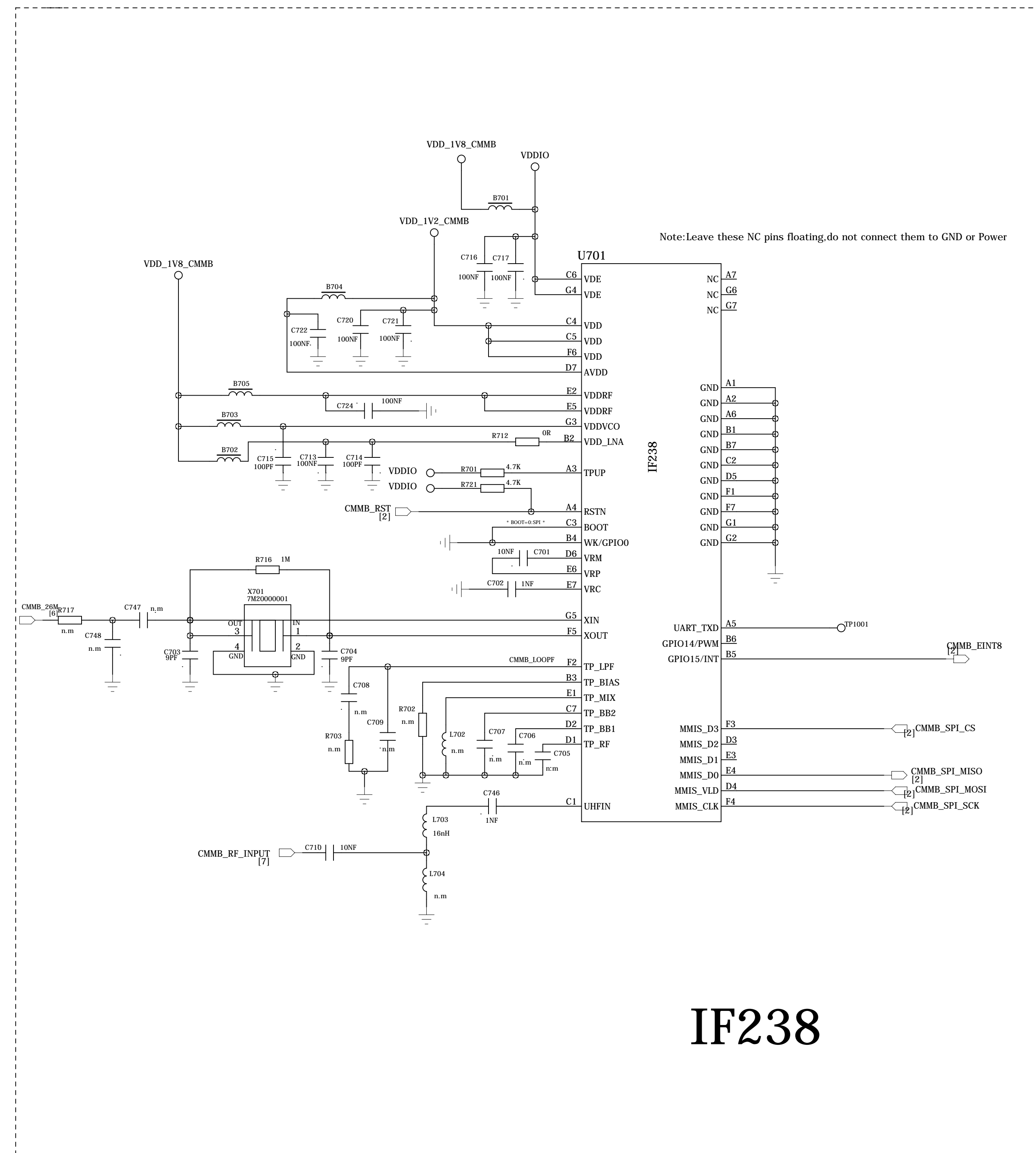
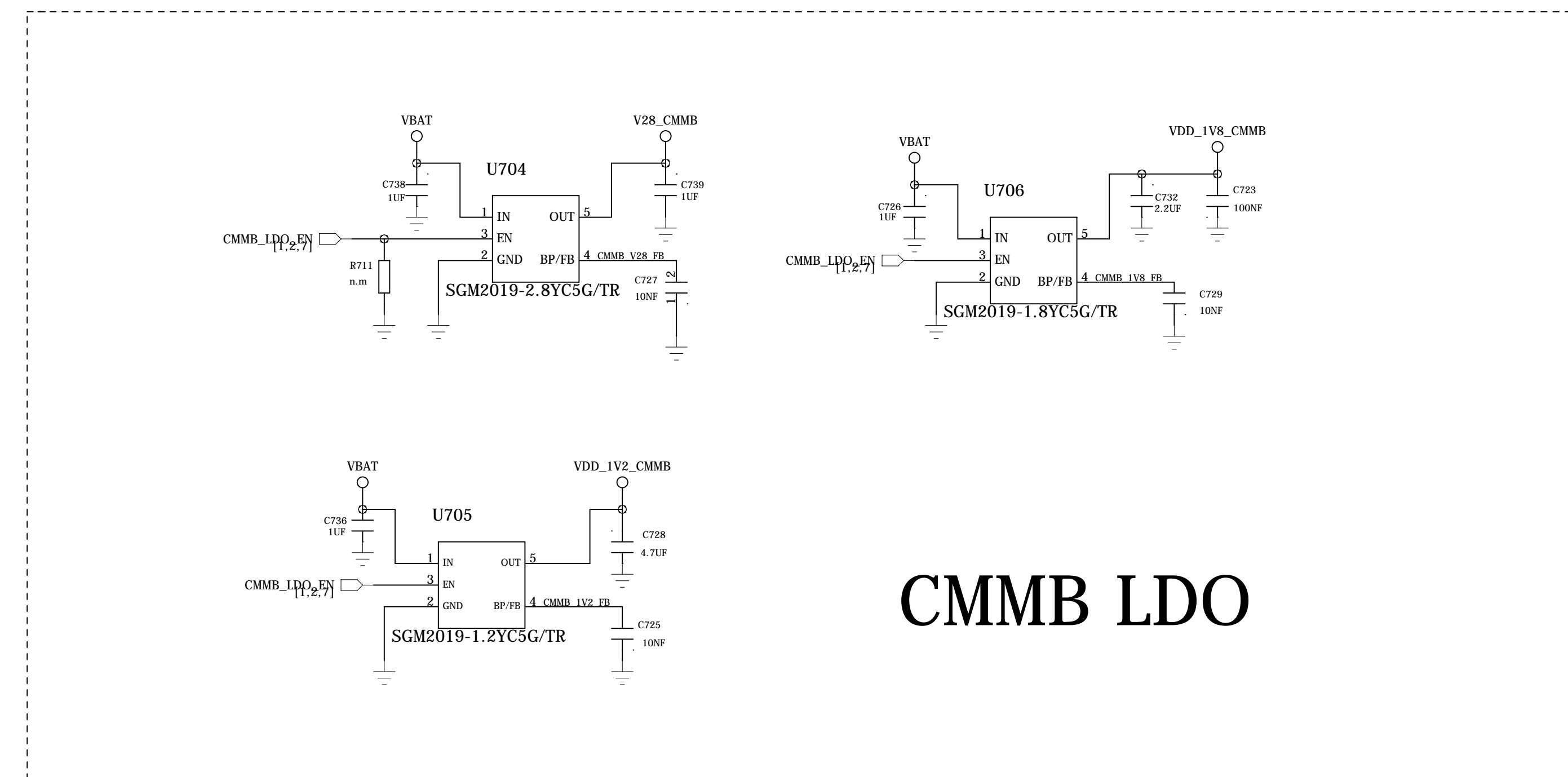
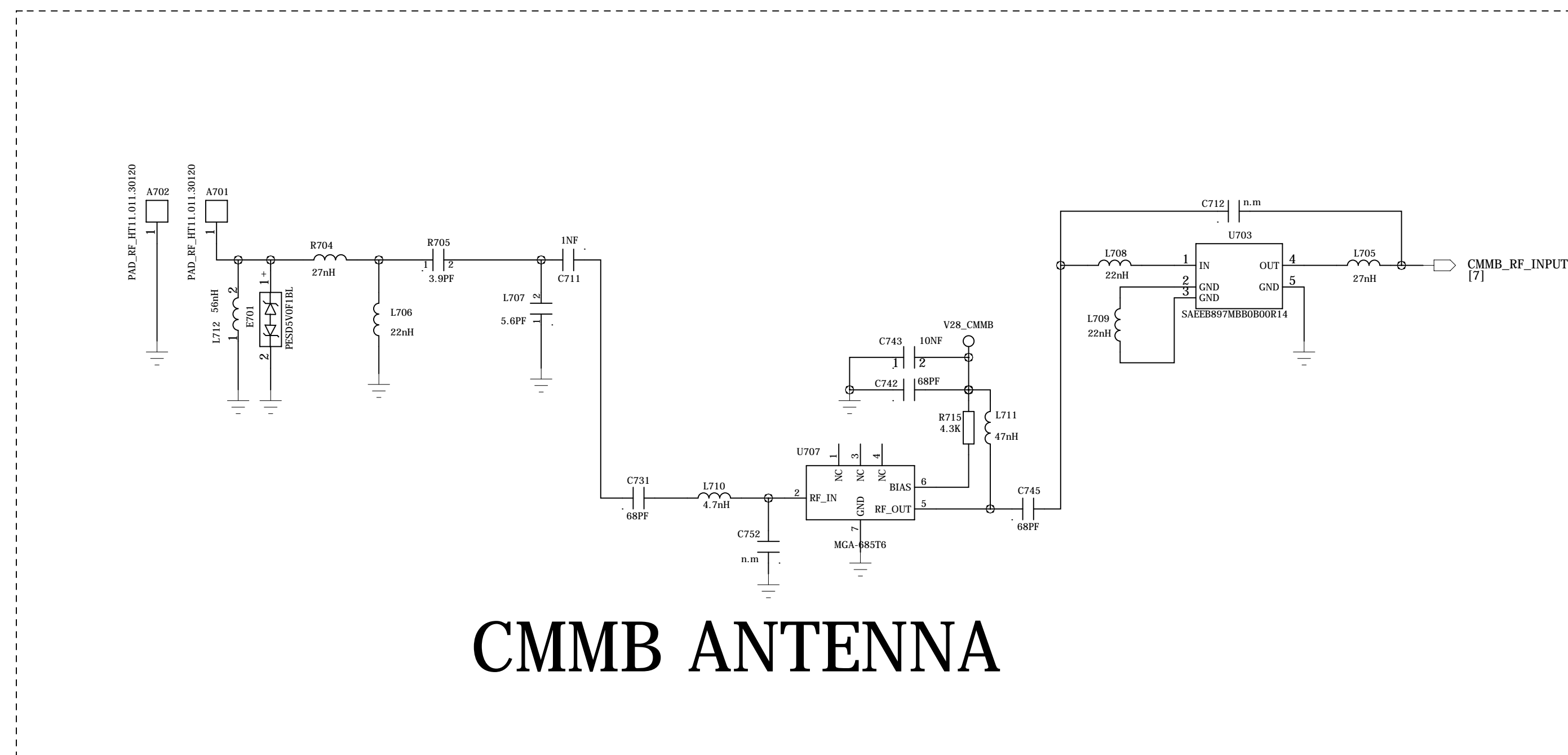
# TEMP



# RF LDO

COMPANY:		LENOVOMOBILE			
TITLE:		A366T_MB_H302			
DRAWN:	XIAOSL	DATED:	2011-11-25	CODE:	<Code>
CHECKED:		DATED:		SIZE:	D
QUALITY CONTROL:	<QC By>	DATED:	<QC Date>	DRAWING NO.:	06_2G_3G_RF
RELEASED:	<Released By>	DATED:	<Release Date>	REV:	V2.1
SCALE:		<Scale>		SHEET: 6 of 10	

REVISION RECORD			
LTR	ECO NO.	APPROVED:	DATE:

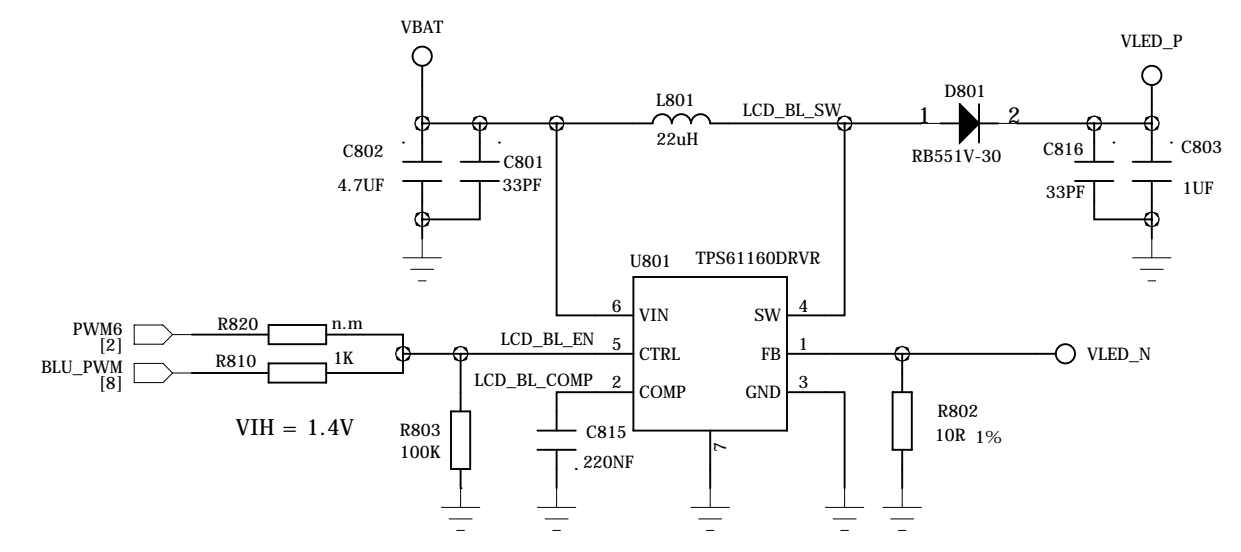
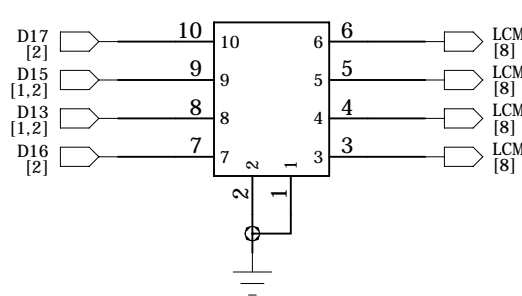
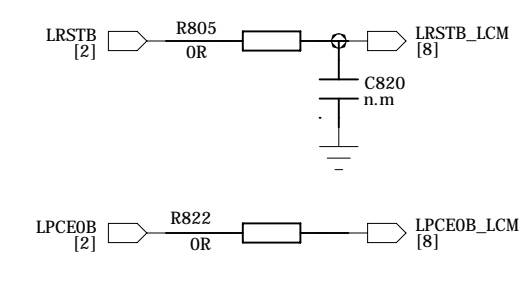
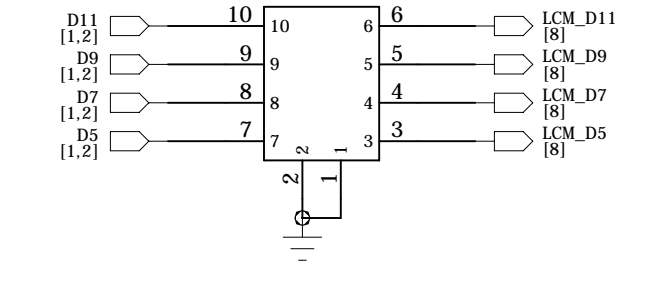
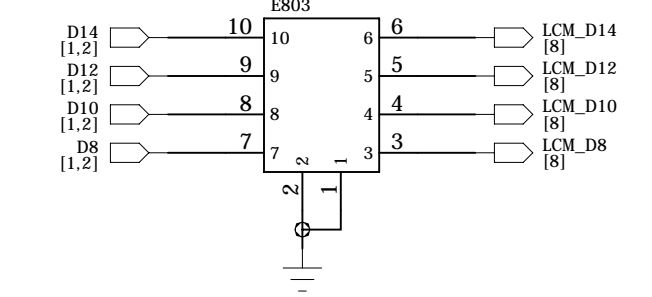
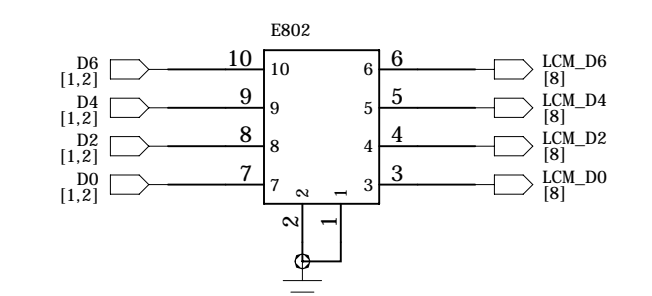
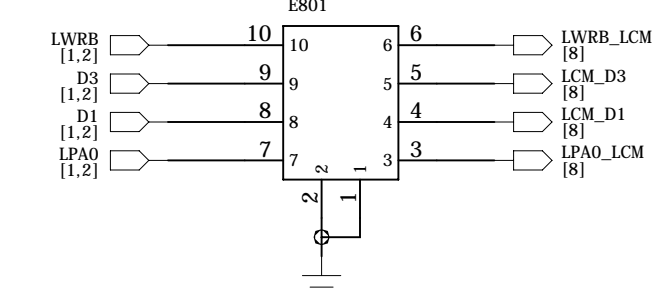
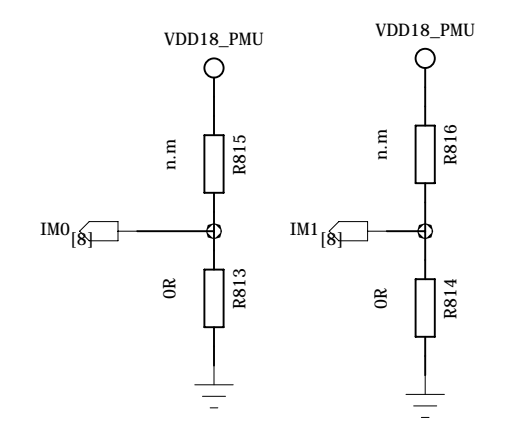
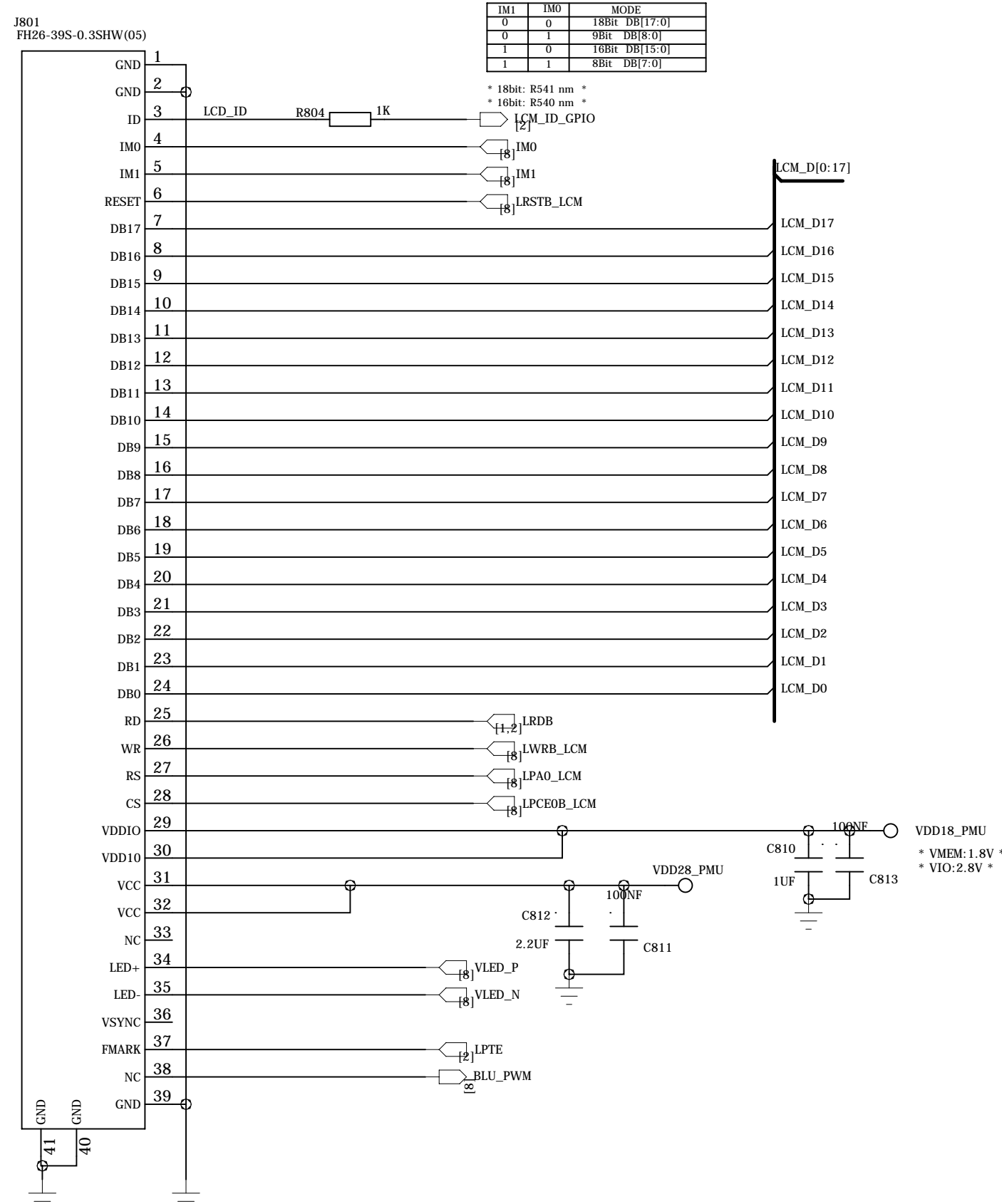


Note: Leave these NC pins floating, do not connect them to GND or Power

IF238

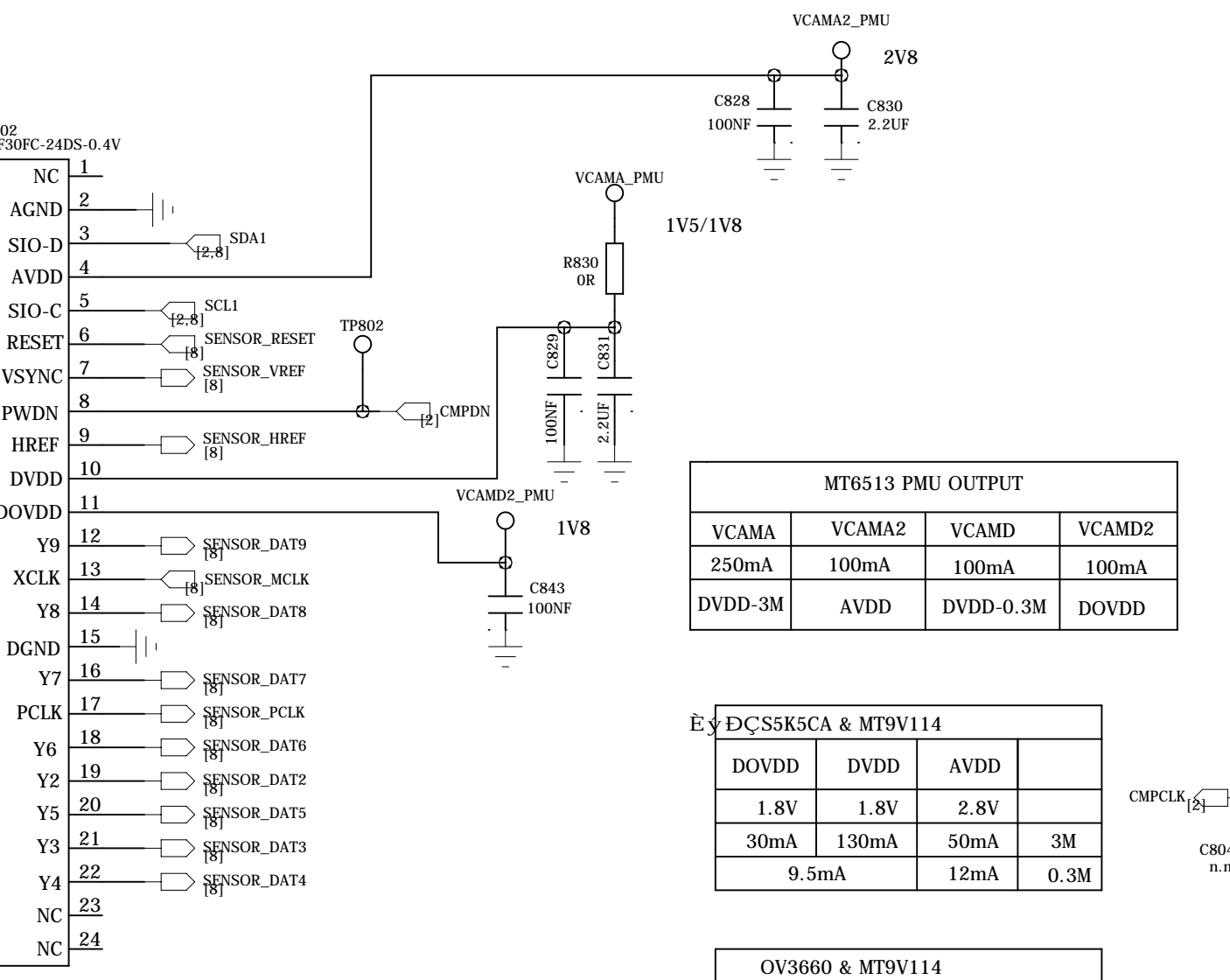
COMPANY: LENOVMOBILE			
TITLE: A366T_MB_H302			
DRAWN: XIAOSL	DATED: 2011-11-25	CODE:	SIZE:
CHECKED: liguo	DATED: <Checked Date>	DRAWING NO:	
QUALITY CONTROL: <QC By>	DATED: <QC Date>	REV: D <Drawing Number> V2.1	
RELEASED: <Released By>	DATED: <Release Date>	SCALE: <Scale>	SHEET: 7 of 10

REVISION RECORD			
LTR	ECO NO.	APPROVED:	DATE:

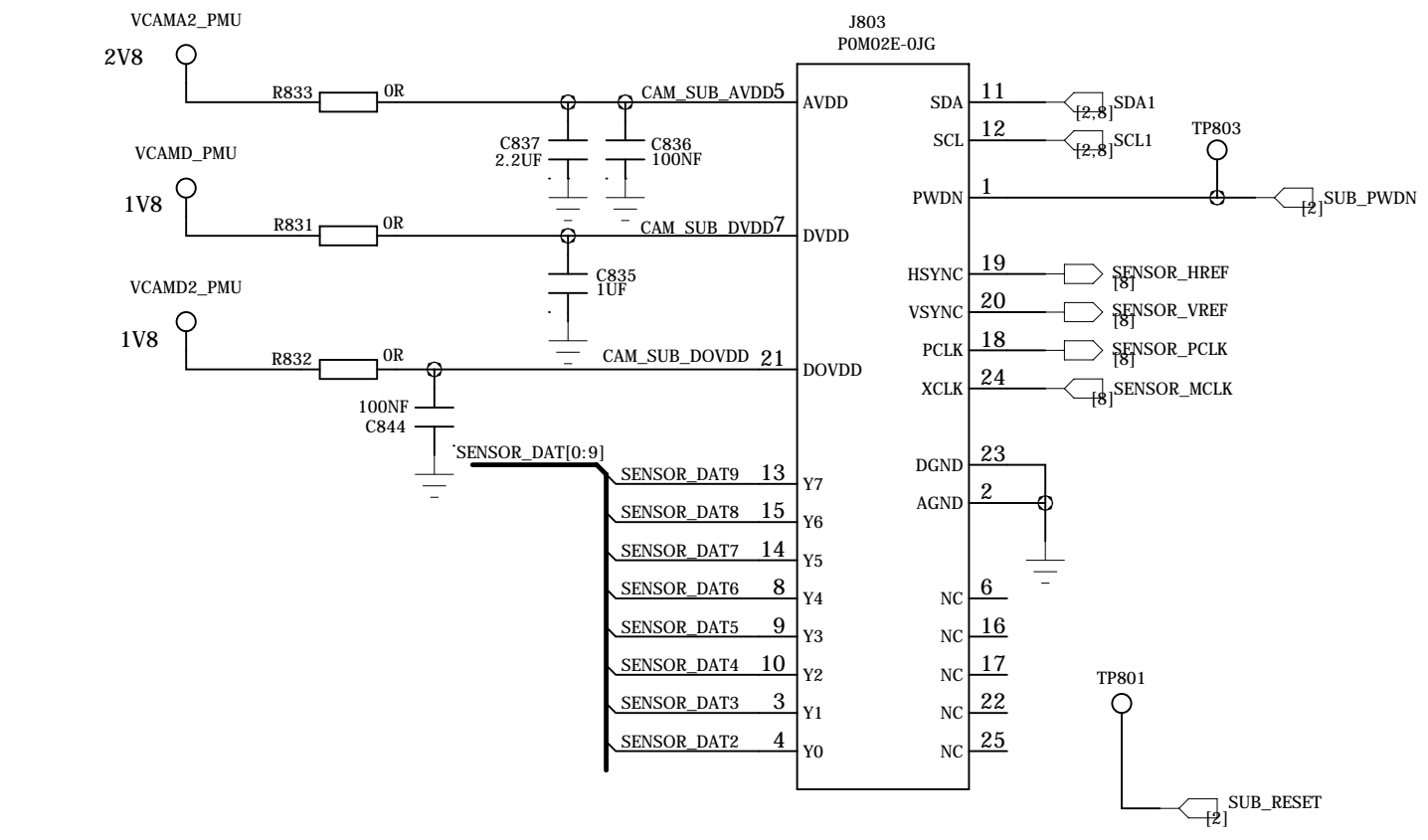
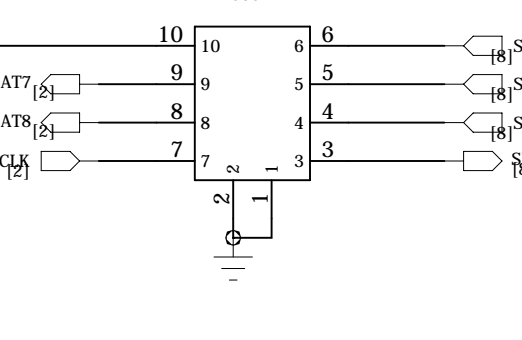
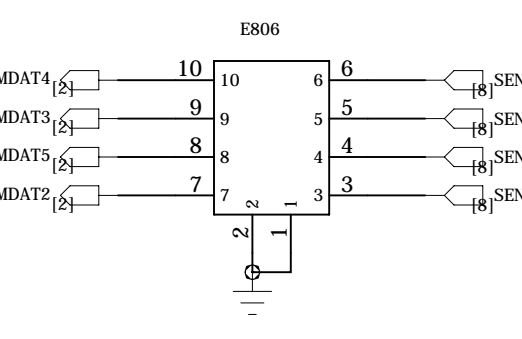
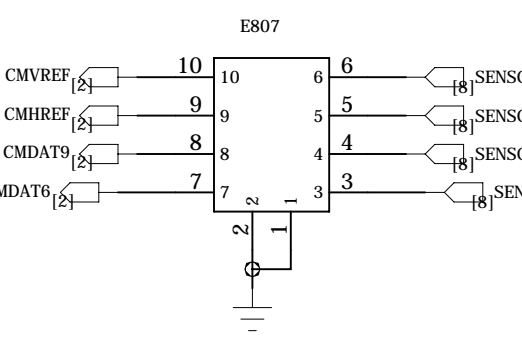


# LCD BACKLIGHT

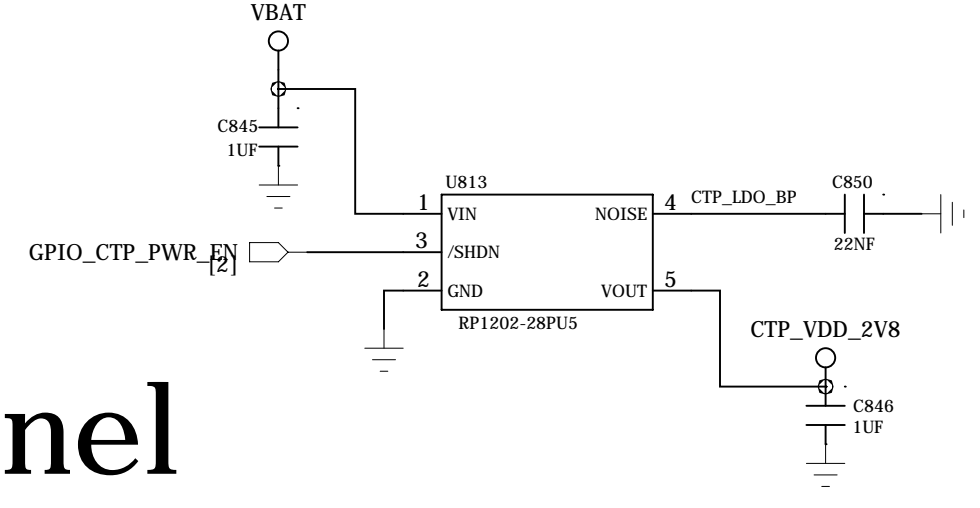
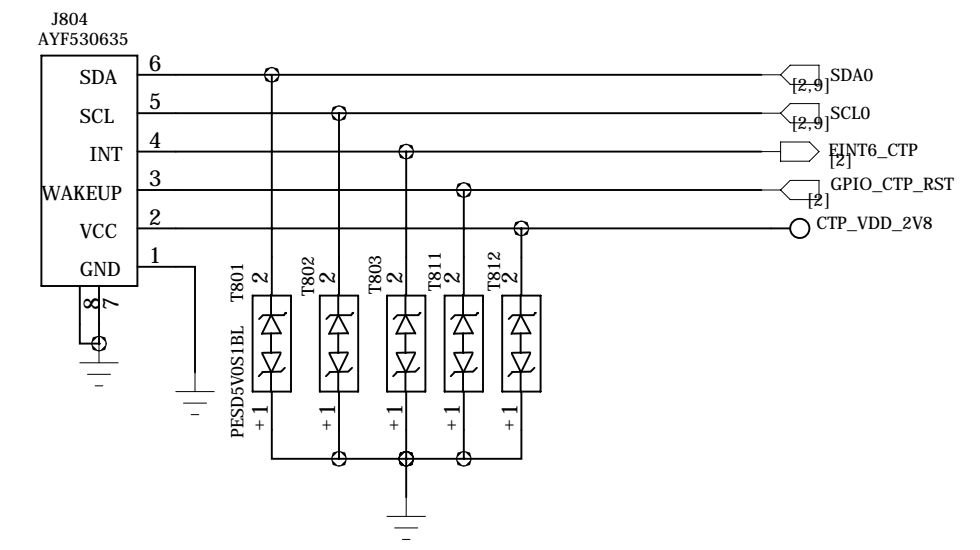
# LCM



# Main Camera\_3M



# Sub Camera\_0.3M



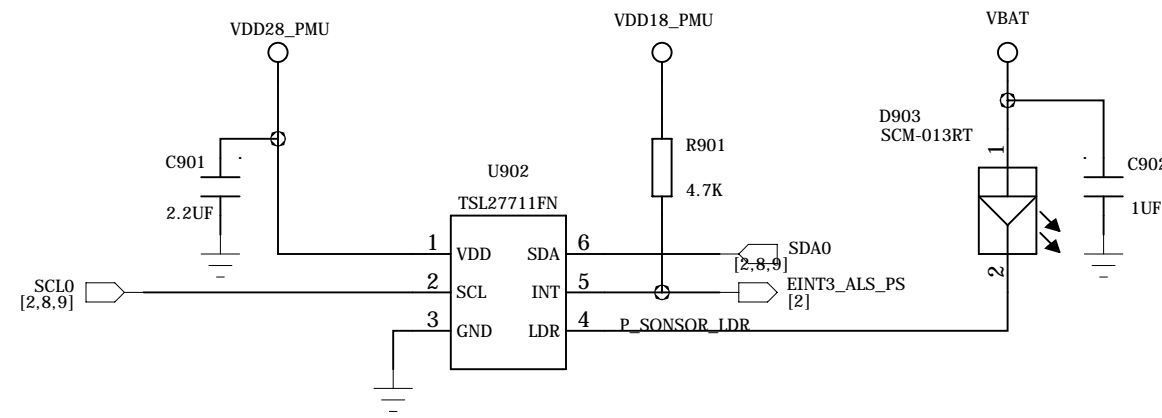
# Touch Panel

# Camera

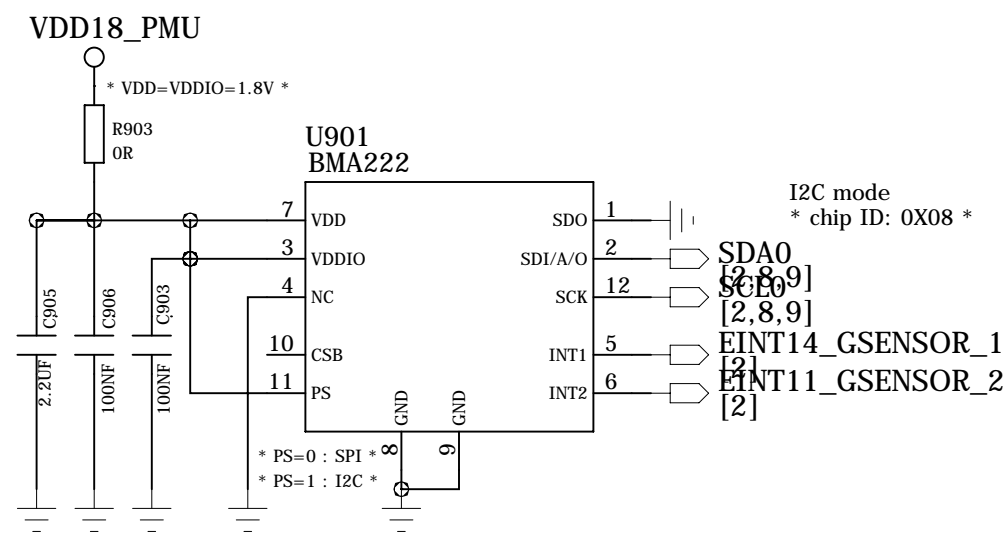
COMPANY: LENOVMOBILE			
TITLE: A366T_MB_H302			
DRAWN: linfenga	DATED: 2011-11-25	CODE: <Code>	SIZE: D
CHECKED: liguo	DATED: <Checked Date>	DRAWING NO: <Drawing Number>	REV: V2.1
QUALITY CONTROL: <QC By>	DATED: <QC Date>	SCALE: <Scale>	SHEET: 8 of 10
RELEASED: <Released By>	DATED: <Release Date>		



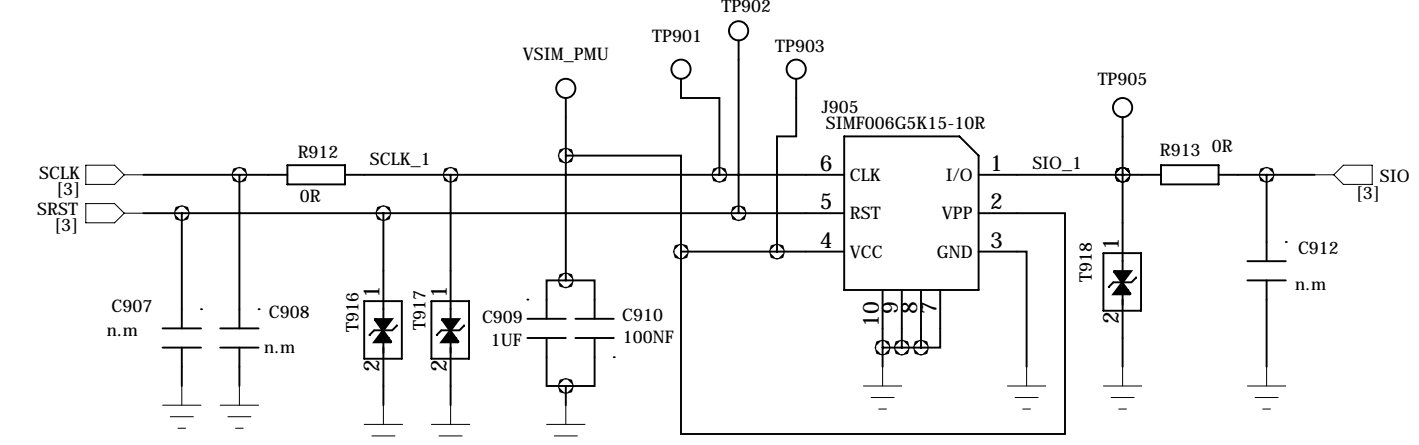
REVISION RECORD			
LTR	ECO NO.	APPROVED:	DATE:



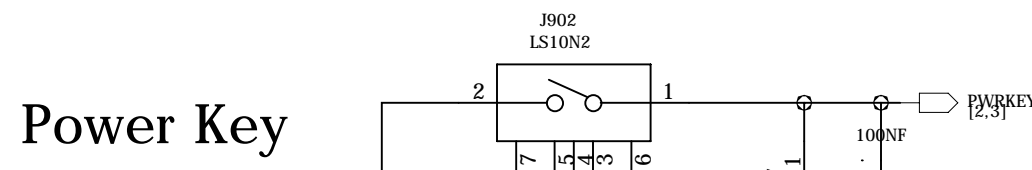
### ALS & PS Sensor



### G-Sensor



### SIM CARD

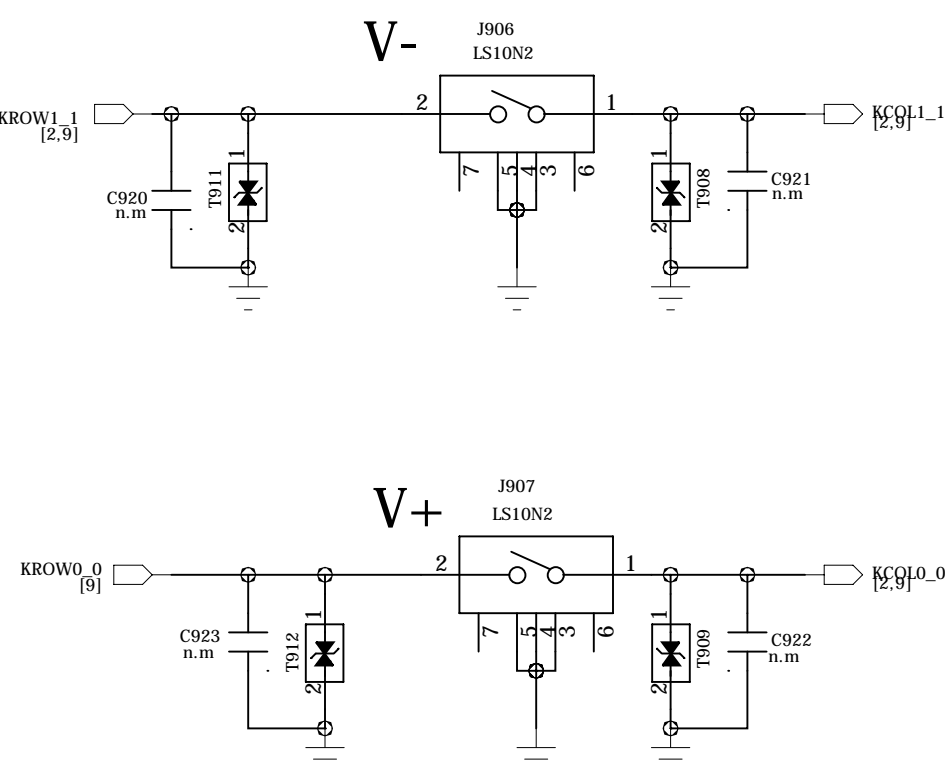


### Power Key

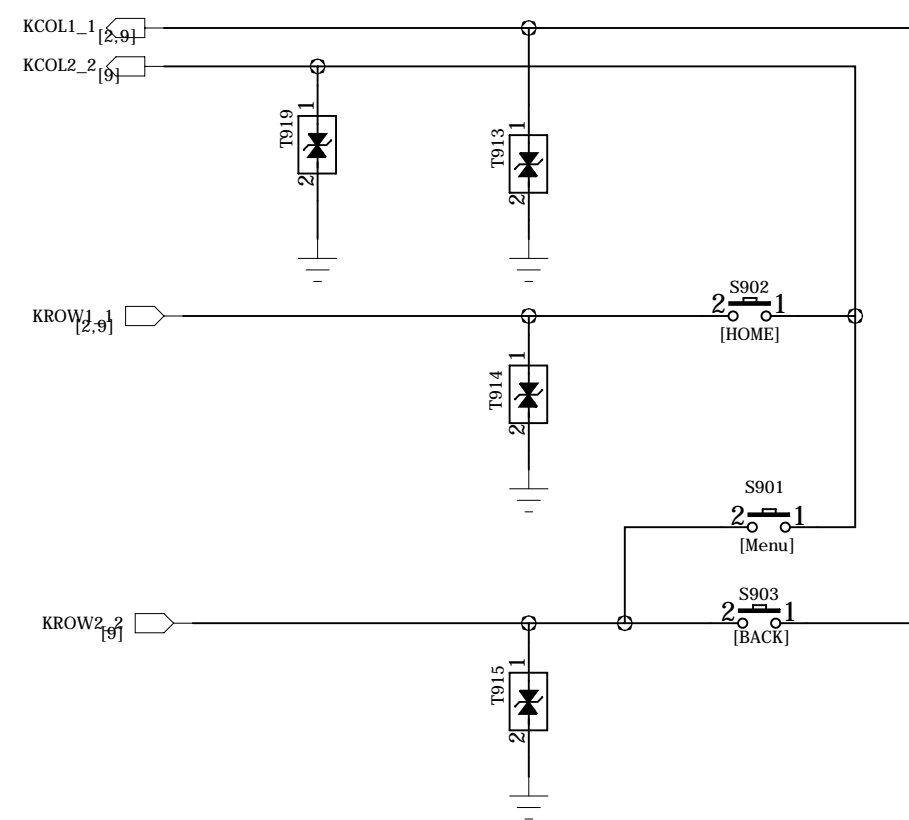
KROW0 [2]	R904	1K	KROW0_0 [9]
KROW1 [2]	R905	1K	KROW1_1 [2,9]
KROW2 [2]	R906	1K	KROW2_2 [9]
KCOL0 [2]	R909	1K	KCOL0_0 [2,9]
KCOL1 [2]	R907	1K	KCOL1_1 [2,9]
KCOL2 [2]	R908	1K	KCOL2_2 [9]

	KCOL0	KCOL1	KCOL2
KROW0	V+		
KROW1		V-	Home
KROW2		Back	Menu

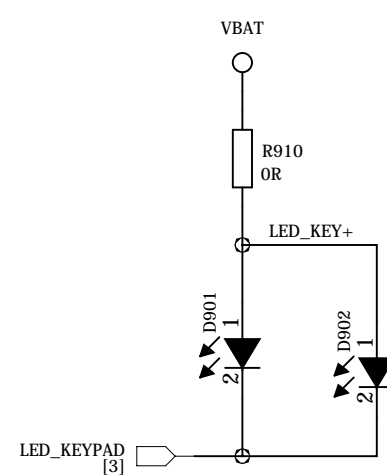
MODE	KEY
USB Download	V+
Factory	back & Power
Meta	V- & Power
Recovery	Home & Power



### KEY



### KEY Backlight



COMPANY: LENOVMOBILE			
TITLE: A366T_MB_H302			
DRAWN: linfenga	DATED: 2011-11-25	CODE: <Code>	SIZE: D <Drawing Number>
CHECKED: liguo	DATED: <Checked Date>	QUALITY CONTROL: <QC By>	DATED: <QC Date>
RELEASED: <Released By>	DATED: <Release Date>	SCALE: <Scale>	SHEET: 9 of 10

DRAWN: linfenga	DATED: 2011-11-25
CHECKED: liguo	DATED: <Checked Date>
QUALITY CONTROL: <QC By>	DATED: <QC Date>
RELEASED: <Released By>	DATED: <Release Date>

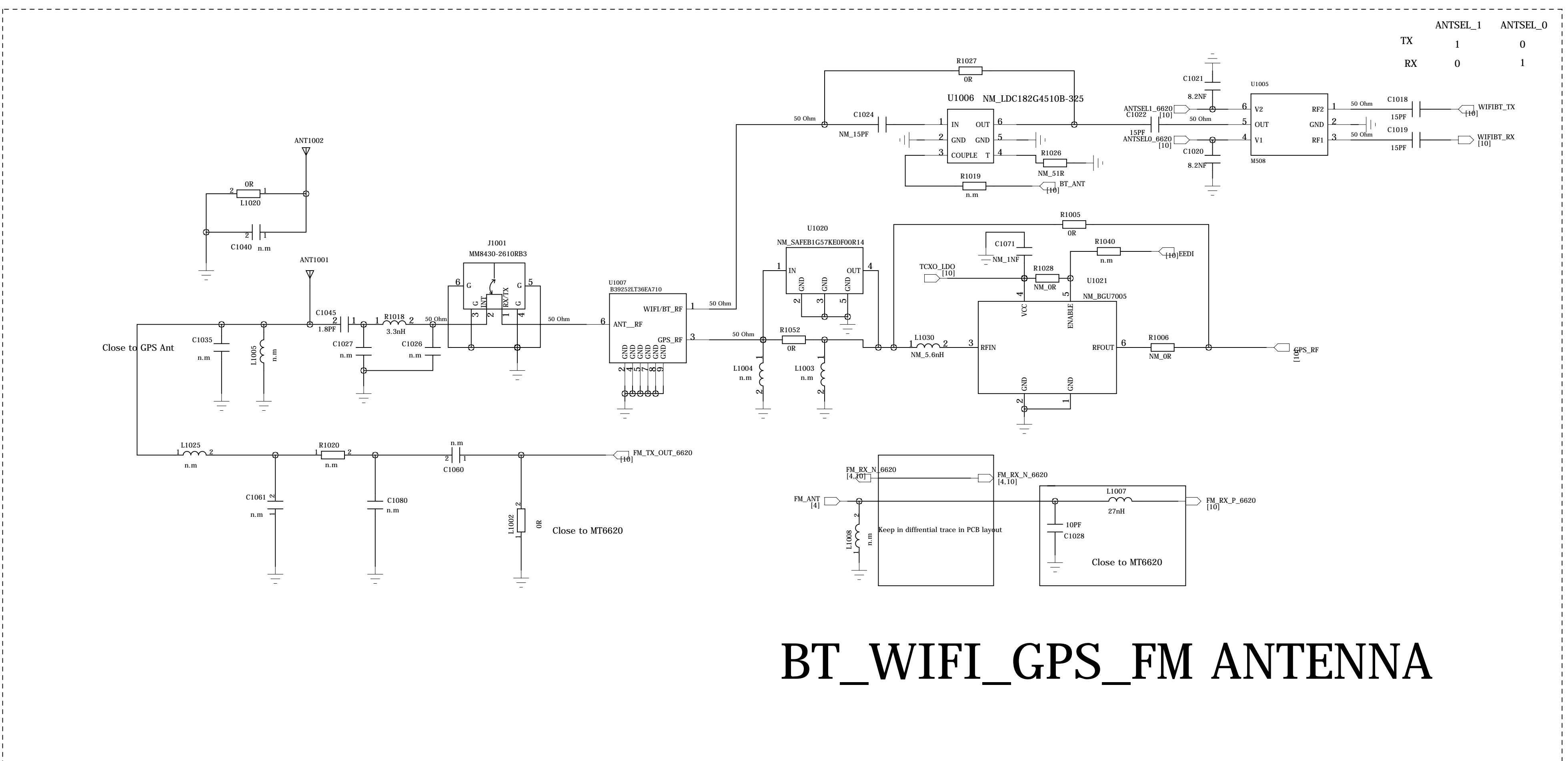
REVISION RECORD			
LTR	ECO NO.	APPROVED	DATE

D

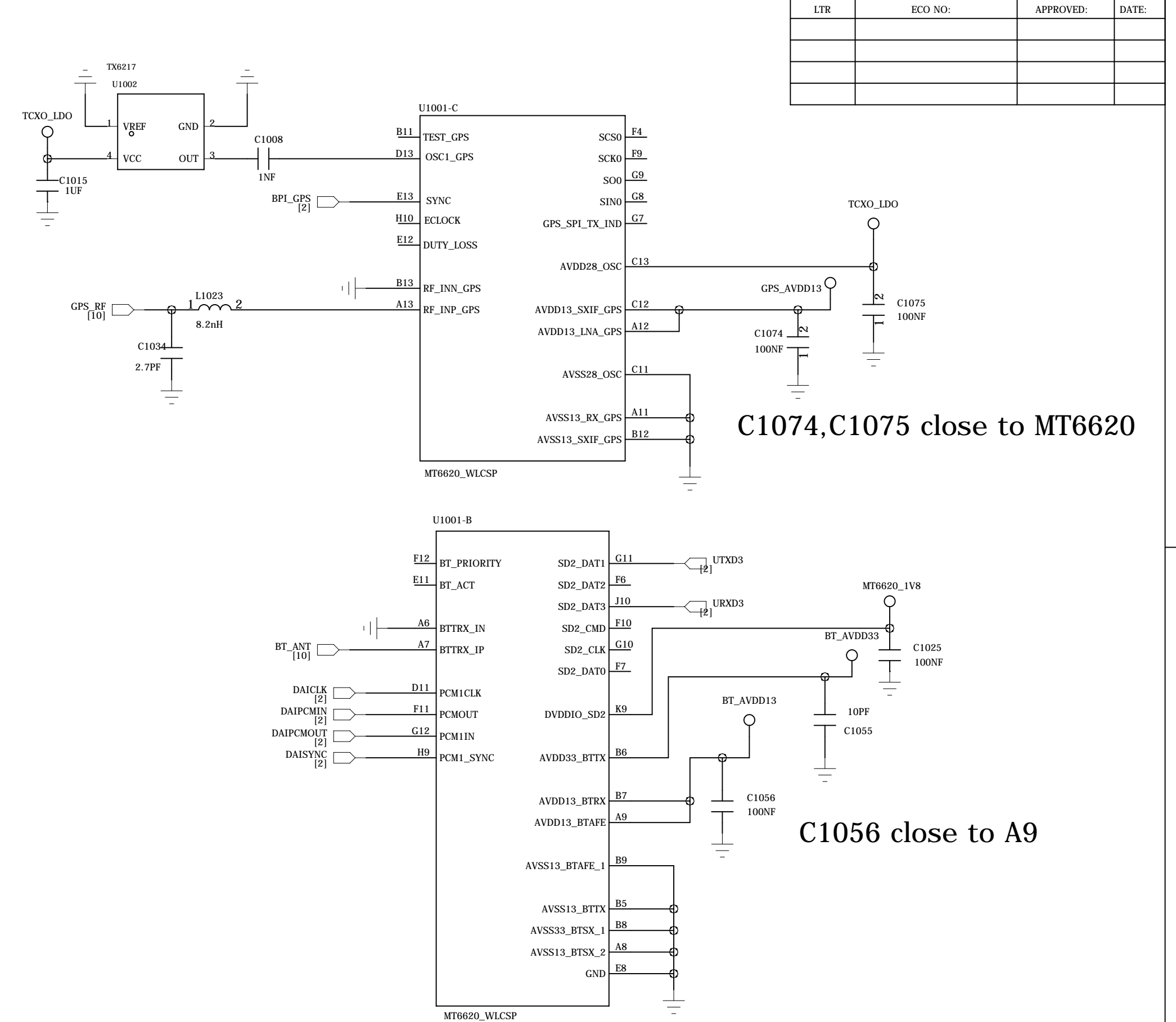
C

D

C

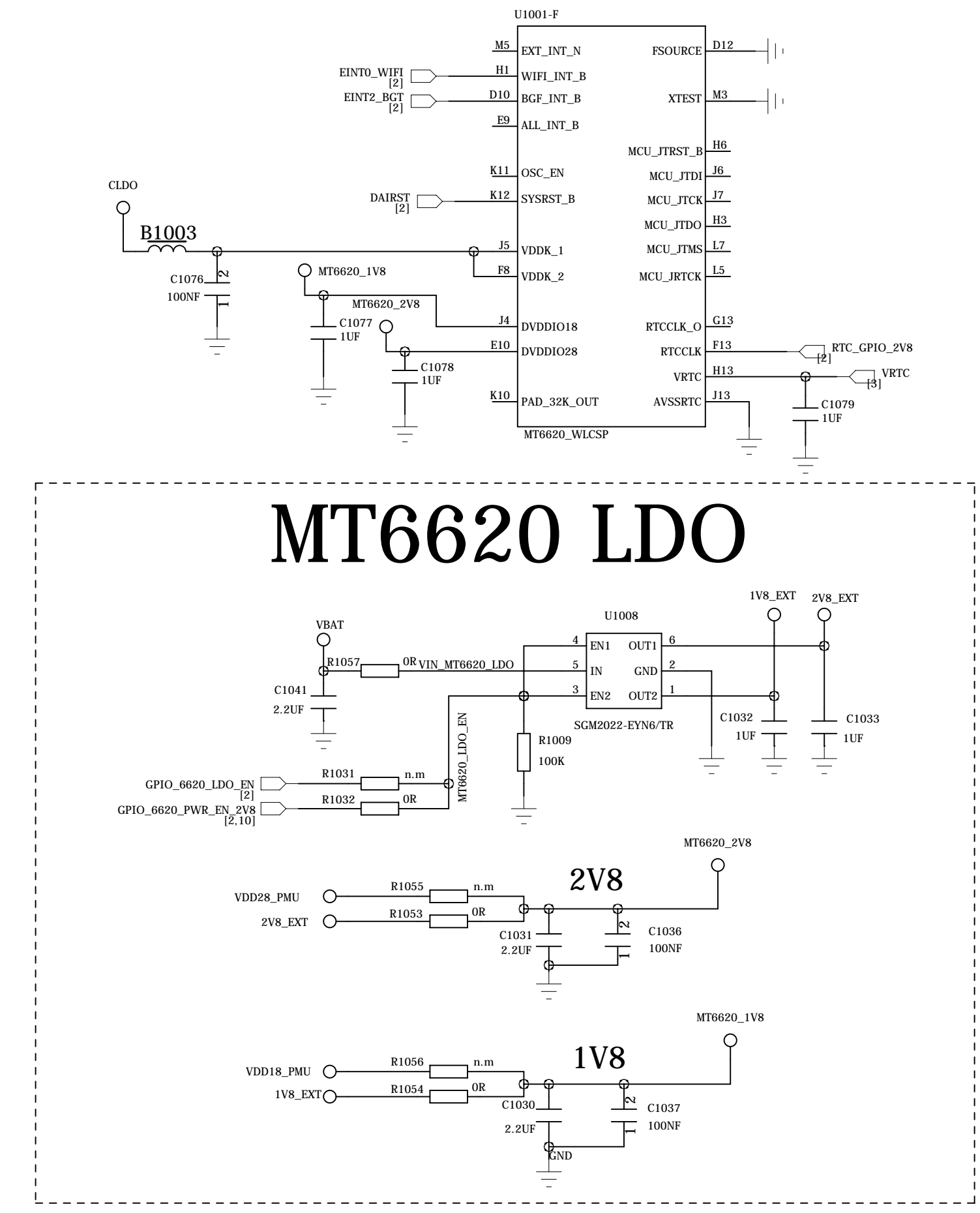


## BT\_WIFI\_GPS\_FM ANTENNA

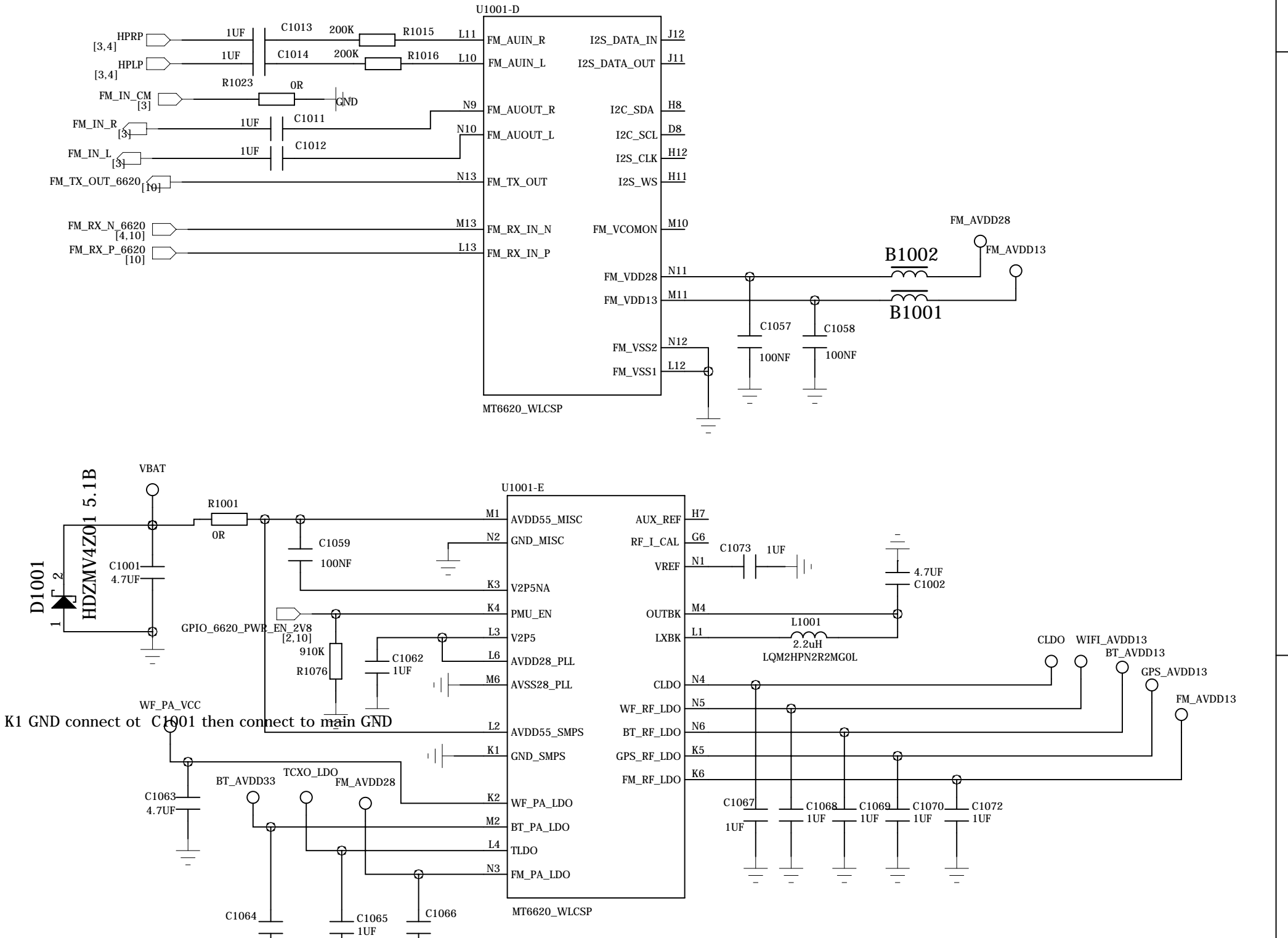
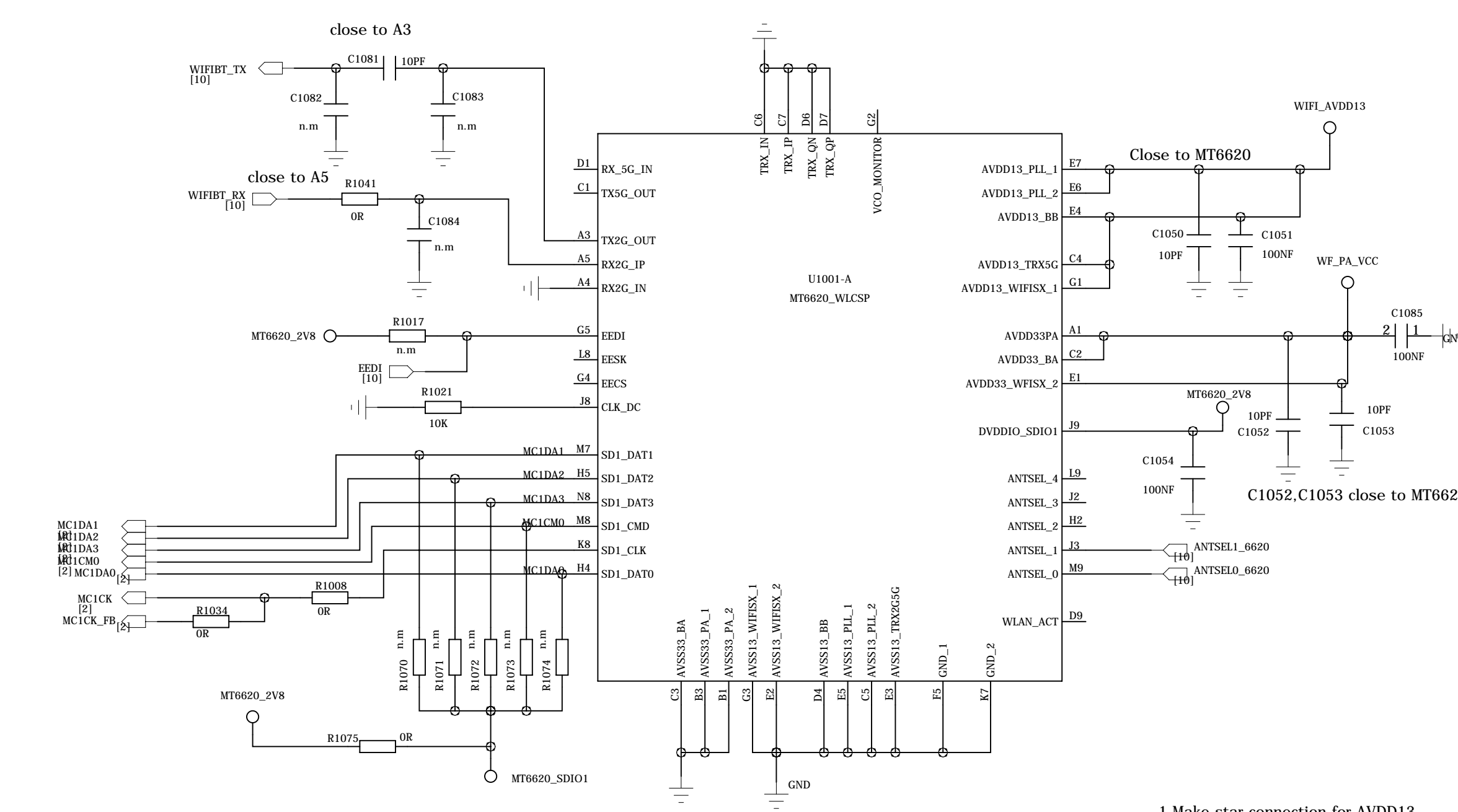


B

B



## MT6620 LDO



1. Make star connection for AVDD13
2. Keep AVDD13\_BB, AVDD13\_TRX5G, AVDD13\_WIFISX\_1 away from noise signal

COMPANY:		LENOVOMOBILE	
TITLE:		A366T_MB_H302	
DRAWN:	linfenga	DATED:	2011-11-25
CHECKED:	liguoa	DATED:	<Checked Date>
QUALITY CONTROL:	<QC By>	DATED:	<QC Date>
RELEASED:	<Released By>	DATED:	<Release Date>
CODE:	<Code>	SIZE:	D <Drawing Number> V2.1
DRAWING NO.:	<Code>	REV.:	<Code>