

CONFIDENTIAL

This document contains confidential material. This material cannot be shared except with persons that have a valid business reason to read this content. You are personally responsible to ensure recipients of this document are aware of information handling guidelines.



Service schematics

Lumia 640 XL LTE

RM-1062
RM-1064

Lumia 640 XL LTE Dual SIM

RM-1065
RM-1096



IMPORTANT

This document is intended for use by authorized Microsoft service centers only. Please use the document together with other documents such as the Service Manual and Service Bulletins.

Version information

While every effort has been made to ensure that the document is accurate, some errors may exist. Please always check for the latest published version for this document.

v1.0 - 18.03.2015
-First approved version.

Version differences

This document will cover following releases:

- Lumia 640 XL LTE, RM-1062, Board: 4NX_10r
- Lumia 640 XL LTE, RM-1064, Board: 4NZ-09b
- Lumia 640 XL LTE Dual SIM, RM-1065, Board: 4NZ_09j
- Lumia 640 XL LTE Dual SIM, RM-1096 Board: 4NZ_09p

Contents

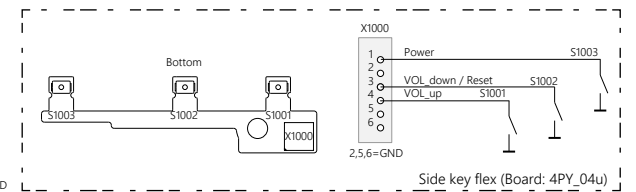
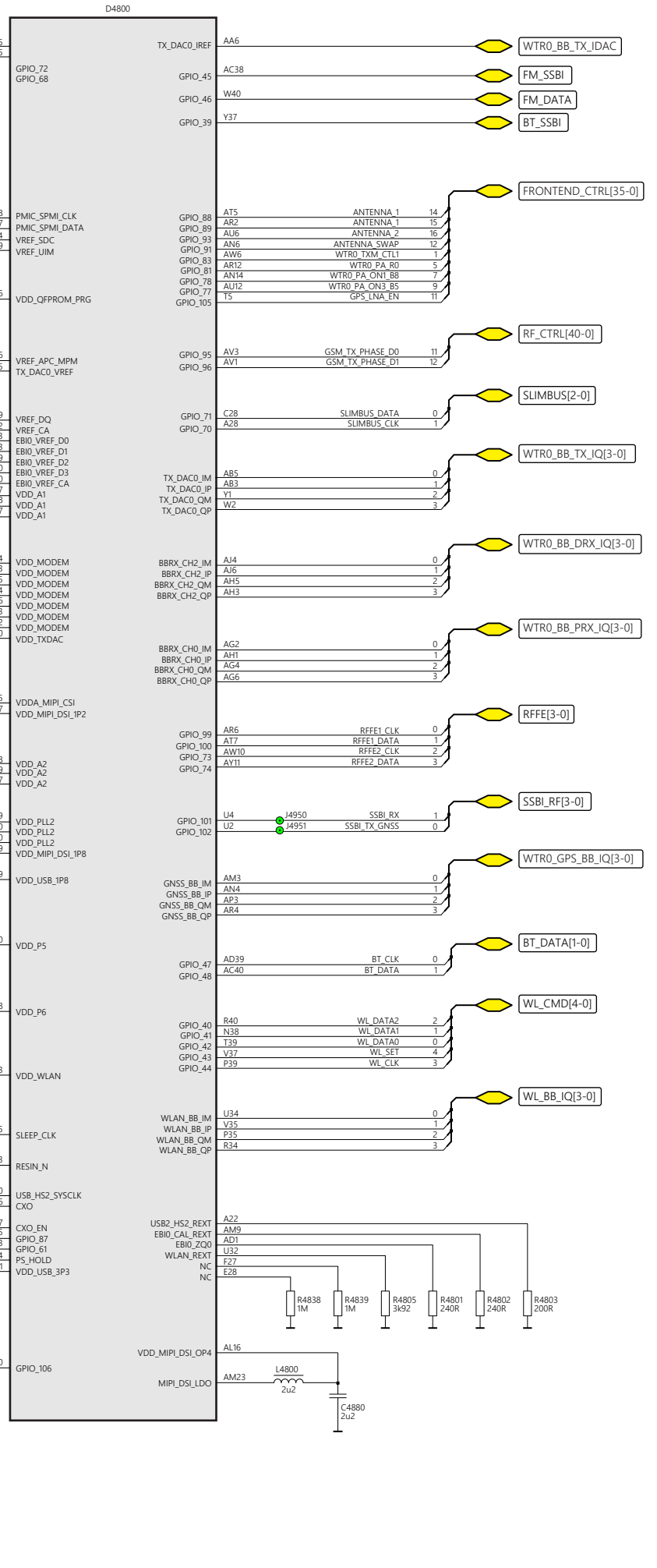
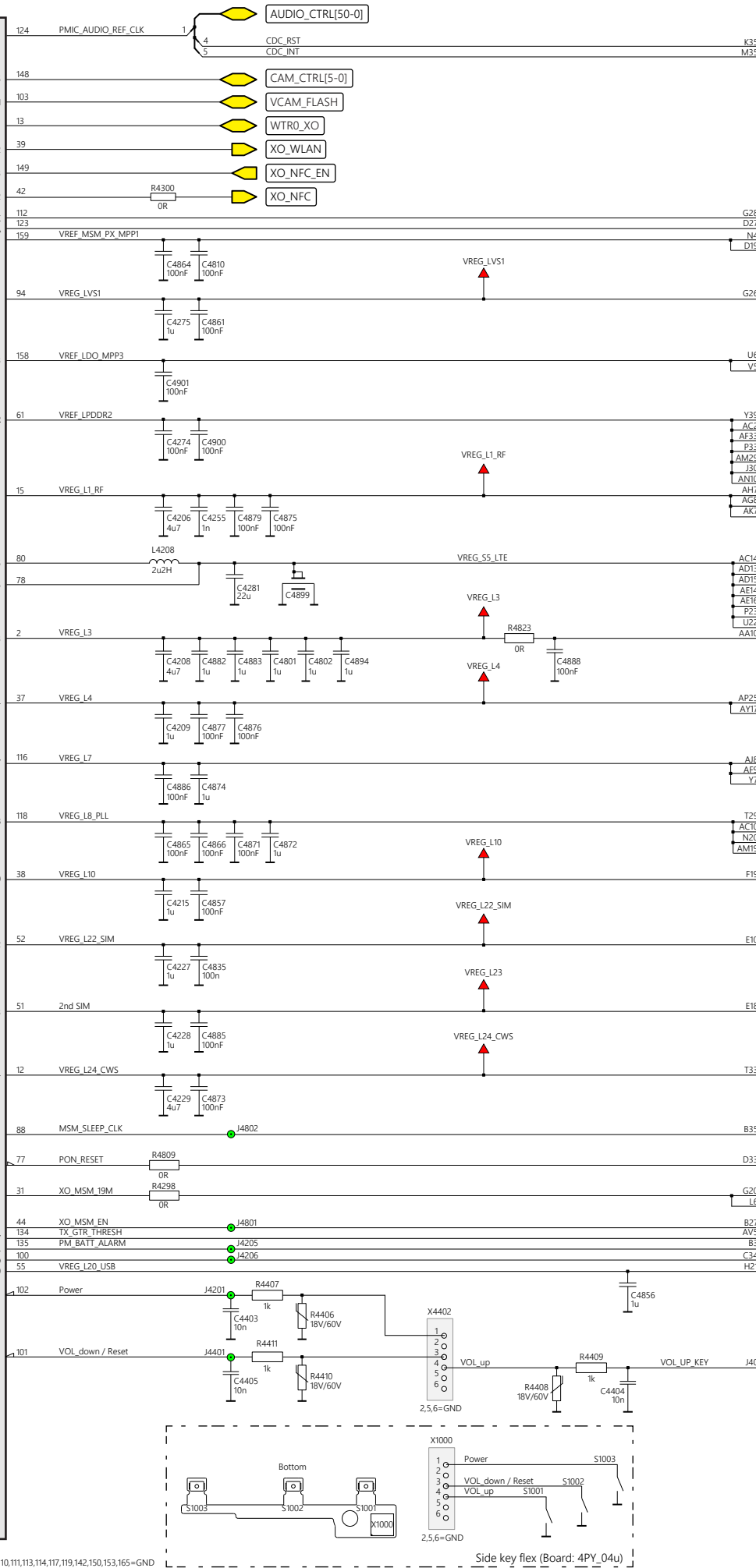
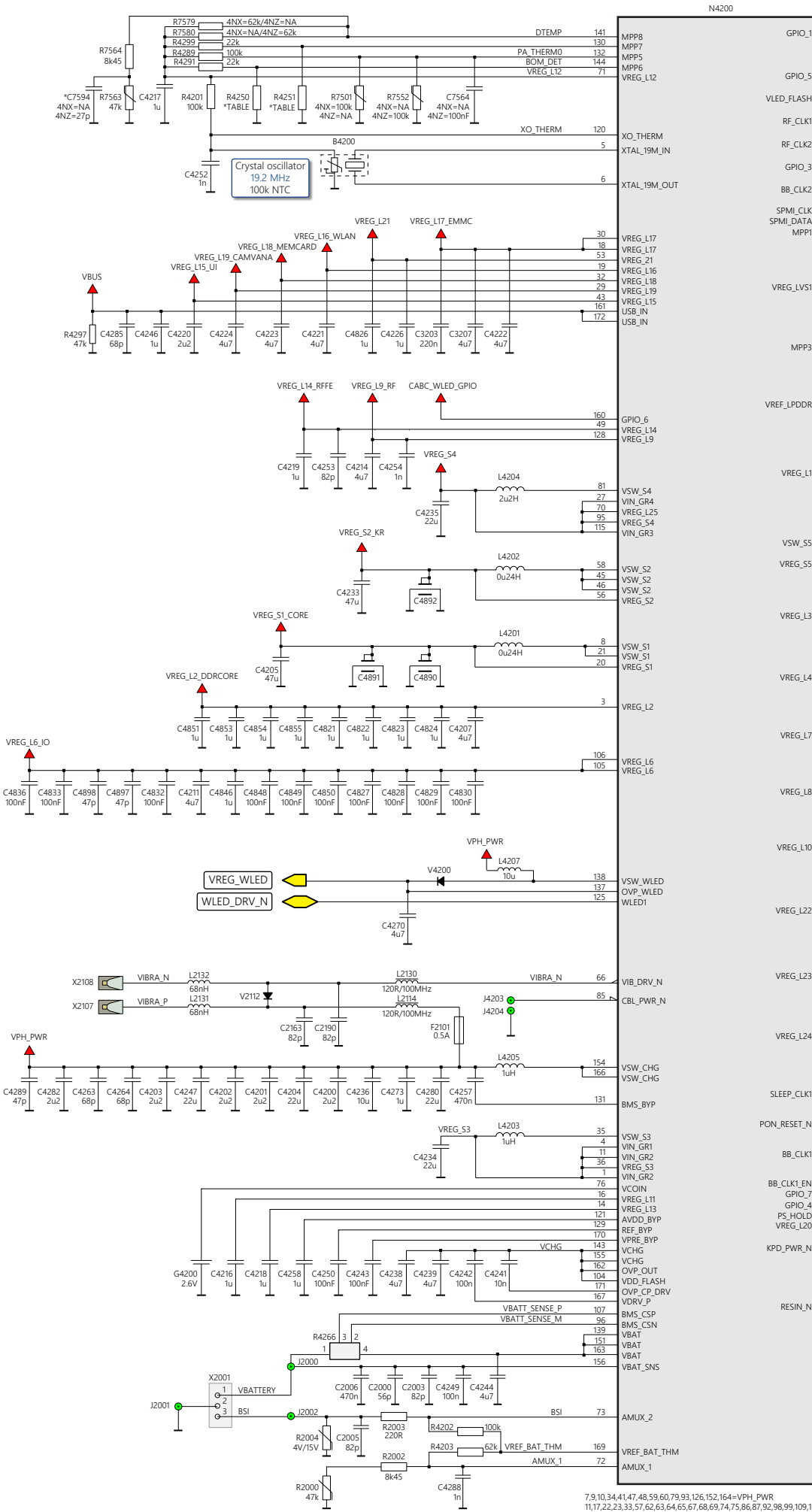
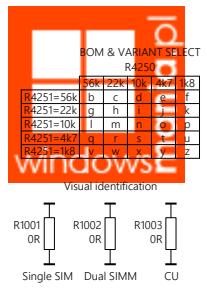
- 1 Front page
- 2 PM8926, MSM8926, Power, Side keys flex
- 3 MSM8926, USB, Memory, Cameras
- 4 MSM8926, Display/Touch, SIM(s), NFC, Sensors
- 5 WCD9302 audio, Top flex, Flash flex, BT/WLAN/FM, GNSS
- 6 RF Transceiver (RM-1062)
- 7 RF Transceiver page 1 (RM-1064, RM-1065, RM-1096)
- 8 RF Transceiver page 2 (RM-1064, RM-1065, RM-1096)
- 9 Component finder Top (RM-1062)
- 10 Component finder Bottom (RM-1062)
- 11 Component finder Top (RM-1064)
- 12 Component finder Bottom (RM-1064)
- 13 Component finder Top (RM-1065)
- 14 Component finder Bottom (RM-1065)
- 15 Component finder Top (RM-1096)
- 16 Component finder Bottom (RM-1096)

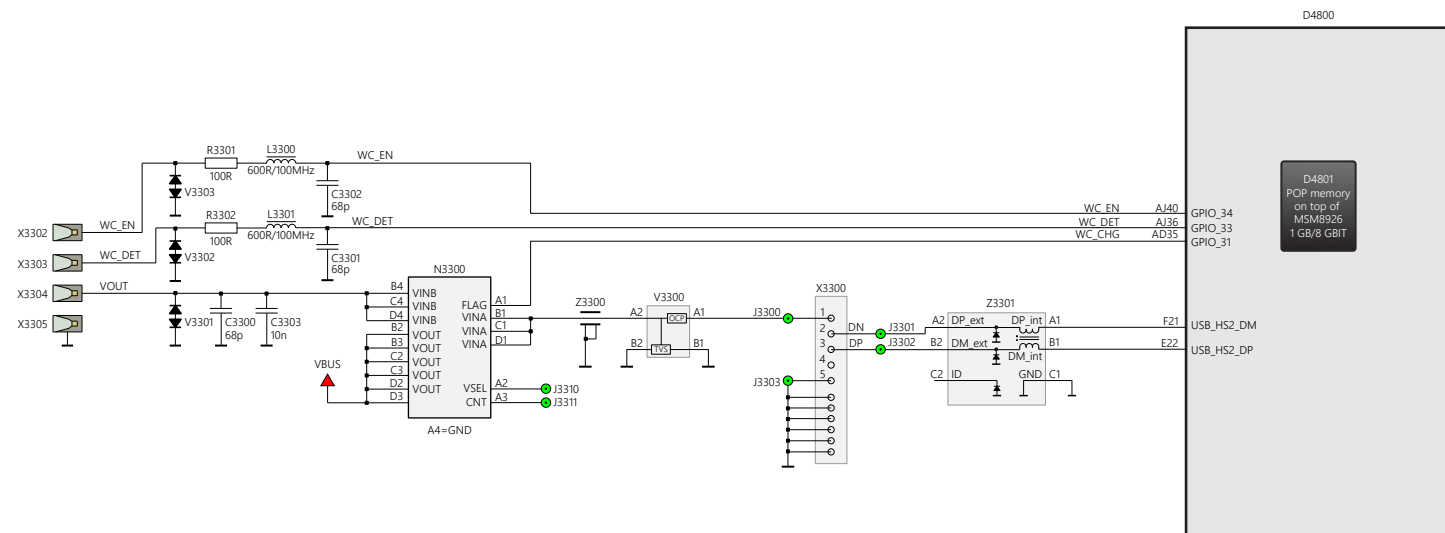


Send feedback

- Recommend Change in KICS
- Rate this page in KICS
- e-mail careacademy@microsoft.com

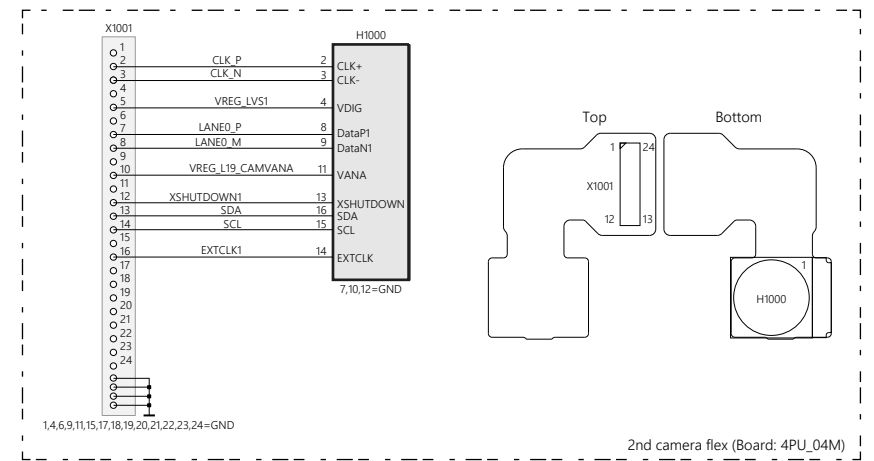




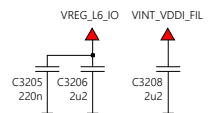
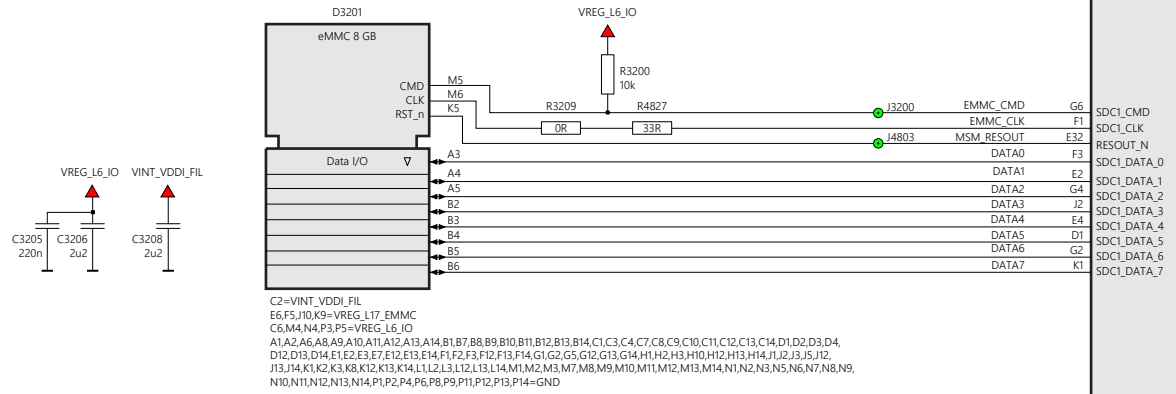


D4800

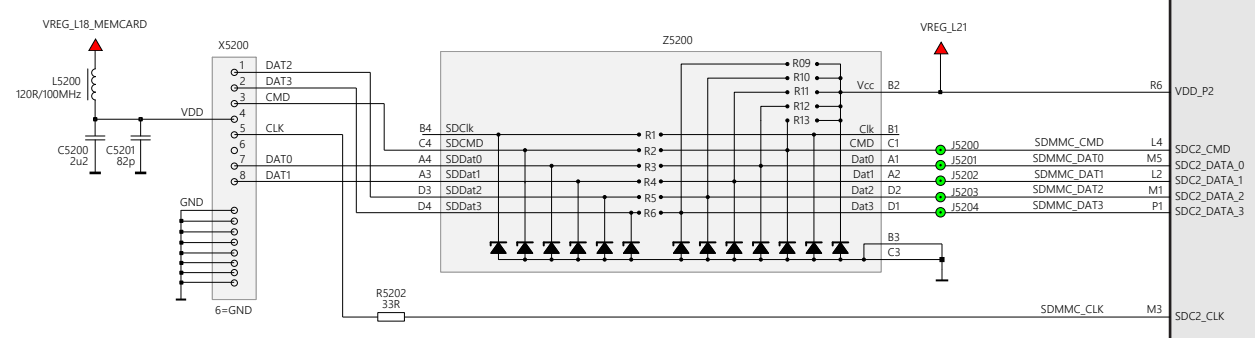
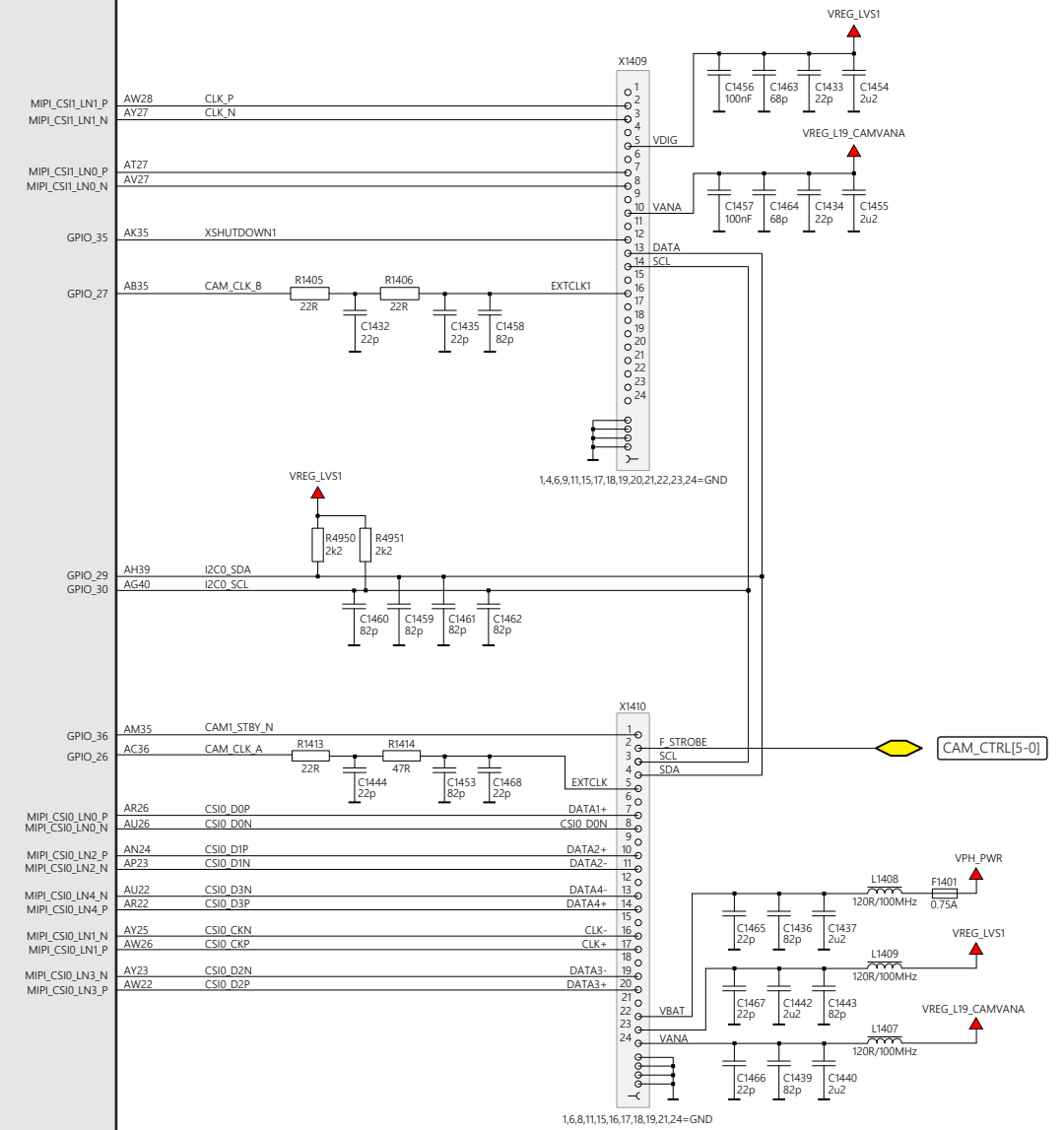
D4801
POP memory
on top of
MSM8926
1 GB/8 GBIT



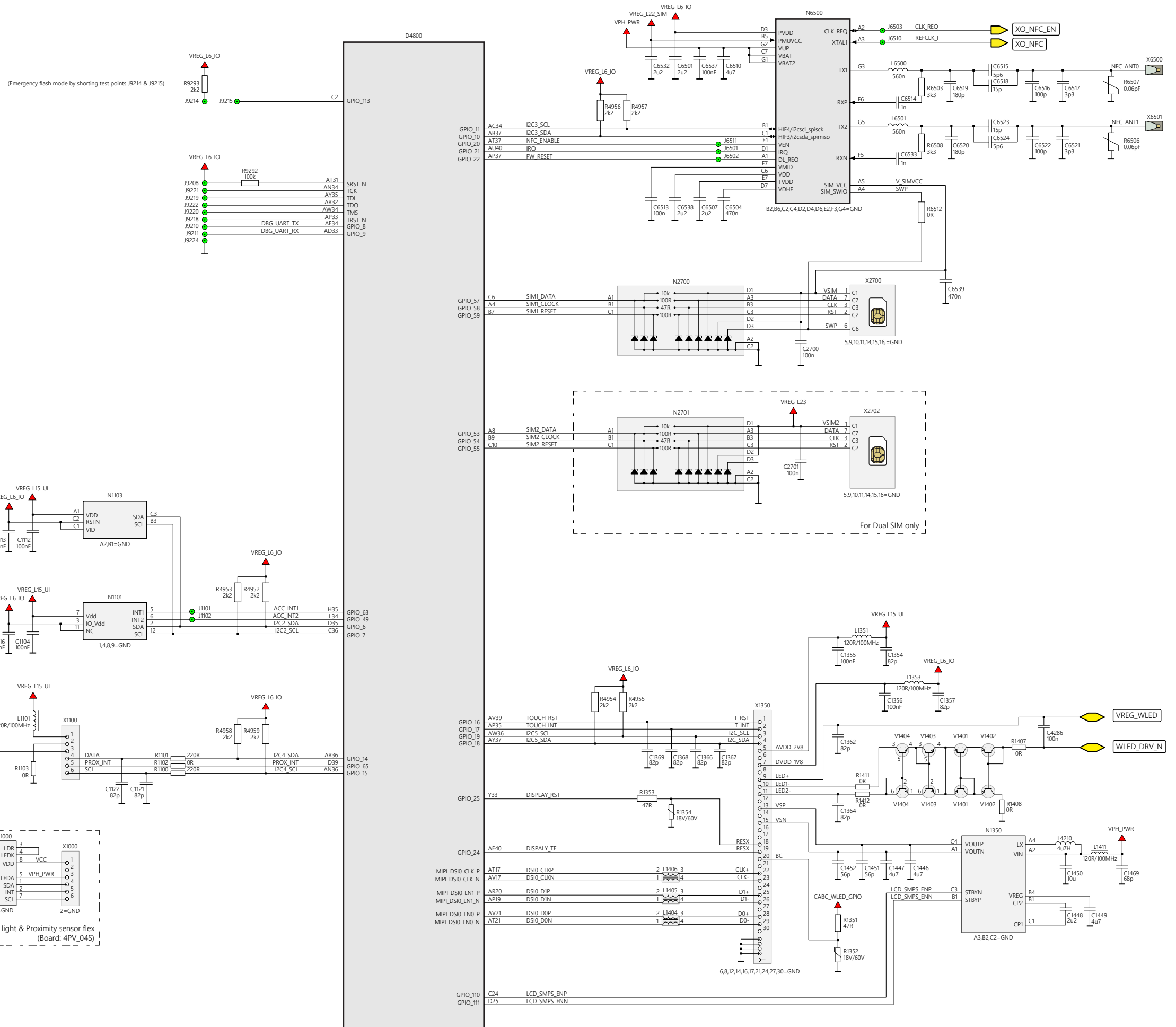
2nd camera flex (Board: 4PU_04M)

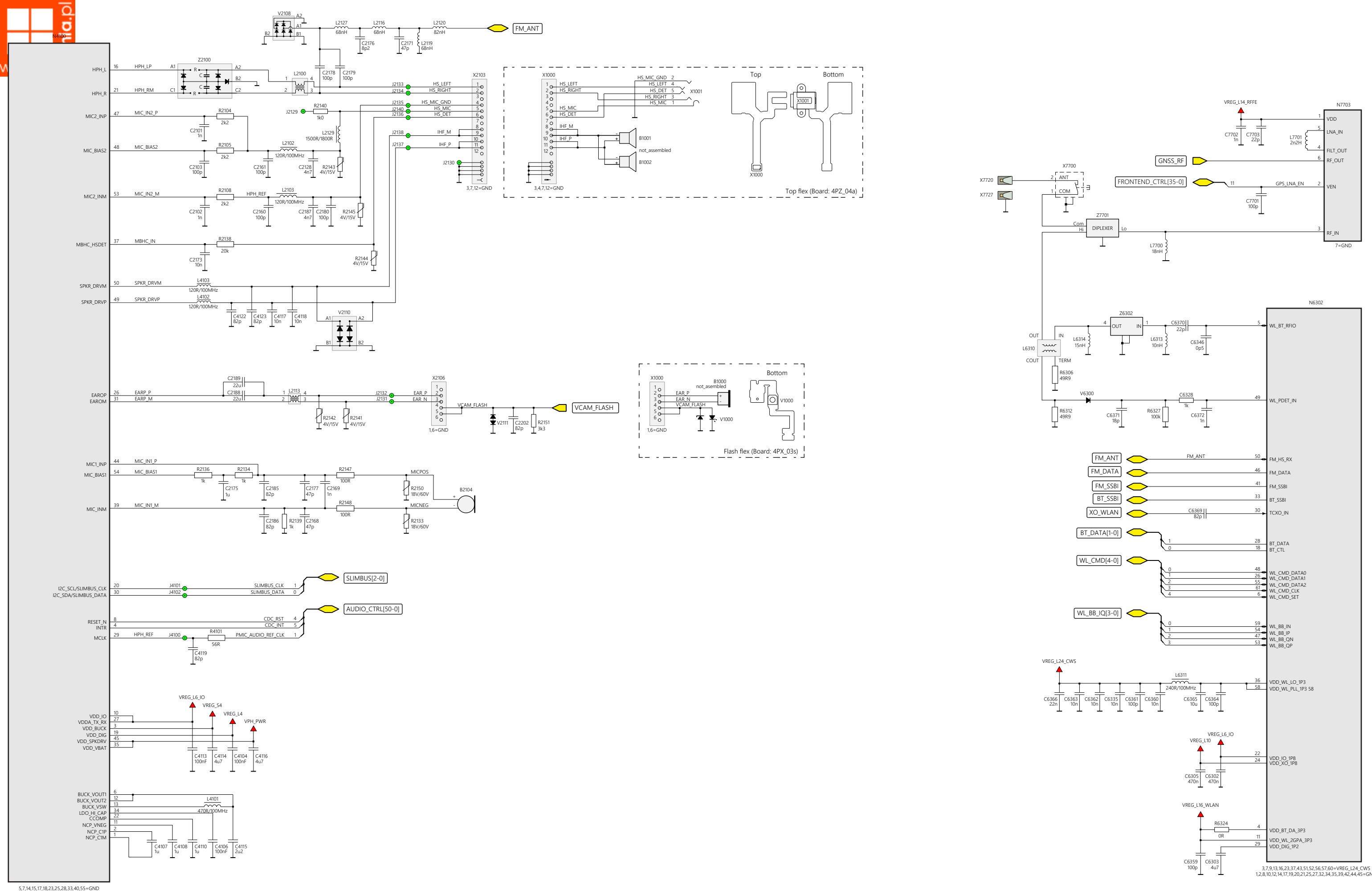
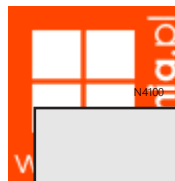


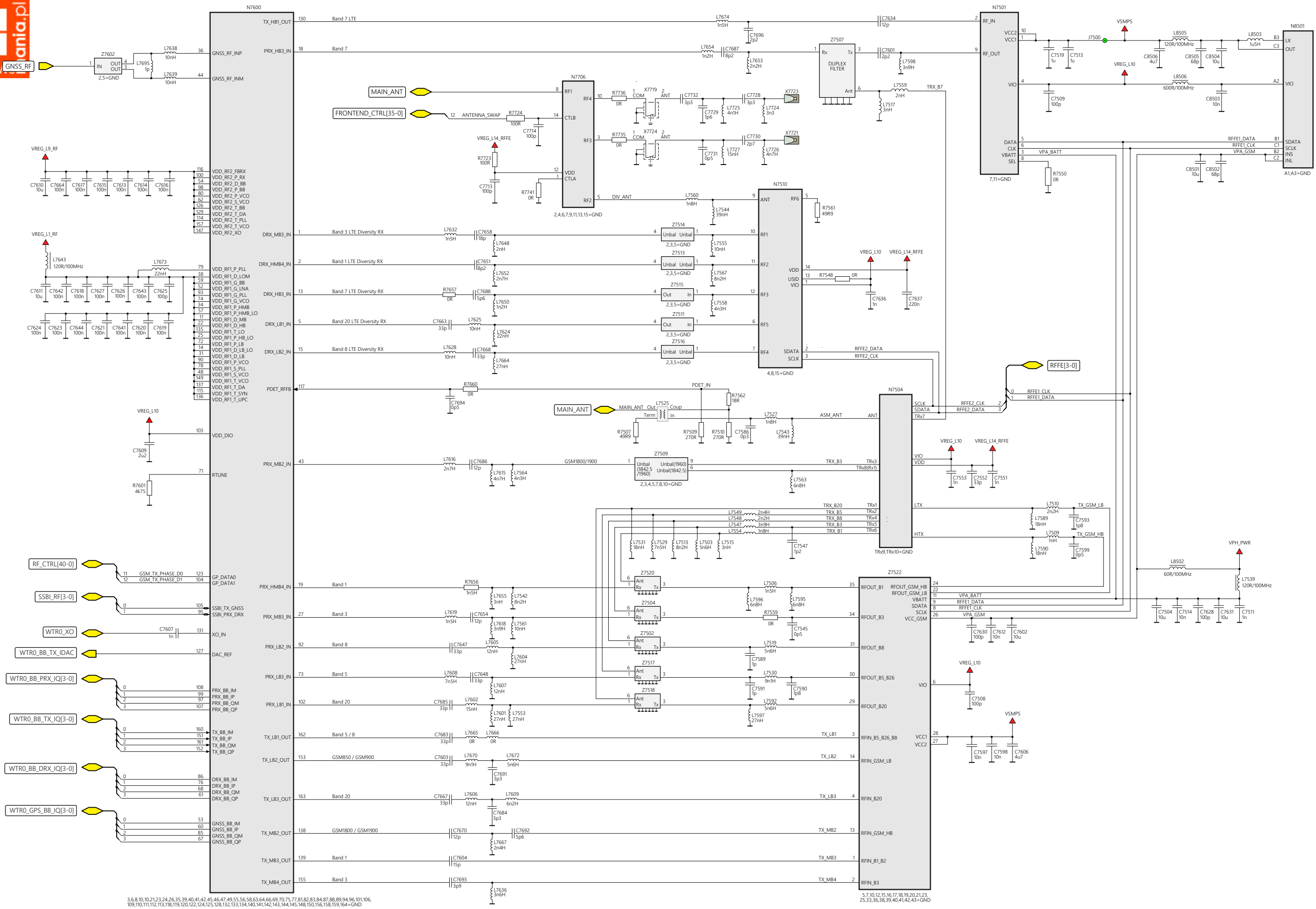
C2=VINT_VDD1_FIL
E6,F5,J10,K9=VREG_L17,EMMC
C6,M4,N4,P3,P5=VREG_L6_IO
A1,A2,A6,A8,A9,A10,A11,A12,A13,A14,B1,B7,B8,B9,B10,B11,B12,B13,B14,C1,C3,C4,C7,C8,C9,C10,C11,C12,C13,C14,D1,D2,D3,D4,
D12,D13,D14,E1,E2,E3,E7,E12,E13,E14,F1,F2,F3,F12,F13,F14,G1,G2,G5,G12,G13,G14,H1,H2,H3,H10,H12,H13,H14,I1,I2,I3,I5,I12,
J13,J14,K1,K2,K3,K8,K12,K13,K14,L1,L2,L3,L12,L13,L14,M1,M2,M3,M7,M8,M9,M10,M11,M12,M13,M14,N1,N2,N3,N5,N6,N7,N8,N9,
N10,N11,N12,N13,N14,P1,P2,P4,P6,P8,P9,P11,P12,P13,P14=GND



AF39,A12,AM39,AN2,AT39,AU2,AU36,AW16,AW32,AY13,AY21,B19,B23,B33,B37,F39,M39,W38,V39=VREG_L2,DDRRCORE
AA12,AA14,AA28,AC18,AC28,AD19,AD23,AD31,AE26,AE28,AF19,AF23,AF31,AG28,AH11,AH13,AH15,AH17,AH19,AH23,AH31,A110,A124,A128,L30,L14,L32,M23,M25,N22,N26,N32,P27,R20,R22,R30,T23,T27,W12,W18,W20=VREG_L3
A18,A34,A81,AA34,AB39,AG34,AK33,AL8,AM13,AN16,AY7,AY33,B5,C18,H25,H27,H31,J8,J24,J34,V7,Y35=VREG_L6_IO
AA16,AA18,AA22,AA24,AA30,AB21,AB23,AB27,AB29,AC14,AC16,AC24,AC30,AD13,AD15,AD21,AE14,AE16,AE18,AE24,AE30,AE32,AF21,AG18,AG26,AH21,A14,A20,AU26,AJ30,AK11,AK13,AK15,AK19,AK21,AL14,AL20,AL26,AL30,AM21,F23,H7,J20,K7,L20,L26,M27,N28,N30,P23,P25,P31,U20,U22,U26,W14,W16,W22,V23,W27,Y29=VREG_S1_CORE
G12,G14,G16,I10,I12,I16,I18,I19,I12,I16,I18,N8,N10,I12,I14,N16,N18,R10,R12,R14,R16,R18,U10,U12,U14,U16,U18,W10,W18=VREG_S2_XR
AZ,AG,A12,A14,A16,A20,A26,A32,A36,A38,AA40,AA8,AA20,AA26,AA32,AA40,AB7,AB9,AB11,AB13,AB15,AB17,AB19,AB25,AB31,AB33,AC,AC8,AC12,AC20,AC22,AC26,AC32,AD7,AD9,AD11,AD17,AD25,AD27,AD29,AE4,AE6,AE8,AE12,AE20,AE22,AE36,AE38,AF7,AF11,AF13,AF15,AF17,AF25,AF27,AF29,AG10,AG12,AG14,AG16,AG20,AG22,AG24,AG30,AG32,AG36,AG38,AH9,AH25,AH27,AH29,AH33,AH37,A12,A16,
A18,AU22,AJ32,AJ34,AJ38,AK5,AK9,AK17,AK23,AK25,AK27,AK29,AK31,AK37,AK39,AL6,AL12,AL18,AL22,AL24,AL28,AL32,AL36,AL38,AL40,AM1,AM5,AM7,AM11,AM17,AM25,AM27,AM31,AM33,AM37,AN8,AN12,AN18,AN20,AN22,AN26,AN28,AN32,AN38,AN40,AP5,AP7,AP9,AP17,AP21,AP27,AP31,AP39,AR18,AR28,AR30,AT1,AT9,AT15,AT23,AT25,AT29,AU10,AU14,AU18,AU20,AU24,AU28,AU30,AV13,
AV15,AW2,AW4,AW8,AW12,AW18,AV19,AW20,AV23,AW24,AV25,AV29,AW30,AW38,AW40,AV9,AY1,AY3,AY19,AY29,AY31,AY39,B1,B11,B13,B15,B17,B21,B25,B39,C8,C12,C14,C16,C20,C30,C32,D7,D9,D11,D13,D15,D17,D21,D29,D31,E1,E4,E16,E20,E30,E36,E38,E40,F9,F11,F13,F15,F17,F33,F35,F37,G8,G10,G18,G30,G32,G36,G38,H1,H3,H9,H13,H15,H17,H19,H23,H29,H33,H37,H39,J6,J14,J22,J26,J28,J32,J36,
K5,K9,K11,K13,K15,K17,K19,K21,K23,K25,K27,K29,K31,K33,K37,L22,L24,L28,M7,M9,M11,M13,M15,M17,M19,M21,M29,M31,M33,M37,N2,N6,N4,N4,N36,N40,P3,P7,P9,P11,P13,P15,P17,P19,P21,P29,P37,R4,R24,R26,R28,R32,R36,T1,T11,T13,T15,T17,T19,T21,T25,T31,T35,U24,U28,U30,U36,U40,W24,W26,W28,W32,W34,W36,V31,V11,V13,V15,V17,V19,V21,V25,V29,V31,V33,V35,Y9,Y11,Y13,Y15,Y17,Y19,Y21,Y25,Y31=GND

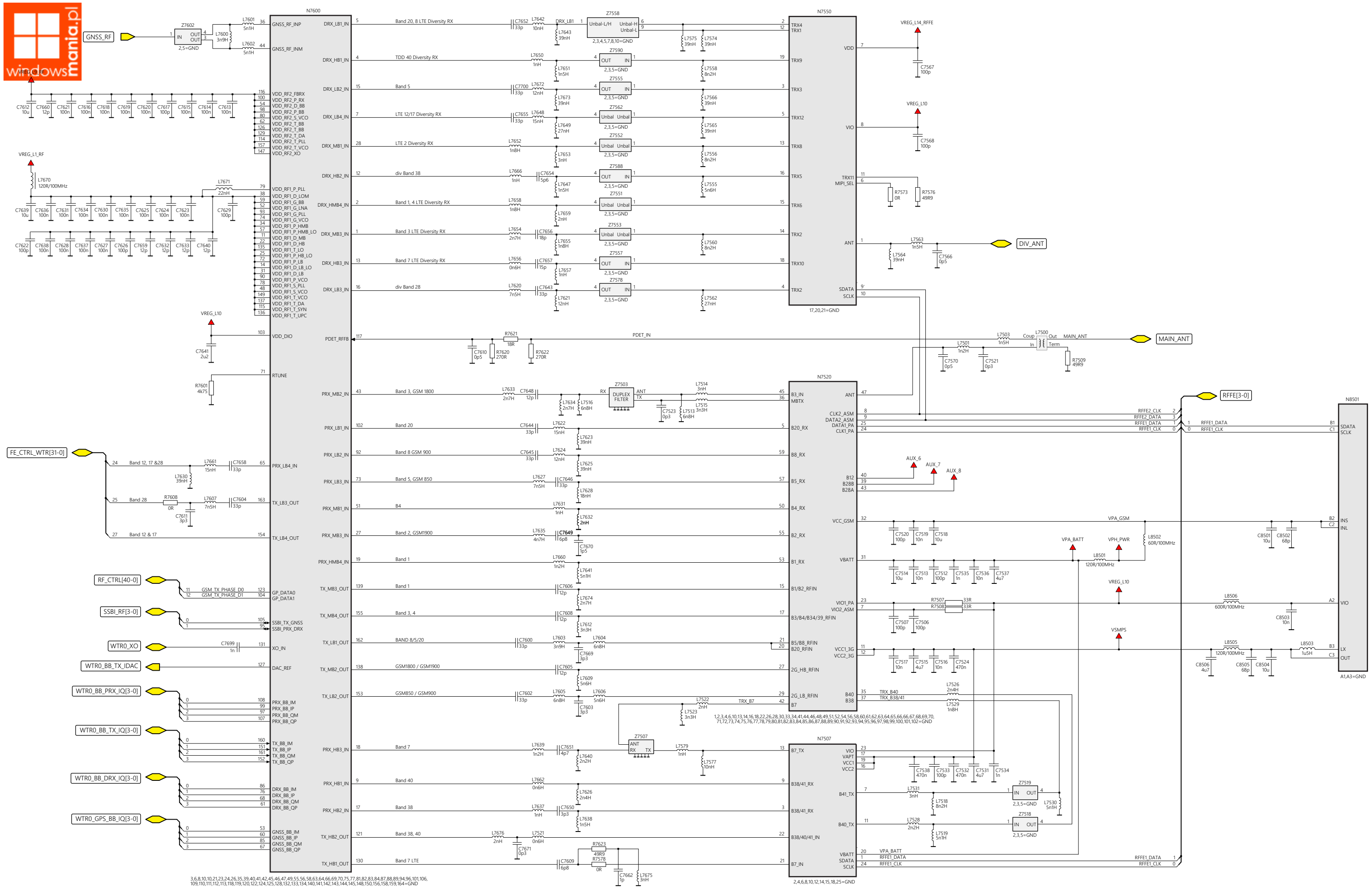


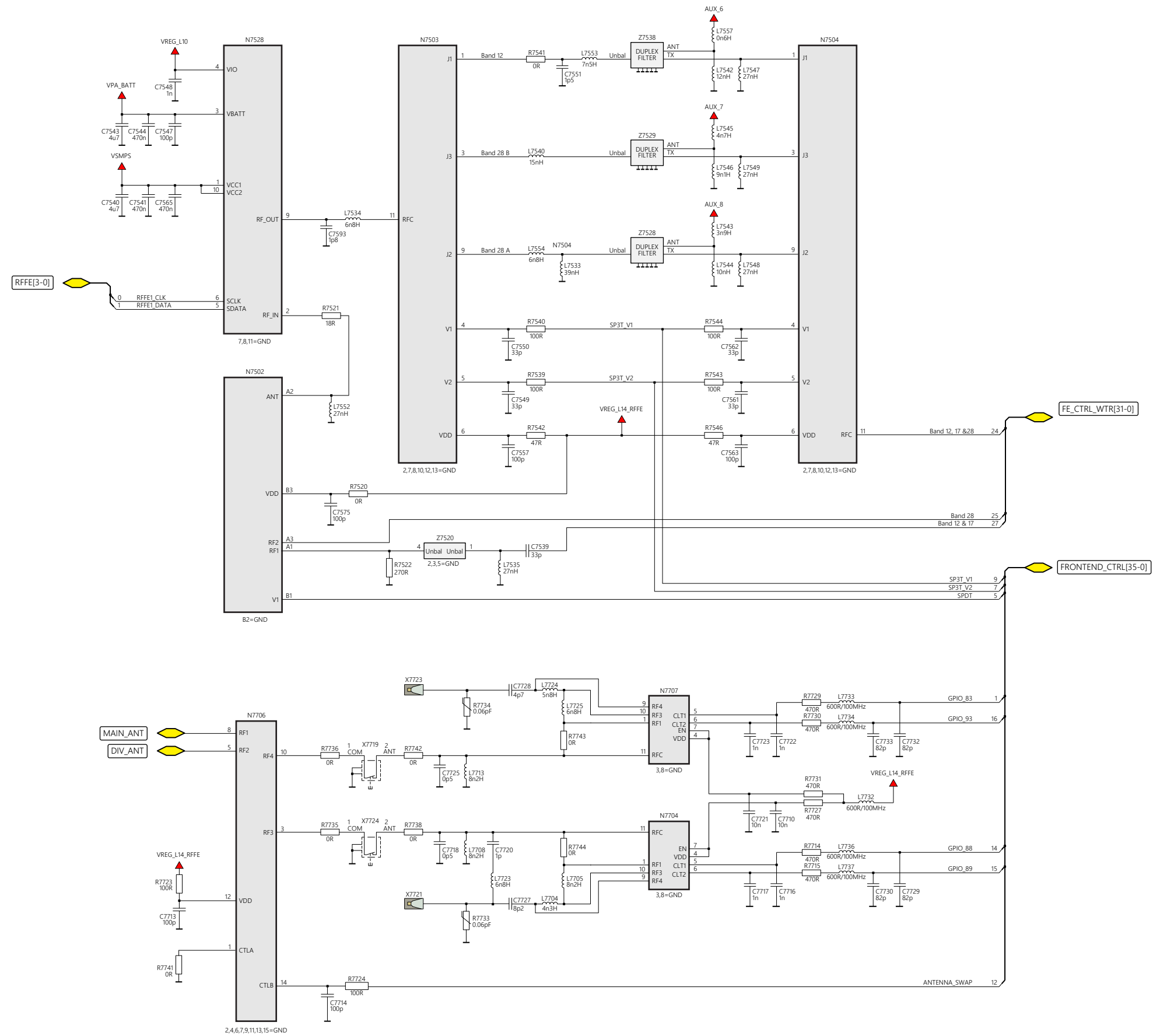


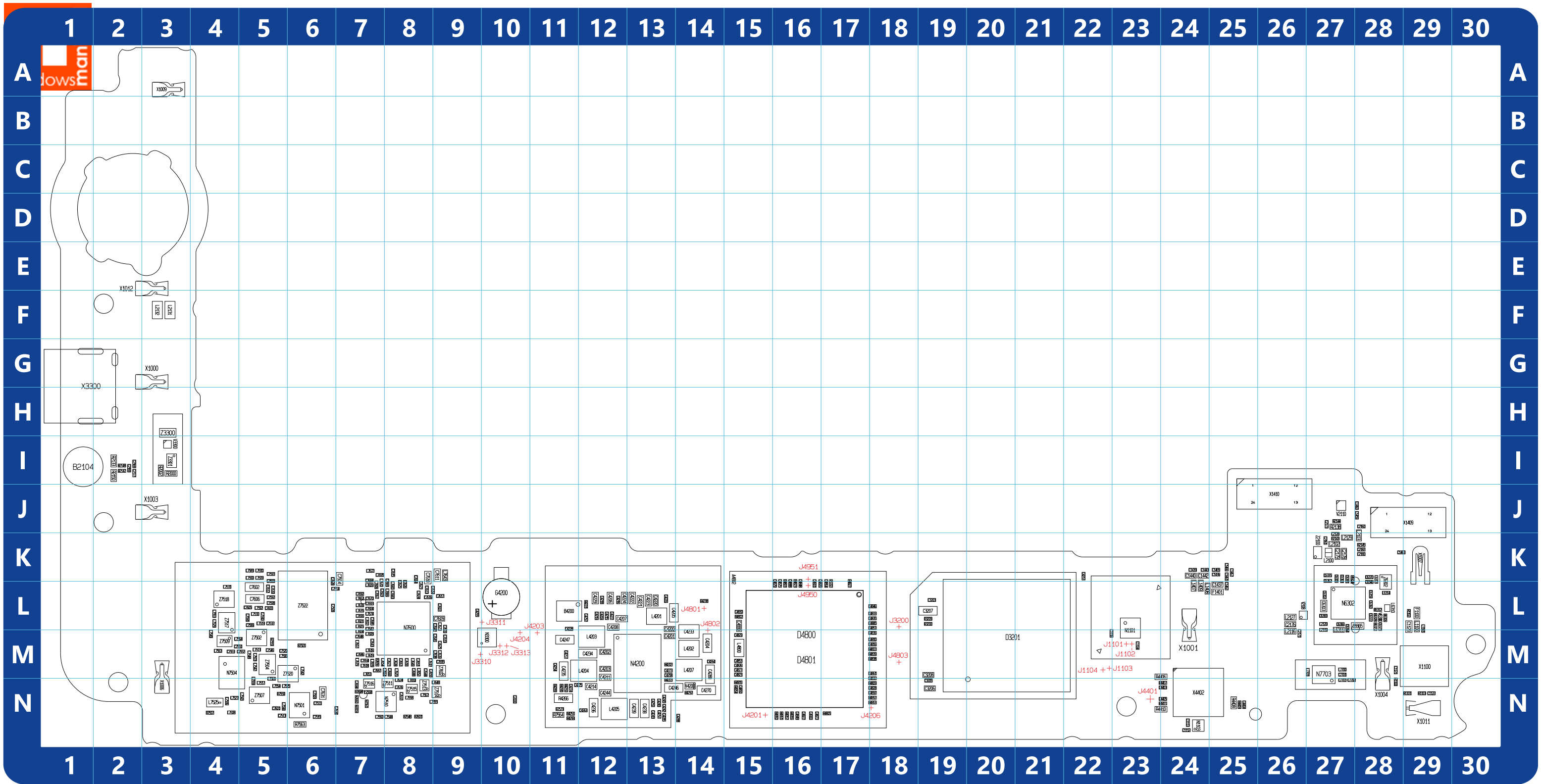


3,6,8,10,12,21,23,24,26,35,39,40,41,42,45,46,47,49,55,56,58,63,64,66,69,70,75,77,81,82,83,84,87,88,89,94,96,101,106,109,110,111,112,113,118,119,120,122,124,125,128,132,133,134,140,141,142,143,144,145,148,150,156,158,159,164-GND

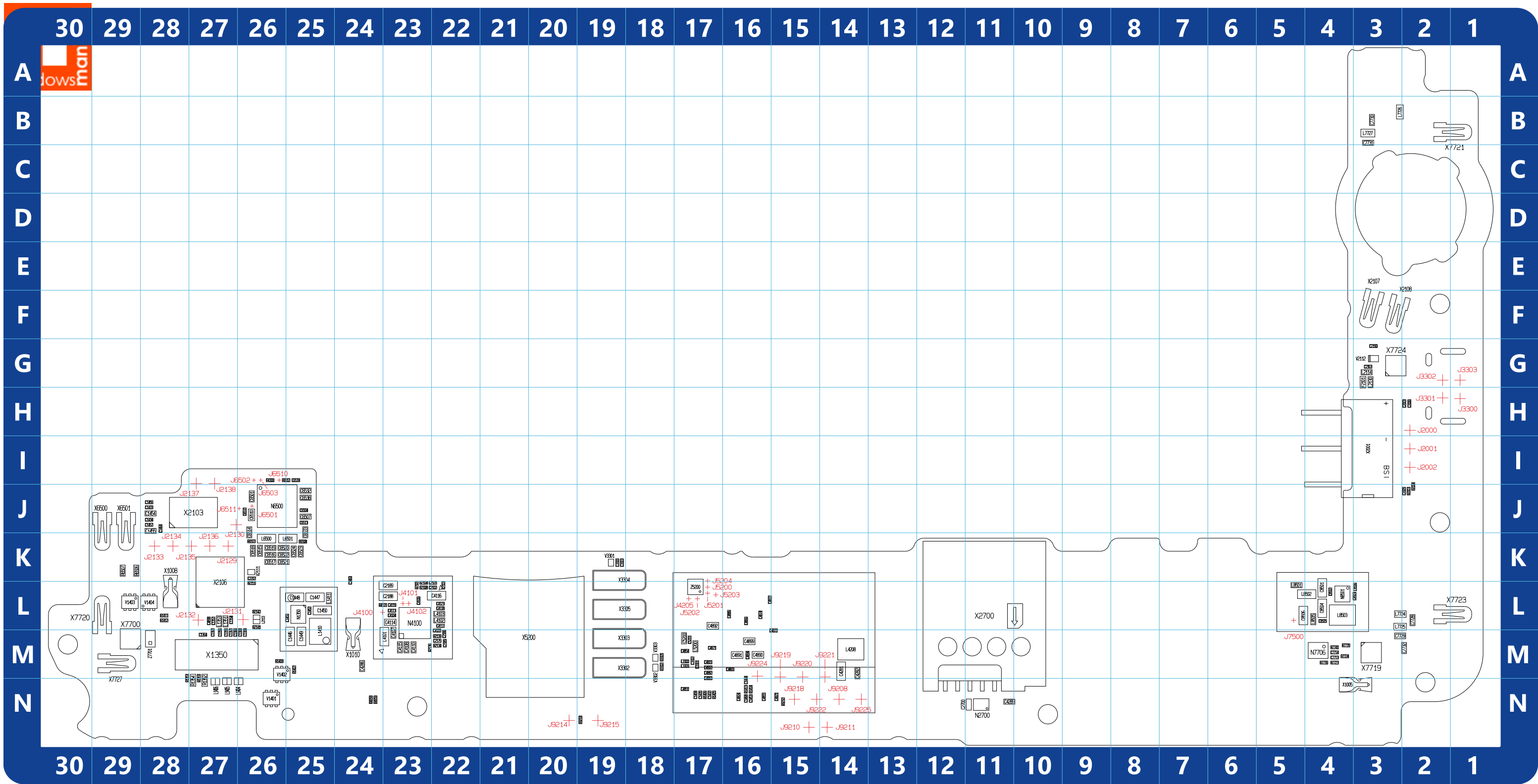
5,7,10,12,15,16,17,18,19,20,21,23,25,33,36,38,39,40,41,42,43-GND



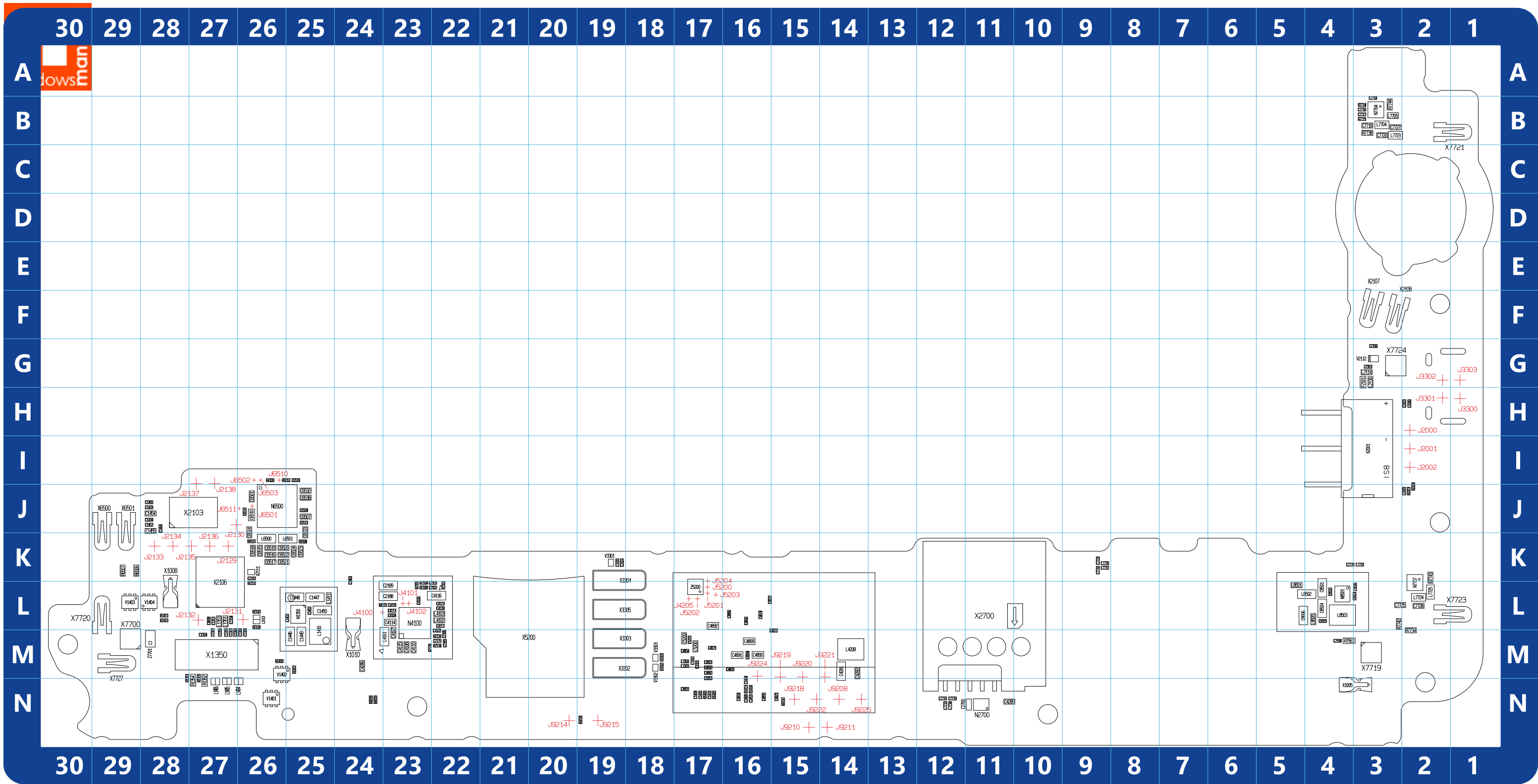




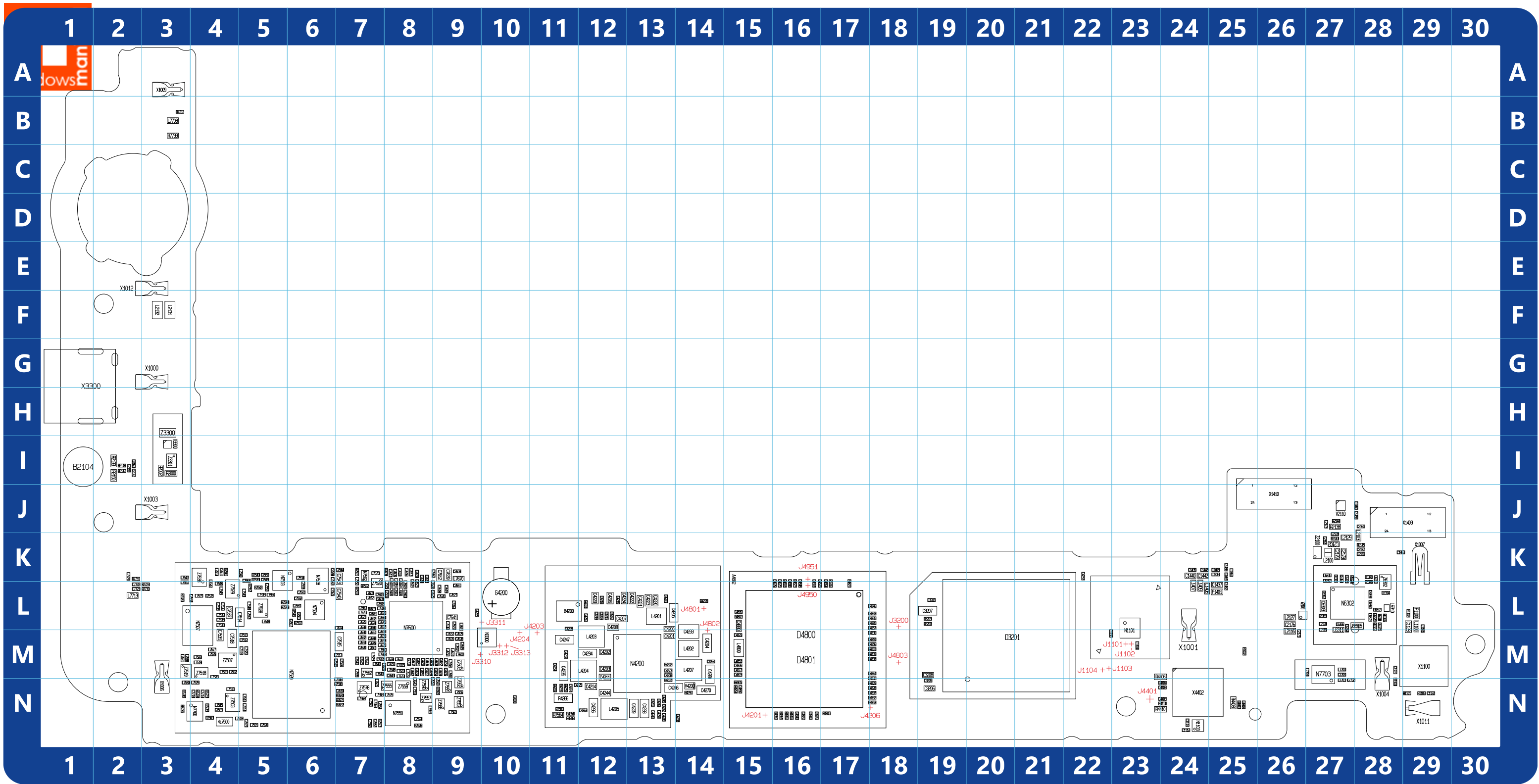
B	C1460	J28	C2179	K27	C4211	M12	C4235	M11	C4263	N12	C4830	L15	C4879	L16	C6365	L28	C7553	M4	C7610	K8	C7630	L5	C7669	L8	D3201	M20	L2119	M27	L7506	M5	L7549	M4	L7604	M7	L7643	K9	N	R2133	I2	R4297	N14	R4950	N16	R7559	M5	X1001	L24	Z4201	M14	Z7602	M9	J4803	M18		
B2104	I1	C1461	K25	C2180	K28	C4214	N12	C4236	N12	C4264	M14	C4832	N18	C4880	L15	C6366	L27	C7586	N4	C7611	K9	C7631	N6	C7670	L7	D4800	M16	L2120	L27	L7508	N4	L7553	L4	L7605	L7	L7648	N9	N1101	L23	R2138	J27	R4298	L14	R4951	N16	R7561	N7	X1003	J3	Z4202	M12	TST points	J4950	L16	
B4200	L11	C1462	L25	C2187	K28	C4215	L12	C4238	N13	C4270	N14	C4833	L18	C4885	L18	C6369	L27	C7589	L5	C7612	L5	C7634	N7	C7683	L8	D4801	M16	L2127	L26	L7509	K5	L7554	N5	L7606	L7	L7649	M8	N1103	N24	R2143	K27	R4299	N11	R4952	N18	R7563	N6	X1004	M28	Z4203	M11	J1101	M23	J4951	K16
C	C1463	K28	C3203	L19	C4216	L12	C4239	N13	C4273	M13	C4835	L18	C4888	L16	C6370	K28	C7590	L5	C7613	L8	C7636	N8	C7684	K7	F	L2129	K27	L7510	K5	L7555	N9	L7607	M7	L7650	N8	N3300	M10	R2144	J27	R4406	M24	R4953	N18	R7564	N11	X1006	M3	Z4208	M13	J1102	M23				
C1104	M23	C1465	K25	C3205	N19	C4217	M11	C4241	N13	C4274	N11	C4836	M18	C4897	N18	C6371	L28	C7591	L5	C7614	L9	C7637	N8	C7685	L7	F1100	L29	L2131	F3	L7513	M5	L7558	N8	L7608	M7	L7652	M8	N4200	M13	R2145	K28	R4407	N24	R4954	N15	R7579	N11	X1007	K29	Z6302	L28	J1103	M22		
C1112	N24	C1466	K25	C3206	N19	C4218	L12	C4242	N13	C4275	N11	C4846	L18	C4900	N16	C6372	L28	C7593	K5	C7615	K8	C7641	M9	C7686	M7	F1401	L25	L2132	F3	L7515	N5	L7559	N5	L7609	L7	L7653	M7	N6302	L27	R2147	I2	R4408	N25	R4955	N15	R7601	N8	X1009	A3	Z7502	M5	J1104	M22		
C1113	N24	C1467	K25	C3207	L19	C4219	L12	C4243	N13	C4280	M14	C4848	L16	C4901	L16	C7504	K7	C7597	L5	C7616	L8	C7642	L9	C7687	M7	G	L4201	L13	L7517	N5	L7560	N7	L7615	M7	L7654	M7	N7501	N6	R2148	I2	R4409	N25	R4956	N16	R7656	M7	X1011	N29	Z7504	M5	J3200	L18			
C1116	M22	C2000	N10	C3208	M19	C4220	L13	C4244	N12	C4285	N13	C4849	N16	C6302	L27	C7508	L6	C7598	L5	C7617	L9	C7643	M7	C7688	M8	G4200	L10	L4202	M14	L7519	L5	L7561	N5	L7616	M7	L7655	M7	N7504	M4	R2150	I2	R4410	N24	R4957	N16	R7658	N7	X1012	E3	Z7507	N5	J3310	M9		
C1121	M28	C2128	K27	C4200	L13	C4221	L13	C4246	N13	C4288	N14	C4850	N15	C6303	L27	C7509	N6	C7599	K5	C7618	M8	C7644	M8	C7691	K7	L	L4203	M12	L7525	N4	L7563	M4	L7618	M7	L7664	M8	N7510	N8	R3200	L19	R4411	N24	R5202	L17	R7659	N7	X1100	M29	Z7509	M4	J3311	L10			
C1122	N29	C2160	J28	C4201	M13	C4222	L13	C4247	M11	C4403	N24	C4853	M15	C6305	K27	C7511	N6	C7600	L5	C7619	M9	C7647	L7	C7692	L7	L1100	L29	L4204	M12	L7527	N4	L7564	M4	L7619	M7	L7665	L8	N7600	L8	R3209	L19	R4801	L16	R6306	L28	R7660	N7	X1409	J29	Z7511	N8	J3312	M10		
C1123	L29	C2161	K27	C4202	M12	C4223	L13	C4249	N13	C4404	N25	C4856	M18	C6335	K27	C7513	N5	C7601	N5	C7620	L9	C7648	M7	C7693	L7	L1101	L29	L4205	N12	L7529	L4	L7567	N8	L7624	N8	L7666	L8	N7703	M27	R4201	L12	R4802	L15	R6312	L28	V	X1410	J26	Z7513	N8	J3313	M10			
C1436	K25	C2168	I2	C4203	M12	C4224	L12	C4250	N13	C4405	N24	C4857	L18	C6346	L28	C7514	L6	C7602	L5	C7621	M9	C7651	M8	C7694	N7	L1407	L24	L4207	M14	L7530	L5	L7568	N7	L7625	M8	L7667	L7	R	R4202	M13	R4803	M18	R6324	K27	V2108	L26	X3300	G1	Z7514	N9	J4201	N15			
C1437	L25	C2169	I2	C4204	M14	C4226	L13	C4252	L12	C4810	M18	C4875	L16	C6359	L28	C7519	N6	C7603	L7	C7623	L8	C7654	M7	C7695	M9	L1408	L24	L4800	M15	L7531	L4	L7589	K5	L7628	M8	L7670	L7	R1100	N28	R4203	N13	R4805	N17	R6327	L28	V2110	J27	X4402	N24	Z7515	N8	J4203	M11		
C1439	K24	C2171	M26	C4205	L13	C4227	L12	C4253	K22	C4823	M15	C4864	L17	C6360	L28	C7520	M5	C7604	L7	C7624	L8	C7658	M8	C7696	L7	L1409	L24	L6310	L28	L7542	M6	L7590	K5	L7632	M8	L7672	K7	R1101	N29	R4250	N11	R4809	N18	R6328	L28	V3300	I3	Z	Z7516	N7	J4204	M10			
C1440	K24	C2173	J27	C4206	L12	C4228	L11	C4254	M11	C4826	L16	C4873	N16	C6361	K27	C7532	L5	C7605	L5	C7625	L8	C7663	M8	C7701	M27	L2100	K27	L6311	M27	L7543	N5	L7592	L5	L7635	L7	L7673	L9	R1102	L29	R4251	N11	R4823	L16	R7501	M6	V4200	N14	Z2100	K27	Z7517	L4	J4206	N18		
C1442	K24	C2176	L26	C4207	L12	C4229	L12	C4255	L9	C4827	N16	C4875	L16	C6362	K27	C7546	M5	C7606	L5	C7626	L8	C7664	K8	C7702	N27	L2102	K27	L6313	K28	L7544	N8	L7598	N5	L7636	L7	L7674	L7	R1103	N29	R4266	N11	R4827	L17	R7507	N4	V6300	L28	Z3300	H3	Z7518	L4	J4401	N23		
C1443	K24	C2177	I2	C4208	L12	C4233	M14	C4257	N13	C4828	N18	C4876	M15	C6363	K27	C7551	M4	C7607	L9	C7627	M8	C7667	L7	C7703	N27	L2103	K28	L6314	L28	L7547	M5	L7601	L7	L7638	M9	L7700	M27	R2000	I3	R4289	N11	R4838	M18	R7548	N8	X	Z3301	I3	Z7520	M6	J4801	L14			
C1459	J28	C2178	K27	C4209	L12	C4234	M12	C4258	M13	C4829	M15	C4877	M15	C6364	L27	C7552	M5	C7609	L9	C7628	L6	C7668	M8	D	L2116	M26	L7503	M5	L7548	M5	L7602	L7	L7639	M9	L7701	M27	R2002	I3	R4291	N11	R4839	M18	R7550	N5	X1000	G3	Z4200	L13	Z7522	L6	J4802	M14			



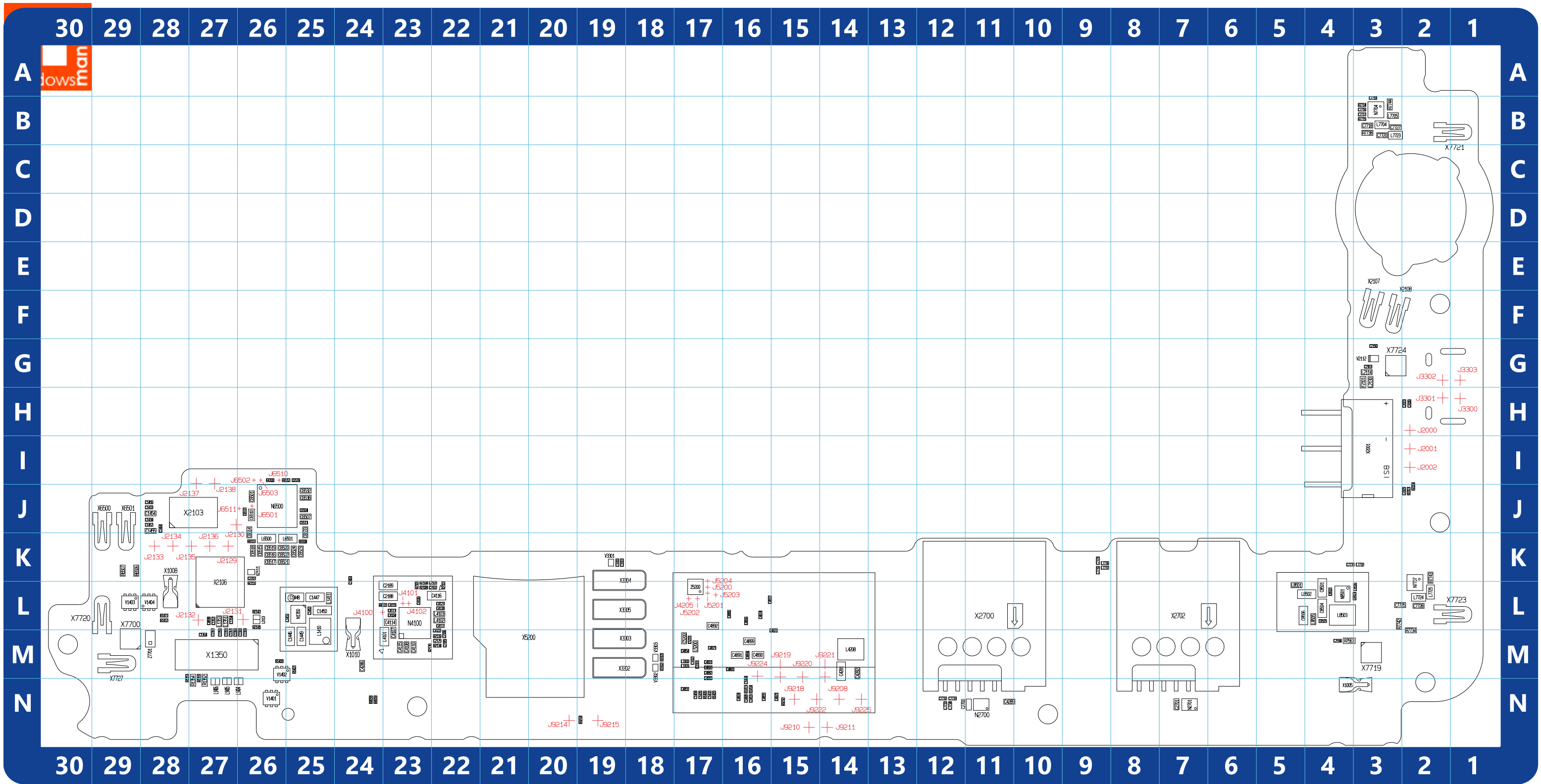
C	C1448	L25	C2102	L22	C4108	M23	C4822	L16	C4899	M16	C6524	K25	C8506	L5	L4103	L22	N6500	J26	R2104	L23	R6508	K25	V3303	M18	X6501	J29	J2130	J27	J5201	L17	J9221	M14	
C1354	L27	C1449	M25	C2103	L22	C4110	M23	C4824	N16	C5200	M17	C6532	J25	F	L4208	M14	N7706	M4	R2105	L23	R6512	I25	X	X7700	M29	J2131	L26	J5202	L17	J9222	N15		
C1355	M27	C1450	L25	C2163	G3	C4113	L23	C4851	N17	C5201	M17	C6533	J25	F2101	G	L5200	M17	N8501	L4	R2108	L23	R7723	M4	X1005	N3	X7719	M3	J2132	L27	J5203	L17	J9224	M16
C1356	M27	C1451	L25	C2175	M22	C4114	L23	C4854	M17	C6501	J26	C6537	J26	L	L6500	K26	R	R2134	M22	R7724	M4	X1008	L28	X7720	L29	J2133	K28	J5204	K17	J9225	N14		
C1357	L27	C1452	L25	C2185	M22	C4115	M23	C4855	N16	C6504	J25	C6538	J25	L1351	L27	L6501	K25	R1351	M27	R2136	M23	R7735	M4	X1010	M24	X7721	B1	J2134	K28	J6501	J26		
C1362	M27	C1453	N16	C2186	M22	C4116	L22	C4865	M16	C6507	J25	C6539	I25	L1353	L27	L7724	L3	R1352	N27	R2139	M22	R7736	M4	X1350	M27	X7723	L1	J2135	K27	J6502	I26		
C1364	M27	C1454	J28	C2188	L23	C4117	L22	C4866	L16	C6510	J26	C6541	J26	C7713	M4	L1404	N26	R1353	M28	R2141	L26	R7741	M4	X2001	I3	X7724	G3	J2136	K27	J6503	I26		
C1366	M27	C1455	J28	C2189	L23	C4118	L22	C4871	M17	C6513	J25	C7714	M4	L1405	N27	L7726	B3	R1354	N27	R2142	L26	R9292	N15	X2103	J27	X7727	M29	J2137	I27	J6510	I26		
C1367	M27	C1456	J28	C2190	G3	C4119	L23	C4872	M15	C6514	J26	C7728	L2	L1406	N27	L7727	B3	R1405	N17	R2151	L26	R9293	N19	X2106	L27	Z	J2138	I27	J6511	J26			
C1368	M26	C1457	J28	C2202	K26	C4122	M22	C4874	L16	C6515	K26	C7729	M3	L1410	M25	L8501	L5	R1406	N17	R3301	M18	V	X2107	F3	Z4204	H2	J3300	H1	J7500	L5			
C1369	M26	C1458	N17	C2700	N11	C4123	L22	C4882	M17	C6516	K26	C7730	B3	L1411	L25	L8502	L4	R1407	M25	R3302	M18	V1401	N26	X2108	F3	Z4206	M14	J3301	H2	J9208	N14		
C1432	N17	C1464	J28	C3300	K19	C4281	M14	C4883	M17	C6517	K26	C7731	B3	L2113	L26	L8503	L4	R1408	M26	R4101	L24	V1402	M26	X2700	L11	Z5200	L17	J3302	G2	J9210	N15		
C1433	J28	C1468	N16	C3301	M17	C4282	M14	C4886	L16	C6518	K26	C7732	M2	L2114	G3	L8505	L4	R1411	L28	R4300	I26	V1403	L29	X3302	M18	Z7701	M28	J3303	G1	J9211	N14		
C1434	J28	C1469	K24	C3302	M17	C4286	M24	C4890	M16	C6519	K26	C8501	L4	L2130	G3	L8506	L3	R1412	L28	R4958	N24	V1404	L28	X3303	M18	TST points	J4100	L24	J9214	N20			
C1435	N17	C2003	H2	C3303	K19	C4289	N11	C4891	M16	C6520	K26	C8502	L4	L3300	M17	N	R1413	N16	R4959	N24	V2111	K26	X3304	K18	J2000	H2	J4101	L23	J9215	N19			
C1444	N16	C2005	J2	C4104	L23	C4801	M17	C4892	L17	C6521	K26	C8503	L3	L3301	M17	N1350	L25	R1414	N16	R6503	K26	V2112	G3	X3305	L18	J2001	I2	J4102	L23	J9218	N15		
C1446	M25	C2006	H2	C4106	L23	C4802	M17	C4894	M16	C6522	K26	C8504	L4	L4101	M23	N2700	N11	R2003	J2	R6506	K29	V3301	K19	X5200	M20	J2002	I2	J4205	L17	J9219	M15		
C1447	L25	C2101	L22	C4107	M23	C4821	N15	C4898	L27	C6523	K25	C8505	L4	L4102	L22	N4100	L23	R2004	J2	R6507	K29	V3302	M18	X6500	J29	J2129	K27	J5200	L17	J9220	M15		



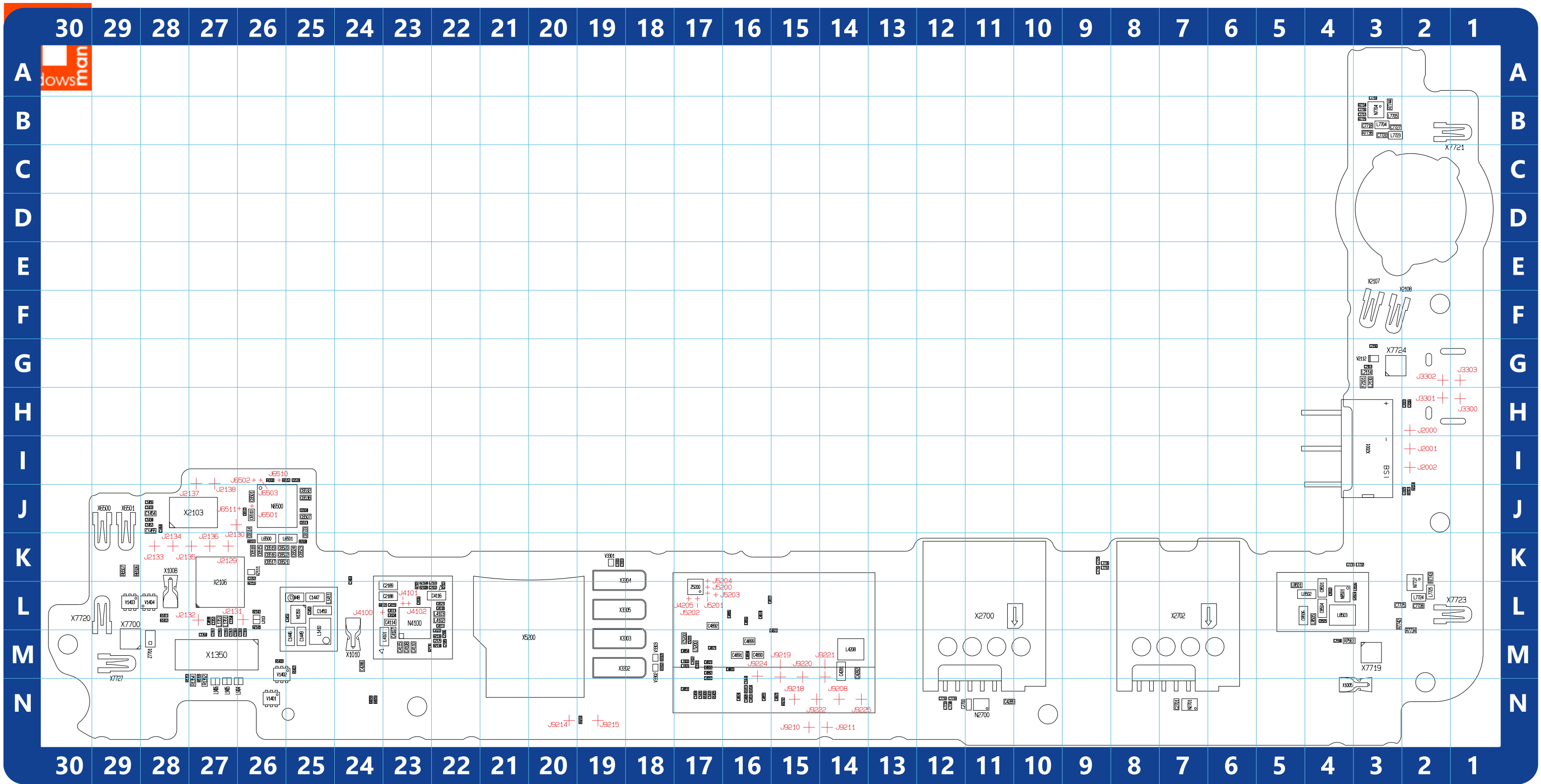
C	C1448	L25	C2102	L22	C4108	M23	C4822	L16	C4899	M16	C6524	K25	C7732	N12	L2113	L26	L7734	N12	R1351	M27	R2136	M23	R7715	B3	X	X7700	M29	J2131	L26	J5202	L17	J9224	M16		
C1354	L27	C1449	M25	C2103	L22	C4110	M23	C4824	N16	C5200	M17	C6532	J25	C7733	N12	L2114	G3	L7734	N12	R1352	N27	R2139	M22	R7734	M2	X1005	N3	X7719	M3	J2132	L27	J5203	L17	J9225	N14
C1355	M27	C1450	L25	C2163	G3	C4113	L23	C4851	N17	C5201	M17	C6533	J25	C8501	L4	L2130	G3	L7736	K9	R1353	M28	R2141	L26	R7738	B3	X1008	L28	X7720	L29	J2133	K28	J5204	K17		
C1356	M27	C1451	L25	C2175	M22	C4114	L23	C4854	M17	C6501	J26	C6537	J26	C8502	L4	L3300	M17	L7737	K9	R1354	N27	R2142	L26	R7742	L3	X1010	M24	X7721	B1	J2134	K28	J6501	J26		
C1357	L27	C1452	L25	C2185	M22	C4115	M23	C4855	N16	C6504	J25	C6538	J25	C8503	L3	L3301	M17	L8501	L5	R1405	N17	R2151	L26	R7743	K2	X1350	M27	X7723	L1	J2135	K27	J6502	I26		
C1362	M27	C1453	N16	C2186	M22	C4116	L22	C4865	M16	C6507	J25	C6539	I25	C8504	L4	L4101	M23	L8502	L4	R1406	N17	R3301	M18	R7744	B3	X2001	I3	X7724	G3	J2136	K27	J6503	I26		
C1364	M27	C1454	J28	C2188	L23	C4117	L22	C4866	L16	C6510	J26	C7594	M4	C8505	L4	L4102	L22	L8503	L4	R1407	M25	R3302	M18	R9292	N15	X2103	J27	X7727	M29	J2137	I27	J6510	I26		
C1366	M27	C1455	J28	C2189	L23	C4118	L22	C4871	M17	C6513	J25	C7710	B3	C8506	L5	L4103	L22	L8505	L4	R1408	M26	R4101	L24	R9293	N19	X2106	L27	Z	J2138	I27	J6511	J26			
C1367	M27	C1456	J28	C2190	G3	C4119	L23	C4872	M15	C6514	J26	C7716	B3	F	L4208	M14	L8506	L3	R1411	L28	R4300	I26	V	X2107	F3	Z4204	H2	J3300	H1	J9208	N14				
C1368	M26	C1457	J28	C2202	K26	C4122	M22	C4874	L16	C6515	K26	C7717	B3	F2101	G3	L5200	M17	N	R1412	L28	R4958	N24	V1401	N26	X2108	F3	Z4206	M14	J3301	H2	J9210	N15			
C1369	M26	C1458	N17	C2700	N11	C4123	L22	C4882	M17	C6516	K26	C7718	B3	L	L6500	K26	N1350	L25	R1413	N16	R4959	N24	V1402	M26	X2700	L11	Z5200	L17	J3302	G2	J9211	N14			
C1432	N17	C1464	J28	C3300	K19	C4281	M14	C4883	M17	C6517	K26	C7720	B3	L1351	L27	L6501	K25	N2700	N11	R1414	N16	R6503	K26	V1403	L29	X3302	M18	Z7701	M28	J3303	G1	J9214	N20		
C1433	J28	C1468	N16	C3301	M17	C4282	M14	C4886	L16	C6518	K26	C7725	L3	L1353	L27	L7704	B3	N4100	L23	R2003	J2	R6506	K29	V1404	L28	X3303	M18	TST points	J4100	L24	J9215	N19			
C1434	J28	C1469	K24	C3302	M17	C4286	M24	C4890	M16	C6519	K26	C7727	B3	L1404	N26	L7705	B3	N6500	J26	R2004	J2	R6507	K29	V2111	K26	X3304	K18	J2000	H2	J4101	L23	J9218	N15		
C1435	N17	C2003	H2	C3303	K19	C4289	N11	C4891	M16	C6520	K26	C7728	L2	L1405	N27	L7723	B3	N7704	B3	R2104	L23	R6508	K25	V2112	G3	X3305	L18	J2001	I2	J4102	L23	J9219	M15		
C1444	N16	C2005	J2	C4104	L23	C4801	M17	C4892	L17	C6521	K26	C7729	K9	L1406	N27	L7724	L2	N7707	L2	R2105	L23	R6512	I25	V3301	K19	X5200	M20	J2002	I2	J4205	L17	J9220	M15		
C1446	M25	C2006	H2	C4106	L23	C4802	M17	C4894	M16	C6522	K26	C7730	K9	L1410	M25	L7725	L2	N8501	L4	R2108	L23	R7563	M4	V3302	M18	X6500	J29	J2129	K27	J5200	L17	J9221	M14		
C1447	L25	C2101	L22	C4107	M23	C4821	N15	C4898	L27	C6523	K25	C7731	K4	L1411	L25	L7732	K3	R	R2134	M22	R7714	B3	V3303	M18	X6501	J29	J2130	J27	J5201	L17	J9222	N15			



	1	2	3	4	5	6	7	8	9	10	11	12	13	14	15	16	17	18	19	20	21	22	23	24	25	26	27	28	29	30																																			
B	C1460	J28	C2179	K27	C4211	M12	C4235	M11	C4263	N12	C4830	L15	C4879	L16	C6365	L28	C7523	N4	C7550	K5	C7605	L7	C7624	L9	C7643	M8	C7669	L8	F1100	L29	L2131	F3	L7515	N4	L7544	L5	L7566	N7	L7623	L7	L7643	N8	L7670	K9	N7503	K5	R2138	J27	R4298	L14	R4951	N16	R7522	L7	R7621	N7	V6300	L28	Z3300	H3	Z7553	N9	J3313	M10	
B2104	I1	C1461	K25	C2180	K28	C4214	N12	C4236	N12	C4264	M14	C4832	N18	C4880	L15	C6366	L27	C7524	M7	C7551	K4	C7606	L7	C7625	L9	C7644	L7	C7670	M7	F1401	L25	L2132	F3	L7516	N4	L7545	L4	L7574	N8	L7624	L7	L7647	N9	L7671	L9	N7504	L6	R2143	K27	R4299	N11	R4952	N18	R7525	L3	R7622	N7	X	Z3301	I3	Z7555	N8	J4201	N15	
B4200	L11	C1462	L25	C2187	K28	C4215	L12	C4238	N13	C4270	M14	C4833	L18	C4885	L18	C6369	L27	C7531	M4	C7557	L5	C7608	L7	C7626	M9	C7645	L7	C7671	L7	G4200	L10	L4201	L13	L7518	M3	L7546	L4	L7575	N8	L7625	L7	L7648	M8	L7672	M8	N7507	L4	R2144	J27	R4406	M24	R4953	N18	R7539	K5	R7623	L7	X1000	G3	Z4200	L13	Z7557	N8	J4203	M11
C	C1463	K28	C3203	L19	C4216	L12	C4239	N13	C4273	M13	C4835	L18	C4888	L16	C6370	K28	C7532	L4	C7561	L6	C7609	L7	C7627	L9	C7646	L7	C7699	L9	G4200	L10	L4202	M14	L7519	M4	L7547	L4	L7577	M4	L7626	M7	L7649	M7	L7673	M8	N7520	M6	R2145	K28	R4407	N24	R4954	N15	R7540	K5	R7723	N4	X1001	L24	Z4201	M14	Z7558	N8	J4204	M10	
C1104	M23	C1465	K25	C3205	N19	C4217	M11	C4241	N13	C4274	N11	C4836	M18	C4897	N18	C6371	L28	C7533	L4	C7562	L6	C7610	N7	C7628	M9	C7648	M7	C7700	M8	L	L4203	M12	L7521	L4	L7548	L5	L7579	M4	L7627	L7	L7650	M8	L7674	L7	N7528	K6	R2147	I2	R4408	N25	R4955	N15	R7541	K4	R7724	N4	X1003	J3	Z4202	M12	Z7562	M7	J4206	N18	
C1112	N24	C1466	K25	C3206	N19	C4218	L12	C4242	N13	C4275	N11	C4846	L18	C4900	N16	C6372	L28	C7534	L4	C7563	L6	C7611	K8	C7629	M9	C7649	M7	C7701	M27	L1100	L29	L4204	M12	L7522	M4	L7549	L5	L7600	M9	L7628	L7	L7651	M8	L7675	L7	N7550	N8	R2148	I2	R4409	N25	R4956	N16	R7542	L5	R7727	B3	X1004	M28	Z4203	M11	Z7578	N7	J4401	N23
C1113	N24	C1467	K25	C3207	L19	C4219	L12	C4243	N13	C4280	M14	C4848	L16	C4901	L16	C7506	N7	C7535	L4	C7564	K5	C7612	K9	C7630	K8	C7650	M8	C7702	N27	L1101	L29	L4205	N12	L7523	M4	L7552	K7	L7601	M9	L7630	M7	L7652	M9	L7676	L7	N7600	L8	R2150	I2	R4410	N24	R4957	N16	R7543	L5	R7729	L3	X1006	M3	Z4208	M13	Z7588	N9	J4801	L14
C1116	M22	C2000	N10	C3208	M19	C4220	L13	C4244	N12	C4285	N13	C4849	N16	C6302	L27	C7507	L6	C7536	L4	C7565	L6	C7613	K8	C7631	M8	C7651	M7	C7703	N27	L1407	L24	L4207	M14	L7526	M4	L7553	K4	L7602	M9	L7631	M7	L7653	M9	L7700	M27	N7703	M27	R3200	L19	R4411	N24	R5202	L17	R7544	L5	R7730	L3	X1007	K29	Z6302	L28	Z7590	N8	J4802	M14
C1121	M28	C2128	K27	C4200	L13	C4221	L13	C4246	N13	C4288	N14	C4850	N15	C6303	L27	C7512	M5	C7537	L4	C7566	N7	C7614	K8	C7632	M9	C7652	M8	C7713	N4	L1408	L24	L4800	M15	L7528	M4	L7554	L5	L7603	L8	L7632	M7	L7654	M9	L7701	M27	N7706	N4	R3209	L19	R4801	L16	R6306	L28	R7546	L6	R7731	K2	X1009	A3	Z7503	N4	Z7602	M9	J4803	M18
C1122	N29	C2160	J28	C4201	M13	C4222	L13	C4247	M11	C4403	N24	C4853	M15	C6305	K27	C7513	M5	C7538	L4	C7567	N7	C7615	M9	C7633	M7	C7654	M9	C7714	N4	L1409	L24	L6310	L28	L7529	N4	L7555	N8	L7604	L8	L7633	M7	L7655	M9	L7708	B3	R	R4201	L12	R4802	L15	R6312	L28	R7552	L5	R7733	B3	X1011	N29	Z7507	M4	Z7603	M9	J4950	L16	
C1123	L29	C2161	K27	C4202	M12	C4223	L13	C4249	N13	C4404	N25	C4856	M18	C6335	K27	C7514	L5	C7539	L8	C7568	N7	C7616	K8	C7634	M8	C7655	M8	C7721	K2	L2100	K27	L6311	M27	L7530	N3	L7556	N9	L7605	L8	L7634	M7	L7656	M8	L7713	L2	R1002	M25	R4202	M13	R4803	M18	R6324	K27	R7564	N11	R7735	N3	X1012	E3	Z7518	M4	J1101	M23	J4951	K16
C1436	K25	C2168	I2	C4203	M12	C4224	L12	C4250	N13	C4405	N24	C4857	L18	C6346	L28	C7515	M7	C7540	L7	C7570	N5	C7617	K8	C7635	M7	C7656	M9	C7722	L2	L2102	K27	L6313	K28	L7531	M3	L7557	L3	L7606	K8	L7635	M7	L7657	N9	N	R1100	N28	R4203	N13	R4805	N17	R6327	L28	R7573	N7	R7736	N4	X1100	M29	Z7519	M3	J1102	M23			
C1437	L25	C2169	I2	C4204	M14	C4226	L13	C4247	M11	C4810	M18	C4861	M18	C6359	L28	C7516	M7	C7541	L6	C7575	K7	C7618	L9	C7636	L9	C7657	M8	C7723	L2	L2103	K28	L6314	L28	L7533	L5	L7558	N8	L7607	L8	L7637	M7	L7658	M9	N1101	L23	R1101	N29	R4250	N11	R4809	N18	R6328	L28	R7576	N8	R7741	N3	X1409	J29	Z7520	L7	J1103	M22		
C1439	K24	C2171	M26	C4205	L13	C4227	L12	C4253	K22	C4823	M15	C4864	L17	C6360	L28	C7517	M7	C7543	K7	C7593	L6	C7619	L9	C7637	M9	C7658	M7	D	L2116	M26	L7500	N4	L7534	K6	L7560	N9	L7609	L7	L7638	M7	L7659	M9	N1103	N24	R1102	L29	R4251	N11	R4823	L16	R7507	L6	R7578	L4	V	X1410	J26	Z7528	L5	J1104	M22				
C1440	K24	C2173	J27	C4206	L12	C4228	L11	C4254	M11	C4826	L16	C4873	N16	C6361	K27	C7518	M4	C7544	K7	C7600	L8	C7620	L9	C7638	M8	C7659	K9	D3201	M20	L2119	M27	L7501	N5	L7535	L8	L7562	N7	L7612	L7	L7639	M8	L7660	M7	N3300	M10	R1103	N29	R4266	N11	R4827	L17	R7508	N7	R7580	N11	V2108	L26	X3300	G1	Z7529	L4	J3200	L18		
C1442	K24	C2176	L26	C4207	L12	C4229	L12	C4255	L9	C4827	N16	C4875	L16	C6362	K27	C7519	M5	C7547	K6	C7602	L8	C7621	L9	C7639	K9	C7660	K9	D4800	M16	L2120	L27	L7503	N5	L7540	K5	L7563	N7	L7620	M8	L7640	M7	L7661	M7	N4200	M13	R2000	I3	R4289	N11	R4838	M18	R7509	N4	R7601	N9	V2110	J27	X4402	N24	Z7538	K4	J3310	M9		
C1443	K24	C2177	I2	C4208	L12	C4233	M14	C4257	N13	C4828	N18	C4876	M15	C6363	K27	C7520	M5	C7548	K6	C7603	K8	C7622	L8	C7640	M7	C7661	L9	D4801	M16	L2121	L26	L7513	N5	L7542	K3	L7564	N7	L7621	N7	L7641	M7	L7662	M7	N6302	L27	R2002	I3	R4291	N11	R4839	M18	R7520	L7	R7608	K8	V3300	I3	Z	Z7551	N9	J3311	L10			
C1459	J28	C2178	K27	C4209	L12	C4234	M12	C4258	M13	C4829	M15	C4877	M15	C6364	L27	C7521	N5	C7549	K5	C7604	L8	C7623	L8	C7641	L9	C7662	L7	F	L2129	K27	L7514	N5	L7543	L5	L7565	M7	L7622	L7	L7642	M8	N7502	K7	R2133	I2	R4297	N14	R4950	N16	R7521	K7	R7620	N7	V4200	N14	Z2100	K27	Z7552	N9	J3312	M10					



C	C1448	L25	C2102	L22	C4107	M23	C4821	N15	C4898	L27	C6523	K25	C7731	K4	L1411	L25	L7732	K3	N8501	L4	R2108	L23	R7563	M4	V3302	M18	X5200	M20	J2002	I2	J4205	L17	J9220	M15	
C1354	L27	C1449	M25	C2103	L22	C4108	M23	C4822	L16	C4899	M16	C6524	K25	C7732	N12	L2113	L26	L7733	N12	R	R2134	M22	R7714	B3	V3303	M18	X6500	J29	J2129	K27	J5200	L17	J9221	M14	
C1355	M27	C1450	L25	C2163	G3	C4110	M23	C4824	N16	C5200	M17	C6532	J25	C7733	N12	L2114	G3	L7734	N12	R1351	M27	R2136	M23	R7715	B3	X	X6501	J29	J2130	J27	J5201	L17	J9222	N15	
C1356	M27	C1451	L25	C2175	M22	C4113	L23	C4851	N17	C5201	M17	C6533	J25	C8501	L4	L2130	G3	L7736	K9	R1352	N27	R2139	M22	R7734	M2	X1005	N3	X7700	M29	J2131	L26	J5202	L17	J9224	M16
C1357	L27	C1452	L25	C2185	M22	C4114	L23	C4854	M17	C6501	J26	C6537	J26	C8502	L4	L3300	M17	L7737	K9	R1353	M28	R2141	L26	R7738	B3	X1008	L28	X7719	M3	J2132	L27	J5203	L17	J9225	N14
C1362	M27	C1453	N16	C2186	M22	C4115	M23	C4855	N16	C6504	J25	C6538	J25	C8503	L3	L3301	M17	L8501	L5	R1354	N27	R2142	L26	R7742	L3	X1010	M24	X7720	L29	J2133	K28	J5204	K17		
C1364	M27	C1454	J28	C2188	L23	C4116	L22	C4865	M16	C6507	J25	C6539	J25	C8504	L4	L4101	M23	L8502	L4	R1405	N17	R2151	L26	R7743	K2	X1350	M27	X7721	B1	J2134	K28	J6501	J26		
C1366	M27	C1455	J28	C2189	L23	C4117	L22	C4866	L16	C6510	J26	C7594	M4	C8505	L4	L4102	L22	L8503	L4	R1406	N17	R3301	M18	R7744	B3	X2001	I3	X7723	L1	J2135	K27	J6502	I26		
C1367	M27	C1456	J28	C2190	G3	C4118	L22	C4871	M17	C6513	J25	C7710	B3	C8506	L5	L4103	L22	L8505	L4	R1407	M25	R3302	M18	R9292	N15	X2103	J27	X7724	G3	J2136	K27	J6503	I26		
C1368	M26	C1457	J28	C2202	K26	C4119	L23	C4872	M15	C6514	J26	C7716	B3	F	L4208	M14	L8506	L3	R1408	M26	R4101	L24	R9293	N19	X2106	L27	X7727	M29	J2137	I27	J6510	I26			
C1369	M26	C1458	N17	C2700	N11	C4122	M22	C4874	L16	C6515	K26	C7717	B3	F2101	G3	L5200	M17	N	R1411	L28	R4300	I26	V	X2107	F3	Z	X2108	I27	J2138	I27	J6511	J26			
C1432	N17	C1464	J28	C2701	N7	C4123	L22	C4882	M17	C6516	K26	C7718	B3	L	L6500	K26	N1350	L25	R1412	L28	R4958	N24	V1401	N26	X2108	F3	Z4204	H2	J3300	H1	J9208	N14			
C1433	J28	C1468	N16	C3300	K19	C4281	M14	C4883	M17	C6517	K26	C7720	B3	L1351	L27	L6501	K25	N2700	N11	R1413	N16	R4959	N24	V1402	M26	X2700	L11	Z4206	M14	J3301	H2	J9210	N15		
C1434	J28	C1469	K24	C3301	M17	C4282	M14	C4886	L16	C6518	K26	C7725	L3	L1353	L27	L7704	B3	N2701	N7	R1414	N16	R6503	K26	V1403	L29	X2702	L7	Z5200	L17	J3302	G2	J9211	N14		
C1435	N17	C2003	H2	C3302	M17	C4286	M24	C4890	M16	C6519	K26	C7727	B3	L1404	N26	L7705	B3	N4100	L23	R2003	J2	R6506	K29	V1404	L28	X3302	M18	Z7701	M28	J3303	G1	J9214	N20		
C1444	N16	C2005	J2	C3303	K19	C4289	N11	C4891	M16	C6520	K26	C7728	L2	L1405	N27	L7723	B3	N6500	J26	R2004	J2	R6507	K29	V2111	K26	X3303	M18	TST points	J4100	L24	J9215	N19			
C1446	M25	C2006	H2	C4104	L23	C4801	M17	C4892	L17	C6521	K26	C7729	K9	L1406	N27	L7724	L2	N7704	B3	R2104	L23	R6508	K25	V2112	G3	X3304	K18	J2000	H2	J4101	L23	J9218	N15		
C1447	L25	C2101	L22	C4106	L23	C4802	M17	C4894	M16	C6522	K26	C7730	K9	L1410	M25	L7725	L2	N7707	L2	R2105	L23	R6512	I25	V3301	K19	X3305	L18	J2001	I2	J4102	L23	J9219	M15		



C	C1448	L25	C2102	L22	C4107	M23	C4821	N15	C4898	L27	C6523	K25	C7731	K4	L1411	L25	L7733	K3	N8501	L4	R2108	L23	R7563	M4	V3302	M18	X5200	M20	J2002	I2	J4205	L17	J9220	M15	
C1354	L27	C1449	M25	C2103	L22	C4108	M23	C4822	L16	C4899	M16	C6524	K25	C7732	N12	L2113	L26	L7733	N12	R	R2134	M22	R7714	B3	V3303	M18	X6500	J29	J2129	K27	J5200	L17	J9221	M14	
C1355	M27	C1450	L25	C2163	G3	C4110	M23	C4824	N16	C5200	M17	C6532	J25	C7733	N12	L2114	G3	L7734	N12	R1351	M27	R2136	M23	R7715	B3	X	X6501	J29	J2130	J27	J5201	L17	J9222	N15	
C1356	M27	C1451	L25	C2175	M22	C4113	L23	C4851	N17	C5201	M17	C6533	J25	C8501	L4	L2130	G3	L7736	K9	R1352	N27	R2139	M22	R7734	M2	X1005	N3	X7700	M29	J2131	L26	J5202	L17	J9224	M16
C1357	L27	C1452	L25	C2185	M22	C4114	L23	C4854	M17	C6501	J26	C6537	J26	C8502	L4	L3300	M17	L7737	K9	R1353	M28	R2141	L26	R7738	B3	X1008	L28	X7719	M3	J2132	L27	J5203	L17	J9225	N14
C1362	M27	C1453	N16	C2186	M22	C4115	M23	C4855	N16	C6504	J25	C6538	J25	C8503	L3	L3301	M17	L8501	L5	R1354	N27	R2142	L26	R7742	L3	X1010	M24	X7720	L29	J2133	K28	J5204	K17		
C1364	M27	C1454	J28	C2188	L23	C4116	L22	C4865	M16	C6507	J25	C6539	J25	C8504	L4	L4101	M23	L8502	L4	R1405	N17	R2151	L26	R7743	K2	X1350	M27	X7721	B1	J2134	K28	J6501	J26		
C1366	M27	C1455	J28	C2189	L23	C4117	L22	C4866	L16	C6510	J26	C7594	M4	C8505	L4	L4102	L22	L8503	L4	R1406	N17	R3301	M18	R7744	B3	X2001	I3	X7723	L1	J2135	K27	J6502	I26		
C1367	M27	C1456	J28	C2190	G3	C4118	L22	C4871	M17	C6513	J25	C7710	B3	C8506	L5	L4103	L22	L8505	L4	R1407	M25	R3302	M18	R9292	N15	X2103	J27	X7724	G3	J2136	K27	J6503	I26		
C1368	M26	C1457	J28	C2202	K26	C4119	L23	C4872	M15	C6514	J26	C7716	B3	F	L4208	M14	L8506	L3	R1408	M26	R4101	L24	R9293	N19	X2106	L27	X7727	M29	J2137	I27	J6510	I26			
C1369	M26	C1458	N17	C2700	N11	C4122	M22	C4874	L16	C6515	K26	C7717	B3	F2101	G3	L5200	M17	N	R1411	L28	R4300	I26	V	X2107	F3	Z	X2107	F3	J2138	I27	J6511	J26			
C1432	N17	C1464	J28	C2701	N7	C4123	L22	C4882	M17	C6516	K26	C7718	B3	L	L6500	K26	N1350	L25	R1412	L28	R4958	N24	V1401	N26	X2108	F3	Z4204	H2	J3300	H1	J9208	N14			
C1433	J28	C1468	N16	C3300	K19	C4281	M14	C4883	M17	C6517	K26	C7720	B3	L1351	L27	L6501	K25	N2700	N11	R1413	N16	R4959	N24	V1402	M26	X2700	L11	Z4206	M14	J3301	H2	J9210	N15		
C1434	J28	C1469	K24	C3301	M17	C4282	M14	C4886	L16	C6518	K26	C7725	L3	L1353	L27	L7704	B3	N2701	N7	R1414	N16	R6503	K26	V1403	L29	X2702	L7	Z5200	L17	J3302	G2	J9211	N14		
C1435	N17	C2003	H2	C3302	M17	C4286	M24	C4890	M16	C6519	K26	C7727	B3	L1404	N26	L7705	B3	N4100	L23	R2003	J2	R6506	K29	V1404	L28	X3302	M18	Z7701	M28	J3303	G1	J9214	N20		
C1444	N16	C2005	J2	C3303	K19	C4289	N11	C4891	M16	C6520	K26	C7728	L2	L1405	N27	L7723	B3	N6500	J26	R2004	J2	R6507	K29	V2111	K26	X3303	M18	TST points	J4100	L24	J9215	N19			
C1446	M25	C2006	H2	C4104	L23	C4801	M17	C4892	L17	C6521	K26	C7729	K9	L1406	N27	L7724	L2	N7704	B3	R2104	L23	R6508	K25	V2112	G3	X3304	K18	J2000	H2	J4101	L23	J9218	N15		
C1447	L25	C2101	L22	C4106	L23	C4802	M17	C4894	M16	C6522	K26	C7730	K9	L1410	M25	L7725	L2	N7707	L2	R2105	L23	R6512	I25	V3301	K19	X3305	L18	J2001	I2	J4102	L23	J9219	M15		