

Service schematics

Nokia Lumia 1020

RM-877

18.07.2013

v1.0



IMPORTANT

This document is intended for use by authorized Nokia service centers only. Please use the document together with other documents such as the Service Manual and Service Bulletins.

Version information

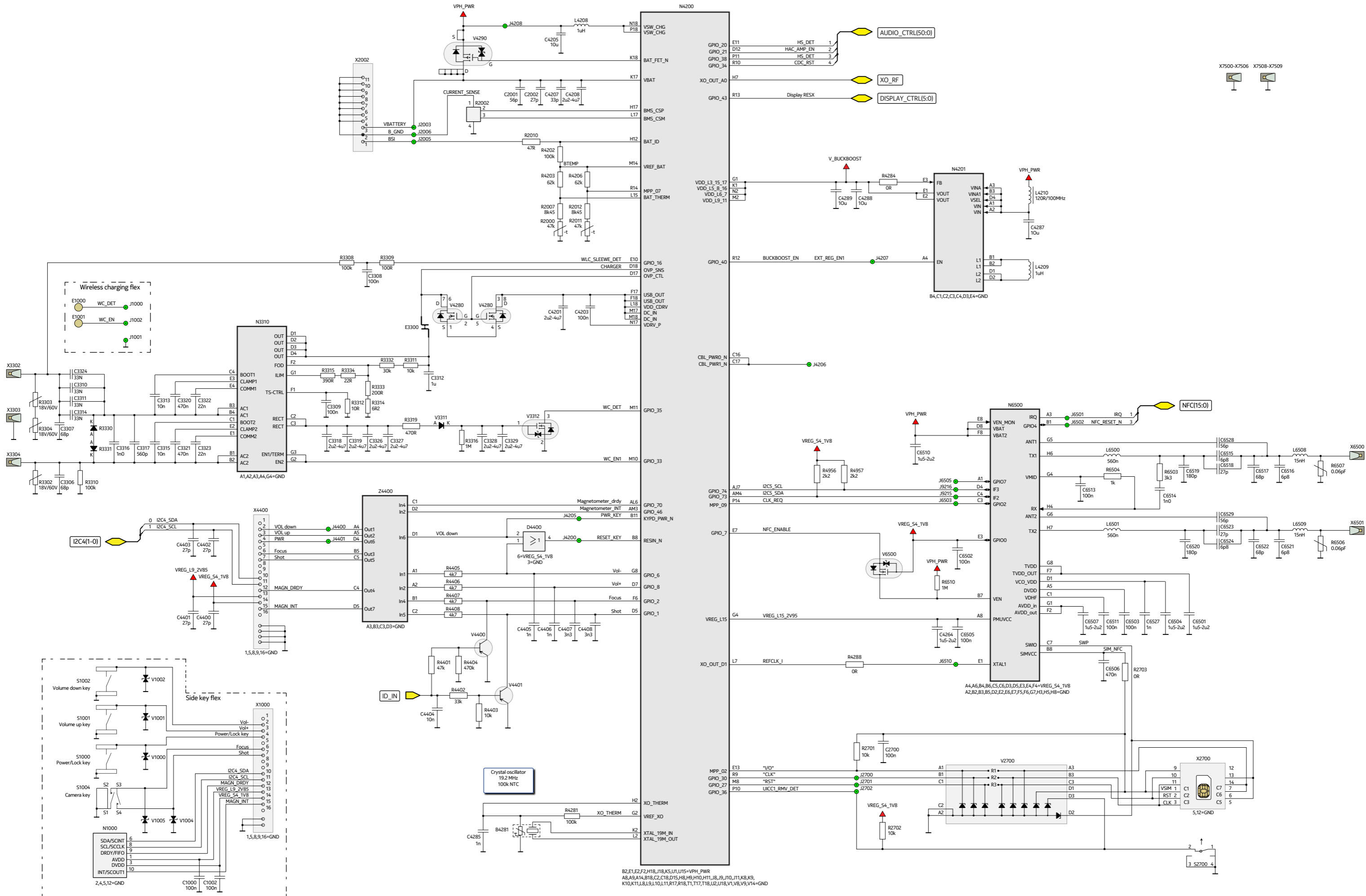
While every effort has been made to ensure that the document is accurate, some errors may exist. Please always check for the latest published version for this document.

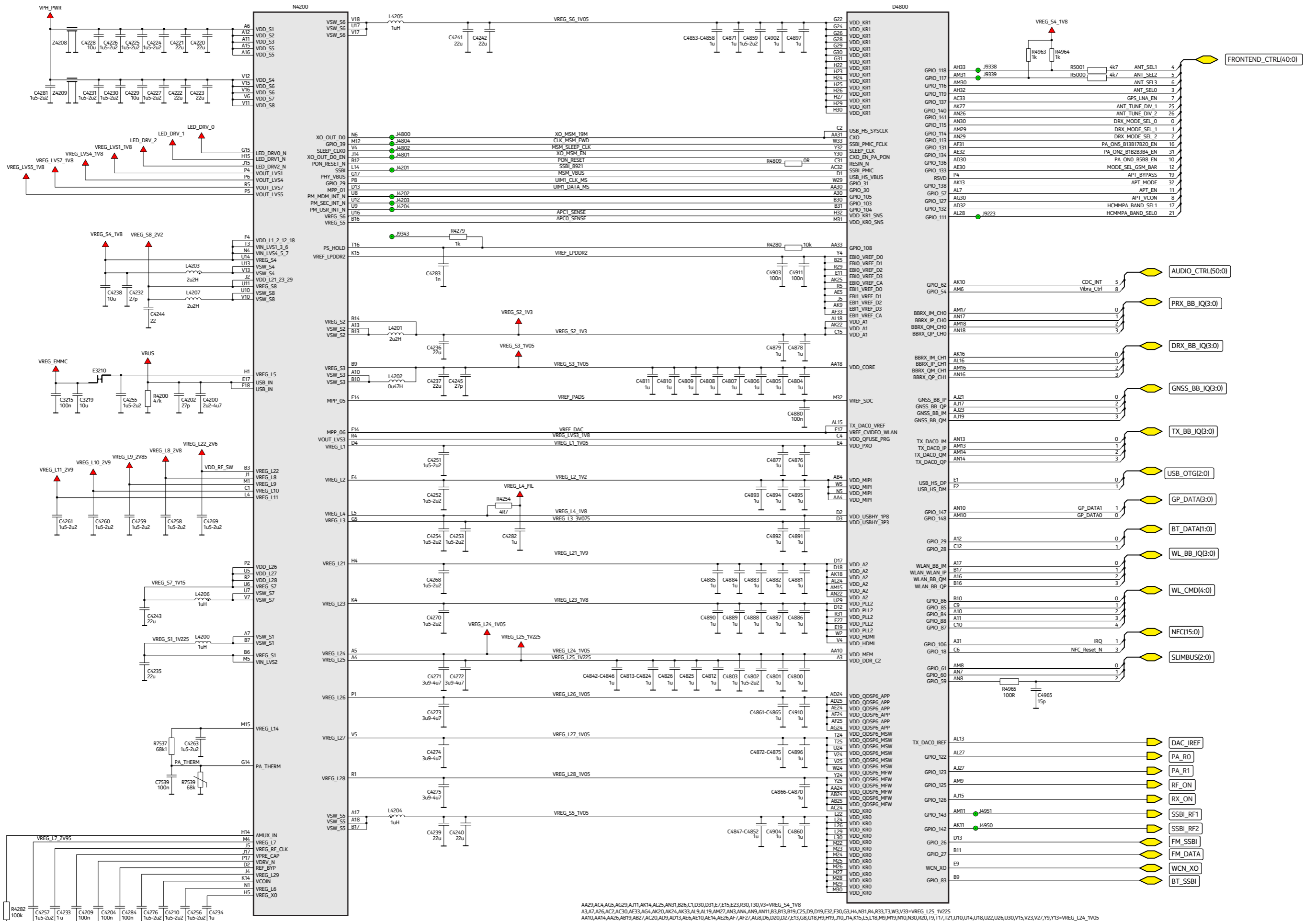
If you find any errors in the document please send email to: service.manuals@nokia.com

1.0 First approved version.

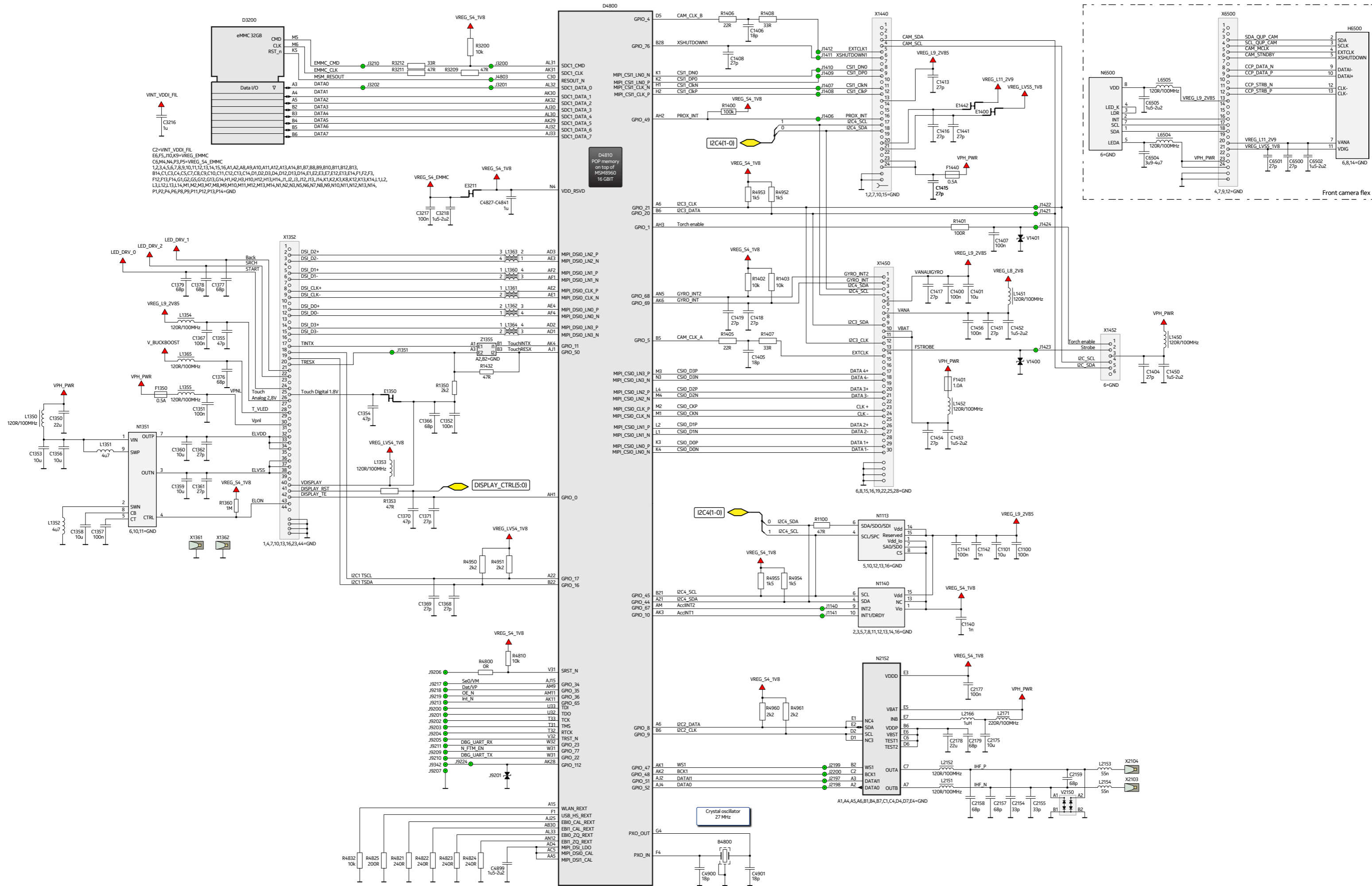
Contents

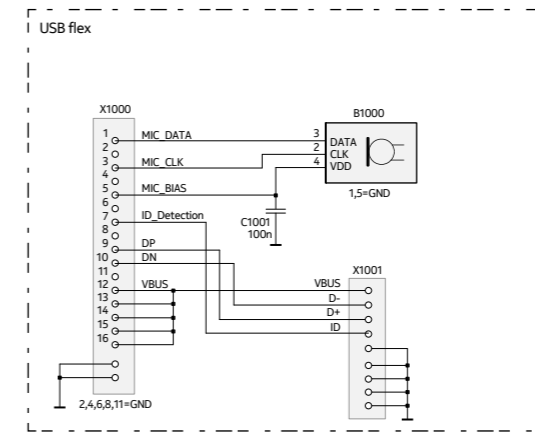
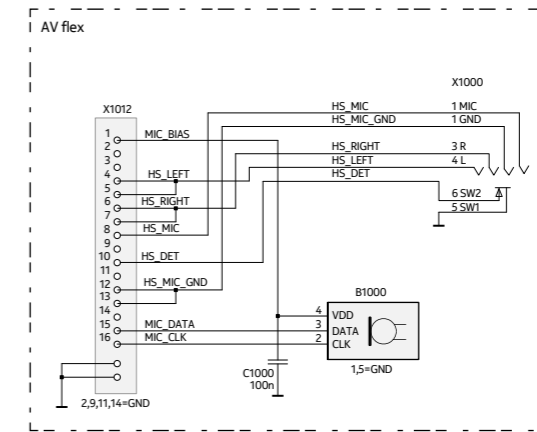
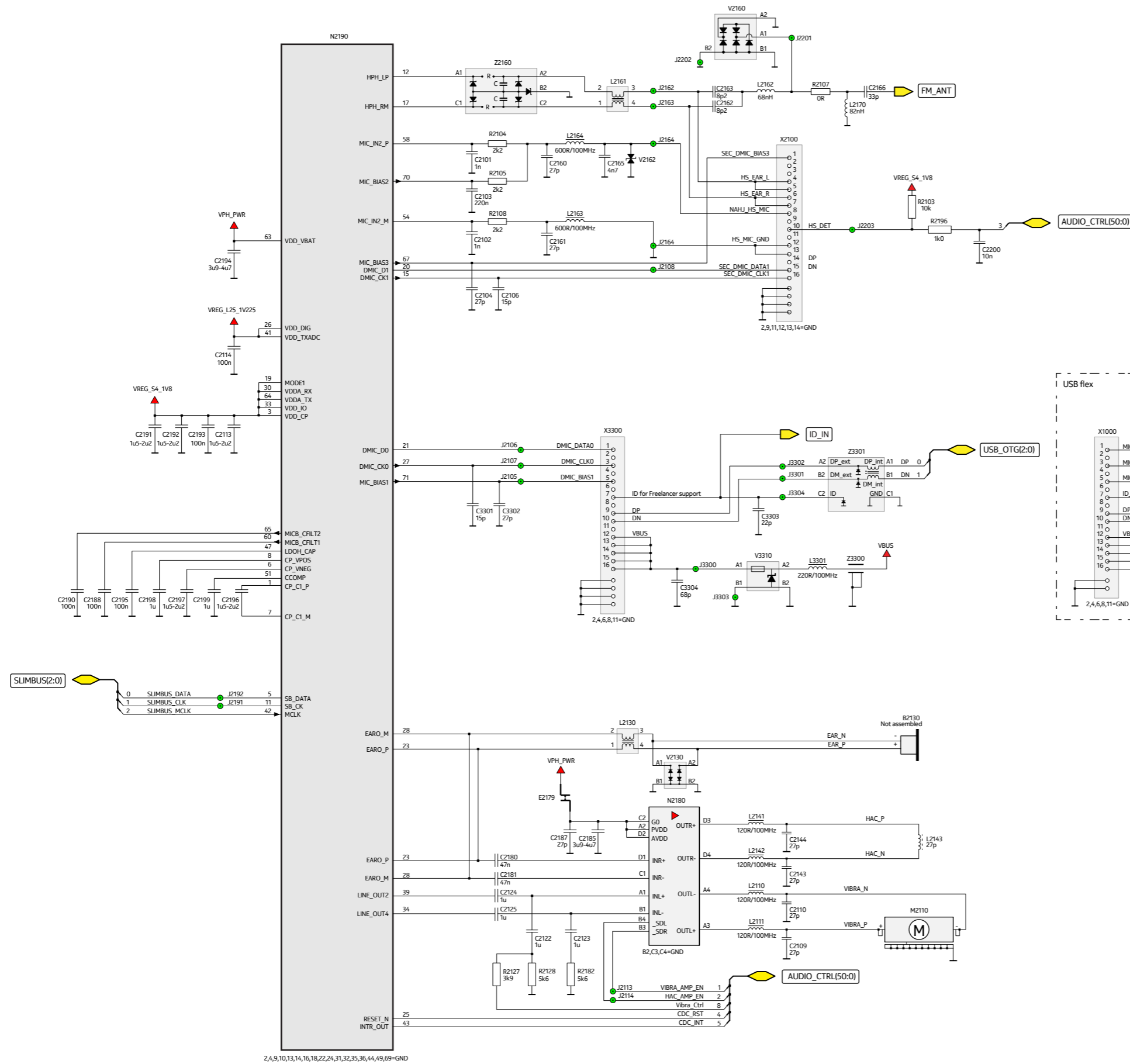
- 1 Front page
- 2 PM8921, Power, Wireless charging flex, Side key flex, NFC, SIM
- 3 PM8921, MSM8960
- 4 MSM8960, Memory, Display, Touch, Camera, Front camera flex, Flash, Sensors
- 5 Audio, AV flex, USB flex
- 6 RF Transceiver, GPS, BT/WLAN/FM
- 7 RF Transceiver
- 8 Component finder top
- 9 Component finder bottom
- 10 Component finder flex boards

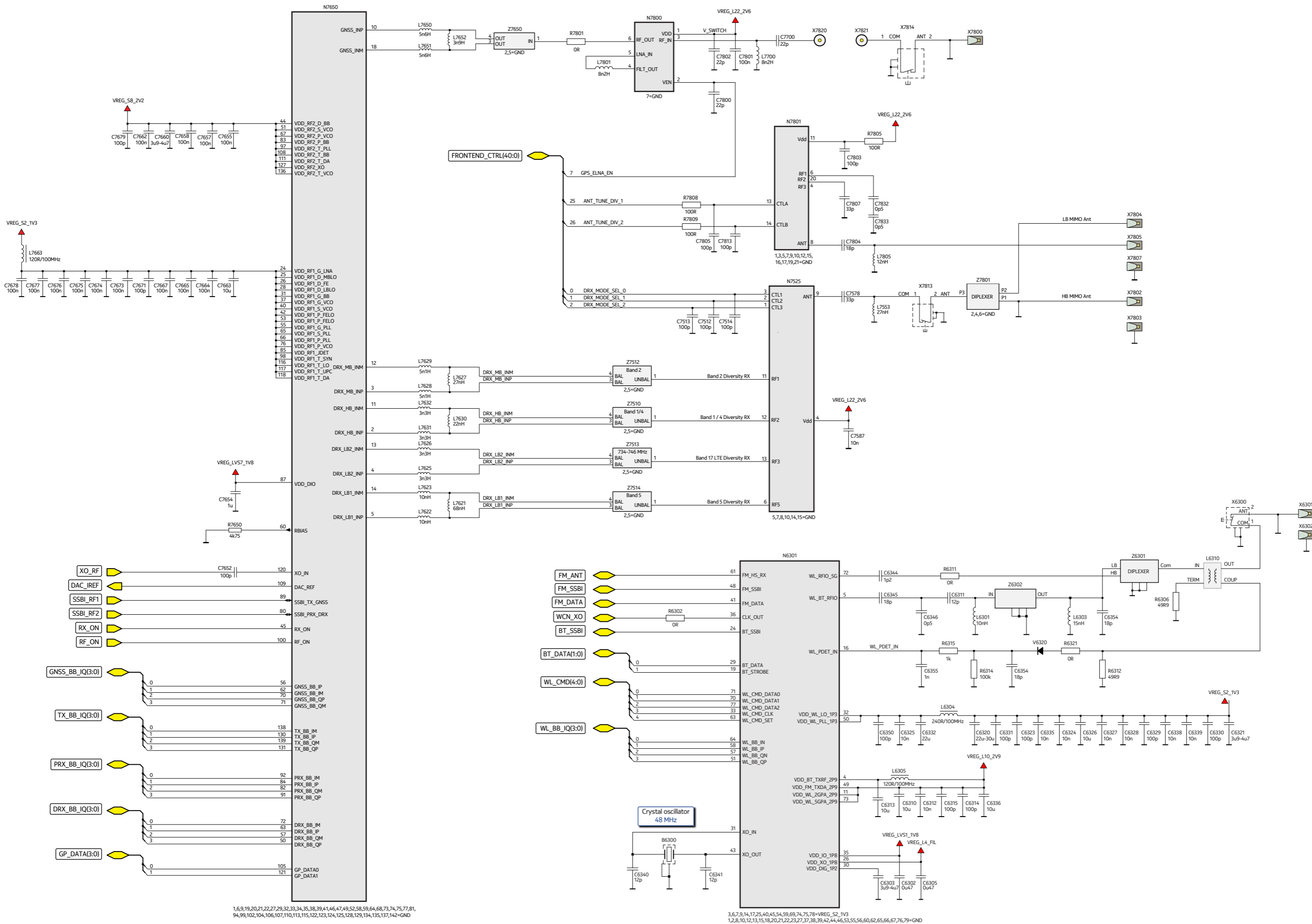


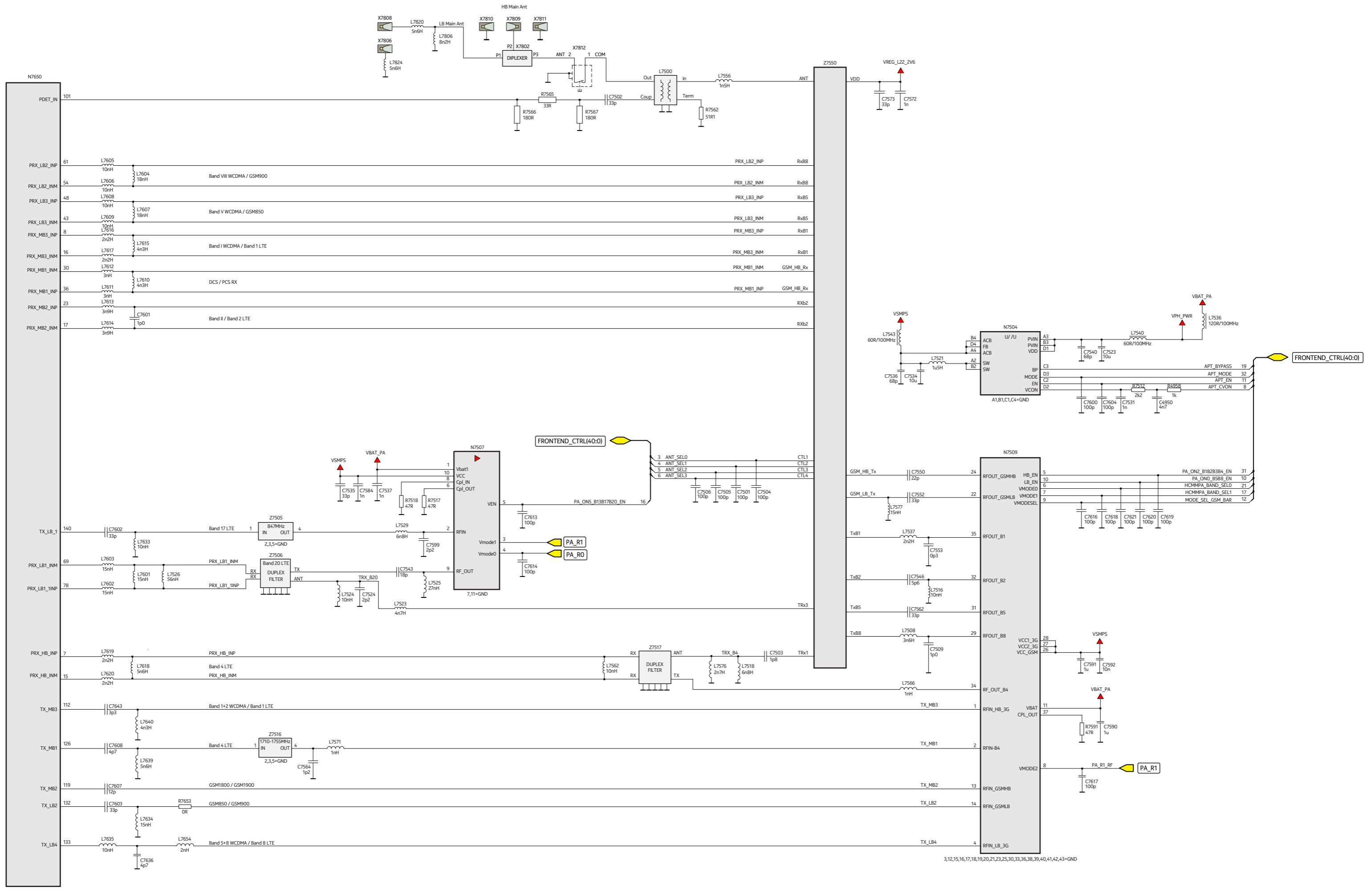


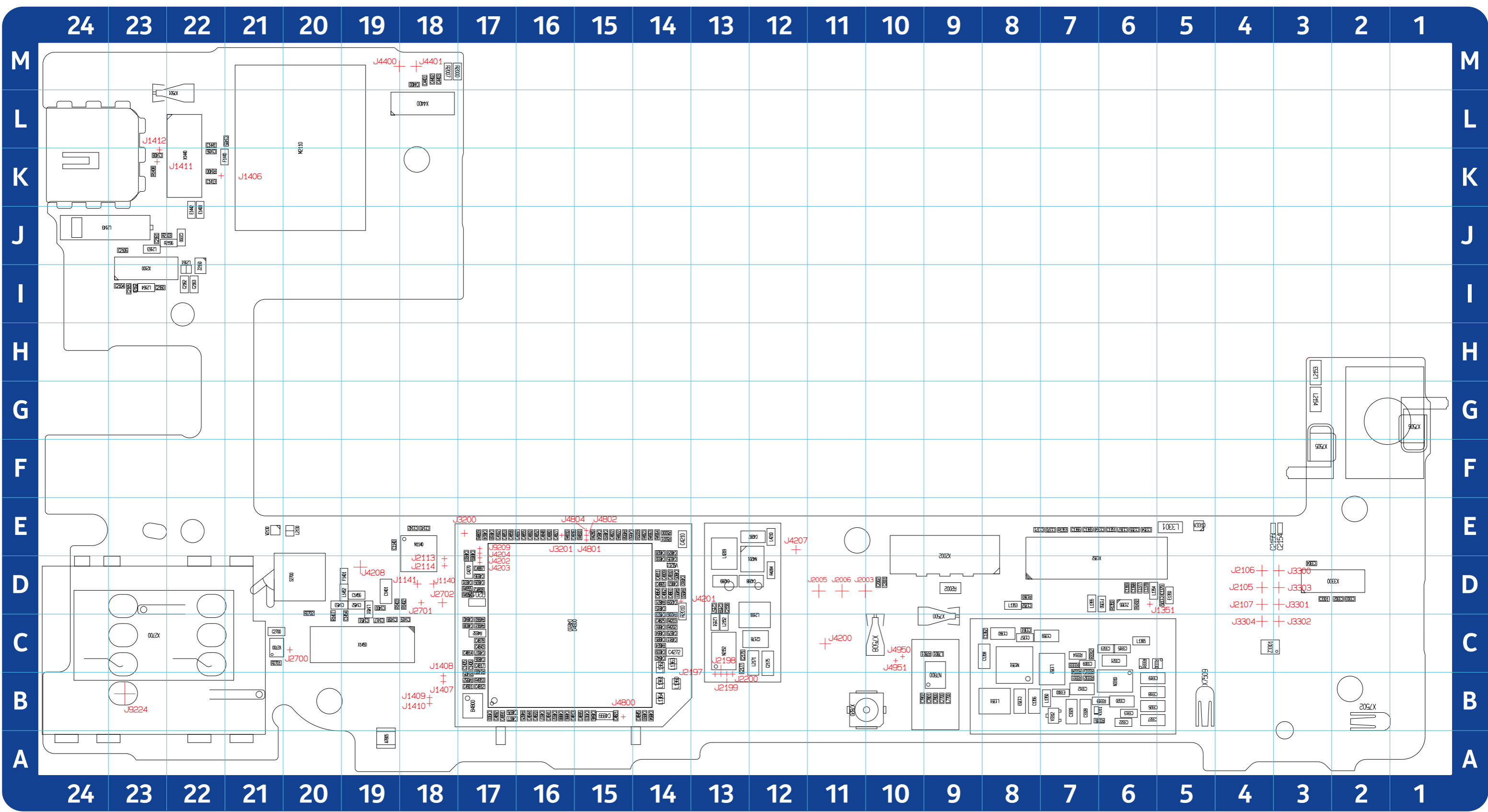
A429,AC4,AG5,AG29,AJ11,AK14,AL25,AN31,B26,C1,D30,D31,E7,E15,E23,R30,T30,V3=VREG_S4_1V8
 A3,A7,A26,AC2,AC30,AE33,AG4,AK20,AK33,AL9,AM27,AN3,AN4,AN9,AN11,B3,B13,B19,C25,D9,D19,E32,F30,G3,H4,NI1,NI4,R33,T3,W3,V33=VREG_L25_1V225
 AA10,AA14,AA26,AB19,AB27,AC20,AD19,AD13,AE6,AE10,AE14,AE26,AF7,AF27,AG8,AG,DD20,D27,E13,G8,G18,H9,H19,IA4,K15,LS1,LS9,M9,MA10,N30,R20,T9,T17,
 AA22,AB7,AB11,AB15,AB23,AC8,AC12,AC16,AC29,AD17,AD21,AF11,AF15,AF23,AG12,AG16,AH9,AH10,AI9,D10,D15,E23,F6,F7,F11,G5,G12,G16,G20,I3,I7,H21,JK7,K11,L8,L12,L16,L20,M13,M17,M21,NI4,NI8,N22,P7,P11,P15,P19,P23,P27,P11,P15,P19,P23,P27,R12,R18,R24,R32,R32,T13,U6,W12,W16,W20,W7,V11,V19,W8,Y17,Y21=VREG_S3_1V05
 A1,A18,A19,A22,A25,A32,A33,AA,AA,AA12,AA16,AA20,AA28,AA6,AA8,AB13,AB17,AB21,AB9,AC1,AC10,AC14,AC18,AC22,AC26,AC28,AC6,AD11,AD15,AD19,AD23,AD27,AD33,AD33,AD7,AE12,AE16,AE20,AE28,AE8,AF13,AF17,AF19,AF21,AF9,AG1,AG10,AG11,AG14,AG18,AG2,AG20,AG22,AG26,AG28,AG3,AG33,AG6,AG9,AH11,AH13,AH15,AH17,AH19,AH21,
 AH23,AH25,AH27,AH4,AH7,AK17,AK19,AK21,AK23,AK8,AL21,AL22,AM1,AM12,AM19,AM2,AM20,AM21,AM22,AM25,AM29,AN2,AN3,AN1,AN15,AN19,AN2,AN20,AN21,AN22,AN3,B1,B14,B15,B18,B2,B24,B32,B33,B4,C16,C19,C3,D11,D16,D28,D29,D4,D7,E30,F13,F15,F17,F19,F21,F23,F25,F27,F32,F39,G1,G10,G14,G2,G6,H11,H15,H17,I12,I16,I18,I20,
 J22,J24,J26,J28,J29,J30,J31,J32,J33,J4,J8,K13,K17,K19,K21,K22,K23,K24,K25,K26,K27,K28,K29,K30,K31,K32,K33,K9,L11,L14,L16,L11,M15,M7,N1,N12,N16,N20,N24,N26,N8,N13,P17,P21,P25,P30,P33,P39,R10,R14,R18,R22,R26,R28,R6,T11,T15,T19,T23,T27,T7,U12,U16,U20,U28,U5,U8,W1,W10,W13,W14,W17,W18,W21,W22,W26,W28,W4,W6,W9,Y11,Y15,
 Y19,Y23,Y27,Y7=GN0





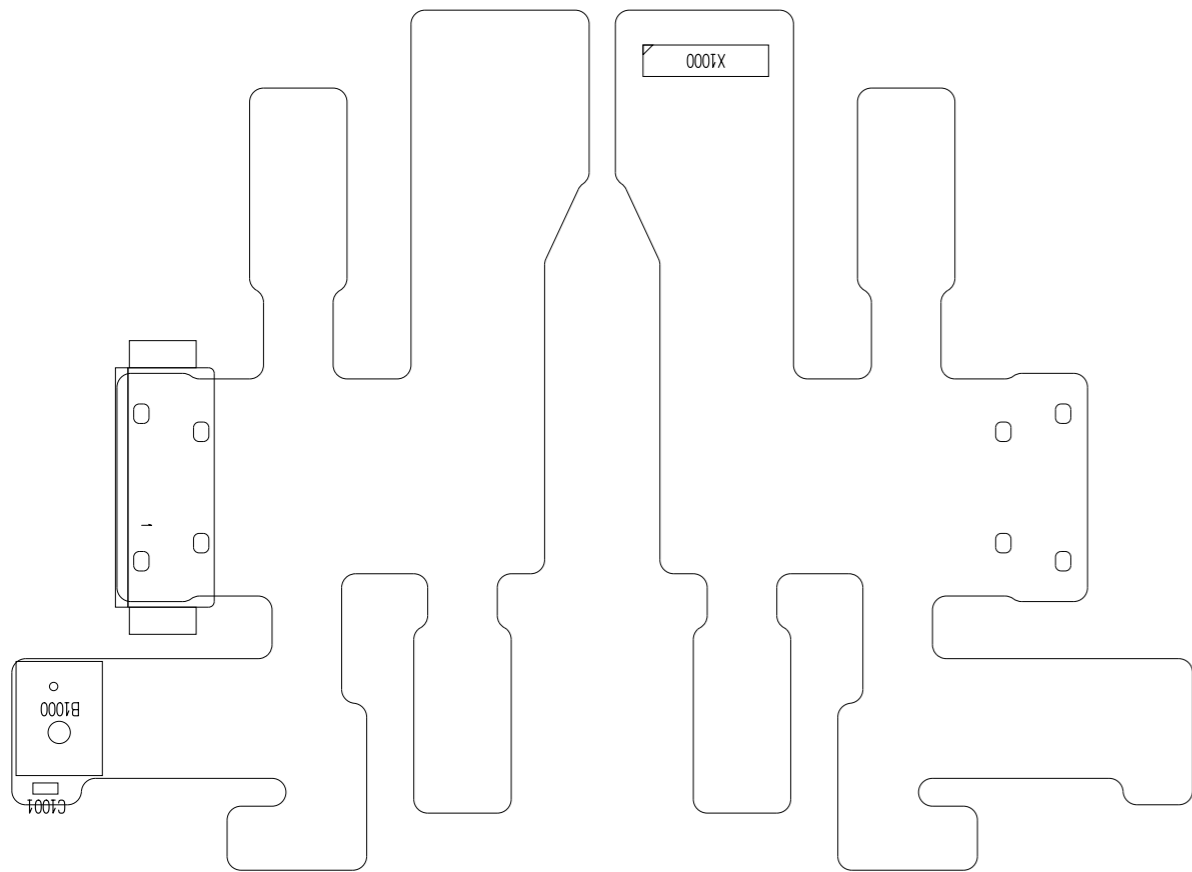




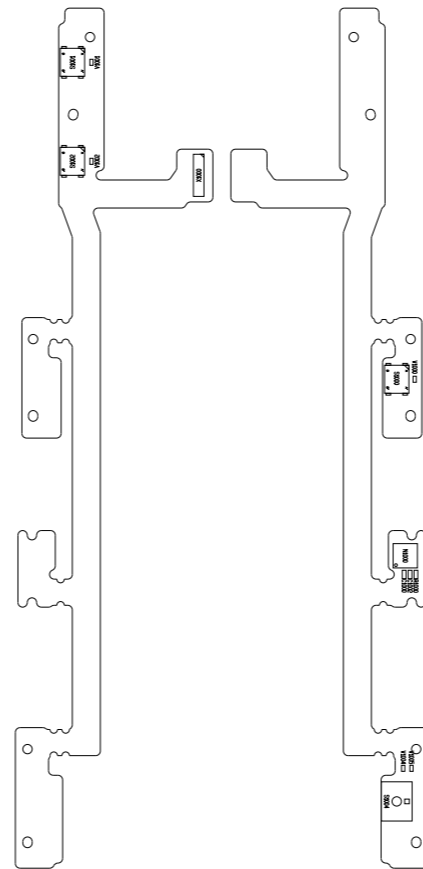


| | | | | | | | | | | | | | | | | | | | | | | | | | | | | | | | | | | | | | | | | | | | | | | | |
|-------|-------|-------|-------|-------|-------|-------|-------|-------|-------|-------|-------|-------|-------|-------|-------|-------|-------|-------|-------|-------|-------|-------|-------|-------|-------|-------|-------|-------|-------|-------|-------|-------|-------|-------|-------|-------|-------|-------|-------|-------|-------|-------|-------|-------|-------|-------|-----|
| B | C1361 | C8 | C1405 | C17 | C2002 | D10 | C2179 | C13 | C3323 | C6 | C4804 | E15 | C4820 | B16 | C4838 | C17 | C4862 | D14 | C4890 | E17 | C7800 | B9 | L1350 | B7 | L2151 | C13 | N | R1407 | C20 | R3315 | C7 | R4821 | D14 | R4964 | E14 | X1440 | K22 | Z1355 | D6 | J2006 | D11 | J3301 | D3 | J4804 | E15 | | |
| B4800 | B17 | C1362 | C8 | C1406 | C17 | C2104 | I23 | C2200 | J22 | C3326 | B6 | C4805 | D14 | C4821 | B15 | C4839 | C14 | C4863 | D14 | C4891 | B17 | C7801 | B9 | L1351 | B8 | L2152 | C13 | N1140 | E18 | R1408 | K23 | R3316 | B6 | R4822 | E15 | R5000 | E14 | X1450 | C19 | Z2160 | I22 | J2105 | D4 | J3302 | C3 | J4950 | C10 |
| B | C1364 | E6 | C1408 | K23 | C2106 | J23 | C2700 | C21 | C3327 | B6 | C4806 | C17 | C4822 | C15 | C4840 | B16 | C4864 | D14 | C4892 | B17 | C7802 | B10 | L1352 | C7 | L2153 | H3 | N1351 | C8 | R1432 | D6 | R3319 | B6 | R4823 | E14 | R5001 | E14 | X2002 | E9 | Z3301 | C4 | J2106 | D4 | J3303 | D3 | J4951 | C10 | |
| C1140 | E19 | C1365 | E7 | C1413 | K22 | C2154 | E3 | C3301 | D3 | C3328 | B7 | C4807 | C17 | C4823 | C14 | C4841 | B16 | C4865 | D14 | C4893 | B14 | D4800 | C16 | L1354 | D6 | L2161 | I22 | N3310 | B6 | R2002 | D9 | R3331 | C6 | R4825 | B16 | S | X2700 | C23 | J1140 | D18 | J2113 | D18 | J4200 | C11 | J9224 | B23 | |
| C1141 | E18 | C1366 | E7 | C1415 | L21 | C2155 | E4 | C3302 | D2 | C3329 | B7 | C4808 | D17 | C4824 | E17 | C4842 | C14 | C4876 | B17 | C4894 | B14 | D4810 | C16 | L1355 | D7 | L2162 | I23 | N4201 | D12 | R2007 | M18 | R3332 | B7 | R4832 | C17 | S2700 | D20 | X3300 | D2 | J1141 | D18 | J2114 | D18 | J4201 | D14 | | |
| C1142 | E18 | C1367 | E6 | C1416 | K22 | C2157 | D13 | C3303 | D2 | C4209 | D14 | C4809 | D14 | C4825 | C14 | C4843 | C17 | C4877 | B17 | C4895 | B15 | D4810 | C16 | L1355 | D7 | L2163 | J23 | N4201 | D12 | R2007 | M18 | R3333 | B7 | R4832 | C17 | S2700 | D20 | X3300 | D2 | J1141 | D18 | J2114 | D18 | J4201 | D14 | | |
| C1351 | E6 | C1368 | D6 | C1417 | C19 | C2158 | D13 | C3304 | D3 | C4210 | E14 | C4810 | D14 | C4826 | D17 | C4844 | B16 | C4878 | C17 | C4897 | E16 | E | L1360 | B14 | L2164 | I23 | N7800 | B9 | R2010 | D14 | R3333 | C7 | R4950 | D14 | V | X4400 | L18 | J1351 | D6 | J2197 | B13 | J4202 | D17 | | | | |
| C1352 | D8 | C1369 | D6 | C1418 | C19 | C2159 | D13 | C3309 | C7 | C4270 | D17 | C4811 | D14 | C4827 | E16 | C4845 | B14 | C4879 | C14 | C4899 | B15 | E1350 | D5 | L1361 | B14 | L2166 | C12 | R | R2012 | D17 | R3334 | C7 | R4951 | D14 | V2130 | E21 | X7500 | C9 | J1406 | K22 | J2198 | B13 | J4203 | D17 | | | |
| C1353 | B8 | C1370 | E7 | C1419 | C18 | C2160 | I23 | C3312 | B7 | C4272 | C14 | C4812 | B17 | C4828 | E14 | C4846 | B15 | C4880 | E16 | C4900 | B17 | E1400 | J22 | L1362 | C14 | L2171 | C12 | R1350 | D6 | R2103 | J23 | R4202 | C14 | R4952 | B17 | V2162 | I23 | X7501 | L22 | J1407 | B18 | J2199 | B13 | J4204 | E17 | | |
| C1354 | E6 | C1371 | E8 | C1441 | L22 | C2161 | J23 | C3313 | B6 | C4287 | E12 | C4813 | B16 | C4829 | E14 | C4848 | E16 | C4881 | C14 | C4901 | B17 | E1442 | J22 | L1363 | C14 | L3301 | E5 | R1353 | E7 | R2196 | J22 | R4203 | C14 | R4953 | B17 | V2700 | C21 | X7502 | B2 | J1408 | B18 | J2200 | B13 | J4207 | E12 | | |
| C1355 | E6 | C1376 | D5 | C1451 | C19 | C2162 | I22 | C3315 | C6 | C4288 | D12 | C4814 | C17 | C4830 | D14 | C4852 | E16 | C4884 | C14 | C4902 | E17 | E3300 | B7 | L1364 | B14 | L4209 | E13 | R1360 | D8 | R2701 | C21 | R4206 | C14 | R4954 | D17 | V3310 | E5 | X7505 | F3 | J1409 | B18 | J2700 | C20 | J4208 | D19 | | |
| C1356 | B8 | C1377 | D6 | C1452 | D19 | C2163 | I22 | C3318 | B6 | C4289 | D13 | C4815 | D14 | C4831 | D17 | C4853 | E17 | C4885 | C14 | C4903 | B15 | F | L1365 | C6 | L4210 | E12 | R1400 | K22 | R2702 | D20 | R4280 | E15 | R4955 | D17 | V3311 | B7 | X7506 | G1 | J1410 | B18 | J2701 | D18 | J4400 | M19 | | | |
| C1357 | C8 | C1378 | D6 | C1453 | D20 | C2165 | I23 | C3319 | B6 | C4400 | M18 | C4816 | E16 | C4832 | B16 | C4855 | E16 | C4886 | B16 | C4910 | D14 | F1350 | D6 | L1451 | D19 | L7700 | B9 | R1402 | D18 | R3209 | E14 | R4284 | D12 | R4958 | E15 | V3312 | B7 | X7508 | C10 | J1411 | K23 | J2702 | D18 | J4401 | M18 | | |
| C1358 | C8 | C1379 | D5 | C1454 | C19 | C2175 | C12 | C3320 | B6 | C4401 | M18 | C4817 | C17 | C4835 | D14 | C4858 | E17 | C4887 | D17 | C4911 | C14 | F1401 | D19 | L1452 | D19 | L7801 | C9 | R1403 | D19 | R3311 | B7 | R4800 | E15 | R4960 | C17 | V9201 | D14 | X7509 | B5 | J1412 | K23 | J3200 | E17 | J4800 | B15 | | |
| C1359 | C7 | C1400 | D19 | C1456 | D19 | C2177 | C13 | C3321 | C6 | C4402 | M18 | C4818 | E17 | C4836 | D17 | C4860 | E16 | C4888 | B16 | C4950 | E15 | F1440 | K22 | L2130 | E20 | M | R1405 | B17 | R3312 | C7 | R4809 | E17 | R4961 | C17 | X | X7820 | B10 | J2003 | D11 | J3201 | E16 | J4801 | E15 | | | | |
| C1360 | C8 | C1401 | D19 | C2001 | D10 | C2178 | C12 | C3322 | B6 | C4403 | M18 | C4819 | E15 | C4837 | B16 | C4861 | D14 | C4889 | E17 | C7700 | B9 | L | L2143 | J24 | M2110 | L20 | R1406 | C17 | R3314 | C7 | R4810 | E16 | R4963 | E14 | X1352 | D7 | Z | J2005 | D11 | J3300 | D3 | J4802 | E15 | | | | |

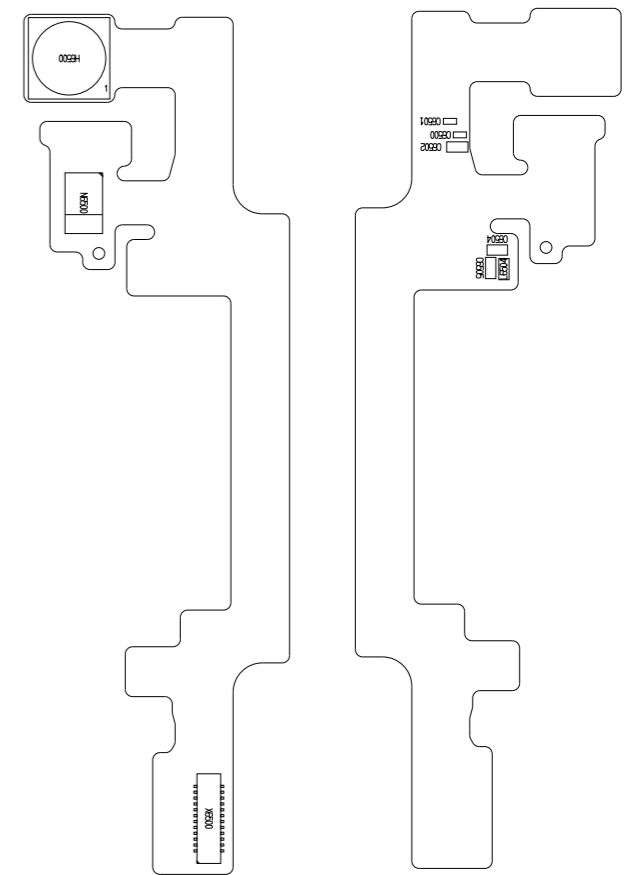
Primary MIC flex board (Board: 3XU_10)



Sidekey flex board (Board: 3XV_12)



2nd Camera flex board (Board: 3YD_12)



AV flex board (Board: 3YC_12)

