

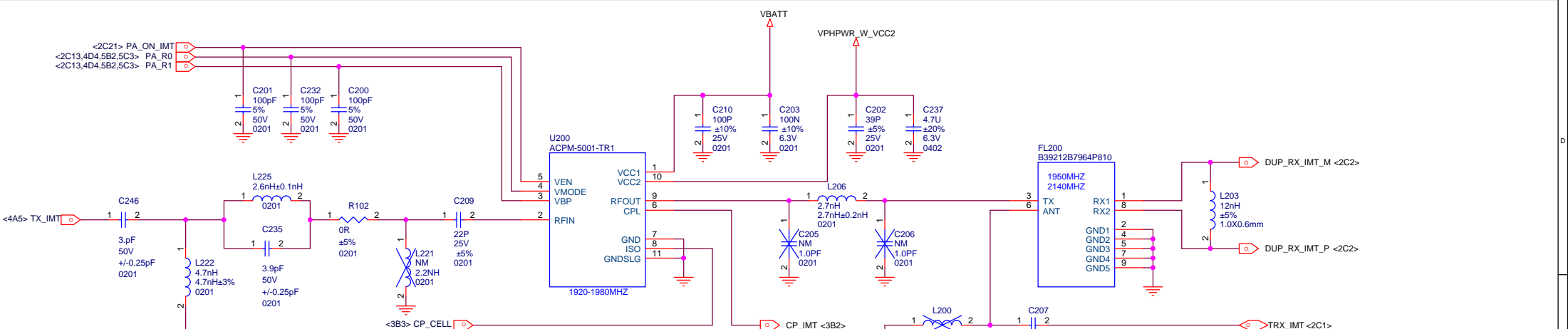
PRIMARY SWITCH(SP10T) LOGIC

MODE	CTLA	CTLB	CTLC	CTLD
TX GSM850/GSM900	H	H	L	L
TX GSM1800/GSM1900	H	L	L	L
RX GSM 900	L	L	H	L
RX_GSM_PCS	L	H	H	L
RX GSM DCS	L	H	L	L
TRX (NOT USED)	H	L	L	H
NO USED	H	H	H	H
TRX PCS	H	L	H	H
TRX IMT	H	H	H	L
TRX W850/RX G850	H	L	H	L

PRIMARY PATH FRONT END SWITCH

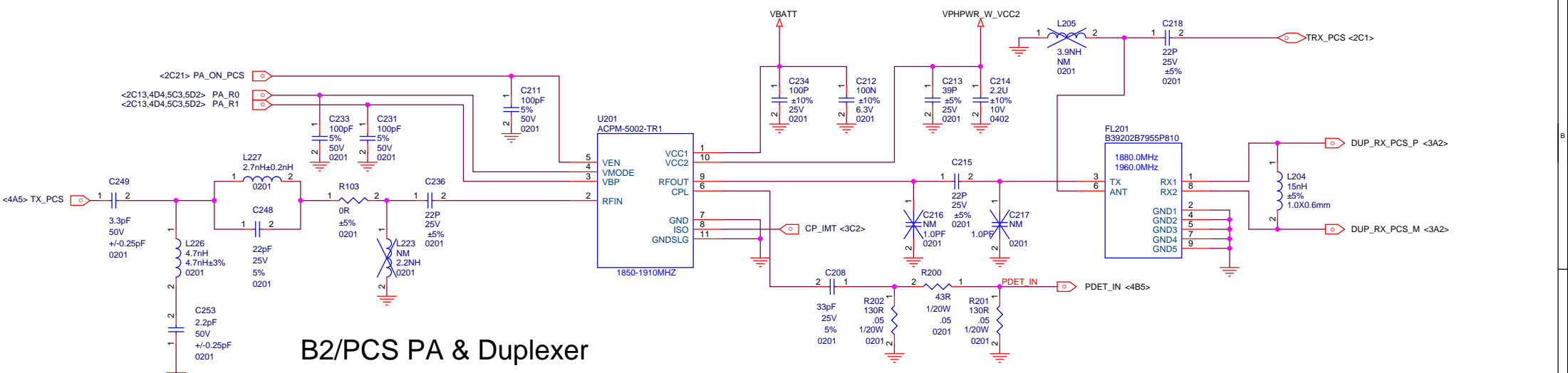
RF SWITCH

XIAO MI			
Title			
MI-ONE			
Size	Document Number		Rev
A3	RF SWITCH		C
Date:	Friday, November 04, 2011	Sheet	1 of 31



B1/IMT PA & Duplexer

POWER MODE	PA_ON	PA_R0	PA_R1
HIGH POWER	H	L	L
MEDIUM POWER	H	H	L
LOW POWER	H	H	H
SHUT DOWN	L	L	L

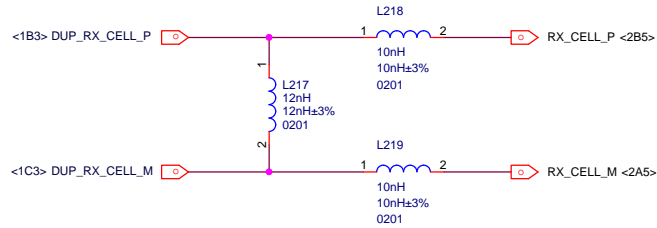
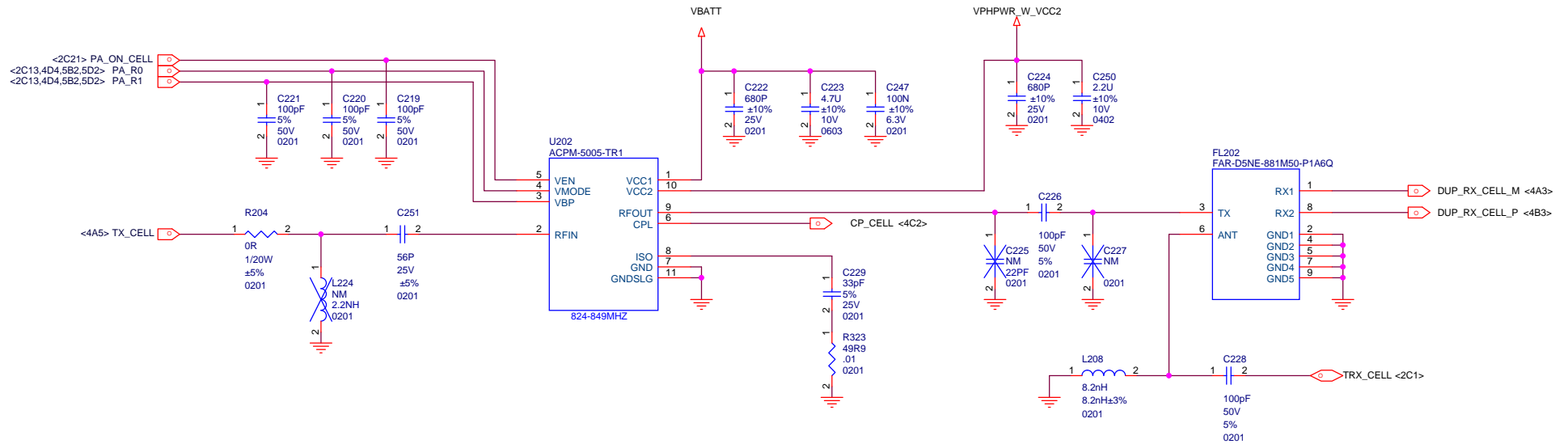
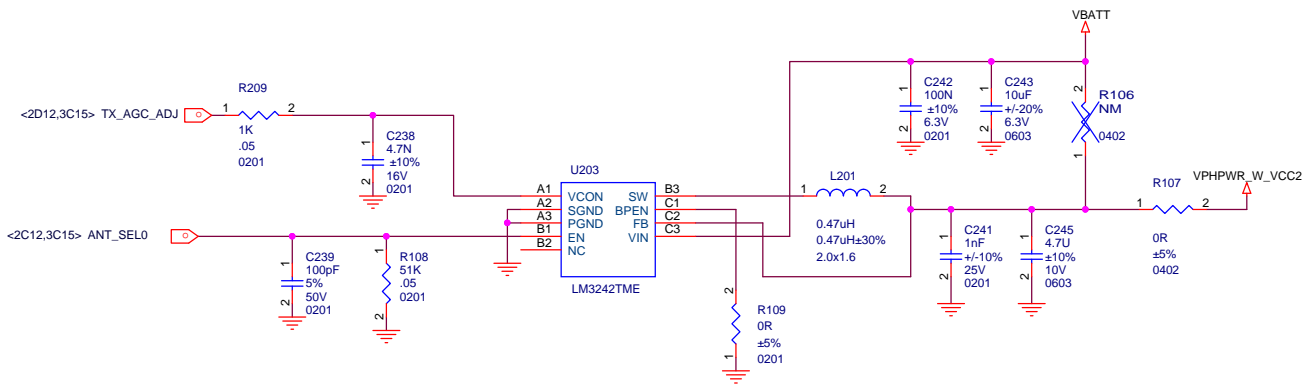


B2/PCS PA & Duplexer

POWER MODE	PA_ON	PA_R0	PA_R1
HIGH POWER	H	L	L
MEDIUM POWER	H	H	L
LOW POWER	H	H	H
SHUT DOWN	L	L	L

B2/PCS PA & Duplexer

XIAO MI		
MI-ONE		
Size A3	Document Number B2/PCS PA & Duplexer	Rev C
Date: Friday, November 04, 2011	Sheet 2 of 31	

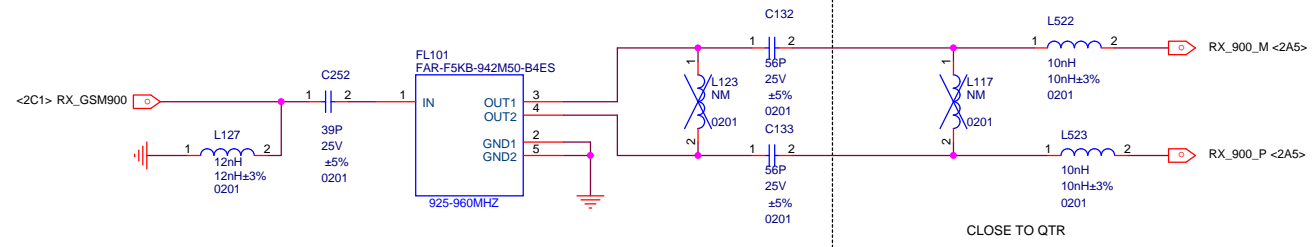
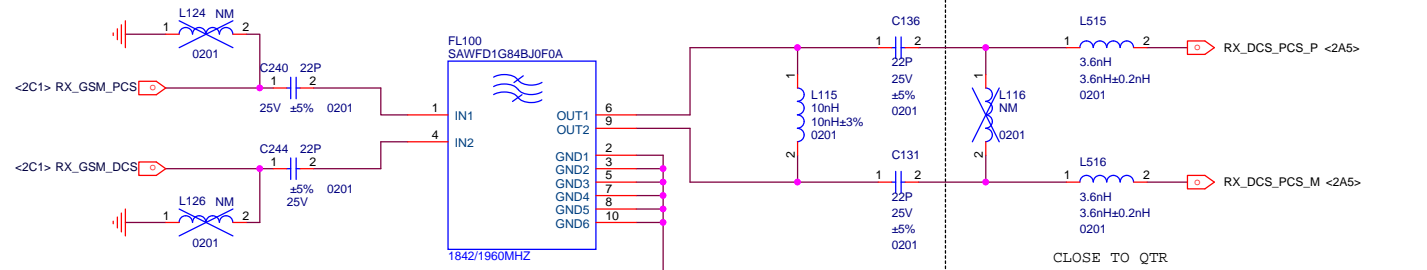
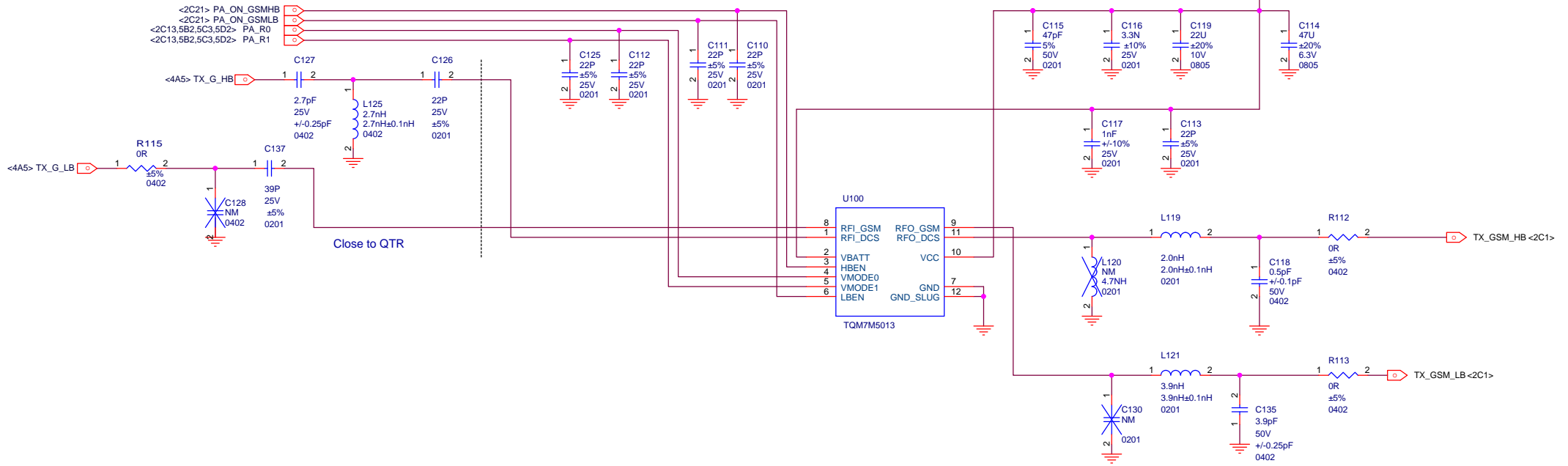


B5/Cell PA and Duplexer

POWER MODE	PA_ON	PA_R0	PA_R1
HIGH POWER	H	L	L
MEDIUM POWER	H	H	L
LOW POWER	H	H	H
SHUT DOWN	L	L	L

B5/Cell PA and Duplexer

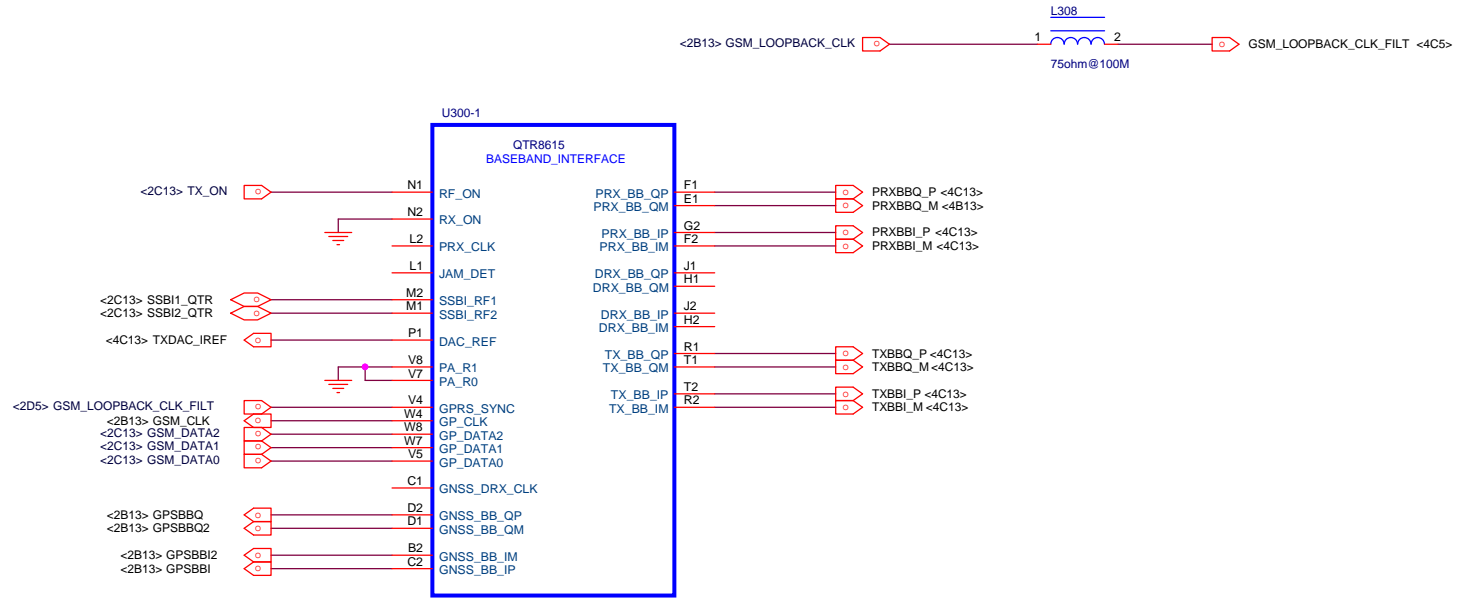
XIAO MI		
Title MI-ONE		
Size A3	Document Number B5/Cell PA and Duplexer	Rev C
Date: Friday, November 04, 2011	Sheet 3	of 31



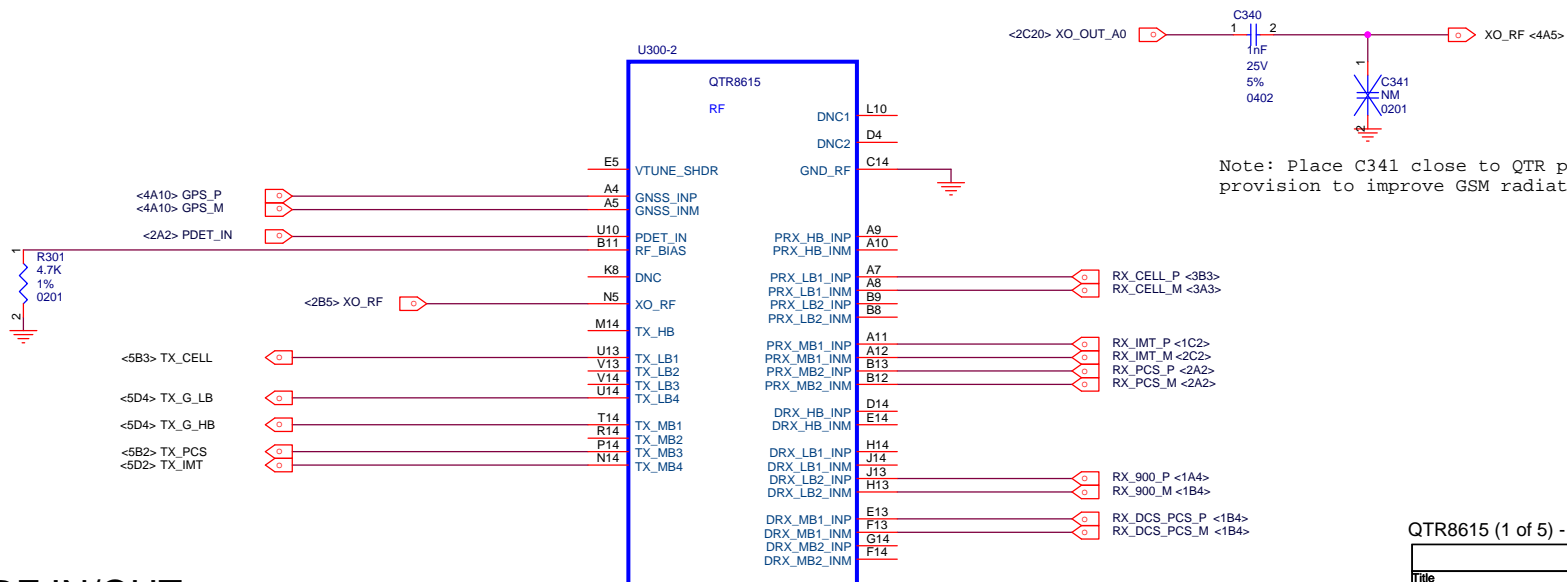
GSM QBAND LINEAR PA

POWER MODE	PAON_GSMLB	PAON_GSMHB	PA_R0	PA_R1
LB HIGH	H	L	L	L
LB MID POWER	H	L	L	H
LB LOW POWER	H	L	H	L
LB ULTRALOW POWER	H	L	H	H
HB HIGH	L	H	L	L
HB LOW POWER	L	H	H	L
HB ULTRA LOW POWER	L	H	H	H
POWER DOWN	L	L	X	X

Note: PRX_CLK and GNSS_DRX_CLK are not used; leave them unconnected.
 JAM_DET is for CDMA designs; leave it unconnected for non-CDMA designs.
 RX_ON is for LTE only; connected it to GND for non-LTE designs.



Note: VTUNE_SHDR is for CDMA SHDR only, leave it unconnected for designs not supporting SHDR.

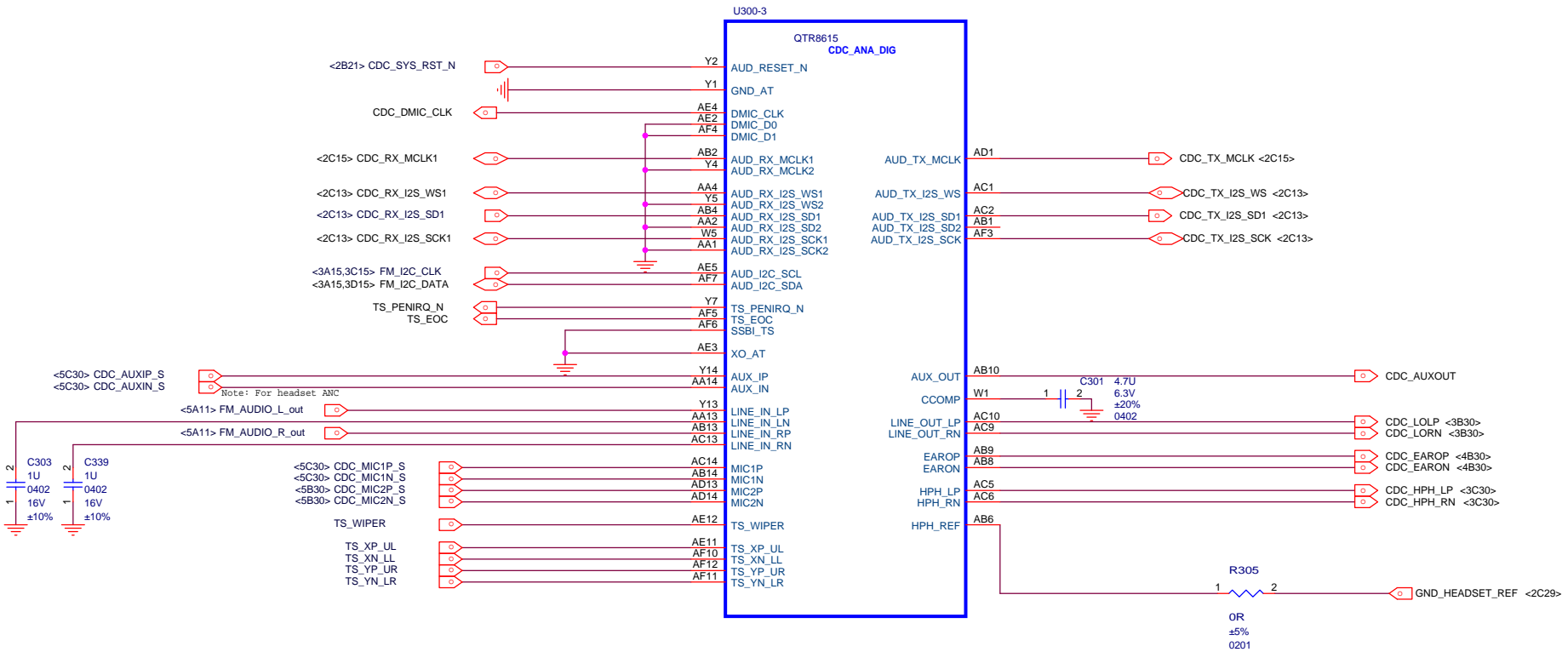


QTR8615 RF IN/OUT

QTR8615 (1 of 5) - RF IN/OUT

XIAO MI		
Title	MI-ONE	
Size	Document Number	Rev
A3	QTR8615 RF IN/OUT	C
Date:	Friday, November 04, 2011	Sheet 5 of 31

QTR8615 CODEC IN/OUT



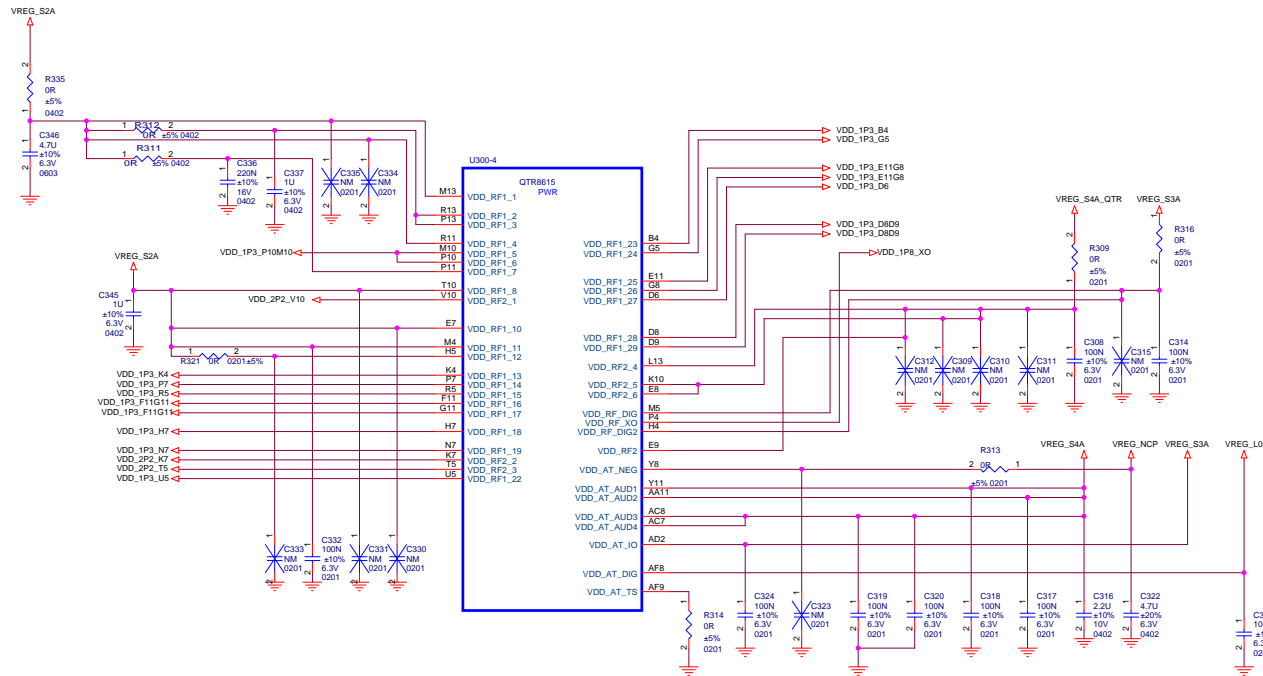
Notes:
 Schematic has capless mode by default. Rev C
 For Class D HPH mode, install L613, L620, C811, C834; and DNI R712, R713.
 Class AB capacitor-coupled mode is the only mode supported in Engineering Samples1.
 In Engineering Samples2, all HPH modes are supported: Class AB (capless and capacitor-coupled)
 and Class D capacitor-coupled.

QTR8615 (2 of 5) - CODEC IN/OUT

XIAO MI		
Title MI-ONE		
Size A3	Document Number QTR8615 CODEC IN/OUT	Rev C
Date: Friday, November 04, 2011	Sheet 6	of 31

QTR8615 POWER GRID

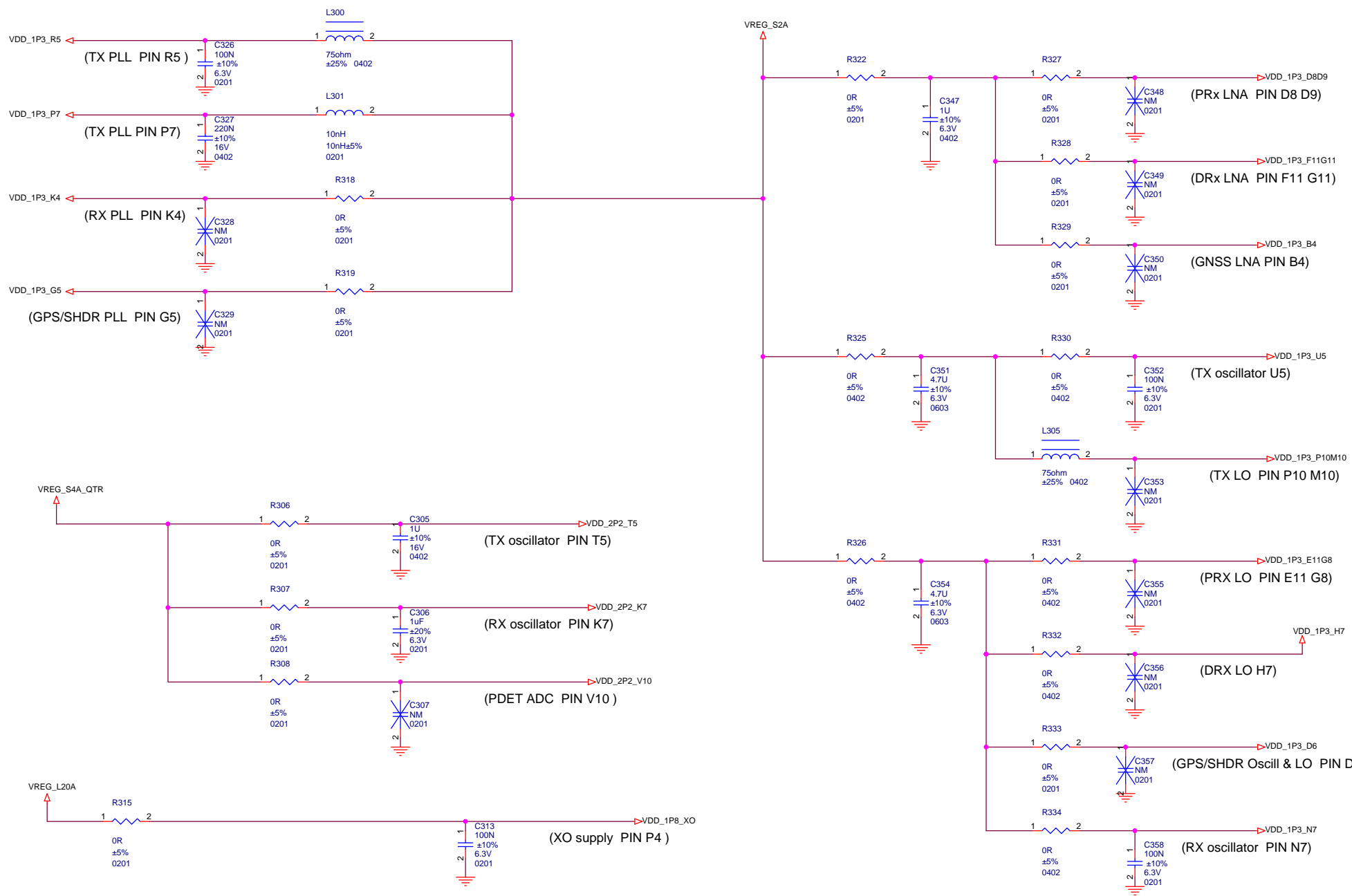
(PRX BB Mode control PIN E7)
 (PDET ADC PIN T10)
 (Rx/Tx/SBI Digital PIN M4)
 (SHDR/GPS Digital PIN H5)
 (Pre Driver Amplifier PIN R11)
 (Pre Driver Amplifier PIN M13)
 (TX Mixer PIN P11)
 (Driver Amplifier PIN P13)



(DRx BB filter PIN K10)
 (PRx BB filter PIN E8)
 (TX BB filter PIN L13)
 (Analog Master Bias PIN E9)
 (DIG IO PIN M5)
 (GNSS DIG IO PIN H4)

Note:
 -Schematic has capless mode by default.
 -For Class D and Class AB cap coupled mode:
 DNI C1590, and R1599; and change C1640 to 0 ohm to tie QTR VDD_AT_NEG pin to ground.

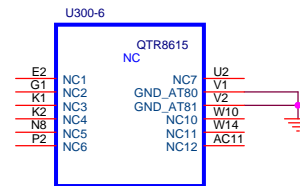
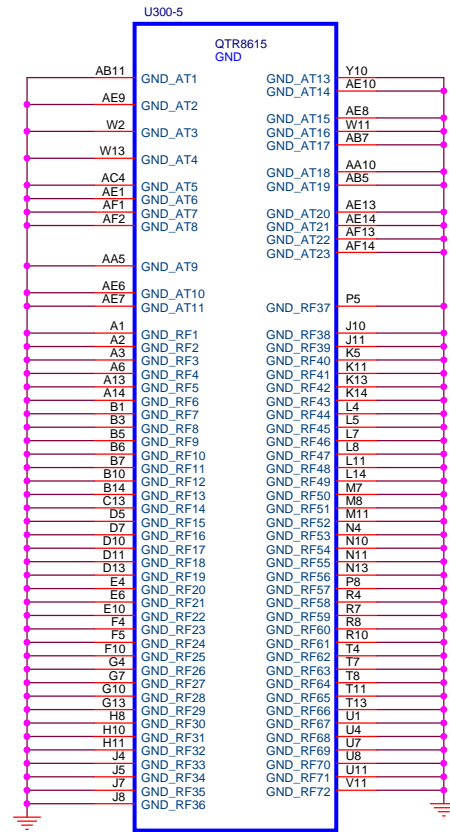
QTR8615 (3 of 5) - POWER			
XIAO MI			
File	MI-ONE		
Size	Document Number		Rev
A2	QTR8615 POWER		C
Date:	Friday, November 04, 2011	Sheet	7 of 31



QTR8615 (4 of 5) - POWER DECOUPLE

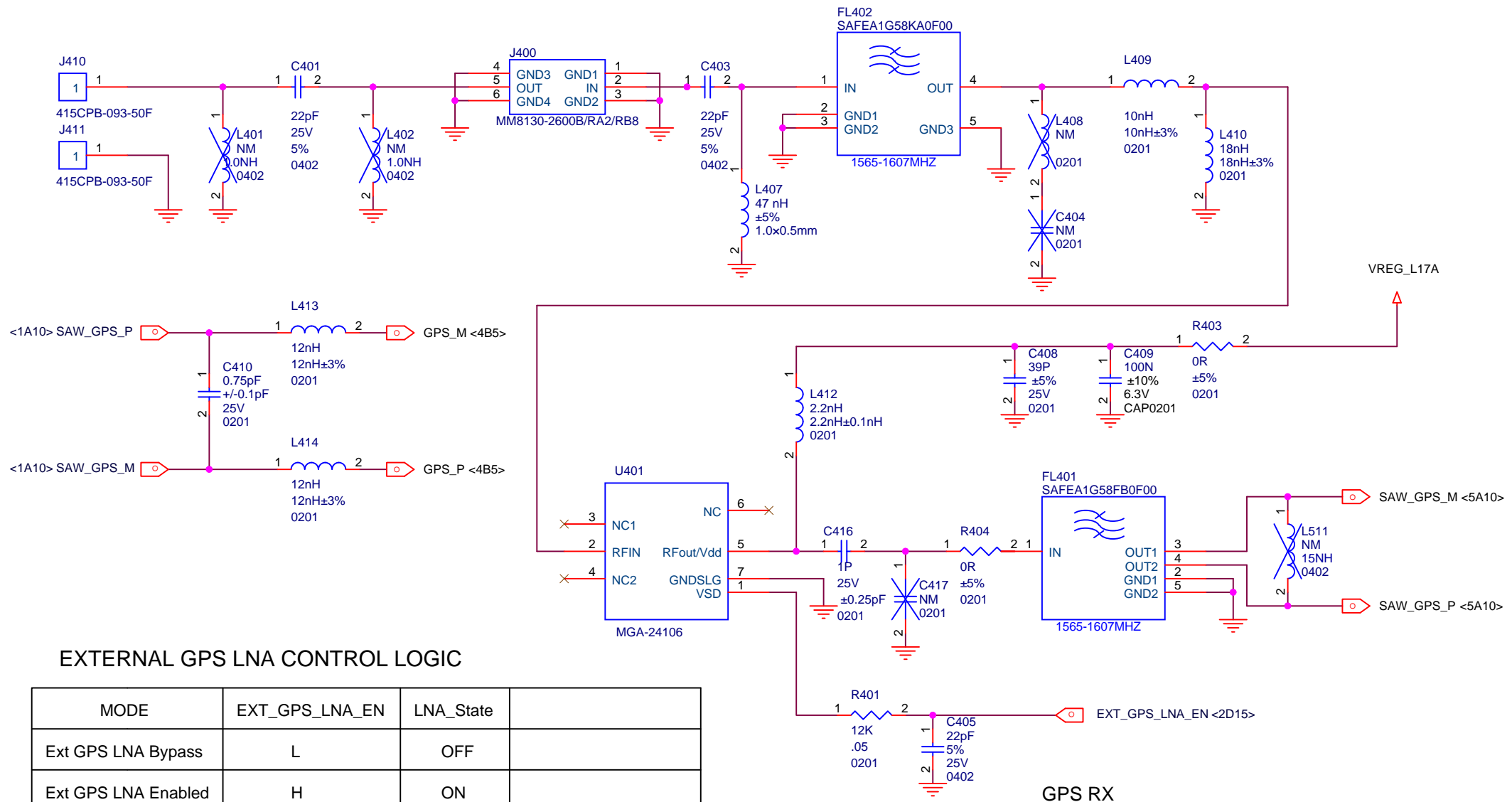
XIAO MI			
Title	MI-ONE		
Size	Document Number		Rev
A3	QTR8615 POWER DECOUPLE		C
Date:	Friday, November 04, 2011	Sheet	8 of 31

QTR8615 GND



QTR8615 (5 of 5) - GND

XIAO MI		
Title MI-ONE		
Size A3	Document Number QTR8615 GND	Rev C
Date: Friday, November 04, 2011	Sheet 9	of 31



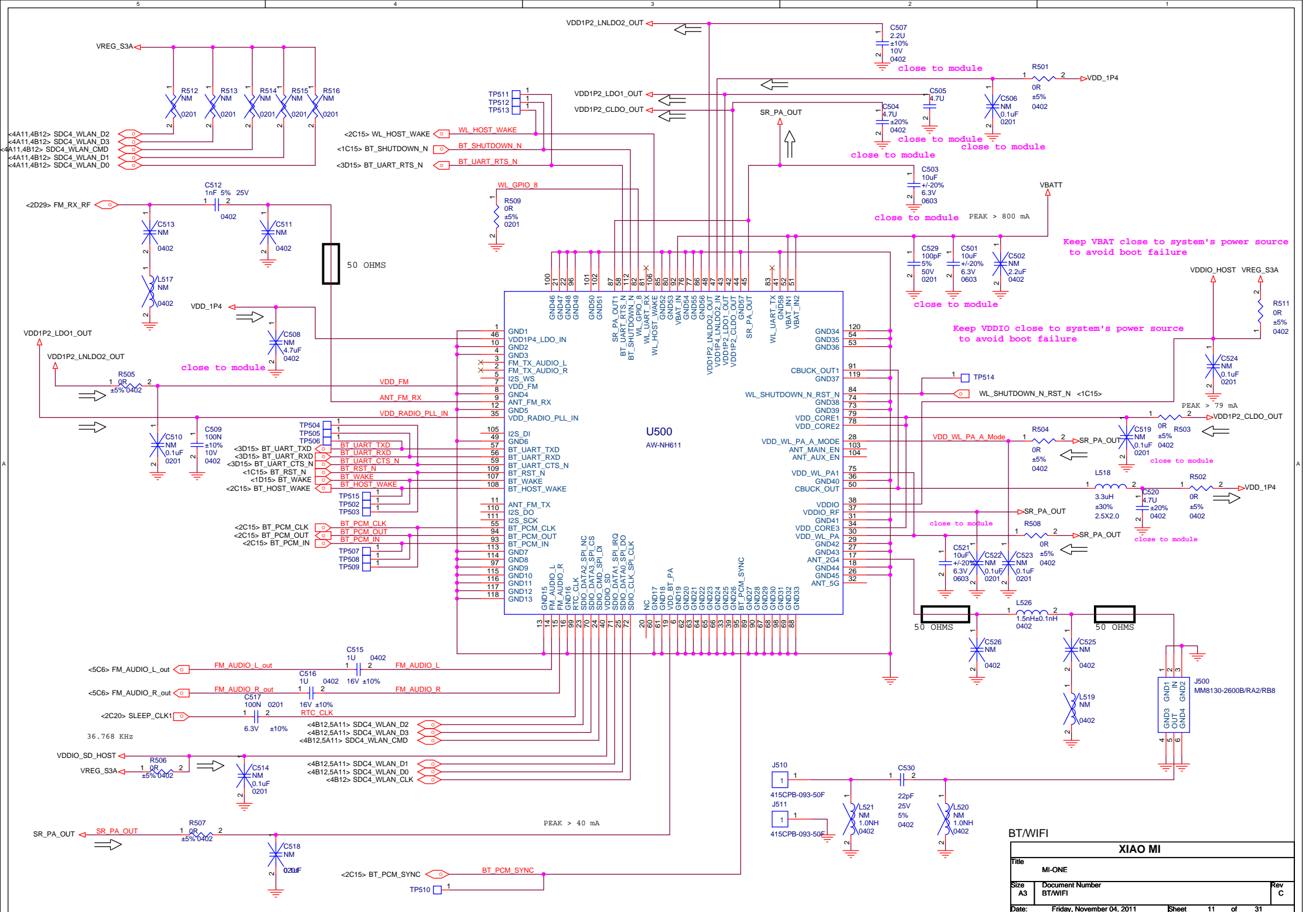
EXTERNAL GPS LNA CONTROL LOGIC

MODE	EXT_GPS_LNA_EN	LNA_State	
Ext GPS LNA Bypass	L	OFF	
Ext GPS LNA Enabled	H	ON	

GPS RX

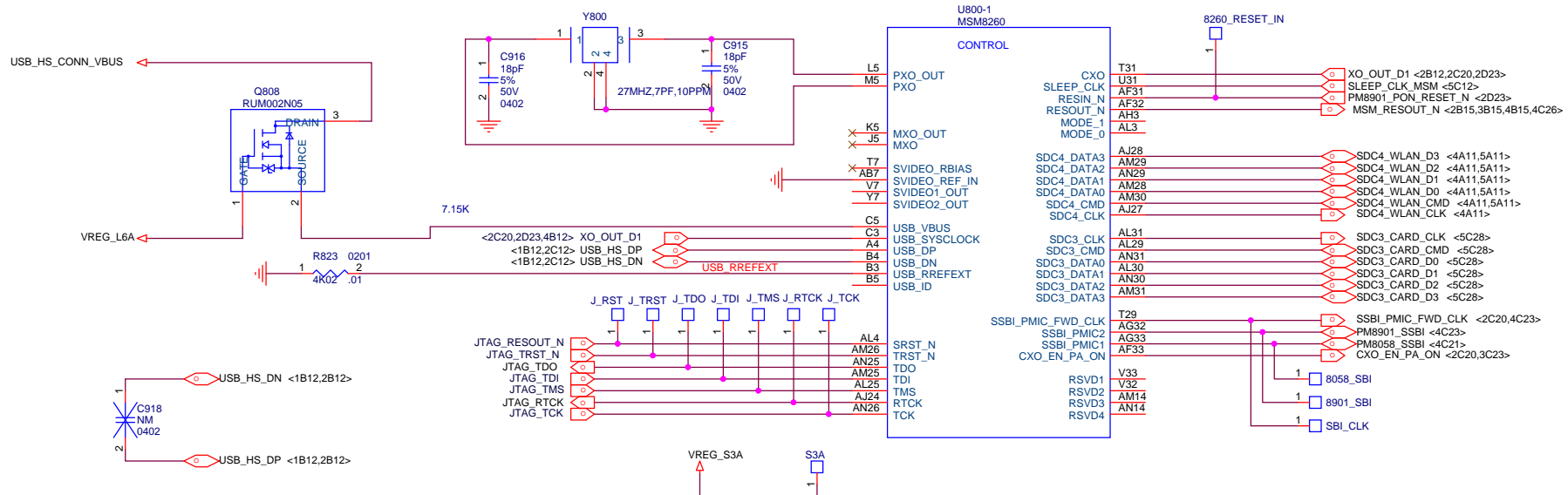
GPS RX

XIAO MI			
Title	MI-ONE		
Size	Document Number	Rev	
A4	GPS RX	C	
Date:	Friday, November 04, 2011	Sheet	10 of 31

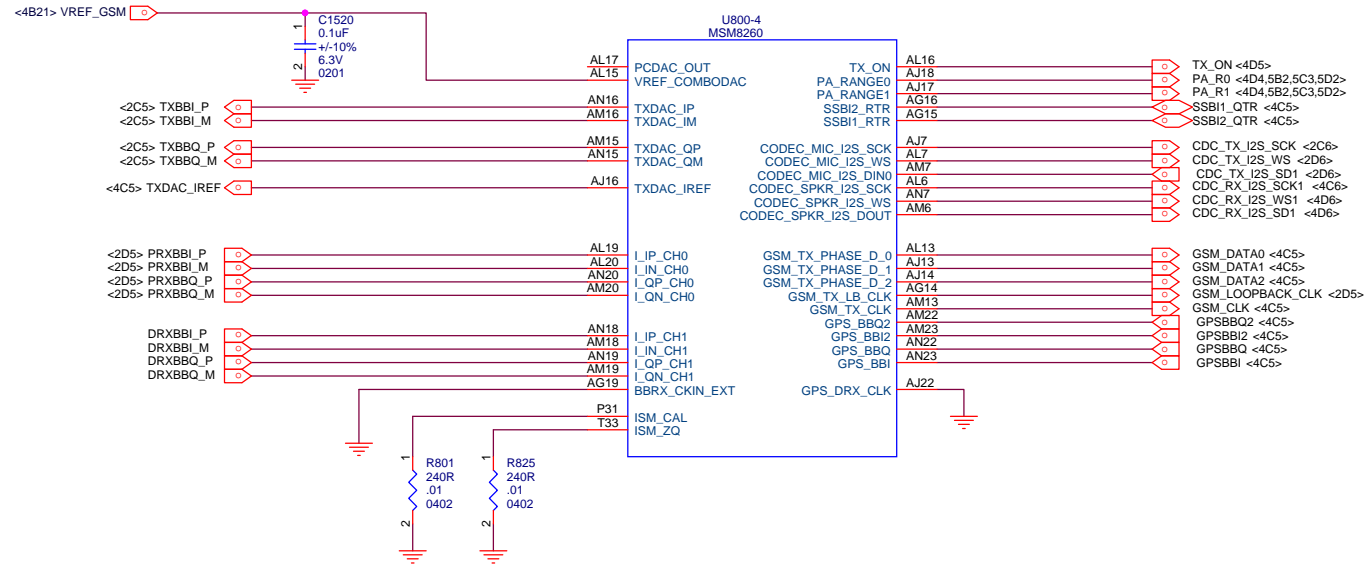


XIAO MI		
Title	MI-ONE	
Size	Document Number	Rev
A3	BT/WIFI	C
Date:	Friday, November 04, 2011	Sheet 11 of 31

MSM: CONTROL

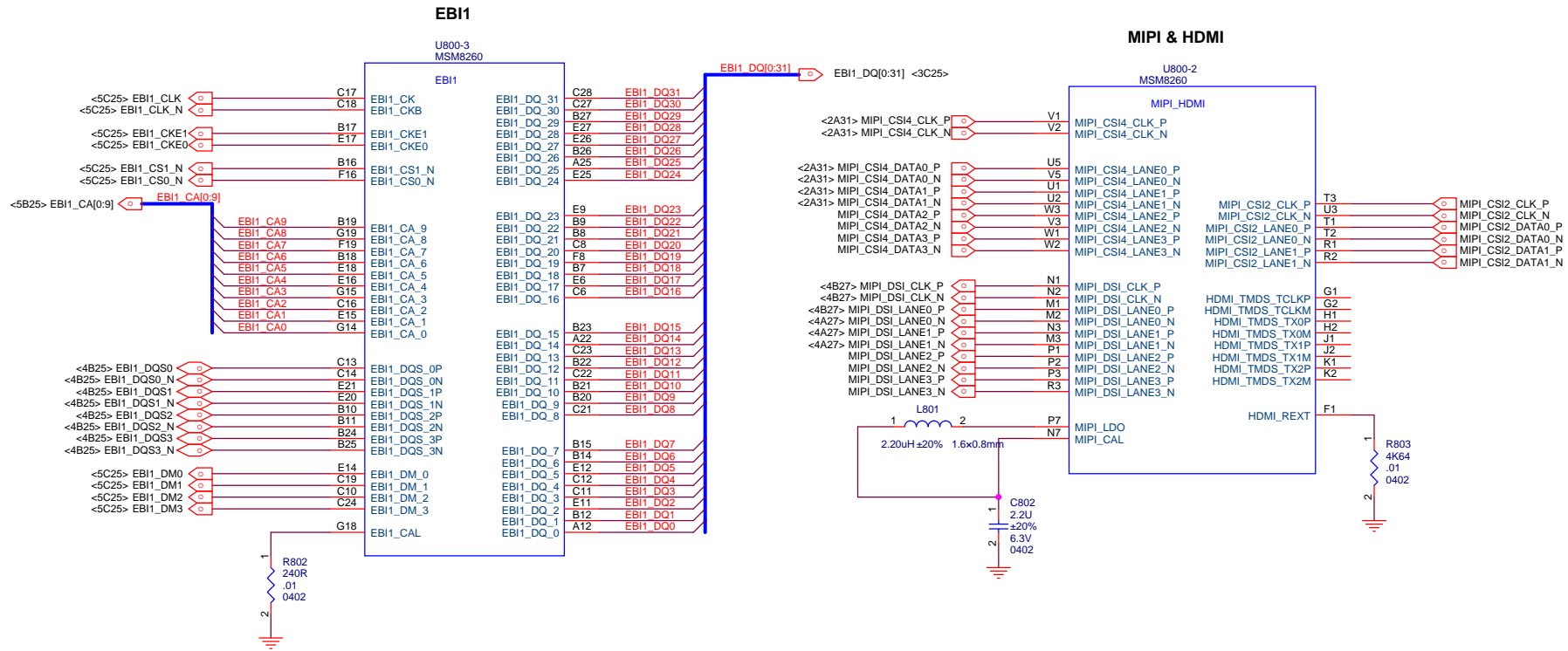


MSM: RF INTERFACE



MSM8660(2 OF 7)-QTR8615 CODEC

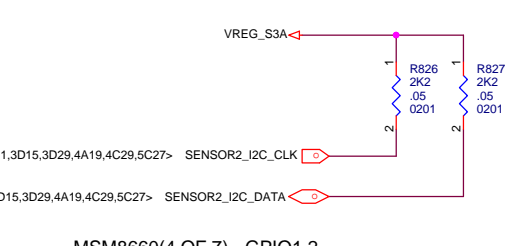
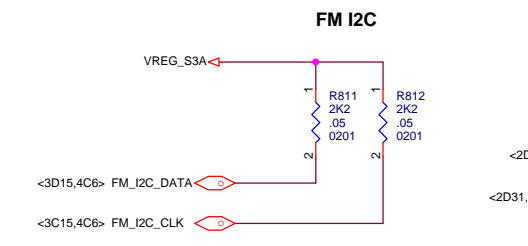
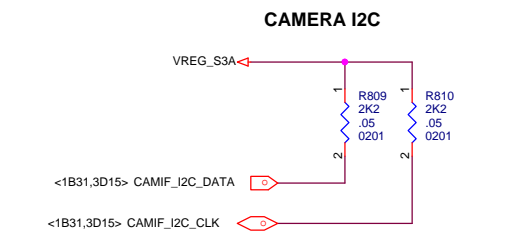
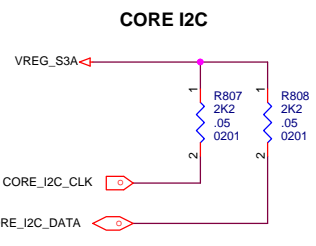
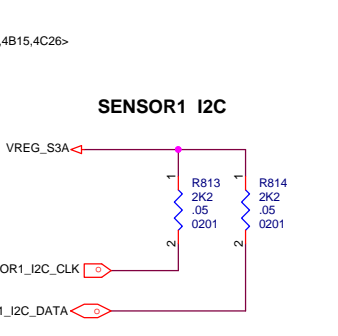
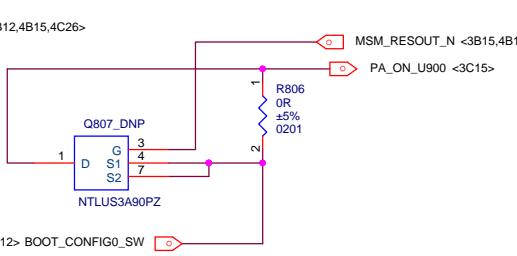
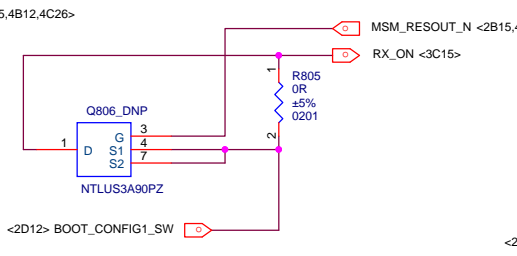
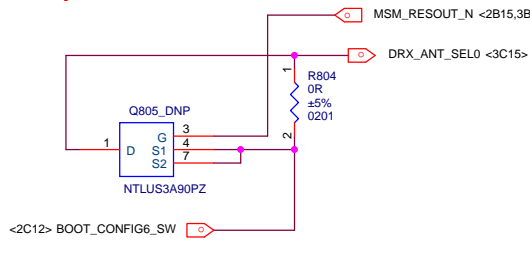
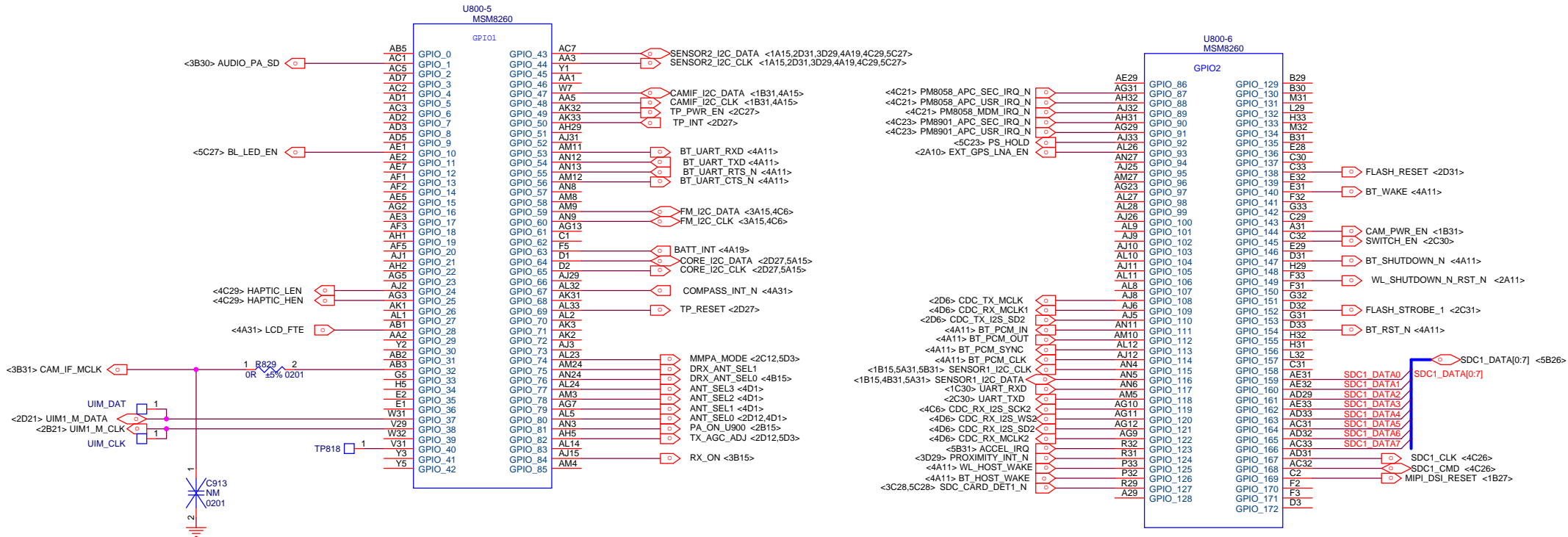
XIAO MI		
MI-ONE		
Size	Document Number	Rev
A3	MSM8660(2 OF 7)-QTR8615 CODEC	C
Date:	Friday, November 04, 2011	Sheet 13 of 31



MSM8660(3 OF 7)-EB11 & HS SERIES

XIAO MI		
Title	MI-ONE	
Size	Document Number	Rev
A3	MSM8660(3 OF 7)-EB11 & HS SERIES	C
Date:	Friday, November 04, 2011	Sheet 14 of 31

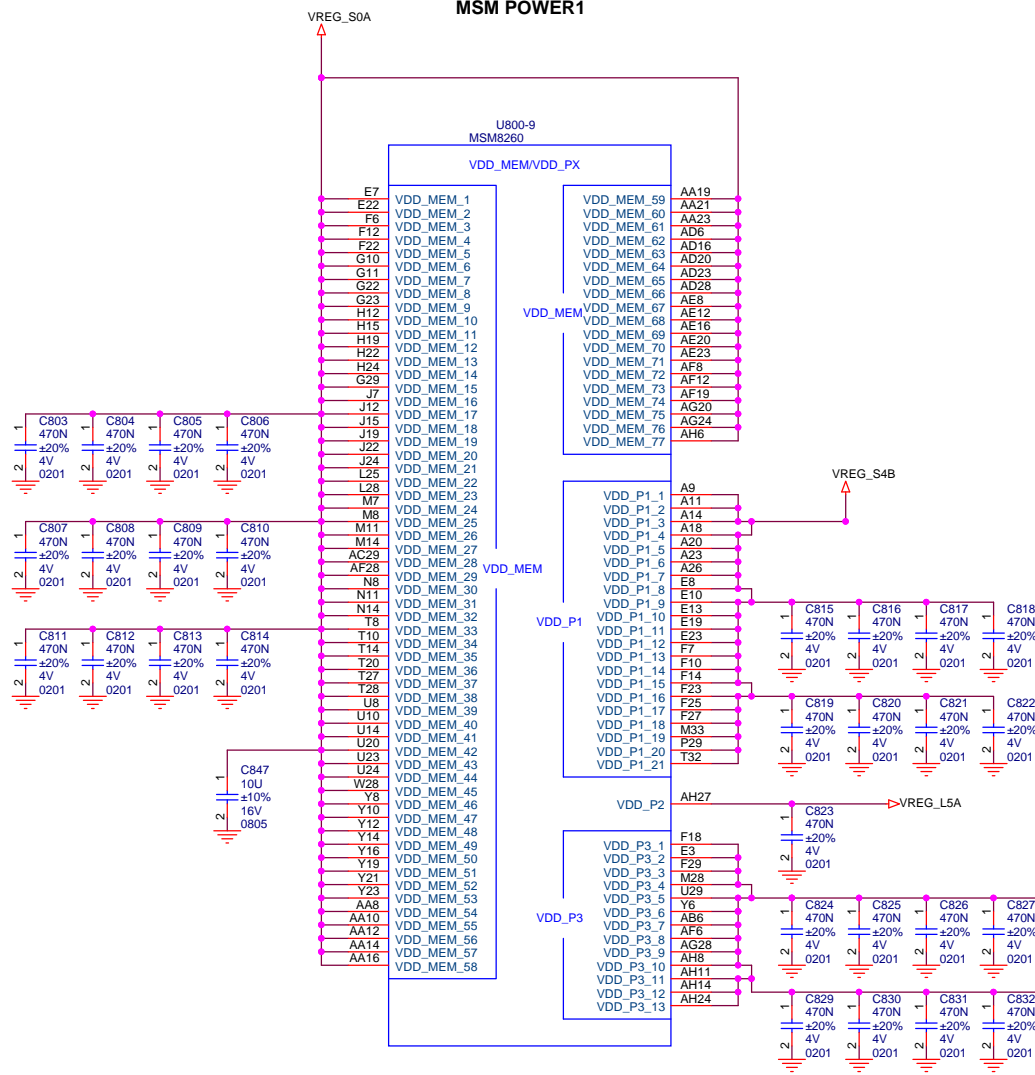
GPIO



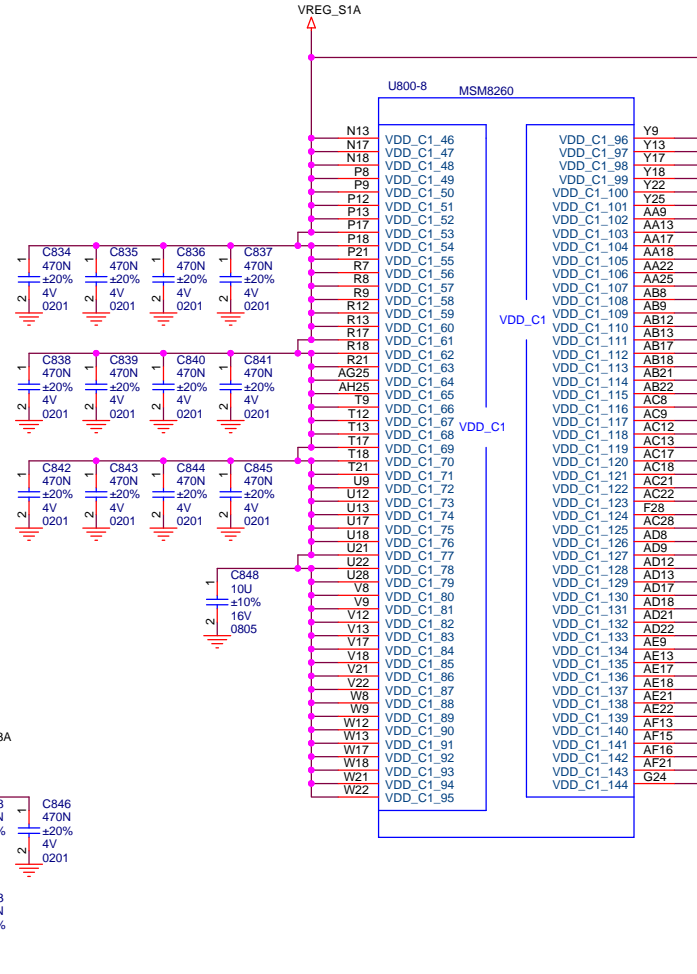
MSM8660(4 OF 7) - GPIO1,2

XIAO MI			
Title			
MI-ONE			
Size	Document Number		Rev
A3	MSM8660(4 OF 7) - GPIO1,2		C
Date:	Friday, November 04, 2011	Sheet	15 of 31

MSM POWER1



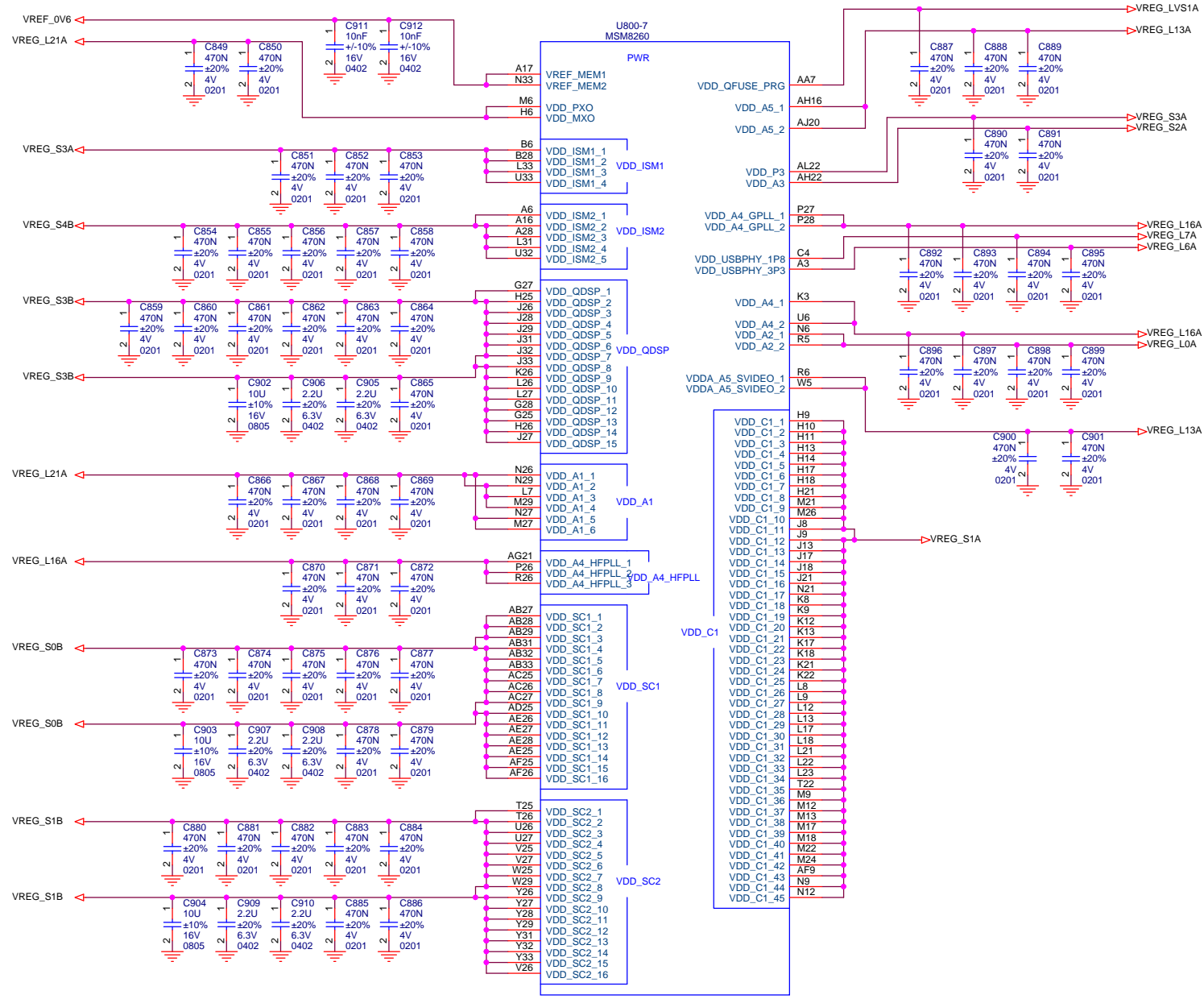
MSM POWER2



MSM8660(5 OF 7) - POWER1,2

XIAO MI		
MI-ONE		
Title		
Size	Document Number	Rev
A3	MSM8660(5 OF 7) - POWER1,2	C
Date:	Friday, November 04, 2011	Sheet 16 of 31

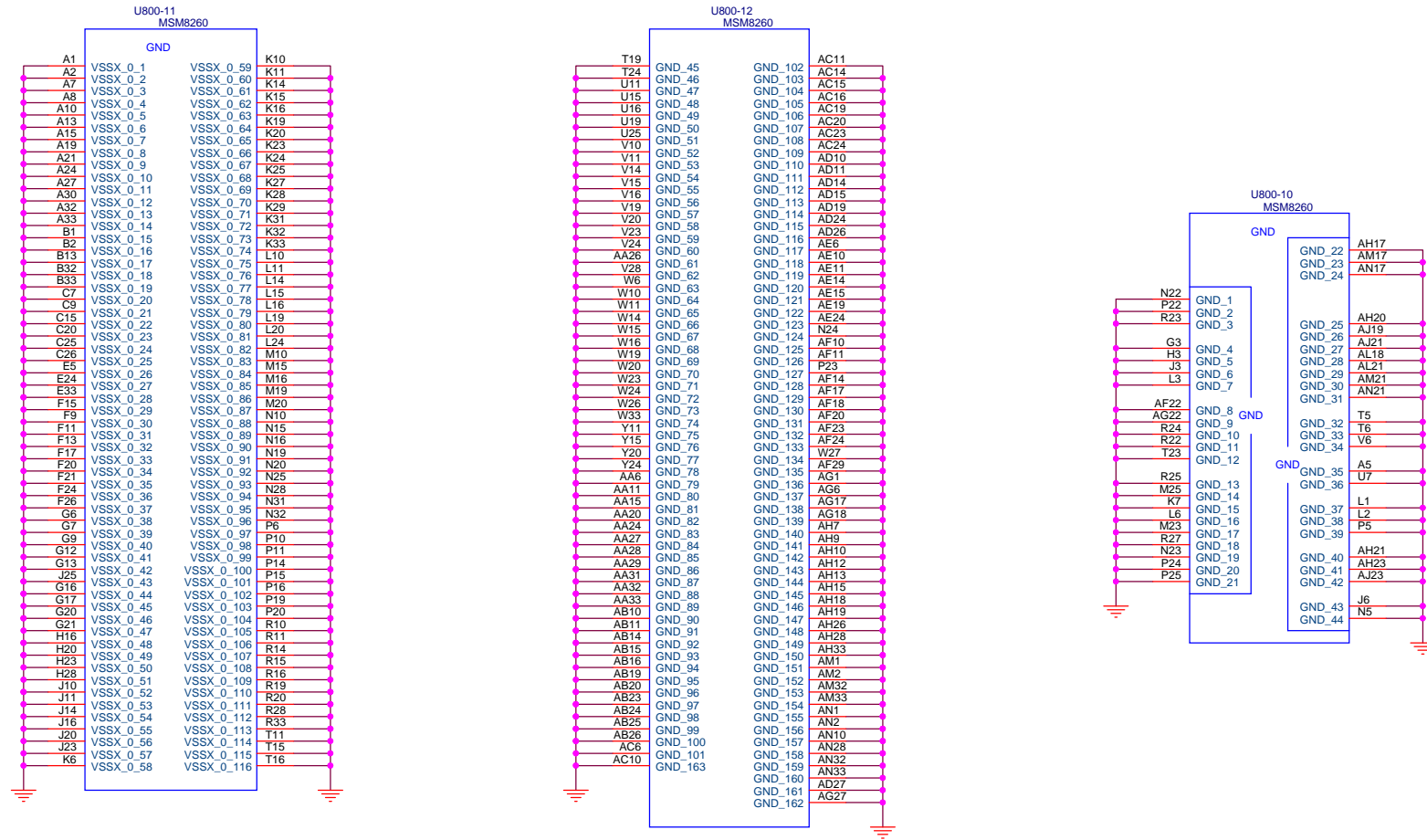
MSM POWER3



MSM8660(6 OF 7) - POWER3

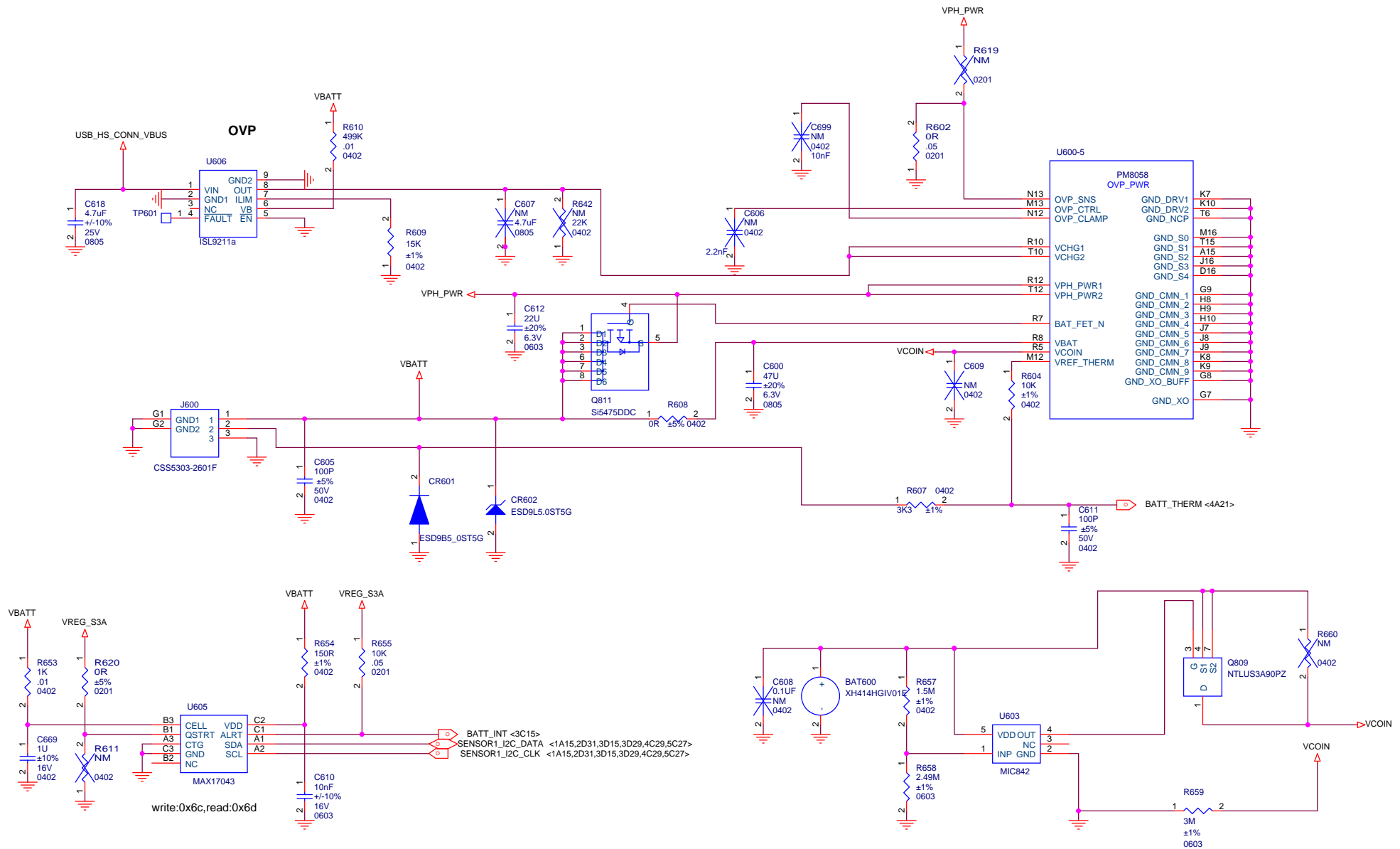
XIAO MI			
Title	MI-ONE		
Size	Document Number	MSM8660(6 OF 7) - POWER3	Rev C
Date:	Friday, November 04, 2011	Sheet	17 of 31

MSM GROUND



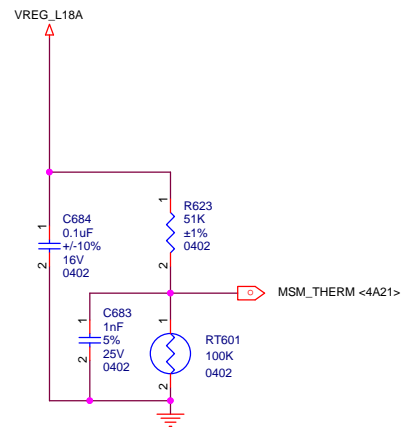
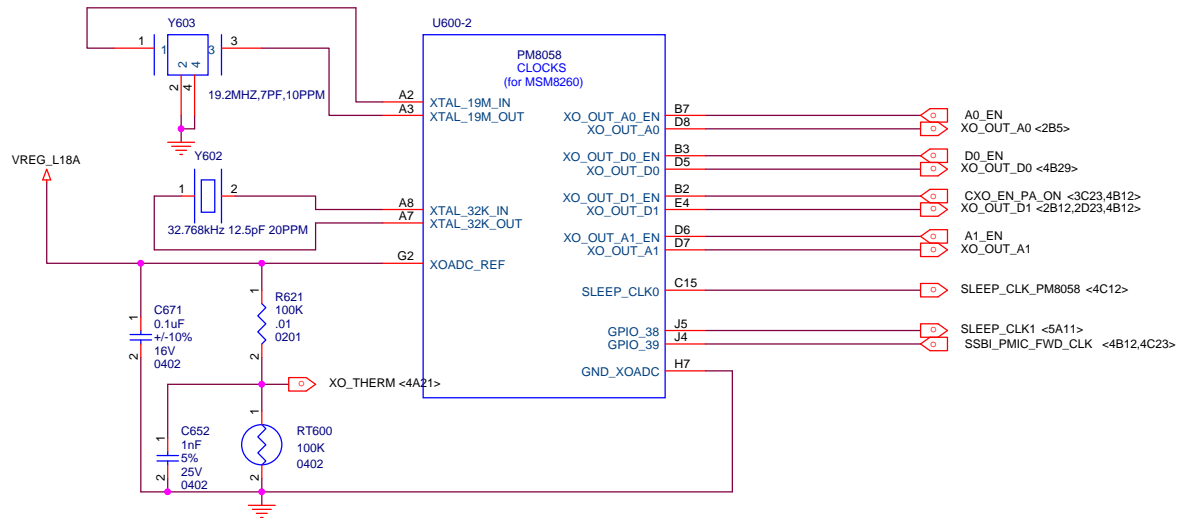
MSM8660(7 OF 7) - GND

XIAO MI			
Title			
MI-ONE			
Size	Document Number		Rev
A3	MSM8660(7 OF 7) - GND		C
Date:	Friday, November 04, 2011	Sheet	18 of 31



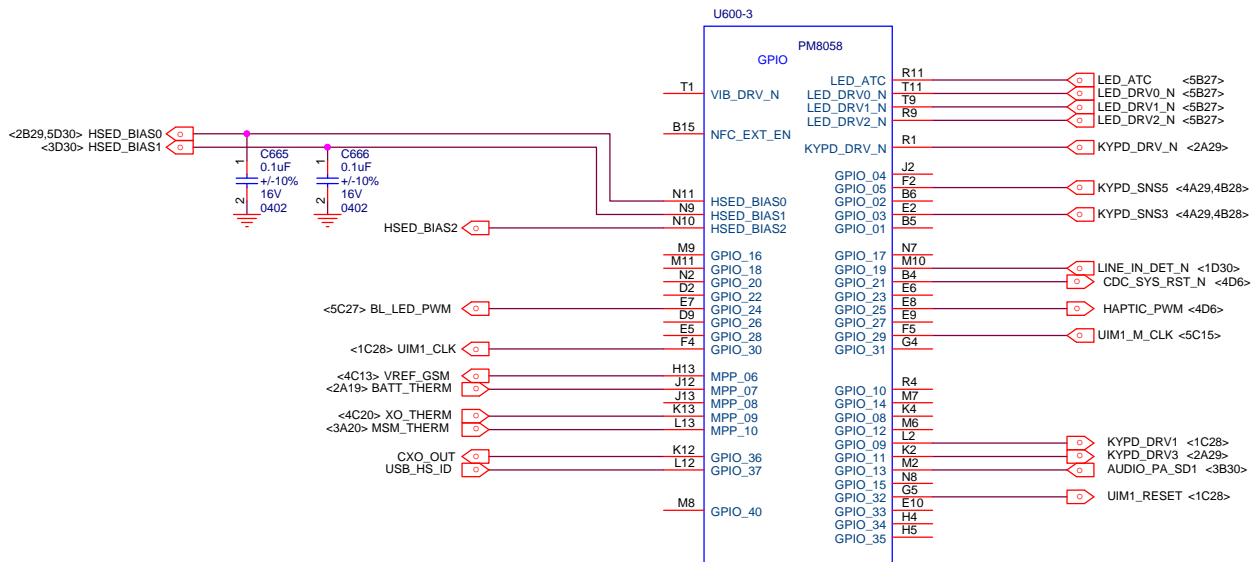
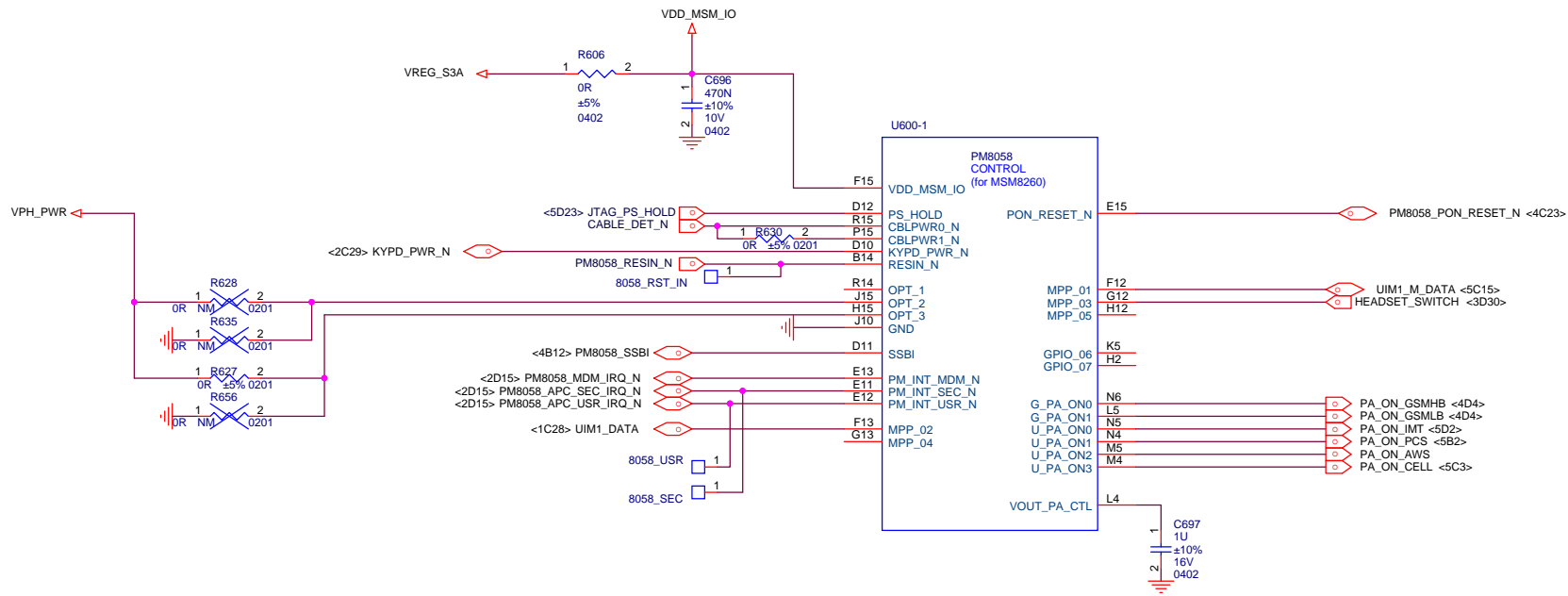
PM8058 (1 OF 4) - OVP & CHARGER

XIAO MI		
MI-ONE		
Size	Document Number	Rev
A3	PM8058 (1 OF 4) - OVP & CHARGER	C
Date:	Friday, November 04, 2011	Sheet 19 of 31



PM8058 (2 OF 4) - CLOCK

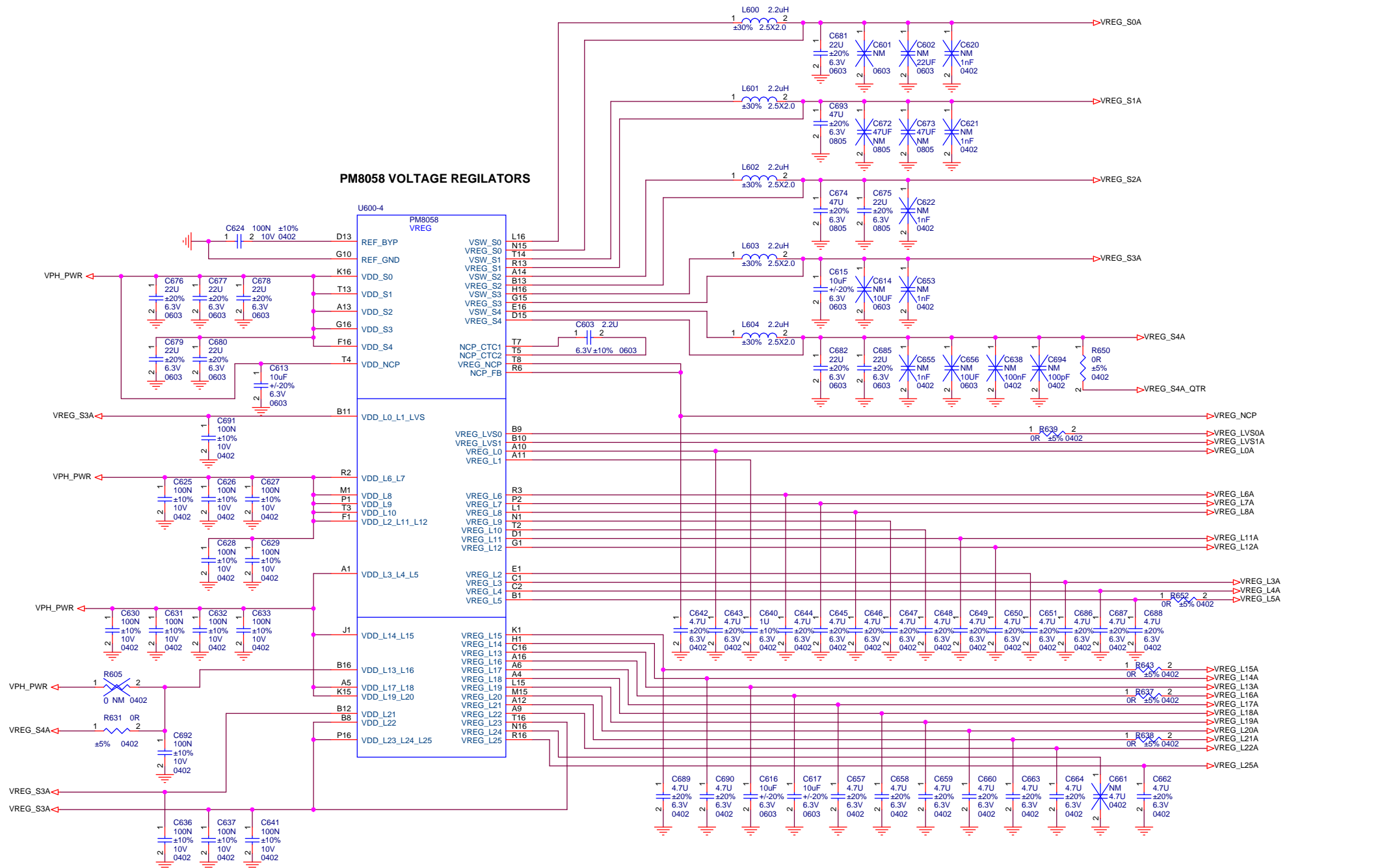
XIAO MI		
MI-ONE		
Size A3	Document Number PM8058 (2 OF 4) - CLOCK	Rev C
Date:	Friday, November 04, 2011	Sheet 20 of 31



PM8058 (3 OF 4) - CONTROL & GPIO

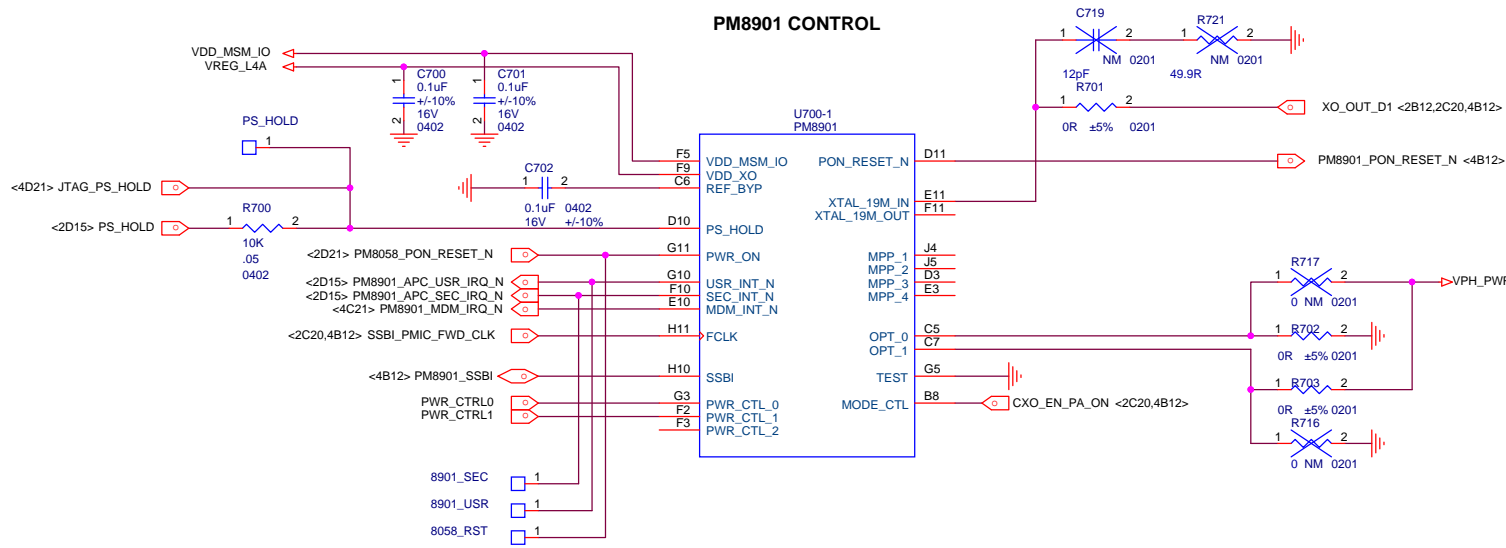
XIAO MI		
Title	MI-ONE	
Size	Document Number	Rev
A3	PM8058 (3 OF 4) - CONTROL & GPIO	C
Date:	Friday, November 04, 2011	Sheet 21 of 31

PM8058 VOLTAGE REGULATORS

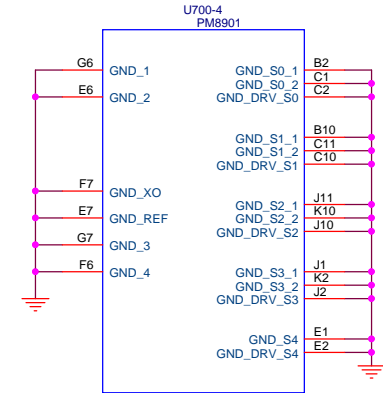


PM8058(4 OF 4) - VREGS		
Title	XIAO MI	
MI-ONE		
Size	Document Number	Rev
A3	PM8058(4 OF 4) - VREGS	C
Date:	Friday, November 04, 2011	Sheet 22 of 31

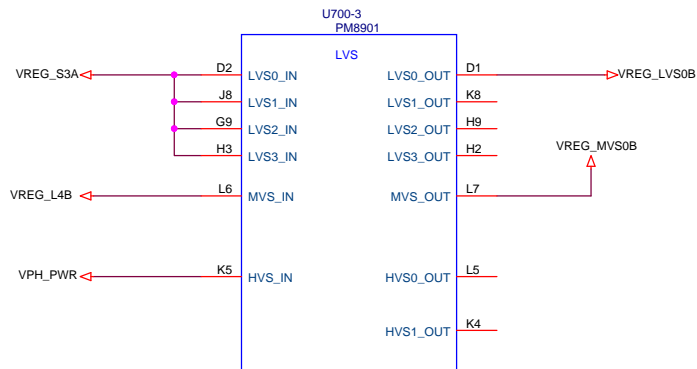
PM8901 CONTROL



PM8901 GND

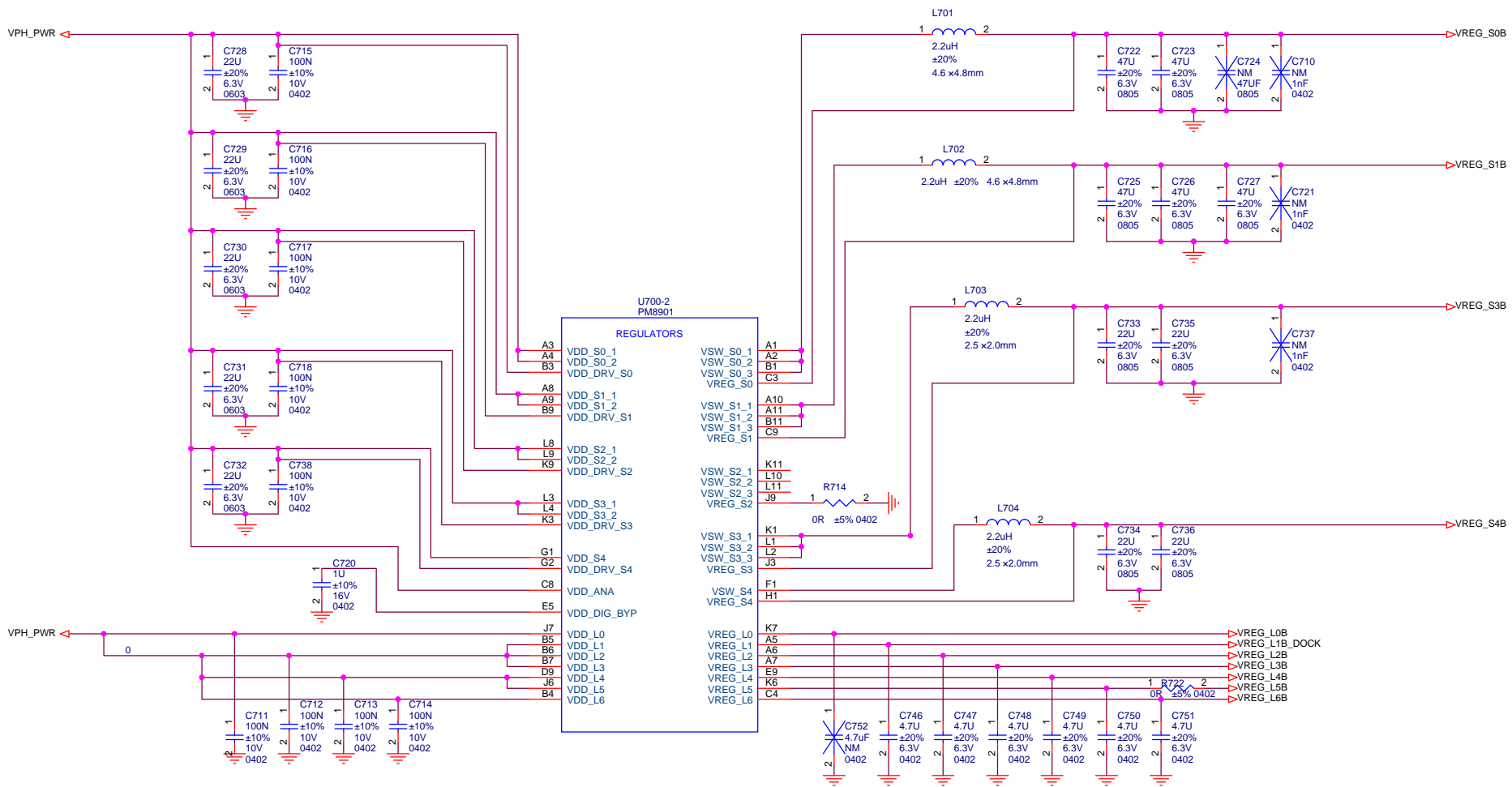


PM8901 SWITCHES



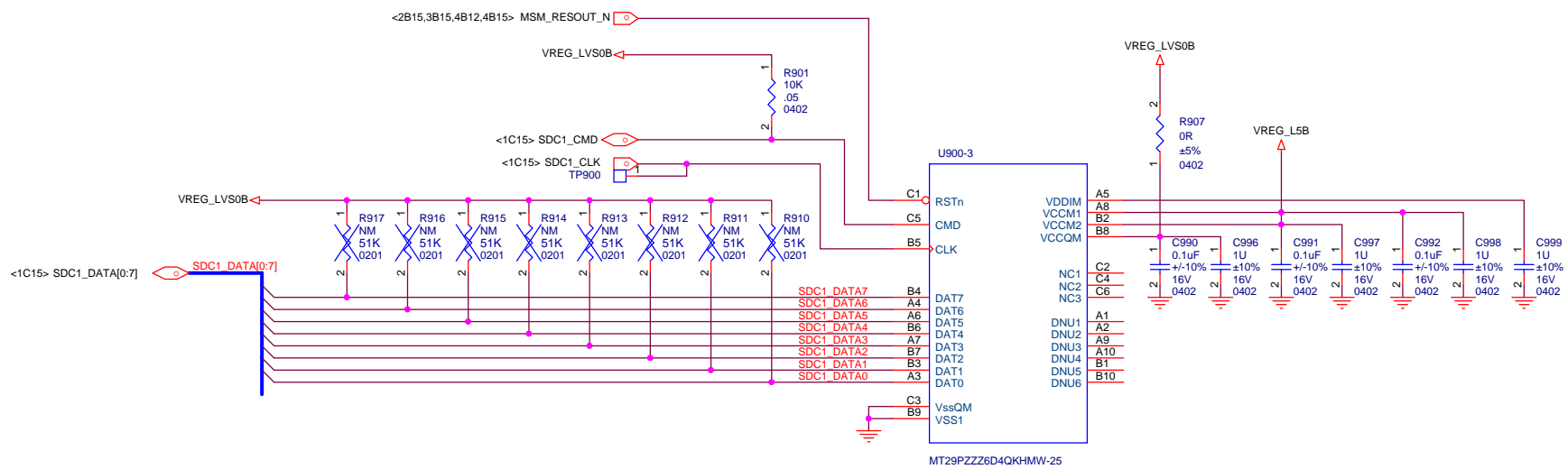
PM8901 (1 OF 2) - CONTROL

XIAO MI		
Title MI-ONE		
Size A3	Document Number PM8901 (1 OF 2) - CONTROL	Rev C
Date: Friday, November 04, 2011	Sheet 23	of 31



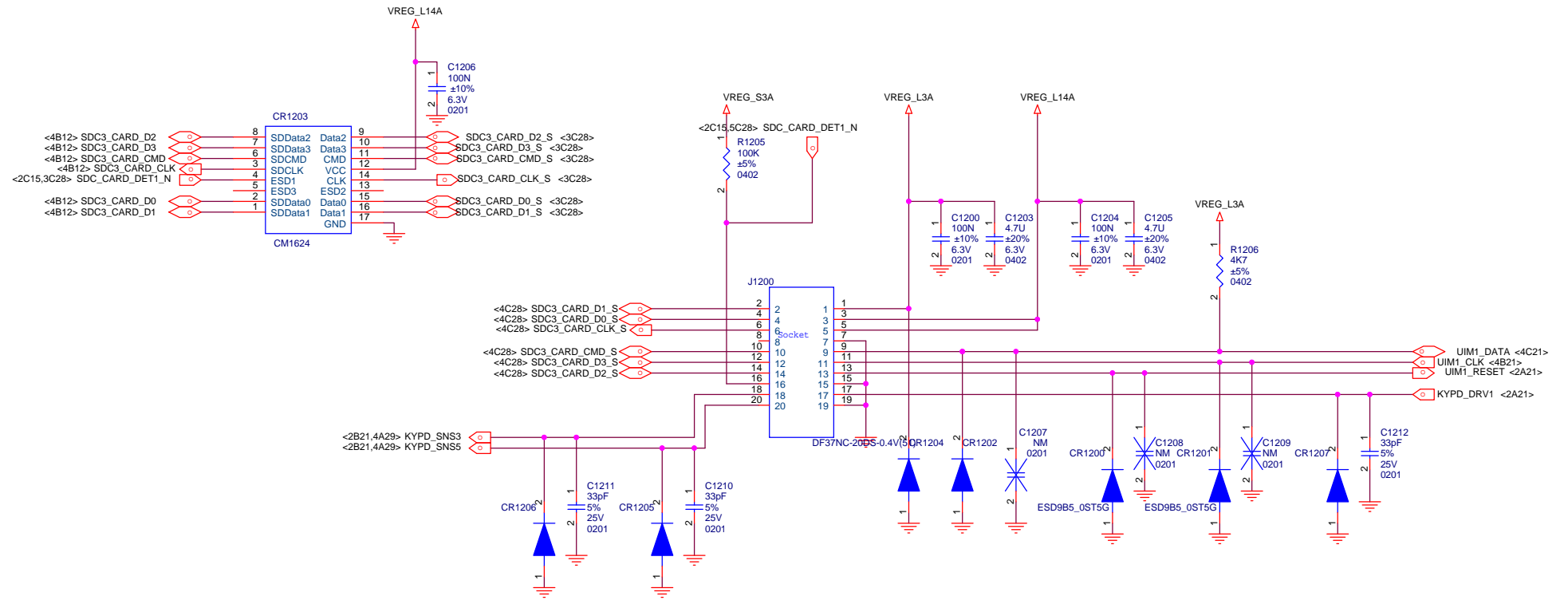
PM8901 (2 OF 2) - VREGS

XIAO MI		
MI-ONE		
Size	Document Number	Rev
A3	PM8901 (2 OF 2) - VREGS	C
Date:	Friday, November 04, 2011	Sheet 24 of 31



MEMORY EMMC

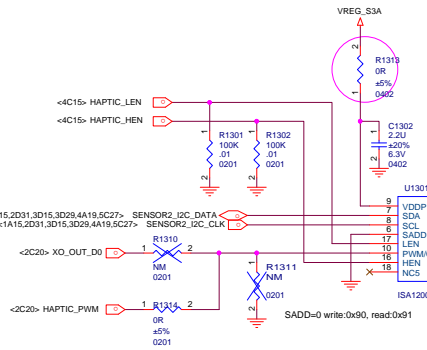
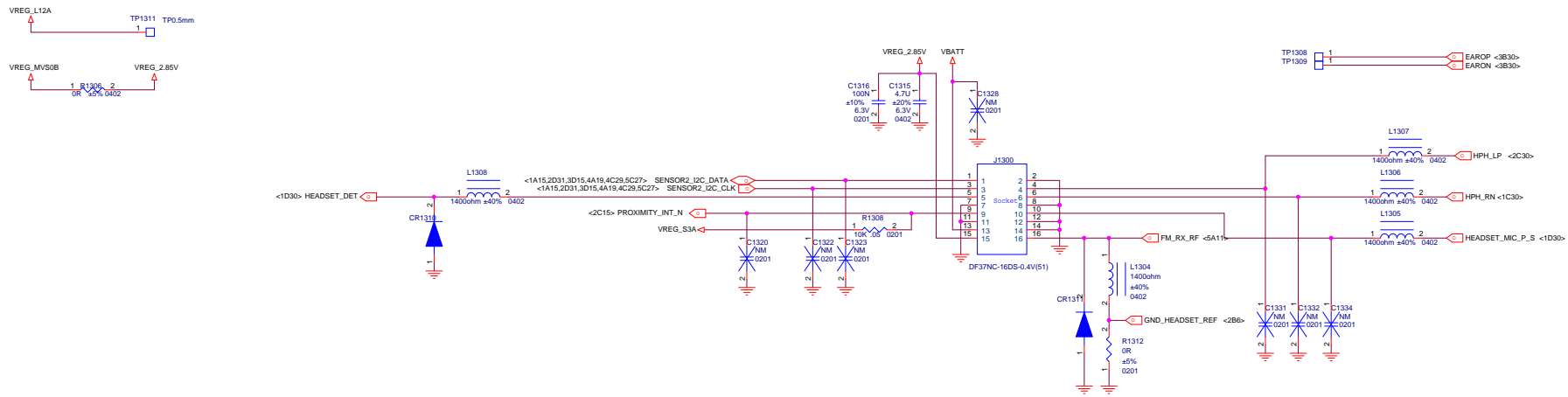
XIAO MI		
Title MI-ONE		
Size A3	Document Number MEMORY EMMC	Rev C
Date: Friday, November 04, 2011	Sheet 26 of 31	



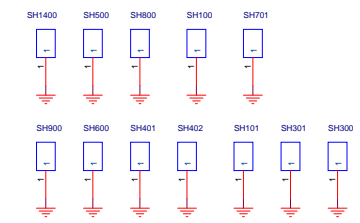
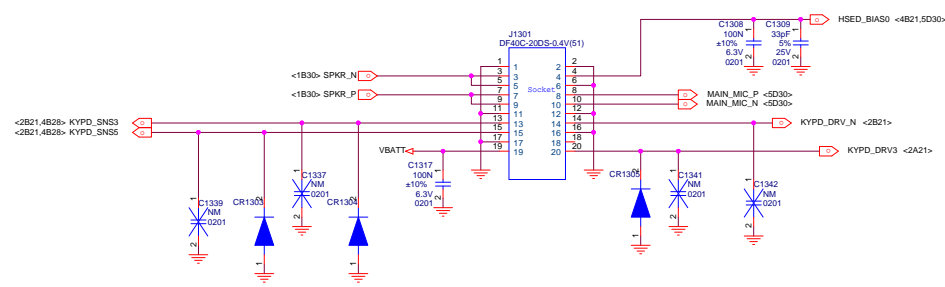
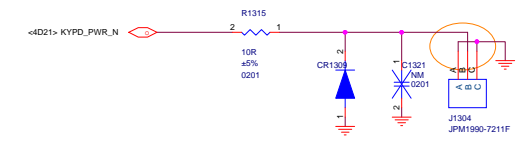
SD&SIM CONNECTOR

XIAO MI

Title			MI-ONE
Size	Document Number		Rev
A3	SD&SIM CONNECTOR		C
Date:	Friday, November 04, 2011	Sheet	28 of 31

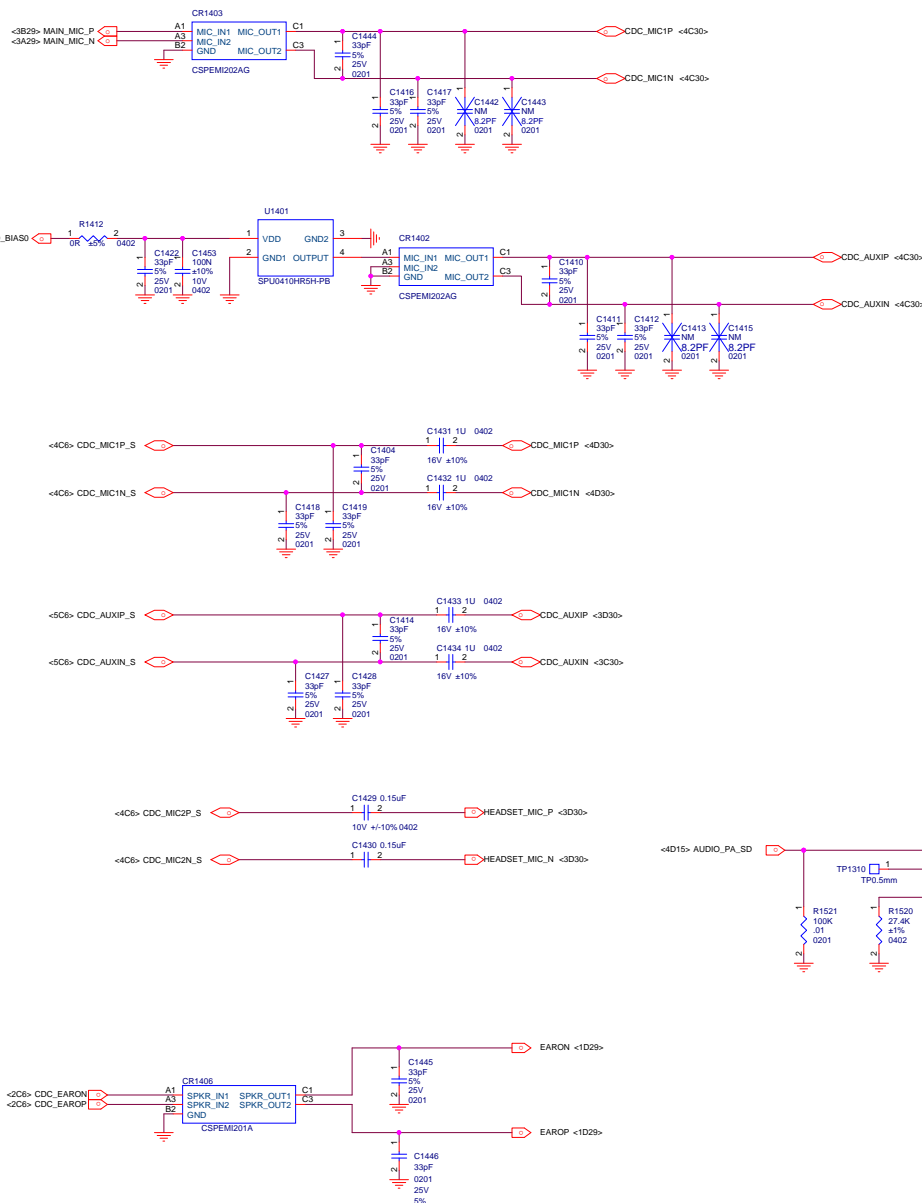


Haptic

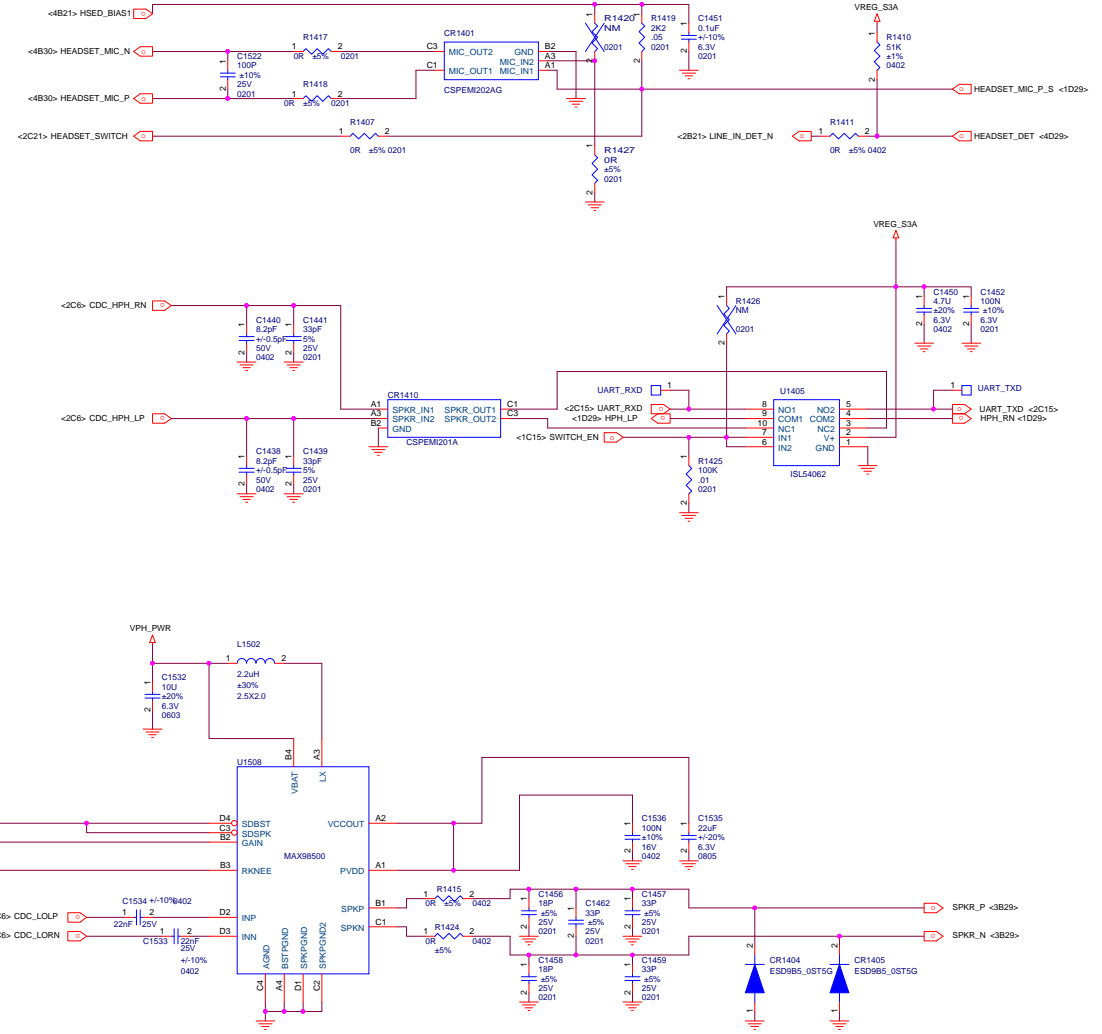


CONNECTORS			
XIAO MI			
File	MI-ONE		
Size	Document Number	Rev	
A2	CONNECTORS	C	
Date:	Friday, November 04, 2011	Sheet	29 of 31

MIC



HEADSET JACK



AUDIO			
XIAO MI			
File	MI-ONE		
Size	Document Number	Rev	
A2	AUDIO	C	
Date:	Friday, November 04, 2011	Sheet	30 of 31

